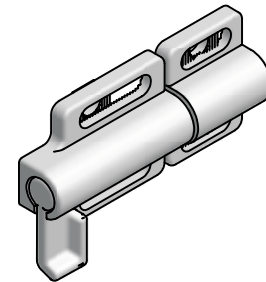
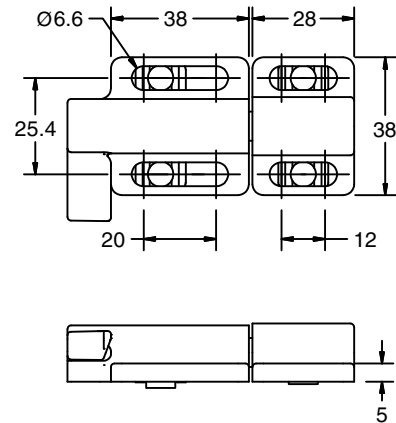


Deadbolt



23-160



Application

Designed to secure doors using a spring loaded latch mechanism. Combine with a door stop for an effective latching solution.

Technical Data

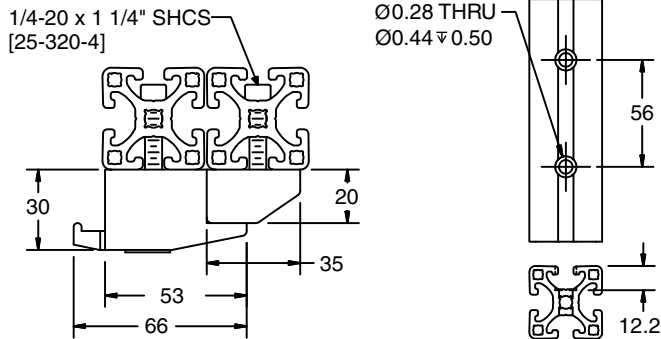
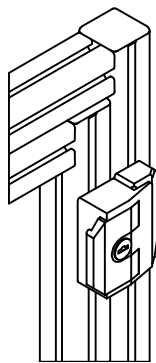
Die-Cast Zinc, Clear

Recommended Hardware (order separately)

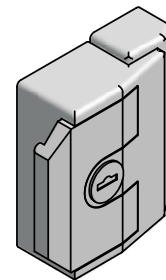
Profile Series	Screws (4)	T-Nut (4)
40	24-116-6	20-056
28/30	25-108-4	25-031
1.5"	25-110-4	25-001, 20-083 or 20-193
1"	25-108-4	25-031, 25-034 or 25-036

Ordering Information

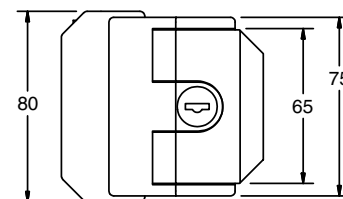
Series	Description	Unit	Weight	Part #
40, 30 & 28	Dead Bolt Latch	Each	9 g	23-160



Slam Latch



**23-155
 23-156**



Application

High strength latch designed to securely close door to the frame. An optional key locking version is available for extra security.

Technical Data

Die-Cast Zinc, Black

Recommended Fastening Hardware (Order Separately): 25-320-4

Ordering Information

Description	Unit	Weight	Part #
Slam Latch - Locking*	Each	1.25 lb	23-155
Slam Latch - Non-Locking	Each	1.25 lb	23-156

*All locks come keyed alike; special keying options available as special order.

