

# Direct Mount NAMUR

3/2, 3-Way — 5/2, 4-Way

Direct Acting and Pilot Operated Valves

1/4" - 1/2" NPT



## General Description:

The NAMUR mounting interface for direct mount pilot valves has become widely popular around the world. Parker's Direct Mount NAMUR valves meet that global need and are supplied with the necessary mounting hardware and seals as standard to ensure proper mounting, interface sealing and valve function. These valves can be converted between 3-way and 4-way operation by using Parker's patented mounting conversion plate which is unique in the industry. (See Conversion Plate Kit on P. C22)

### Installation

Valves can be mounted in any position. The preferred orientation is with the coil vertical and upright

### Standard Materials of Construction

Please refer to page C22.

### Compatible Fluids

Lubricated Air and Inert Gases.

Use of non-lubricated gaseous media can affect valve life.

## Electrical Characteristics:

### Standard Voltages:

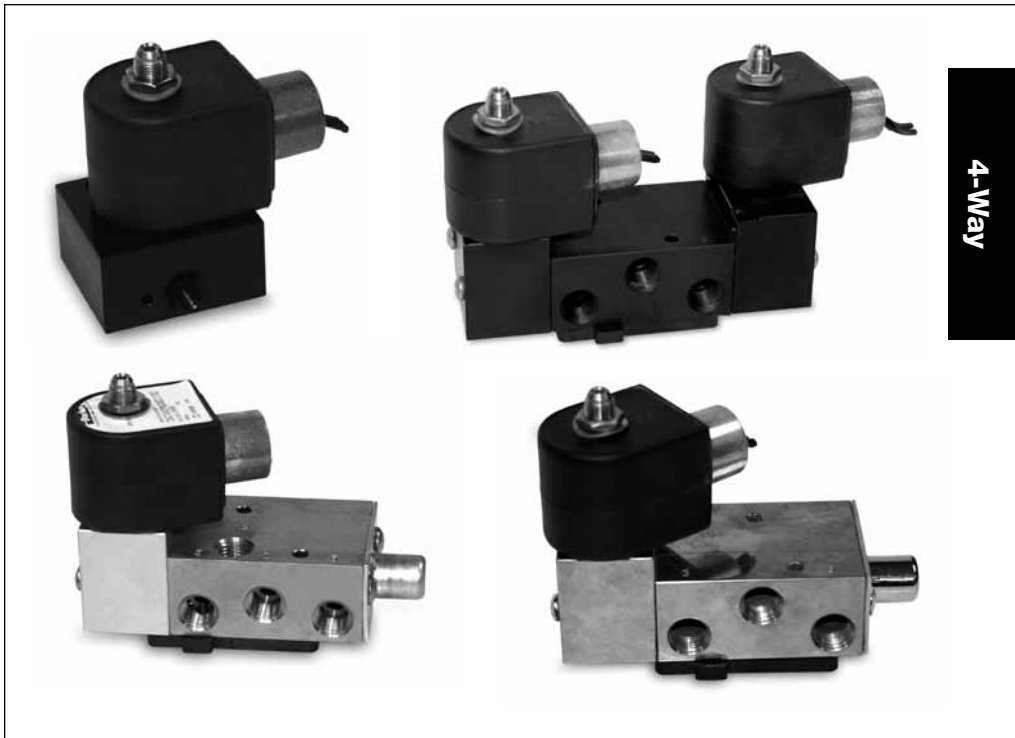
AC -24/60

120/60-110/50

240/60-220/50

DC -12, 24 & 120

For other voltages – consult factory



### Coil Classification:

Class F standard

Class H available

### Agency Approvals:

Standard valves with NEMA Type 4X or explosion proof solenoid enclosures are UL Listed and CSA Certified. For additional details, consult factory.

SIL-3 Capable (Models 73417xxx, 73477xxx). See certificate on page F20 in Technical Section of this catalog.

Please refer to page C22 for details.

### Minimum Ambient Temperature

-40° F (Dew point must be more than 7° F below ambient temp.)

### Maximum Ambient Temperature

167° F

## Applications:

- Pilot valve actuation of larger control valves
- Oil and gas applications including off-shore installations
- Double acting cylinder control requiring direct pilot mount valves
- Air Vises
- Air Motors
- Damper Control

### 3/2 3-Way 2 Position-Single Solenoid-NAMUR Direct Mount - Aluminum

Port Size NPT	Orifice Size in.	Flow Factor Cv	Operating Pressure Differential (MOPD) PSI		Watt	Max. Fluid Temp. °F	Seal	Pressure Vessel	Reference	
			Min.	Air Inert Gas					Coil	Valve
1/4	3/32	0.17	0	150	10	167	NBR	71315AKDKN00	7	C12

### 3/2 or 5/2, 3- or 4-Way 2 Position - Single Solenoid - NAMUR Direct Mount - Aluminum

Port Size NPT	Orifice Size in.	Flow Factor Cv	Operating Pressure Differential (MOPD) PSI		Watt	Max. Fluid Temp. °F	Seal	Pressure Vessel Number without Manual Override	Pressure Vessel Number with Locking Manual Override	Pressure Vessel Number with Momentary Manual Override	Reference	
			Min.	Air Inert Gas							Coil	Valve

#### AC/DC TECHNICAL SPECIFICATIONS

1/4	11/64	0.55	30	150	10	167	NBR	73417AKDKN00	73417AKDKNM0	73417AKDKN7A	7	C13
1/4	11/64	0.55	30	150	1.5	150	NBR	73417AKDKN00	73417AKDKNM0	73417AKDKN7A	11	C13
1/4	11/64	0.55	30	150	0.6	150	NBR	73417AKDKN90	-	-	12	C13
1/4	1/4	1.20	30	150	10	167	NBR	73417AKDPN00	73417AKDPNM0	73417AKDPN7A	7	C13
1/4	1/4	1.20	30	150	1.5	150	NBR	73417AKDPN00	73417AKDPNM0	73417AKDPN7A	11	C13
1/4	1/4	1.20	30	150	0.6	150	NBR	73417AKDPN90	-	-	12	C13

### 3/2 or 5/2, 3- or 4-Way 2 Position - Dual Solenoid - NAMUR Direct Mount - Aluminum

Port Size NPT	Orifice Size in.	Flow Factor Cv	Operating Pressure Differential (MOPD) PSI		Watt	Max. Fluid Temp. °F	Seal	Pressure Vessel Number without Manual Override	Pressure Vessel Number with Locking Manual Override	Pressure Vessel Number with Momentary Manual Override	Reference	
			Min.	Air Inert Gas							Coil	Valve

#### AC/DC TECHNICAL SPECIFICATIONS

1/4	11/64	0.55	30	150	10	167	NBR	73477AKDKN00	73477AKDKNM0	73477AKDKN7A	7	C14
1/4	11/64	0.55	30	150	1.5	150	NBR	73477AKDKN00	73477AKDKNM0	73477AKDKN7A	11	C14
1/4	11/64	0.55	30	150	0.6	150	NBR	73477AKDKN90	-	-	12	C14
1/4	1/4	1.20	30	150	10	167	NBR	73477AKDPN00	73477AKDPNM0	73477AKDPN7A	7	C14
1/4	1/4	1.20	30	150	1.5	150	NBR	73477AKDPN00	73477AKDPNM0	73477AKDPN7A	11	C14
1/4	1/4	1.20	30	150	0.6	150	NBR	73477AKDPN90	-	-	12	C14

### 3/2 or 5/2, 3- or 4-Way 2 Position - Single Solenoid - NAMUR Direct Mount - Brass

Port Size NPT	Orifice Size in.	Flow Factor Cv	Operating Pressure Differential (MOPD) PSI		Watt	Max. Fluid Temp. °F	Seal	Pressure Vessel Number without Manual Override	Pressure Vessel Number with Locking Manual Override	Pressure Vessel Number with Momentary Manual Override	Reference	
			Min.	Air Inert Gas							Coil	Valve

#### AC/DC TECHNICAL SPECIFICATIONS

1/4	1/4	1.20	30	150	1.5	150	NBR	73417BKDPN00	73417BKDPNM0	73417BKDPN7A	11	C13
1/4	1/4	1.20	30	150	10	167	NBR	73417BKDPN00	73417BKDPNM0	73417BKDPN7A	7	C13



4-Way

### 3/2 or 5/2, 3- or 4 - Way 2 Position - Dual Solenoid - NAMUR Direct Mount - Brass

Port Size NPT	Orifice Size in.	Flow Factor Cv	Operating Pressure Differential (MOPD) PSI		Watt	Max. Fluid Temp. °F	Seal	Pressure Vessel Number without Manual Override	Pressure Vessel Number with Locking Manual Override	Pressure Vessel Number with Momentary Manual Override	Reference	
			Min.	Air Inert Gas							Coil	Valve

#### AC/DC TECHNICAL SPECIFICATIONS

1/4	1/4	1.20	30	150	1.5	150	NBR	73477BKDPN00	73477BKDPNM0	73477BKDPN7A	11	C14
1/4	1/4	1.20	30	150	10	167	NBR	73477BKDPN00	73477BKDPNM0	73477BKDPN7A	7	C14

### 3/2 or 5/2, 3- or 4-Way 2 Position - Single Solenoid - NAMUR Direct Mount - Stainless Steel

Port Size NPT	Orifice Size in.	Flow Factor Cv	Operating Pressure Differential (MOPD) PSI		Watt	Max. Fluid Temp. °F	Seal	Pressure Vessel Number without Manual Override	Pressure Vessel Number with Locking Manual Override	Pressure Vessel Number with Momentary Manual Override	Reference	
			Min.	Air Inert Gas							Coil	Valve

#### AC/DC TECHNICAL SPECIFICATIONS

1/4	11/64	0.55	30	150	1.5	150	NBR	73417VKDKN00	73417VKDKNM0	73417VKDKN7A	11	C13
1/4	11/64	0.55	30	150	10	167	NBR	73417VKDKN00	73417VKDKNM0	73417VKDKN7A	7	C13
1/4	1/4	1.20	30	150	1.5	150	NBR	73417VKDPN00	73417VKDPNM0	73417VKDPN7A	11	C13
1/4	1/4	1.20	30	150	10	167	NBR	73417VKDPN00	73417VKDPNM0	73417VKDPN7A	7	C13

### 3/2 or 5/2, 3- or 4-Way 2 Position - Dual Solenoid - NAMUR Direct Mount - Stainless Steel

Port Size NPT	Orifice Size in.	Flow Factor Cv	Operating Pressure Differential (MOPD) PSI		Watt	Max. Fluid Temp. °F	Seal	Pressure Vessel Number without Manual Override	Pressure Vessel Number with Locking Manual Override	Pressure Vessel Number with Momentary Manual Override	Reference	
			Min.	Air Inert Gas							Coil	Valve

#### AC/DC TECHNICAL SPECIFICATIONS

1/4	11/64	0.55	30	150	1.5	150	NBR	73477VKDKN00	73477VKDKNM0	73477VKDKN7A	11	C14
1/4	11/64	0.55	30	150	10	167	NBR	73477VKDKN00	73477VKDKNM0	73477VKDKN7A	7	C14
1/4	1/4	1.20	30	150	1.5	150	NBR	73477VKDPN00	73477VKDPNM0	73477VKDPN7A	11	C14
1/4	1/4	1.20	30	150	10	167	NBR	73477VKDPN00	73477VKDPNM0	73477VKDPN7A	7	C14

### 3/2 or 5/2, 3- or 4-Way 2 Position - Single Solenoid - NAMUR Direct Mount - Brass - External Pilot\*

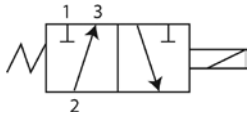
Port Size NPT	Orifice Size in.	Flow Factor Cv	Operating Pressure Differential (MOPD) PSI		Watt	Max. Fluid Temp. °F	Seal	Pressure Vessel Number without Manual Override	Pressure Vessel Number with Locking Manual Override	Pressure Vessel Number with Momentary Manual Override	Reference	
			Min.	Air Inert Gas							Coil	Valve

#### AC/DC TECHNICAL SPECIFICATIONS

1/4	1/4	1.20	0	150	1.5	150	NBR	74417BKDPN00	-	-	11	C15
1/4	1/4	1.20	0	150	10	167	NBR	74417BKDPN00	-	-	7	C15

\* External pilot pressure to operate valve must be 30-150 PSI.

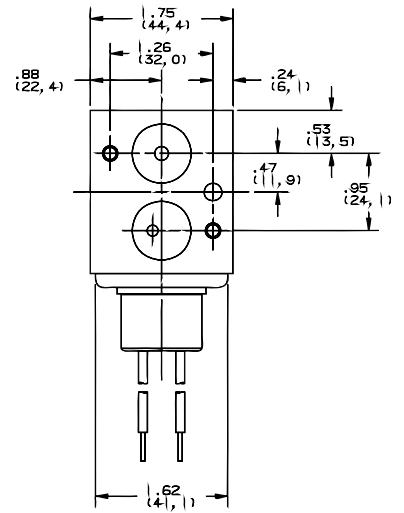
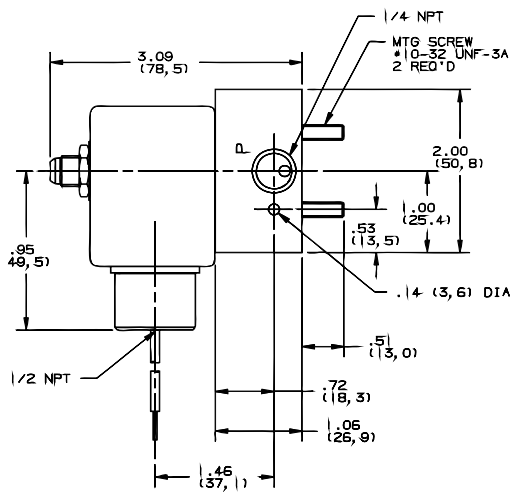
## Valve Reference C12



3-Way Normally Closed

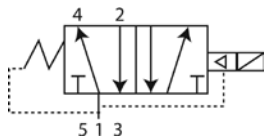
Port Identification:

1- Pressure/2 - Cylinder/3 - Exhaust



4-Way

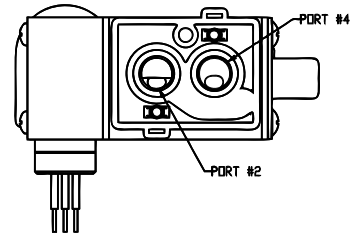
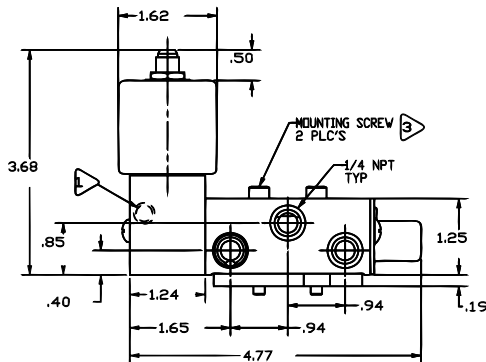
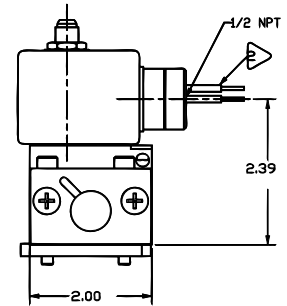
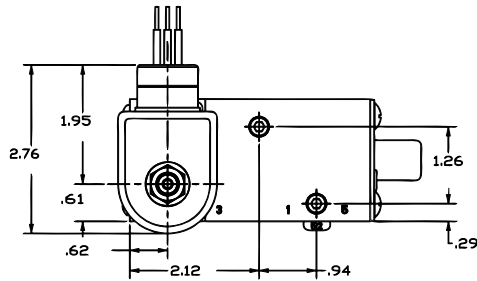
## Valve Reference C13



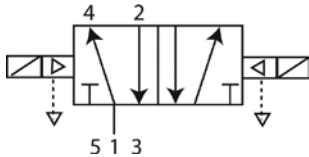
5/2, 4-Way 2 Position Single Solenoid

Port Identification:

1- Pressure/2, 4 - Cylinder/3, 5 - Exhaust



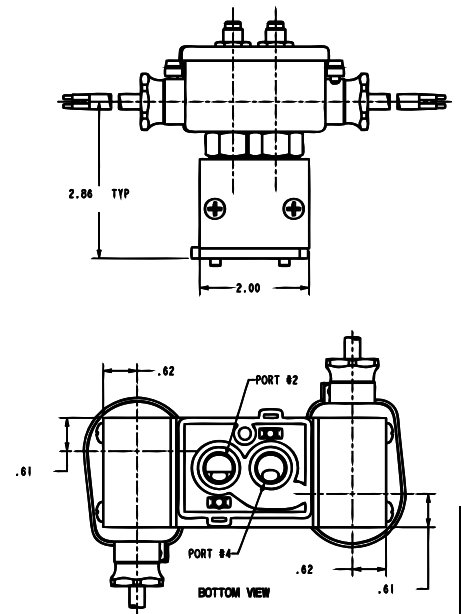
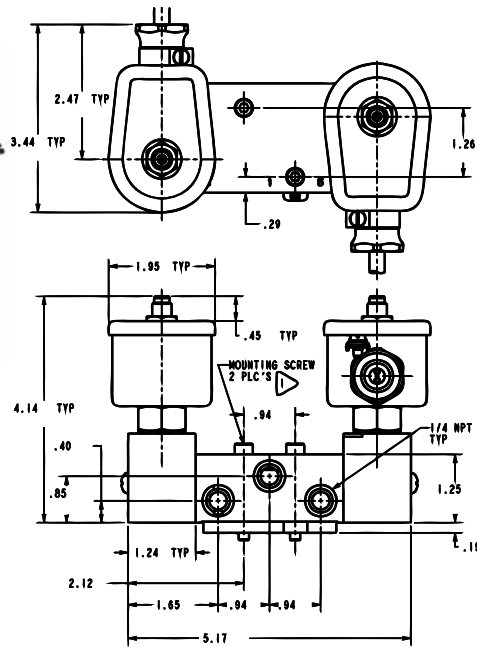
## Valve Reference C14



5/2, 4-Way 2 Position Dual Solenoid

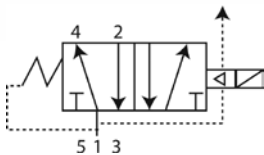
Port Identification:

1- Pressure/2, 4 - Cylinder/3, 5 - Exhaust



4-Way

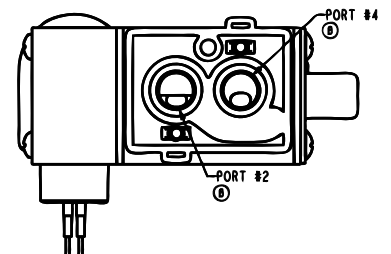
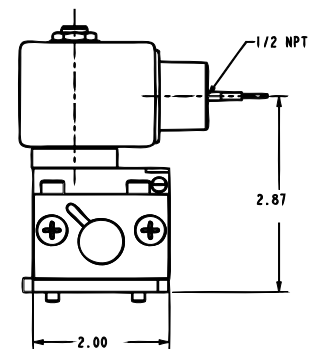
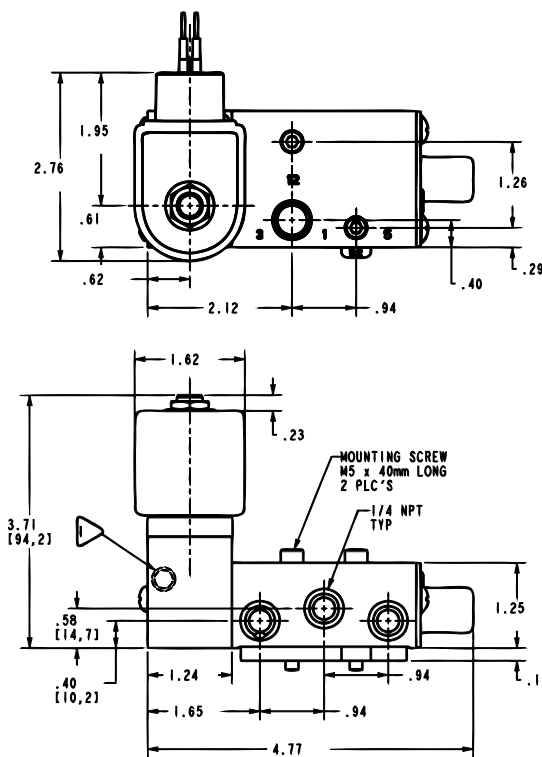
## Valve Reference C15



5/2, 4-Way 2 Position Single Solenoid

Port Identification:

1- Pressure/2, 4 - Cylinder/3, 5 - Exhaust



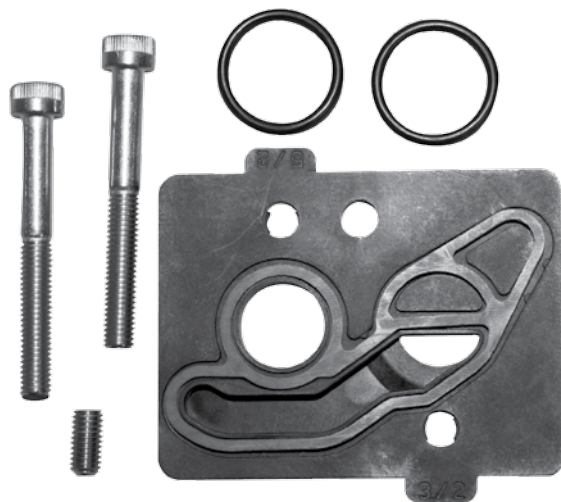
## 4-Way Pilot Direct Mount Materials of Construction\*\*

Product*	Watt	Type	Port Size	Body	Sleeve Tube	Sleeve Stop	Sleeve Flange	"Plunger Blank"	Plunger Spring	Shading Ring	Max. Ambient Temp.
71315AK	10	3WNC	NAMUR	Alum	304ss	430FR	430F	430FR	19-8SS	Copper	167°F
73417AK	10	3/2-5/2	1/4	Alum	304SS	430FR	430F	430FR	18-8SS	Copper	167°F
73417BK	10	3/2-5/2	1/4	Brass	304SS	430FR	430F	430FR	18-8SS	Copper	167°F
73417VK	10	3/2-5/2	1/4	Brass	304SS	430FR	430F	430FR	18-8SS	Copper	167°F
73477AK	10	3/2-5/2	1/4	Alum	304SS	430FR	430F	430FR	18-8SS	Copper	167°F
73477BK	10	3/2-5/2	1/4	Brass	304SS	430FR	430F	430FR	18-8SS	Copper	167°F

\* Shows first 7 digits of pressure vessel part number.

\*\* Maximum ambient temperature shown is the rating when valve is operating at the maximum fluid temperature as shown in the product sections for each of the valves in this catalog.

### Parker's 3-way/4-way Conversion Mounting Plate Kit



This conversion mounting kit, unique in the industry, allows a common valve to be installed and used in either a 3-way or 4-way function.

Available with U.S., or Metric mounting screws. Consult factory for the specific kit number that meets your requirements.