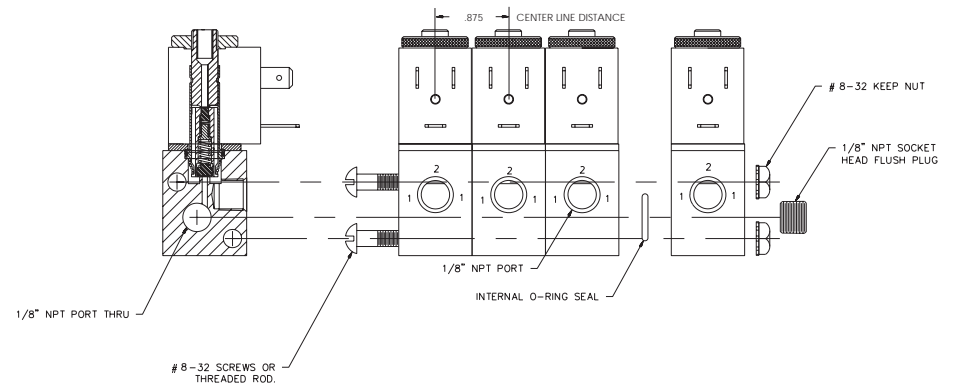




Assembly

The Series 3900 manifold is comprised of multiple single station units. The units are assembled by placing an o-ring seal between the body blocks in the aperture provided and linked together using #8-32 bolts or threaded rod.



The pressure inlets are located on either end of the manifold assembly with the cylinder port (2) located on the lower block face. On 3-2 way versions the exhaust port R (3) is located on the stem of the valve.

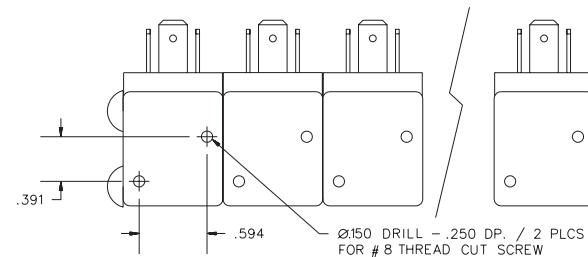
Six station manifolds or less require one inlet port. It would be necessary to block the unused inlet with an 1/8" NPT pipe plug.

For manifolds containing more than six stations, 2 inlets are suggested.

NOTE: For best results, grease ALL o-rings prior to assembly (Dow Corning Silicone 111 grease recommended)

Mounting Kits for multiple station assemblies are available from Spartan Scientific. Consult your distributor for details.

Mounting Template



Warranty Information

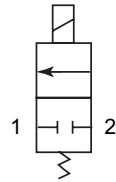
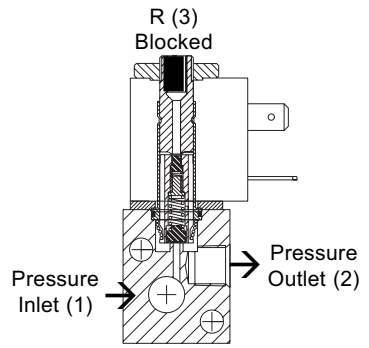
Solenoid valves and all other products manufactured by Spartan are warranted by Spartan to be free from defects in material and workmanship for a period of 1 year from the date of purchase. Spartan's obligation under this warranty is limited to repair or replacement of the defective product or refund of the purchase price paid solely at the discretion of Spartan and provided such defective product is returned to Spartan freight prepaid and upon examination by Spartan such product is found defective. This warranty shall be void in the event that the product has been subject to misuse, misapplication, improper maintenance, modification or tampering. This warranty is expressed in lieu of all other warranties, expressed or implied from Spartan Scientific, Inc., representatives or employees.



Series 3900

Application and Installation Guide

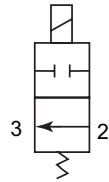
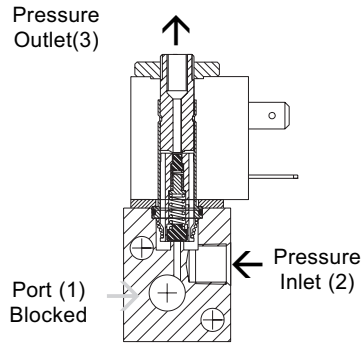
Two-Way, Two Position, Normally Closed



Position 1) Coil De-energized. Pressure inlet port (1) is closed to outlet port (2). Port R is blocked.

Position 2) Coil Energized. Pressure inlet port (1) is open to outlet port (2).

Two-Way, Two Position, Normally Open

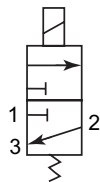
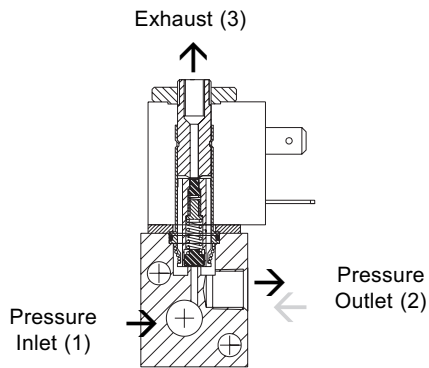


Position 1) Coil De-energized. Pressure inlet port (2) is open to pressure outlet port (3).

Position 2) Coil Energized. Pressure inlet port (2) is closed to outlet port (3).

*Port (1) is permanently blocked. (Both Ends)

Three-Way, Two Position, Normally Closed



Position 1) Coil De-energized. Pressure inlet port (1) is closed to outlet port (2). Port (2) is open to exhaust port (3).

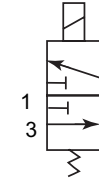
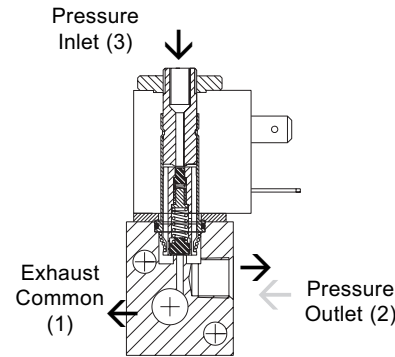
Position 2) Coil Energized. Pressure port (1) is open to outlet port (2). Exhaust port (3) closed.

Series 3900

Application and Installation Guide



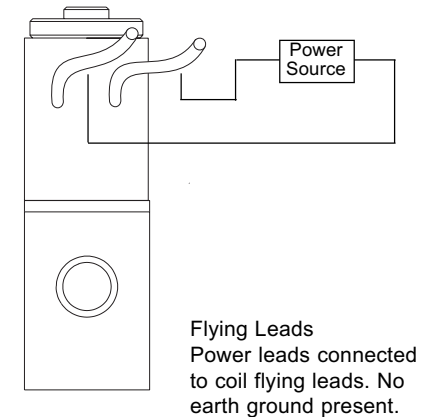
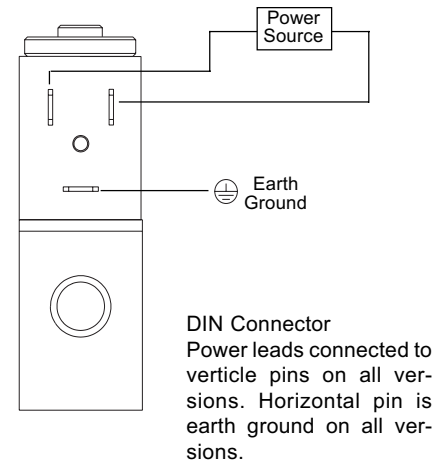
Three-Way, Two Position, Normally Open



Position 1) Coil De-energized. Pressure inlet port (3) is connected to outlet port (2). Exhaust port (1) closed.

Position 2) Coil Energized. Pressure inlet port (3) is closed. Outlet port (2) is open to common exhaust port (1).

Electrical Hook-up



Caution

Do not use media, voltage or pressures other than that recommended by Spartan Scientific Inc. as valve malfunction could result. Misuse or misapplication of Spartan solenoid valves could cause serious bodily injury or property damage.