



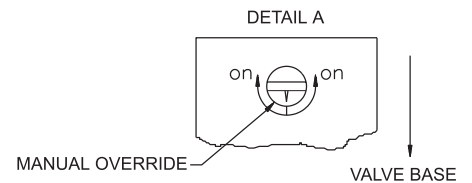
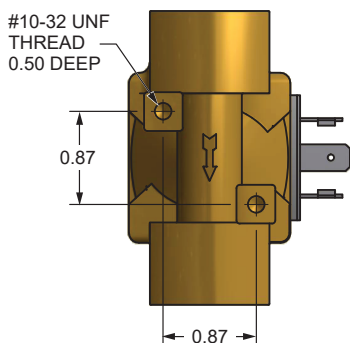
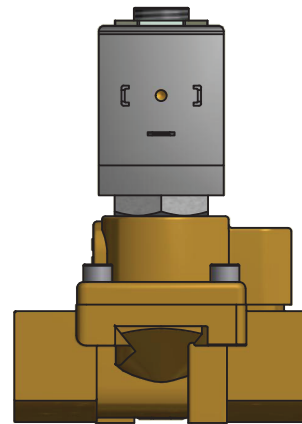
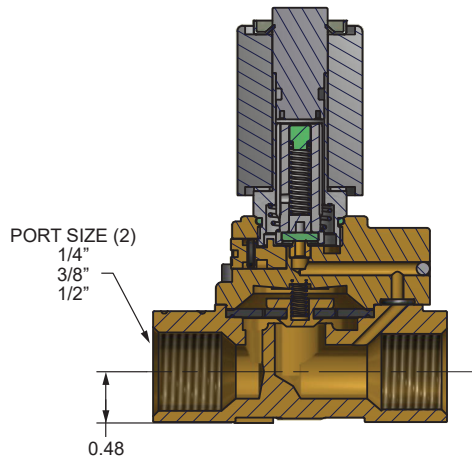
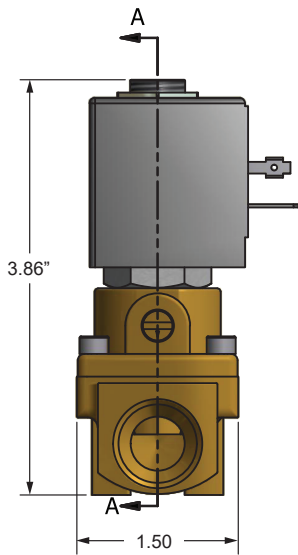
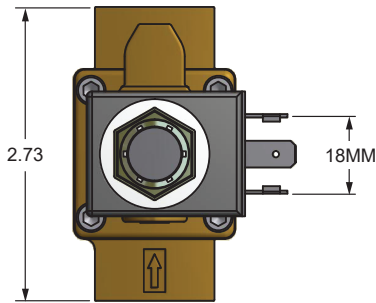
Series 45A0

Diaphragm Process
Air-Sol 2-Way

The Spartan Scientific Series 45A0 2-Way, 2-Position Solenoid Valve is a brass bodied, stainless steel operator valve for electronic control of air, water or any seal compatible media. The versatile design is feature rich including with and without manual override, EPDM, FKM and NBR sealing materials and slow close anti-water hammer options. Additional special options include oxygen clean, and latching versions. Valves are available in 1/4", 3/8" and 1/2" NPT and all standard AC and DC voltages. Coils are fully encapsulated and are available standard with flying lead and DIN 43650 form A with wire grip or 1/2" conduit as options.

Dimensional Data

ALL DIMENSIONS ARE IN INCHES UNLESS OTHERWISE NOTED



DIAPHRAGM
PROCESS



Series 45A0

Diaphragm Process
Air-Sol 2-Way

Technical Data

Function: 2-Way, 2-Position; Inlet Pilot, Solenoid Operating; Normally Closed

Port Size: 1/4" NPT / 1.55 Cv
3/8" NPT / 1.95 Cv
1/2" NPT / 2.45 Cv

Orifice Sizes/ Flow Factor: 12.7mm
2.45 Cv

Pressure Range: 10 to 300 psi (depending on orifice size and function)

Temp. Range: Fluid Max.: +60°C
Dry Range: Ambient +10° to +50°C

Response Time: 20 to 80ms Complete Cycle

Media: Air, water or any seal compatible media (contact factory for compatibilities)

Environment Protection: IP65 (IEC 144), NEMA 4
Dust-tight and water resistant (with electrical connector)

Mounting: #10-32 x 0.5" DP Holes (2x)

Wetted Materials: Elastomers: EPDM, FKM, NBR
Operator: 300 and 400 Series Stainless Steel
Shading Ring: Copper (AC Only)
Springs: 300 Series Stainless Steel
Valve Body: Brass

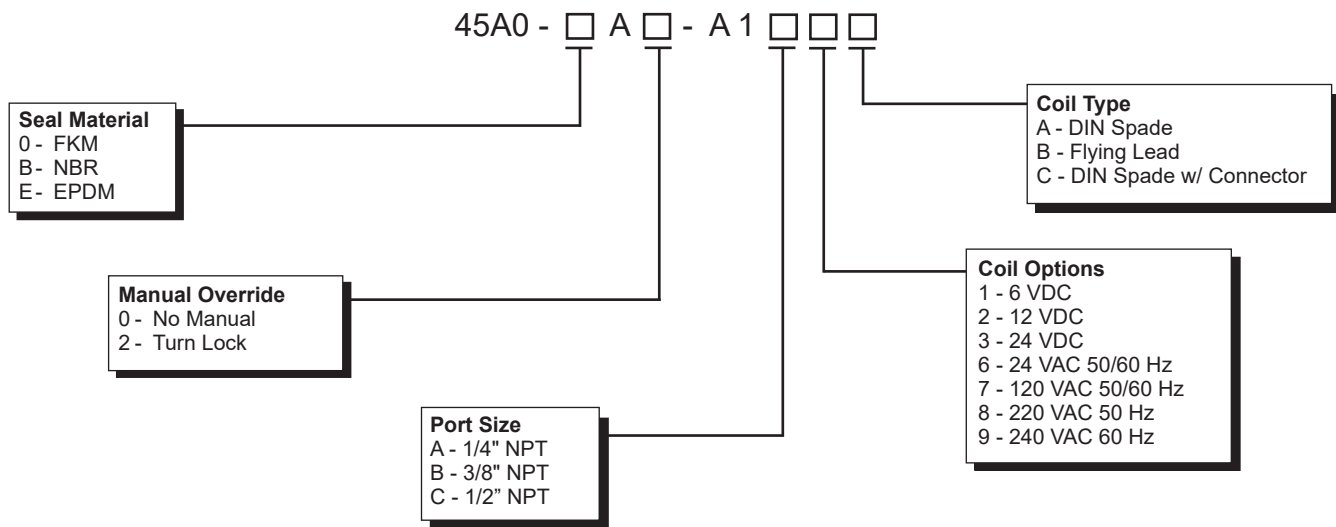
Coil Data: Duty Cycle: Continuous (within specifications)
Encapsulation: Glass-Filled Nylon
Insulation: Class F
Power Rating: 10 Watt VDC, 11VA VAC (others available on request)
Voltage: 6, 12, 24 VDC
24, 120, 220, 240 VAC 50/60 Hz
Voltage Tolerance: +/- 10% Nominal
Winding: Class H

Connections: Spades: Accordance with DIN 43650
Form "A" / ISO 4400, EN175301-803:2006
Flying Lead: PVC 18 AWG, Multi-Strand Copper Wire, 300V, 12" minimum length

Packaged Weight: 1.38 lbs.

 Consult factory for available versions recognized under the Component Program of Underwriters Laboratories, Inc.

How To Order



Replacement Diaphragm Kits

Kit includes: Diaphragm and Orifice insert

Specify Part Number

FKM	45A0-01-0001
NBR	45A0-B1-0001
EPDM	45A0-E1-0001

Order Example: 45A0-0A0-A1A7A
FKM, No Override, 1/4" NPT,
120 VAC 50/60 Hz, DIN Spade