

HORIZONTAL RESERVOIRS

HORIZONTAL W/WELDED TOP (LARGE)

The large non-JIC type horizontal steel reservoirs have welded on tops and clean-out access on each end. The reservoir design incorporates a lengthwise baffle positioned between opposing clean-out openings. The internal baffle extends the full height of the reservoir with added circulation passages. The reservoirs have a low profile flat bottom with mounting feet outward from the ends. Each reservoir is supplied with a sight gage, filler breather and access covers.

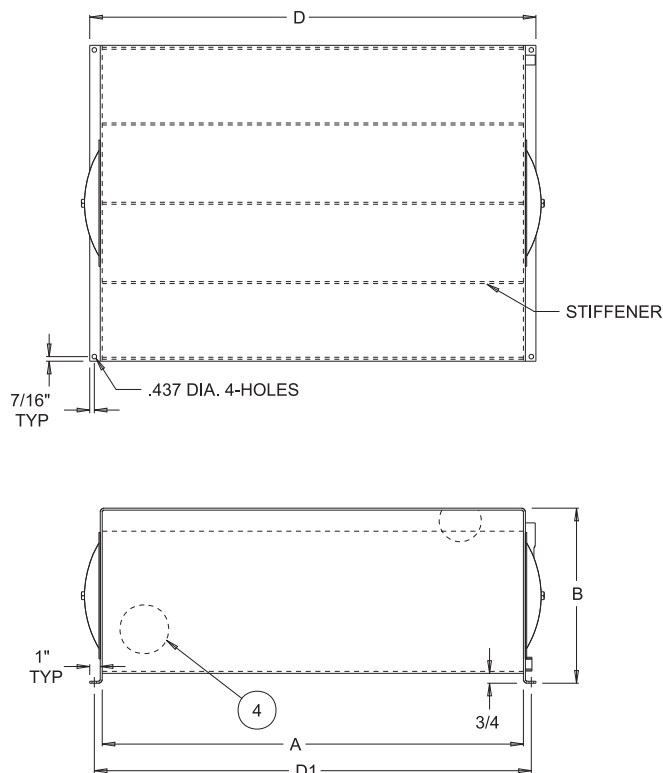
Standard Features:

1. (1) 5 inch GT623 Series sight gage
2. Filler breather (no hole provided)
 - Bayonet style 40 micron
3. (2) 12 inch access covers
4. Baffle with cutouts for circulation
5. 3/4 inch NPT drain with plug
6. Welded top
7. Exterior of reservoir prime painted
8. Interior coated with rust preventative oil
9. Materials
 - Carbon steel construction
 - Buna N seals
 - Transparent molded nylon sight gage with black powder coated steel guard
 - Zinc plated fill cap with nylon strainer basket

CAUTION:

▪ Reservoirs are not designed for internal positive or negative pressure applications. For these applications, consult the factory.

- NOTE**
- Drain plugs need to be sealed and tightened before use
 - Sight gage and filler breather shipped loose inside reservoir
 - Industry accepted design practice for hydraulic systems limits maximum operating temperature to 180° F (82° C), but materials used for fabrication of the reservoirs are capable of operating between -40° and 212° F (-40° and 100° C)



NOTE: All dimensions are inches [mm]

Tank Dimensions (inches)								
Capacity (gal)	Part No.	A	B	C	D	Mounting Centers		Piece Weight (lbs)
						D1 ± .12	D2 ± .12	
60	V5162	40.00	16.62	30.00	42.38	41.50	29.12	236
80	V5163	48.00	16.62	30.00	50.38	49.50	29.12	273
100	V5164	52.00	16.62	36.00	54.38	53.50	35.12	290
100	V5165	48.00	19.00	30.00	50.38	49.50	29.12	290

Dimensions and specifications are subject to change without notice. Not all items are Made-To-Stock, contact us for availability.

04/15

Ph : 920-682-6877
Fx : 920-684-7210



sales@ldi-industries.com
www.ldi-industries.com