

JIC TYPE RESERVOIRS

STYLE A

The Style A Series JIC type reservoirs are constructed with a welded top and clean-out access on each end. The reservoir design incorporates a lengthwise baffle positioned between opposing clean-out openings. Each reservoir is supplied with a sight gage, filler breather and access covers.

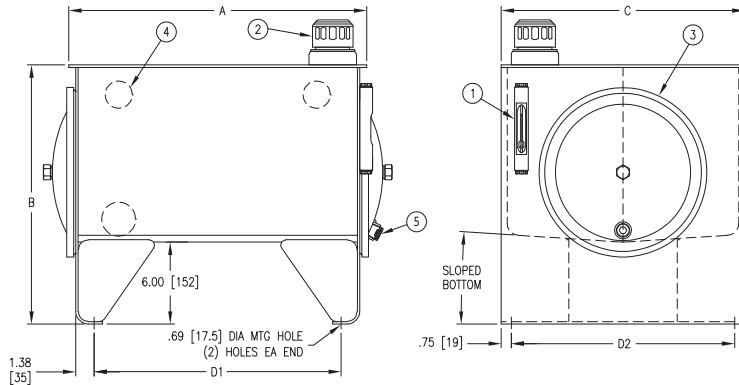
Standard Features:

- (1) 5 inch GT623 Series sight gage on capacities of less than 300 gallons; (1) 10 inch G1615 Series sight gage on 300 gallon capacities and above
- (1) Riser with filler breather
 - Bayonet style - 40 micron
- (2) Steel access covers with gaskets
- Baffle with cutouts for circulation
- 3/4 inch NPT drain with plug on (1) access cover
- Exterior of reservoir prime painted
- Interior of reservoir coated with rust preventative oil
- Materials:
 - Carbon steel reservoir
 - Buna N seals
 - Transparent molded nylon sight gage with black powder coated steel guard for GT623 Series sight gage
 - Aluminum body for G1615 Series sight gage
 - Zinc plated fill cap with nylon strainer basket

- NOTE**
- Drain plugs need to be sealed and tightened before use
 - Sight gage and filler breather shipped loose inside reservoir
 - Industry accepted design practice for hydraulic systems limits maximum operating temperature to 180° F (82° C), but materials used for fabrication of the reservoirs are capable of operating between -40° and 212° F (-40° and 100° C)

CAUTION:

- Reservoirs are not designed for internal positive or negative pressure applications. For these applications, consult the factory.



NOTE: All dimensions are inches [mm]

Tank Dimensions (inches)											
Capacity (gal)	Part No.	A Length	B Height	C Width	Mounting Centers		Access Cover	Material Thickness		Piece Weight (lb)	
					D1 ± .12	D2 ± .12		End	Top		
10	V10010	22.00	19.00	18.00	18.25	16.50	12.00	7 Ga	7 Ga	105	
15	V10015	26.00	19.00	18.00	22.25	16.50	12.00	7 Ga	7 Ga	115	
20	V10020	30.00	19.00	18.00	26.25	16.50	12.00	7 Ga	7 Ga	126	
30	V10030	36.00	19.38	24.00	32.25	22.50	12.00	7 Ga	7 Ga	175	
40	V10040	36.00	21.00	24.00	32.25	22.50	12.00	7 Ga	7 Ga	185	
50	V10050	36.00	23.00	24.00	32.25	22.50	14.00	7 Ga	7 Ga	195	
60	V10060	48.00	20.56	27.00	44.25	25.50	14.00	7 Ga	.25	265	
80	V10080	60.00	21.50	27.00	56.25	25.50	14.00	7 Ga	.38	375	
100	V100100	60.00	23.50	27.00	56.25	25.50	14.00	.38	.38	380	
120	V100120	60.00	27.00	30.00	56.25	28.50	16.00	.38	.38	539	
150	V100150	60.00	31.00	30.00	56.25	28.50	16.00	.38	.38	587	
200	V100200	72.00	29.38	36.00	68.25	34.50	18.00	.38	.38	827	
300	V100300	72.00	38.50	36.00	68.25	34.50	18.00	.38	.38	980	
400	V100400	72.00	38.50	48.00	68.25	46.50	18.00	.38	.50	1578	
500	V100500	72.00	43.00	48.00	68.25	46.50	18.00	.38	.50	1733	
600	V100600	96.00	43.00	48.00	92.25	46.50	18.00	.38	.50	1838	
700	V100700	96.00	49.00	48.00	92.25	46.50	18.00	.38	.50	1996	

Dimensions and specifications are subject to change without notice. Not all items are Made-To-Stock, contact us for availability.

05/15

Ph : 920-682-6877
Fx : 920-684-7210



sales@ldi-industries.com
www.ldi-industries.com