

Gemco 956 BLOK Housing Option

The 956 BLOK is an optional Rod & Barrel style housing for the 955 BRIK Series of Linear Displacement Transducers. This housing adds a chamber, magnet and piston. The streamlined anodized aluminum extrusion houses the sensing element and electronics. The piston assembly moves over the sensing element that determines the position and converts it to a readable output.

The 956 BLOK is a self-contained unit and does not have a can or head assembly. All of the electronics are incorporated in the transducer which is less than 1.5 inches square. Units can be ordered in span lengths up to 36 inches long in 0.1 inch increments. The piston is designed to move effortlessly along the transducer. A variety of hardware is available for attaching the LDT to the moving portion of the process. All units are provided with a standard quick disconnect connector.

The transducer can be mounted vertically or horizontally using mounting feet or optional rod ends. The mounting feet slide on the extrusion and clamp down when tightened. This package style provides a compact and easy method of mounting for machine builders. Typical span lengths range from 4" to 36". Consult factory for other lengths.

The 956 BLOK is designed for applications where economical continuous feedback is necessary. The sensor can be a cost effective replacement to limit and proximity sensors and linear potentiometers. Applications include presses, blow molding, injection molding, extrusion, roll positioning, wicket gates and many more.



Shown with optional Metal Rod End.

Specifications

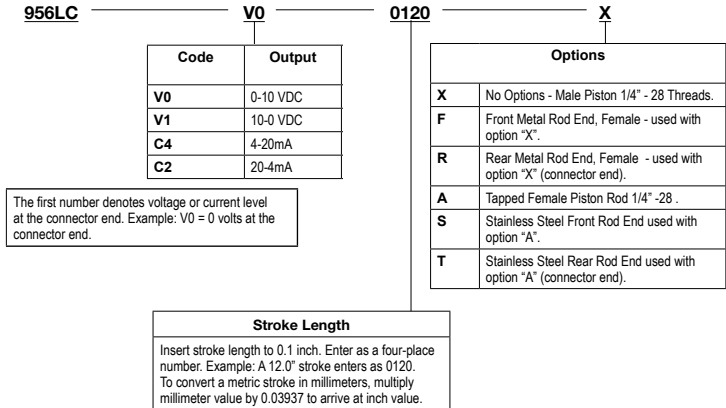
Because the 956 BLOK is an optional housing for the 955, electrical specifications are dependant on the particular 955 sensor. See the 955 BRIK pages for specifications.	
Approvals	CE
Enclosure	IP67 (Optional IP68)
Specifications are subject to change without notice.	

Accessories

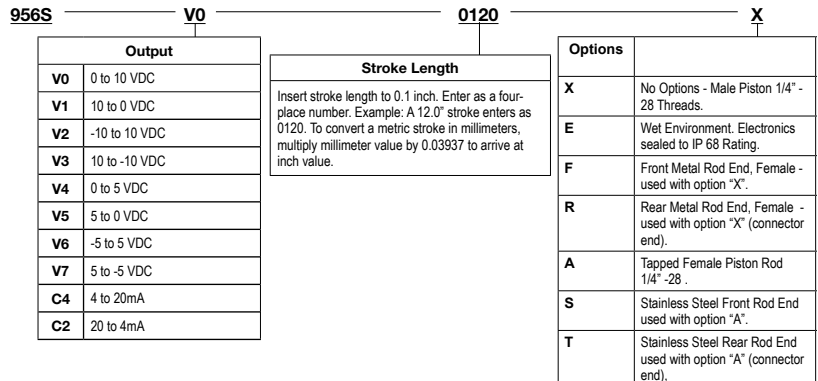
Item	Part Number
Spacer Kit Mount feet for .45" or .75" mounting Includes two mounting feet & spacers	SD0545100
Metal Rod End, Female for Option "F"	04-570256
Mounting Foot	SD0522000
Stainless Steel Rod End 1/4-28 Male for Option "A"	04-570264

956 Output Summary & Part Numbering

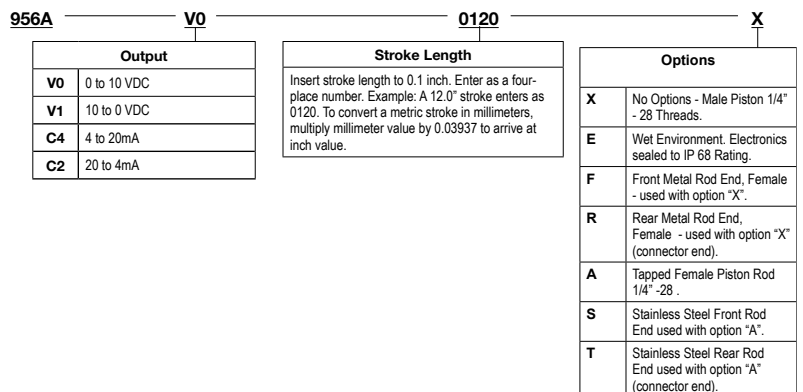
Type	956LC
Features	No Programmable output, No diagnostic LED, electronics sealed to IP67, resolution 0.014"
Outputs	0 to 10 volts or 4 - 20mA
Stroke Lengths	6 to 36"
Null Band	3.00"
Dead Band	1.5"
<i>See 955LC section for complete specifications</i>	



Type	956S - Smart Brik
Features	Programmable Zero & Span, diagnostic Tri-color LED, Electronics sealed to IP67, IP68 optional, resolution to 0.014"
Outputs	0 to 10 vdc, -10 to +10vdc, 0 to 5 vdc, -5 to +5 vdc or 4 - 20mA
Stroke Lengths	4 to 36"
Null Band	3.00"
Dead Band	1.5"
<i>See 955S section for complete specifications</i>	

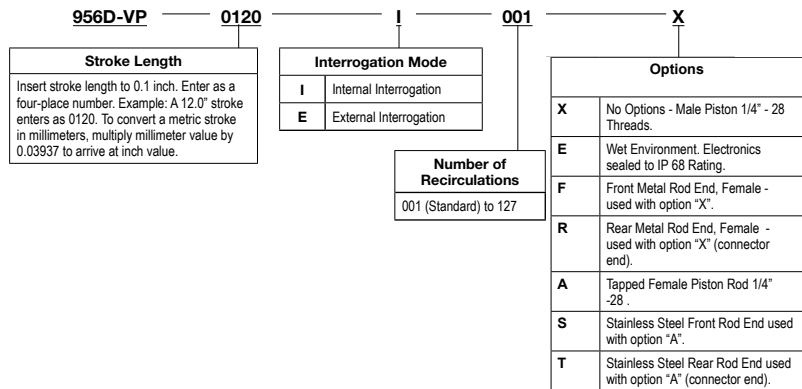
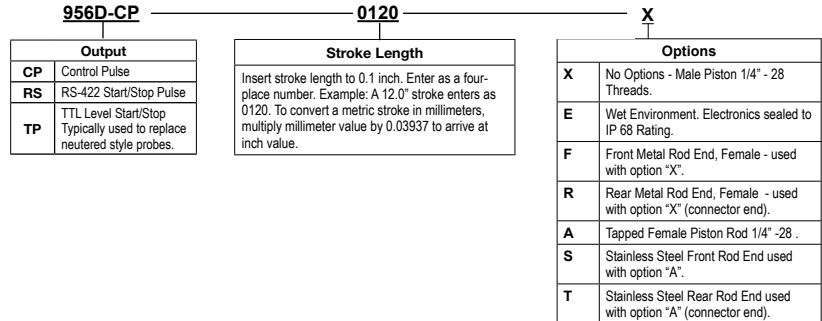


Type	956A - High Resolution
Features	Programmable Zero & Span, diagnostic Tri-color LED, Electronics sealed to IP67, IP68 optional, resolution to 0.001"
Outputs	0 to 10 volts or 4 - 20mA
Stroke Lengths	5 to 36"
Null Band	3.00"
Dead Band	2.0"
<i>See 955A section for complete specifications</i>	

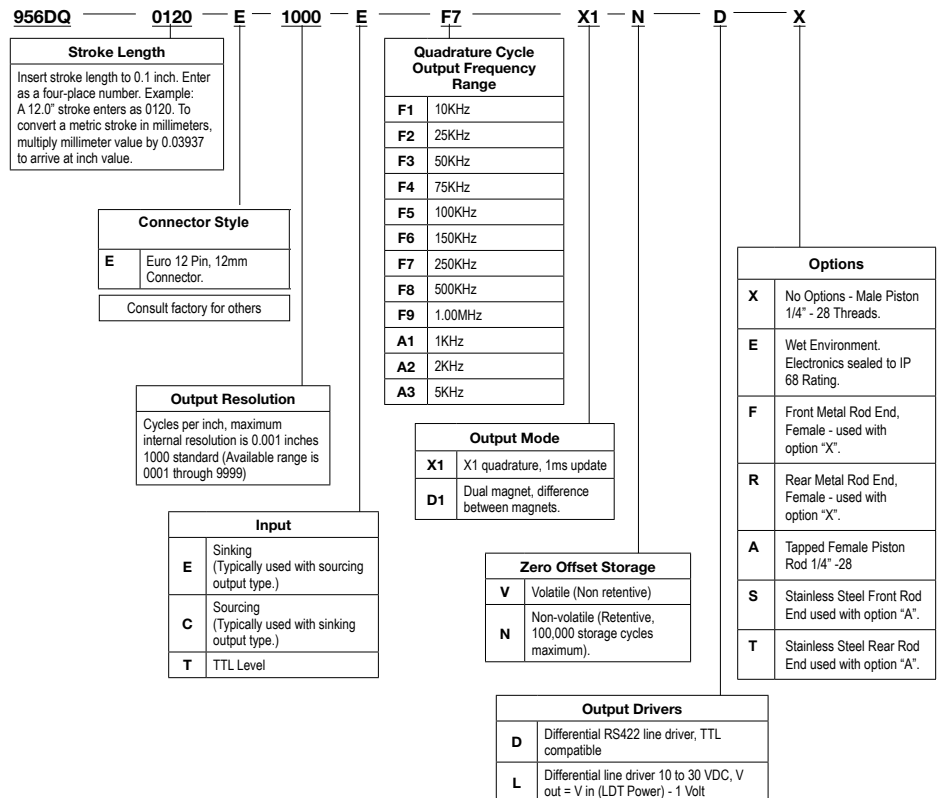


956 Output Summary & Part Numbering

Type	956D - Digital Output
Features	Diagnostic Tri-color LED, Electronics sealed to IP67, IP68 optional, resolution equal to controller
Outputs	Controlled Pulse, Start/Stop, and PWM with Internal or external interrogations and recirculation
Stroke Lengths	5 to 36"
Null Band	3.00"
Dead Band	2.0"
See 955D section for complete specifications	

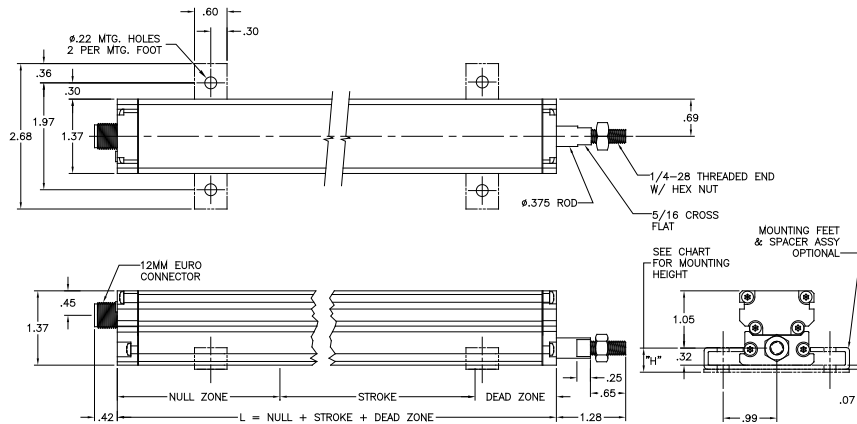


Type	956DQ - Quadrature Output
Features	Quadrature output, simulates incremental encoders, Burst output to simplify homing unit in event of power loss, Diagnostic Tri-color LED, Electronics sealed to IP67, IP68 optional
Outputs	Quadrature Output A+, A-, B+, B-, Z+, Z -Line Drivers: 5V or Input Power
Stroke Lengths	5 to 36"
Null Band	3.00"
Dead Band	2.0"
See 955DQ section for complete specifications	

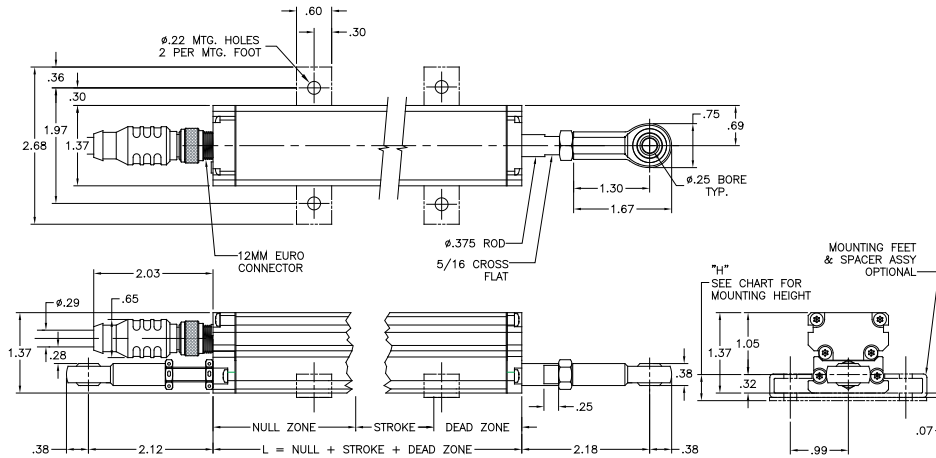


956

956 BLOK Housing Dimensions - Standard 956 Housing with Option X



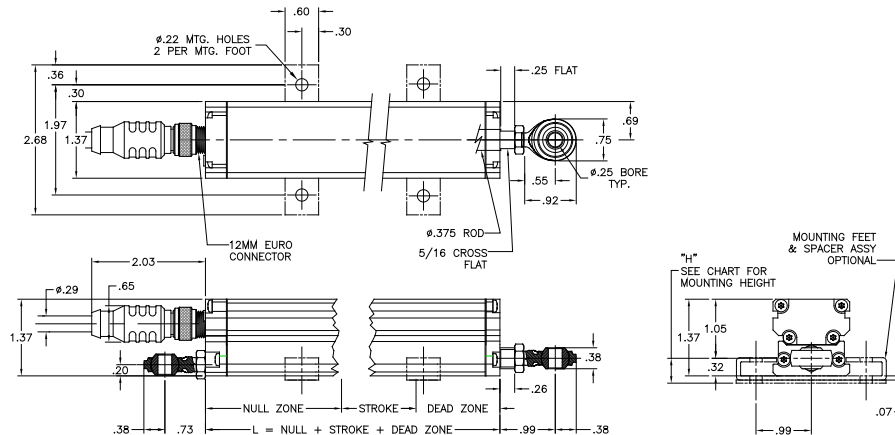
Dimensions - 956 Housing with F, R, and X Options – Male Thread Rod



NOTE: SEE PROBE SPECIFICATION FOR NULL & DEAD ZONE DIMENSIONS.

SPACER PART NO.	MOUNTING HEIGHT "H"
S0083900	.45
S0083901	.75

Dimensions - 956 Housing with S, T, and A Options – Female Thread Rod



NOTE: SEE PROBE SPECIFICATION FOR NULL & DEAD ZONE DIMENSIONS.

SPACER PART NO.	MOUNTING HEIGHT "H"
S0083900	.45
S0083901	.75