

## 955C BRIK for Pneumatic Cylinders

With the demand for automation greater than ever, the need to replace limit and zone sensors on pneumatic cylinders with continuous feedback has become obvious. Speeding up and improving your process is what you need in order to stay competitive. Knowing your exact position at any given moment is essential to that end.

Replace your existing limit sensors with the GEMCO **955C BRIK GEN III** for continuous position feedback with your choice of Analog, Digital, or Quadrature outputs. The **955C BRIK GEN III** senses the magnet located in your existing pneumatic cylinder and uses it to relay absolute positioning information to the machine's controller. The **955C BRIK GEN III** can be retro-fitted to cylinders in the field using standard mounting brackets or your own customized solution. The **955C** solution has no moving parts to wear out. Magnetostrictive technology is used to "see" through the aluminum extrusion and detect the position of the magnet mounted inside the cylinder.

Three versions of the **955C BRIK GEN III** are available. The **955CA** offers analog output in either voltage or current with your choice of 0 to 10 VDC, 10 to 0 VDC, 4 to 20mA, or 20 to 4mA. The unit can easily be reconfigured in the field from a 0-10 VDC to a 10-0 VDC or 4-20 mA to a 20-4 mA output.

The **955CD** is designed for digital output with choice of Control Pulse, Start/Stop Pulse, or Variable Pulse output.

The Quadrature output from the **955CDQ** allows wiring directly to any incremental encoder input card, without the need for a special converter module or a PLC interface card. The **955CDQ** can be ordered with 1-9999 cycles per inch of output resolution in lengths of 5 to 180 inches. The transducer features an input to re-zero the probe "on-the-fly". Another unique feature is the "burst" mode. An input on the transducer triggers a data transfer of all the incremental position data relative to the set zero position. This can be used to achieve absolute position updates when power is restored to the system, eliminating the time-consuming need to "re-home" the machine.

The **955C BRIK GEN III** has truly unique features. The first one being the LDT's auto-tuning capability: the ability to sense a magnet within the pneumatic cylinder and adjust its signal strength accordingly.

Another feature is that the analog output is programmable over the entire active stroke length. The active stroke area of the LDT lies between the Null Zone and the Dead Band.

There is also a diagnostic LED located at the connector to minimize setup time and troubleshooting. The LED is green in normal operation. Red will indicate no magnet present or that the magnet has moved out of sensing range. Yellow is an indication the magnet is out of the programmed active range or if no interrogation signal is detected.

The enclosure comes standard as IP67; however, upgrading to IP68 is available as an option so the LDT can be used in wet environments.

**Note:** *The Pneumatic cylinder must have a magnet in order to work. Each cylinder manufacturer uses different types of magnets. In most cases the cylinder supplier installs the magnet so that the South Pole is facing out. To date, we have successfully worked with most brands of pneumatic cylinders. Consult AMETEK APT for a list of compatible cylinder manufacturers. Call 800.635.0289 to speak with a Sales Engineer.*



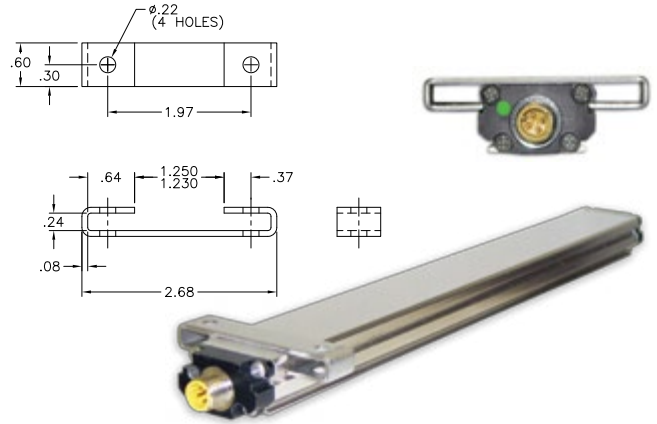
## Mounting Options for the 955C

### LDT Specifications

SPECIFICATIONS	
<b>Input Voltage</b>	13.5 to 30 VDC
<b>Current Draw</b>	2.5 Watts Maximum, 120 mA@15 VDC Typical
<b>Output</b>	<b>Analog:</b> 0 to 10VDC, 10 to 0 VDC, 4 to 20 mA, 20 to 4mA. <b>Digital:</b> Control Pulse, Variable Pulse, Start/Stop <b>Quadrature:</b> A+, A-, B+, B-, Z+ ,Z- <b>Line Drivers:</b> 5V or Input Power
<b>Resolution</b>	<b>Internal:</b> 0.001" <b>Analog Output:</b> 16 Bit (1 part in 65,535) <b>Digital Output:</b> Controller Dependent <b>Quadrature:</b> 0.001"
<b>Non-Linearity</b>	+/- 0.05% of Stroke
<b>Repeatability</b>	+/- 0.006% of Full Stroke
<b>Hysteresis</b>	+/- 0.02% of Full Scale
<b>Update</b>	
<b>    Analog</b>	
<b>        50" or less:</b>	1ms
<b>        51" to 100":</b>	2ms
<b>        101" to 150":</b>	3ms
<b>        151" to 180":</b>	4ms
<b>    Digital</b>	Controller Dependent
<b>Operating Temperature</b>	-20° to 70° C
<b>Span Length</b>	5" to 180"
<b>Null Zone</b>	3.00"
<b>Dead Zone</b>	2.00"
<b>LED</b>	Tricolor diagnostic LED for communication of LDT status.
<b>Connector</b>	<b>955CA:</b> Standard 5 Pin Micro 12mm Euro Connector <b>955CD:</b> Standard 6 Pin Micro 12mm Euro Connector <b>955C DQ:</b> Standard 12 Pin Micro (option E) 12mm Euro Connector or 10 Pin HRS (option H)
<b>Approvals</b>	CE
<b>Enclosure</b>	IP 67 IP 68 Optional
<i>Specifications are subject to change without notice. Specifications are based on a typical 36" LDT.</i>	

### Top Mounting Foot

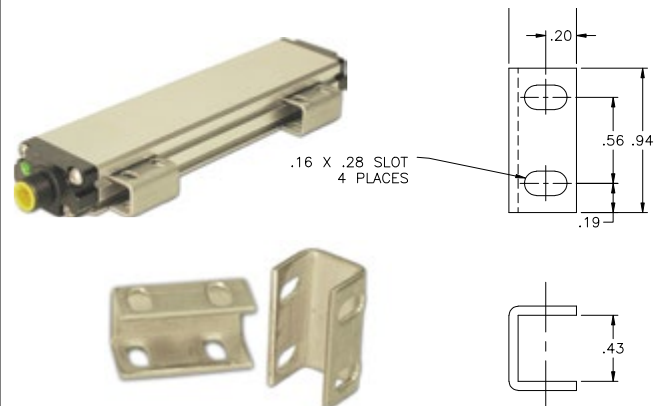
#### Part No. SD0522000



*It is recommended to use one mounting bracket on each end and every 3 feet between.*

### Side Mounting Foot

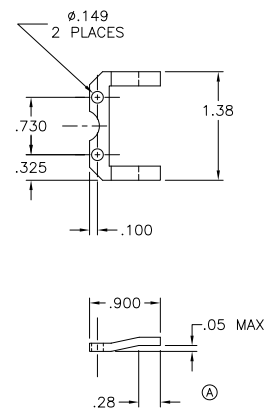
#### Part No. SD0559200



*It is recommended to use one pair of mounting brackets on each end and every 3 feet between.*

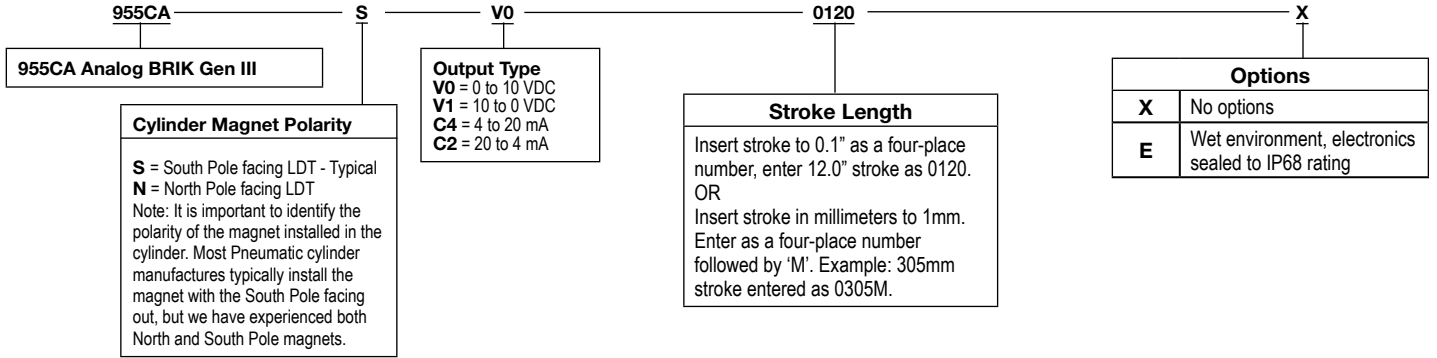
### End Mounting Foot

#### Part No. SD0530600

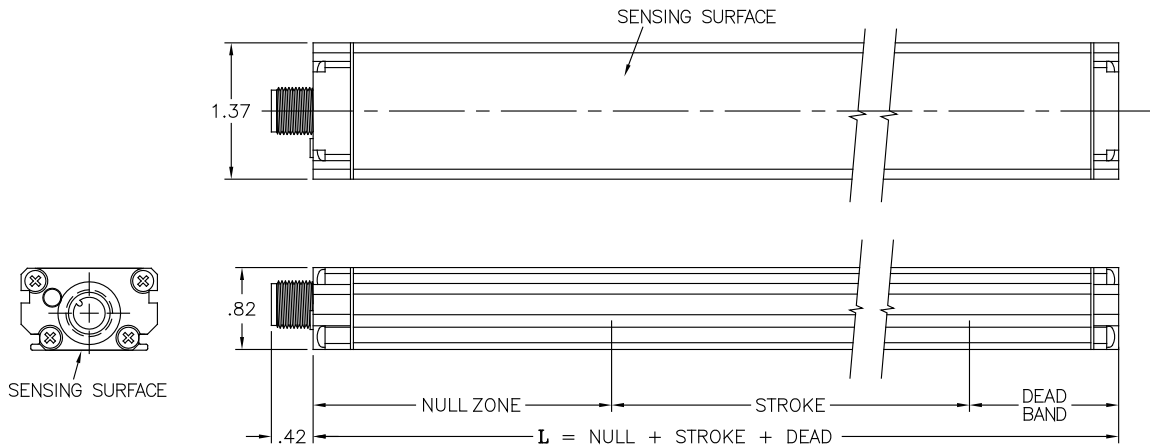


## 955CA Analog BRIK Gen III

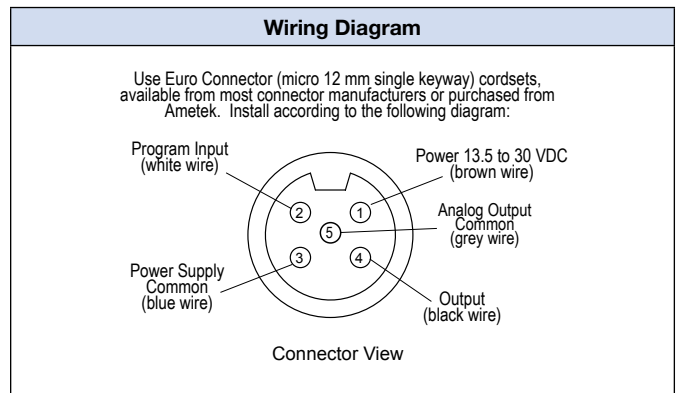
### Part Numbering



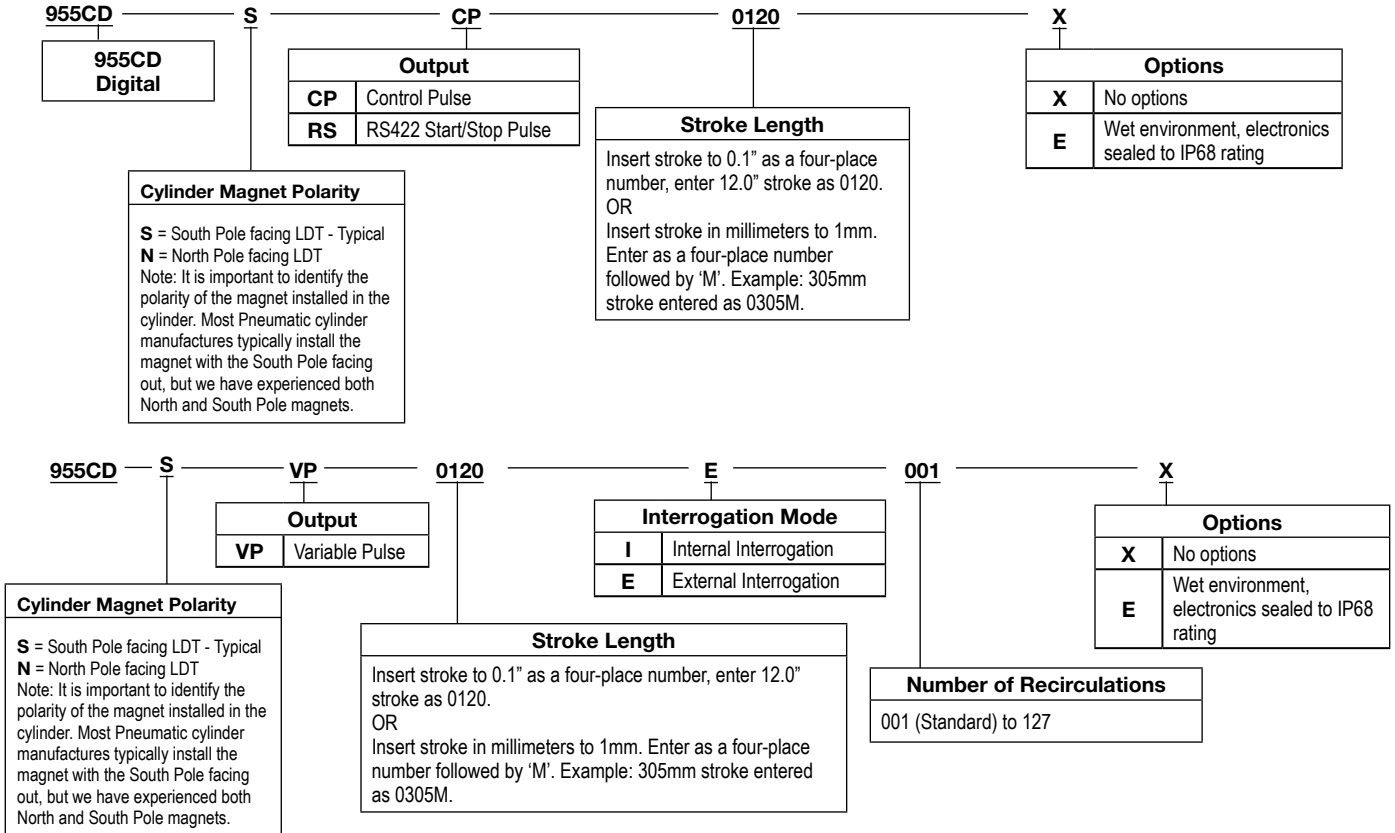
### Dimension Drawing



Accessories for 955CA	
Item	Part Number
Top Mounting Foot (2 min. required)	SD0522000
End Mounting Feet - Set includes 2 pieces	SD0530600
Side Mounting Feet - Set includes 4 pieces	SD0559200
6 Ft. Cable, Straight Connector	949019L6
12 Ft. Cable, Straight Connector	949019L12
6 Ft. Cable, Right Angle Connector	949020L6
12 Ft. Cable, Right Angle Connector	949020L12

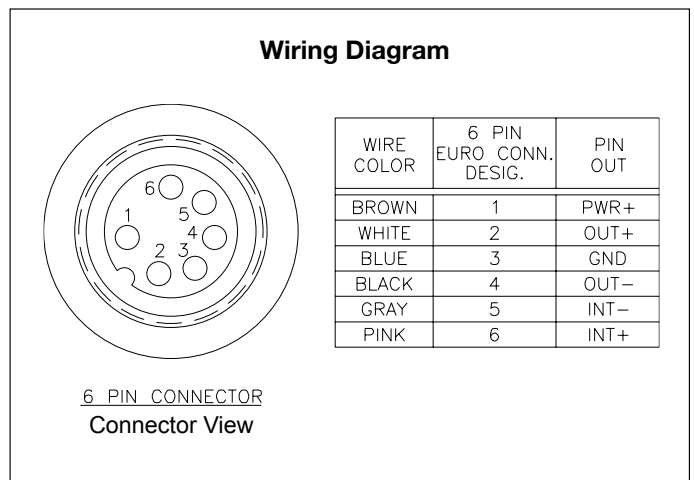


## 955CD BRIK Gen III Part Numbering

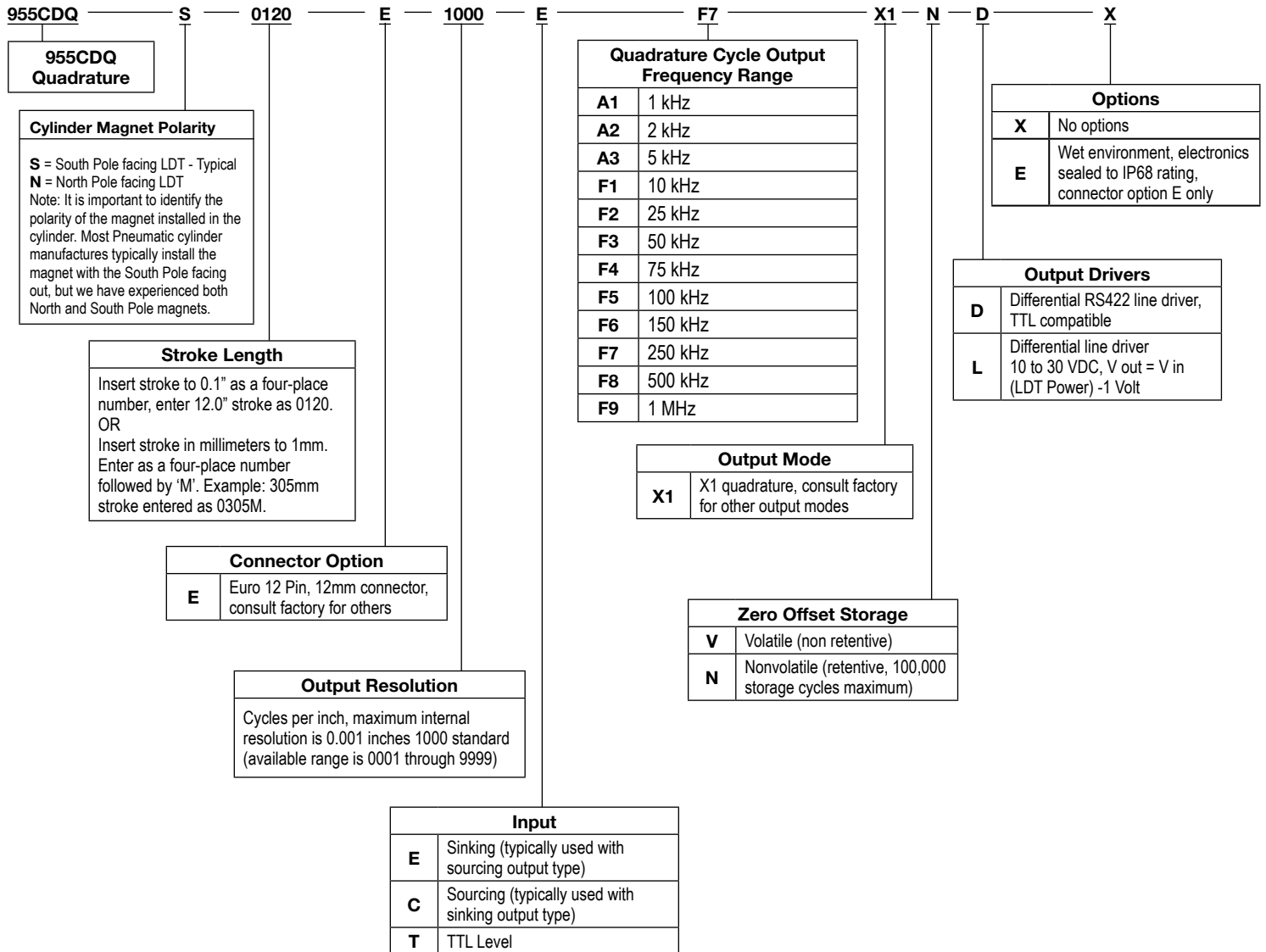


955

Accessories for 955CD	
Item	Part Number
Top Mounting Foot (2 min. required)	SD0522000
End Mounting Feet- Set includes 2 pieces	SD0530600
Side Mounting Feet - Set includes 4 pieces	SD0559200
6 Ft., 6 Pin Cable	949021L6
12 Ft., 6 Pin Cable	949021L12
6 Ft., 6 Pin Cable; Right Angle Connector	949022L6
12 Ft., 6 Pin Cable; Right Angle Connector	949022L12
<b>For non-standard lengths, consult factory.</b>	



## 955CDQ BRIK Gen III Part Numbering



Accessories for 955CDQ	
Item	Part Number
Top Mounting Foot (2 min. required)	SD0522000
End Mounting Feet - Set includes 2 pieces	SD0530600
Side Mounting Feet - Set includes 4 pieces	SD0559200
6 Ft., 12 Pin (Option E Connector)	949023L6
12 Ft., 12 Pin (Option E Connector)	949023L12
<b>For non-standard lengths, consult factory.</b>	

