



Pneumatic Division
Wadsworth, OH 44281

CYL-SIF-06

P1M Seal Kits

ISSUED: March, 2015

Supersedes: None

This bulletin includes a list of purchased P1M part numbers from July 2012 thru January of 2015 with the corresponding seal kit part number.

This list excludes 1PP1M Part #s that have been created for special proprietary customers or specials that were created after March 31st, 2014. Please see the seal kit breakdown as well as the disassembly, seal replacement, and reassembly instructions at the end of bulletin.

Part Number	Seal Kit Number	Part Number	Seal Kit Number	Part Number	Seal Kit Number
P1M012ADNA5G100	P1M-6DRT	P1M016CDNY6G015	P1M-6FRT	P1M020CDBY3G015	P1M-6HRT
P1M012CDCY4K025	P1M-6DRT	P1M016CDNY6G040	P1M-6FRT	P1M020CDBY6G020	P1M-6HRT
P1M012CDCY5G015	P1M-6DRT	P1M016CDNY9J008	P1M-6FRT	P1M020CDBY9G020	P1M-6HRT
P1M012CDCY5G020	P1M-6DRT	P1M016CFDMA6G030	P1M-6FRT	P1M020CDCY4G013	P1M-6HRT
P1M012CDCY9J012	P1M-6DRT	P1M016CFDMA6J025	P1M-6FRT	P1M020CDCY5G020	P1M-6HRT
P1M012CDCY9J025	P1M-6DRT	P1M016CFDMA6J037	P1M-6FRT	P1M020CDCY5J015	P1M-6HRT
P1M012CDCY9K050	P1M-6DRT	P1M016CKMY5H020	P1M-6FRT	P1M020CDCY6G020	P1M-6HRT
P1M012CDMY5G050	P1M-6DRT	P1M016CKMY6G020	P1M-6FRT	P1M020CDCY6H030	P1M-6HRT
P1M012CDMY6H030	P1M-6DRT	P1M016CKNY4G025	P1M-6FRT	P1M020CDCY6J010	P1M-6HRT
P1M012CDMY9G003	P1M-6DRT	P1M016CRCY9G010	P1M-6FRT	P1M020CDCY9G020	P1M-6HRT
P1M012CDNA5G030	P1M-6DRT	P1M016FDBY6G045	P1M-6FRT	P1M020CDCY9G030	P1M-6HRT
P1M012CDNA5K150	P1M-6DRT	P1M016FDBY9H025	P1M-6FRT	P1M020CDCY9G035	P1M-6HRT
P1M012CDNA9G012	P1M-6DRT	P1M016FDCY6H020	P1M-6FRT	P1M020CDCY9J005	P1M-6HRT
P1M012CDNA9G019	P1M-6DRT	P1M016FDMA4G050	P1M-6FRT	P1M020CDGY6G005	P1M-6HRT
P1M012CDNA9G075	P1M-6DRT	P1M016FDNY4G050	P1M-6FRT	P1M020CDMA5G010	P1M-6HRT
P1M012CDNY4H020	P1M-6DRT	P1M016FDNA9J102	P1M-6FRT	P1M020CDMA5G050	P1M-6HRT
P1M012CDNY5G005	P1M-6DRT	P1M016FDNY5G050	P1M-6FRT	P1M020CDMA6G020	P1M-6HRT
P1M012CDNY9G012	P1M-6DRT	P1M016FDNY9G030	P1M-6FRT	P1M020CDMA6G025	P1M-6HRT
P1M012CECY9H005	P1M-6DRT	P1M016FFDMA6J025	P1M-6FRT	P1M020CDMA6J030	P1M-6HRT
P1M012CFDBA6G020	P1M-6DRT	P1M016FFDMA6K025	P1M-6FRT	P1M020CDMA6J050	P1M-6HRT
P1M012CFDMA6G012	P1M-6DRT	P1M016FRCY4G010	P1M-6FRT	P1M020CDMA6J050	P1M-6HRT
P1M012CFDMA6G030	P1M-6DRT	P1M016HDCY9H022	P1M-6FRT	P1M020CDMY4K020	P1M-6HRT
P1M012CKCY66G025	P1M-6DRT	P1M016HDNA9G030	P1M-6FRT	P1M020CDMY5G005	P1M-6HRT
P1M012CRCY9J010	P1M-6DRT	P1M016HFDMA6G025	P1M-6FRT	P1M020CDMY5H025	P1M-6HRT
P1M012FDNA9G076	P1M-6DRT	P1M016J/ECY9G025	P1M-6FRT	P1M020CDMY6G020	P1M-6HRT
P1M012FFDMA6G025	P1M-6DRT	P1M016JDCY4H025	P1M-6FRT	P1M020CDMY6K020	P1M-6HRT
P1M012FFDMA6J050	P1M-6DRT	P1M016JDMY6H005	P1M-6FRT	P1M020CDMY9G005	P1M-6HRT
P1M012FFKBA6G032	P1M-6DRT	P1M016JDN9H025	P1M-6FRT	P1M020CDMY9G034	P1M-6HRT
P1M012FKNA99G064	P1M-6DRT	P1M016JDNY9G015	P1M-6FRT	P1M020CDMY9G050	P1M-6HRT
P1M012FKNA9G064	P1M-6DRT	P1M016JDNY9G030	P1M-6FRT	P1M020CDMY9J010	P1M-6HRT
P1M012HRBY9G010	P1M-6DRT	P1M016JDNY9G050	P1M-6FRT	P1M020CDMY9K045	P1M-6HRT
P1M012JDMY4K025	P1M-6DRT	P1M016JDNY9J040	P1M-6FRT	P1M020CDNA4G012	P1M-6HRT
P1M012JKBY5G010	P1M-6DRT	-----	-----	P1M020CDNA4G045	P1M-6HRT
-----	-----	P1M020ADBY4G038	P1M-6HRT	P1M020CDNA6G040	P1M-6HRT
P1M016BDNY5G010	P1M-6FRT	P1M020ADCY4G032	P1M-6HRT	P1M020CDNA6G080	P1M-6HRT
P1M016BDNY5G014	P1M-6FRT	P1M020ADCY4J050	P1M-6HRT	P1M020CDNA6H175	P1M-6HRT
P1M016CDBY4G025	P1M-6FRT	P1M020ADGY4G025	P1M-6HRT	P1M020CDNA9G025	P1M-6HRT
P1M016CDCY4G010	P1M-6FRT	P1M020ADMY5H025	P1M-6HRT	P1M020CDNA9G040	P1M-6HRT
P1M016CDCY6G015	P1M-6FRT	P1M020ADNA5G100	P1M-6HRT	P1M020CDNA9J010	P1M-6HRT
P1M016CDCY9G012	P1M-6FRT	P1M020ADNY4G050	P1M-6HRT	P1M020CDNY4G012	P1M-6HRT
P1M016CDMA9J025	P1M-6FRT	P1M020ADNY9H010	P1M-6HRT	P1M020CDNY4G013	P1M-6HRT
P1M016CDMY9G025	P1M-6FRT	P1M020BDCY4H022	P1M-6HRT	P1M020CDNY4G020	P1M-6HRT
P1M016CDNA6G025	P1M-6FRT	P1M020C/DCY3G029	P1M-6HRT	P1M020CDNY4G034	P1M-6HRT
P1M016CDNY3G022	P1M-6FRT	P1M020C/DNA6G010	P1M-6HRT	P1M020CDNY4G050	P1M-6HRT
P1M016CDNY5G015	P1M-6FRT	P1M020C/RNY6G020	P1M-6HRT	P1M020CDNY6G012	P1M-6HRT
P1M016CDNY5G025	P1M-6FRT	P1M020CBDMA6G010	P1M-6HRT	P1M020CDNY6G020	P1M-6HRT

Continued on next page.

Part Number	Seal Kit Number
P1M020CDNY6G025	P1M-6HRT
P1M020CDNY6H020	P1M-6HRT
P1M020CDNY6K025	P1M-6HRT
P1M020CDNY6K030	P1M-6HRT
P1M020CDNY6K040	P1M-6HRT
P1M020CDNY9G025	P1M-6HRT
P1M020CDNY9G030	P1M-6HRT
P1M020CDNY9G035	P1M-6HRT
P1M020CDNY9G050	P1M-6HRT
P1M020CDNY9J010	P1M-6HRT
P1M020CECY3G010	P1M-6HRT
P1M020CECY6J010	P1M-6HRT
P1M020CECY9G010	P1M-6HRT
P1M020CFDBA6G025	P1M-6HRT
P1M020CFDMA6G040	P1M-6HRT
P1M020CFDMA6J020	P1M-6HRT
P1M020CFDMA6J040	P1M-6HRT
P1M020CKBY55G025	P1M-6HRT
P1M020CKBY5G025	P1M-6HRT
P1M020CKMY99G025	P1M-6HRT
P1M020CRCY9J005	P1M-6HRT
P1M020CRMY6G010	P1M-6HRT
P1M020FDBY9J020	P1M-6HRT
P1M020FDCY4J050	P1M-6HRT
P1M020FDCY5J050	P1M-6HRT
P1M020FDCY6G015	P1M-6HRT
P1M020FDCY9G015	P1M-6HRT
P1M020FDMA6J076	P1M-6HRT
P1M020FDMY4G025	P1M-6HRT
P1M020FDNA5G050	P1M-6HRT
P1M020FDNY4H038	P1M-6HRT
P1M020FDNY4J050	P1M-6HRT
P1M020FDNY5H025	P1M-6HRT
P1M020FDNY9G035	P1M-6HRT
P1M020FDNY9J012	P1M-6HRT
P1M020FFDMA6H020	P1M-6HRT
P1M020FFDMA6J015	P1M-6HRT
P1M020FKNA5J150	P1M-6HRT
P1M020FKNY5G010	P1M-6HRT
P1M020FRMY9J010	P1M-6HRT
P1M020HDBY3G032	P1M-6HRT
P1M020HDCY9J012	P1M-6HRT
P1M020HDMY4G010	P1M-6HRT
P1M020HFDMA6G025	P1M-6HRT
P1M020HFDMA6G050	P1M-6HRT
P1M020HFDMA6H030	P1M-6HRT
P1M020HFDMA6H075	P1M-6HRT
P1M020JDCY5G020	P1M-6HRT
P1M020JDMY4G035	P1M-6HRT
P1M020JDMY5G030	P1M-6HRT

P1M025ADCY4J005	P1M-6JRT
P1M025ADCY4J015	P1M-6JRT
P1M025ADCY6G030	P1M-6JRT
P1M025B/DCY4H100	P1M-6JRT
P1M025BDBY5H010	P1M-6JRT
P1M025BDCY9G015	P1M-6JRT
P1M025BDCY9G050	P1M-6JRT
P1M025BDMA5H025	P1M-6JRT
P1M025BDMY5J030	P1M-6JRT
P1M025BDNA5J075	P1M-6JRT
P1M025BDNY4G025	P1M-6JRT

Part Number	Seal Kit Number
P1M025CBDMA6H050	P1M-6JRT
P1M025CDBY5G050	P1M-6JRT
P1M025CDBY5H050	P1M-6JRT
P1M025CDBY5J050	P1M-6JRT
P1M025CDBY6G035	P1M-6JRT
P1M025CDBY9G040	P1M-6JRT
P1M025CDCA6G025	P1M-6JRT
P1M025CDCA6J050	P1M-6JRT
P1M025CDCY3G025	P1M-6JRT
P1M025CDCY4J038	P1M-6JRT
P1M025CDCY5G020	P1M-6JRT
P1M025CDCY6G015	P1M-6JRT
P1M025CDCY6G025	P1M-6JRT
P1M025CDCY6G030	P1M-6JRT
P1M025CDCY9G025	P1M-6JRT
P1M025CDCY9G040	P1M-6JRT
P1M025CDCY9K050	P1M-6JRT
P1M025CDGY3G050	P1M-6JRT
P1M025CDGY4G050	P1M-6JRT
P1M025CDGY5G050	P1M-6JRT
P1M025CDMA4G155	P1M-6JRT
P1M025CDMA4H200	P1M-6JRT
P1M025CDMA5G010	P1M-6JRT
P1M025CDMA6G025	P1M-6JRT
P1M025CDMA9J025	P1M-6JRT
P1M025CDMY5K050	P1M-6JRT
P1M025CDMY6G020	P1M-6JRT
P1M025CDMY9G013	P1M-6JRT
P1M025CDMY9G020	P1M-6JRT
P1M025CDMY9H038	P1M-6JRT
P1M025CDNA4J015	P1M-6JRT
P1M025CDNA6G010	P1M-6JRT
P1M025CDNA6G151	P1M-6JRT
P1M025CDNA6J015	P1M-6JRT
P1M025CDNA9G012	P1M-6JRT
P1M025CDNA9J010	P1M-6JRT
P1M025CDNA9J030	P1M-6JRT
P1M025CDNA9J100	P1M-6JRT
P1M025CDNA9J160	P1M-6JRT
P1M025CDNY4G030	P1M-6JRT
P1M025CDNY4J040	P1M-6JRT
P1M025CDNY5J025	P1M-6JRT
P1M025CDNY6G020	P1M-6JRT
P1M025CDNY6G025	P1M-6JRT
P1M025CDNY6G030	P1M-6JRT
P1M025CDNY6H015	P1M-6JRT
P1M025CDNY6H030	P1M-6JRT
P1M025CDNY9G012	P1M-6JRT
P1M025CDNY9G013	P1M-6JRT
P1M025CDNY9G020	P1M-6JRT
P1M025CDNY9G025	P1M-6JRT
P1M025CDNY9G040	P1M-6JRT
P1M025CDNY9K010	P1M-6JRT
P1M025CECY9G010	P1M-6JRT
P1M025CEMA6G010	P1M-6JRT
P1M025CFDBA6G025	P1M-6JRT
P1M025CFDBA6G050	P1M-6JRT
P1M025CFDBA6J030	P1M-6JRT
P1M025CFDFA6J015	P1M-6JRT
P1M025CFDFA6J020	P1M-6JRT
P1M025CFDFA6K020	P1M-6JRT
P1M025CFDMA6G010	P1M-6JRT

Part Number	Seal Kit Number
P1M025CFDMA6G025	P1M-6JRT
P1M025CFDMA6G030	P1M-6JRT
P1M025CFDMA6G035	P1M-6JRT
P1M025CFDMA6G040	P1M-6JRT
P1M025CFDMA6H012	P1M-6JRT
P1M025CFDMA6H040	P1M-6JRT
P1M025CFDMA6J020	P1M-6JRT
P1M025CFDMA6K025	P1M-6JRT
P1M025CKBY6G038	P1M-6JRT
P1M025CKCY4G018	P1M-6JRT
P1M025CKCY5H020	P1M-6JRT
P1M025CKCY6G005	P1M-6JRT
P1M025CKCY6G005	P1M-6JRT
P1M025CKCY6G025	P1M-6JRT
P1M025CKCY9G018	P1M-6JRT
P1M025CKGY9G015	P1M-6JRT
P1M025CKMA55G065	P1M-6JRT
P1M025CKNY66G025	P1M-6JRT
P1M025CKNY6G025	P1M-6JRT
P1M025CKNY9G025	P1M-6JRT
P1M025CRCY4J010	P1M-6JRT
P1M025F/DNA3G063	P1M-6JRT
P1M025FDCY4G025	P1M-6JRT
P1M025FDCY5G050	P1M-6JRT
P1M025FDCY9G008	P1M-6JRT
P1M025FDCY9H050	P1M-6JRT
P1M025FDMY9J030	P1M-6JRT
P1M025FDNA3J063	P1M-6JRT
P1M025FDNA4G065	P1M-6JRT
P1M025FDNA4G080	P1M-6JRT
P1M025FDNA4G090	P1M-6JRT
P1M025FDNY6G020	P1M-6JRT
P1M025FFDBA6G050	P1M-6JRT
P1M025FFDMA6G015	P1M-6JRT
P1M025FFDMA6G040	P1M-6JRT
P1M025FFDMA6H030	P1M-6JRT
P1M025FKMA9G036	P1M-6JRT
P1M025HDNY5J015	P1M-6JRT
P1M025HFDBA6H055	P1M-6JRT
P1M025HFDBA6J020	P1M-6JRT
P1M025HFDMA6G025	P1M-6JRT
P1M025HFDMA6J050	P1M-6JRT
P1M025JDBY5G020	P1M-6JRT
P1M025JDBY5H025	P1M-6JRT
P1M025JDCY4J025	P1M-6JRT
P1M025JDCY9G025	P1M-6JRT
P1M025JDCY9G050	P1M-6JRT
P1M025JDMA4G200	P1M-6JRT
P1M025JDMA6J100	P1M-6JRT
P1M025JDMY4J050	P1M-6JRT
P1M025JDMY5G015	P1M-6JRT
P1M025JDMY6H020	P1M-6JRT
P1M025JDMY9G015	P1M-6JRT
P1M025JDNA4K050	P1M-6JRT
P1M025JDNA9G010	P1M-6JRT
P1M025JDNA9G040	P1M-6JRT
P1M025JDNY4H050	P1M-6JRT
P1M025JDNY9G040	P1M-6JRT
P1M025JDNY9J030	P1M-6JRT
P1M025JDNY9J050	P1M-6JRT
P1M025JKCY55G010	P1M-6JRT
P1M025JKCY55G020	P1M-6JRT

Part Number	Seal Kit Number
P1M025JKCY5G010.....	P1M-6JRT
-----	-----
P1M032A/ECY5G083	P1M-6KRT
P1M032A/ECY5G084	P1M-6KRT
P1M032ADCP5N050	P1M-6KRT
P1M032ADCP5N070	P1M-6KRT
P1M032ADCP5N100	P1M-6KRT
P1M032ADCP9G035	P1M-6KRT
P1M032ADCP9H040	P1M-6KRT
P1M032ADCP9N025	P1M-6KRT
P1M032ADCY5N100	P1M-6KRT
P1M032ADMC4N075	P1M-6KRT
P1M032ADMP5G080	P1M-6KRT
P1M032ADMP5N025	P1M-6KRT
P1M032ADMP6G040.....	P1M-6KRT
P1M032ADMP6M100	P1M-6KRT
P1M032ADNC5L140.....	P1M-6KRT
P1M032ADNC5N170	P1M-6KRT
P1M032ADNC5N250	P1M-6KRT
P1M032ADNC9N040	P1M-6KRT
P1M032ADNP4N100	P1M-6KRT
P1M032ADNP5G065	P1M-6KRT
P1M032ADNP9M080	P1M-6KRT
P1M032ADNP9N025	P1M-6KRT
P1M032BDPC4L035.....	P1M-6KRT
P1M032BDMC4N029	P1M-6KRT
P1M032BDMC4N100	P1M-6KRT
P1M032BDMC5M032	P1M-6KRT
P1M032BDNC4N057	P1M-6KRT
P1M032BDNP5G045	P1M-6KRT
P1M032BDNP5N020	P1M-6KRT
P1M032BDNY9N061	P1M-6KRT
P1M032C/DCP3G095.....	P1M-6KRT
P1M032C/DCP3L025	P1M-6KRT
P1M032C/DCP3M019	P1M-6KRT
P1M032C/DCP3N095	P1M-6KRT
P1M032C/DCP6G055.....	P1M-6KRT
P1M032C/DCP6N055.....	P1M-6KRT
P1M032C/DMP6G012	P1M-6KRT
P1M032C/DMP6G020	P1M-6KRT
P1M032C/DMY3K037.....	P1M-6KRT
P1M032C/DMY6H020	P1M-6KRT
P1M032C/DNA6P018	P1M-6KRT
P1M032C/DNP4L055	P1M-6KRT
P1M032C/ECY6H054	P1M-6KRT
P1M032CDBA9N025	P1M-6KRT
P1M032CDBC5G075.....	P1M-6KRT
P1M032CDBP6G030	P1M-6KRT
P1M032CDBP9N020	P1M-6KRT
P1M032CDBY9N050	P1M-6KRT
P1M032CDCC6H020.....	P1M-6KRT
P1M032CDCP3G075.....	P1M-6KRT
P1M032CDCP3M019	P1M-6KRT
P1M032CDCP4N020	P1M-6KRT
P1M032CDCP4N050	P1M-6KRT
P1M032CDCP4N085	P1M-6KRT
P1M032CDCP5G019.....	P1M-6KRT
P1M032CDCP5G020.....	P1M-6KRT
P1M032CDCP5G025.....	P1M-6KRT
P1M032CDCP5L040.....	P1M-6KRT
P1M032CDCP6G005.....	P1M-6KRT
P1M032CDCP6G012.....	P1M-6KRT

Part Number	Seal Kit Number
P1M032CDCP6G015	P1M-6KRT
P1M032CDCP6G025	P1M-6KRT
P1M032CDCP6G040	P1M-6KRT
P1M032CDCP6G050	P1M-6KRT
P1M032CDCP6L016.....	P1M-6KRT
P1M032CDCP6M020	P1M-6KRT
P1M032CDCP6M030	P1M-6KRT
P1M032CDCP6N010	P1M-6KRT
P1M032CDCP6N050	P1M-6KRT
P1M032CDCP9G008.....	P1M-6KRT
P1M032CDCP9G100.....	P1M-6KRT
P1M032CDCP9L075.....	P1M-6KRT
P1M032CDCP9M010	P1M-6KRT
P1M032CDCP9M040	P1M-6KRT
P1M032CDCP9N010	P1M-6KRT
P1M032CDCP9N015	P1M-6KRT
P1M032CDCP9N030	P1M-6KRT
P1M032CDCP9N050	P1M-6KRT
P1M032CDCP9N070	P1M-6KRT
P1M032CDCP9N080	P1M-6KRT
P1M032CDCP9N100	P1M-6KRT
P1M032CDCY5G015.....	P1M-6KRT
P1M032CDCY9H025	P1M-6KRT
P1M032CDGP9G025.....	P1M-6KRT
P1M032CDGY4H030	P1M-6KRT
P1M032CDMA5H010	P1M-6KRT
P1M032CDMA6G015	P1M-6KRT
P1M032CDMA6G025	P1M-6KRT
P1M032CDMA6G040	P1M-6KRT
P1M032CDMA6J030	P1M-6KRT
P1M032CDMC4L050.....	P1M-6KRT
P1M032CDMC4N055	P1M-6KRT
P1M032CDMC5G075.....	P1M-6KRT
P1M032CDMC5J020.....	P1M-6KRT
P1M032CDMC6M025.....	P1M-6KRT
P1M032CDMC6N025.....	P1M-6KRT
P1M032CDMC9L010.....	P1M-6KRT
P1M032CDMP4H060	P1M-6KRT
P1M032CDMP4L030	P1M-6KRT
P1M032CDMP4M100	P1M-6KRT
P1M032CDMP4N010	P1M-6KRT
P1M032CDMP4N019	P1M-6KRT
P1M032CDMP5G020	P1M-6KRT
P1M032CDMP5G025	P1M-6KRT
P1M032CDMP5G040	P1M-6KRT
P1M032CDMP5G060	P1M-6KRT
P1M032CDMP6G012	P1M-6KRT
P1M032CDMP6G020	P1M-6KRT
P1M032CDMP6G025	P1M-6KRT
P1M032CDMP6G050	P1M-6KRT
P1M032CDMP6N012	P1M-6KRT
P1M032CDMP6N025	P1M-6KRT
P1M032CDMP6N050	P1M-6KRT
P1M032CDMP9L013	P1M-6KRT
P1M032CDMP9M020	P1M-6KRT
P1M032CDMP9M050	P1M-6KRT
P1M032CDMP9N025	P1M-6KRT
P1M032CDMP9N030	P1M-6KRT
P1M032CDMP9N050	P1M-6KRT
P1M032CDMP9N070	P1M-6KRT
P1M032CDMP9N072	P1M-6KRT
P1M032CDMY5N030.....	P1M-6KRT

Part Number	Seal Kit Number
P1M032CDMY5N060.....	P1M-6KRT
P1M032CDMY5N070.....	P1M-6KRT
P1M032CDMY6H020.....	P1M-6KRT
P1M032CDMY6J020	P1M-6KRT
P1M032CDMY6P025.....	P1M-6KRT
P1M032CDNA4L051.....	P1M-6KRT
P1M032CDNA6J040.....	P1M-6KRT
P1M032CDNA6N025.....	P1M-6KRT
P1M032CDNC3M100	P1M-6KRT
P1M032CDNC4N016.....	P1M-6KRT
P1M032CDNC5G015.....	P1M-6KRT
P1M032CDNC5G020.....	P1M-6KRT
P1M032CDNC5G025.....	P1M-6KRT
P1M032CDNC5G030.....	P1M-6KRT
P1M032CDNC5G035.....	P1M-6KRT
P1M032CDNC5G050.....	P1M-6KRT
P1M032CDNC5G080.....	P1M-6KRT
P1M032CDNC5N110.....	P1M-6KRT
P1M032CDNC6J010	P1M-6KRT
P1M032CDNC6L015	P1M-6KRT
P1M032CDNC6M025	P1M-6KRT
P1M032CDNC6M075	P1M-6KRT
P1M032CDNC9H015.....	P1M-6KRT
P1M032CDNC9L010.....	P1M-6KRT
P1M032CDNC9L015	P1M-6KRT
P1M032CDNC9M010	P1M-6KRT
P1M032CDNC9M015	P1M-6KRT
P1M032CDNC9M020	P1M-6KRT
P1M032CDNC9M025	P1M-6KRT
P1M032CDNC9N013.....	P1M-6KRT
P1M032CDNC9N015.....	P1M-6KRT
P1M032CDNC9N019.....	P1M-6KRT
P1M032CDNC9N025.....	P1M-6KRT
P1M032CDNC9N030.....	P1M-6KRT
P1M032CDNC9N075.....	P1M-6KRT
P1M032CDNC9N100.....	P1M-6KRT
P1M032CDNC9N150.....	P1M-6KRT
P1M032CDNC9N175.....	P1M-6KRT
P1M032CDNC9N250.....	P1M-6KRT
P1M032CDNP4L040.....	P1M-6KRT
P1M032CDNP4L055.....	P1M-6KRT
P1M032CDNP4M020	P1M-6KRT
P1M032CDNP4M025	P1M-6KRT
P1M032CDNP4M040	P1M-6KRT
P1M032CDNP4N032	P1M-6KRT
P1M032CDNP5G008.....	P1M-6KRT
P1M032CDNP5G025.....	P1M-6KRT
P1M032CDNP5G050.....	P1M-6KRT
P1M032CDNP6G005.....	P1M-6KRT
P1M032CDNP6G010.....	P1M-6KRT
P1M032CDNP6G015.....	P1M-6KRT
P1M032CDNP6G030.....	P1M-6KRT
P1M032CDNP6G040.....	P1M-6KRT
P1M032CDNP6H030.....	P1M-6KRT
P1M032CDNP6J010.....	P1M-6KRT
P1M032CDNP6K009	P1M-6KRT
P1M032CDNP6L009.....	P1M-6KRT
P1M032CDNP6N005	P1M-6KRT
P1M032CDNP6N008	P1M-6KRT
P1M032CDNP6N020	P1M-6KRT
P1M032CDNP6N040.....	P1M-6KRT
P1M032CDNP6N050.....	P1M-6KRT

Part Number	Seal Kit Number
P1M032CDNP6N080	P1M-6KRT
P1M032CDNP9G025	P1M-6KRT
P1M032CDNP9J030	P1M-6KRT
P1M032CDNP9L050	P1M-6KRT
P1M032CDNP9L055	P1M-6KRT
P1M032CDNP9L060	P1M-6KRT
P1M032CDNP9N020	P1M-6KRT
P1M032CDNP9N025	P1M-6KRT
P1M032CDNP9N027	P1M-6KRT
P1M032CDNP9N080	P1M-6KRT
P1M032CDNY4N060	P1M-6KRT
P1M032CDNY5G015	P1M-6KRT
P1M032CDNY6G040	P1M-6KRT
P1M032CDNY6G080	P1M-6KRT
P1M032CDNY9L015	P1M-6KRT
P1M032CDNY9L025	P1M-6KRT
P1M032CDNY9N055	P1M-6KRT
P1M032CECY4G010	P1M-6KRT
P1M032CECY6N010	P1M-6KRT
P1M032CECY9L010	P1M-6KRT
P1M032CFDBA6L015	P1M-6KRT
P1M032CFDBA6N025	P1M-6KRT
P1M032CFDBA6N035	P1M-6KRT
P1M032CFDBA6N050	P1M-6KRT
P1M032CFDBC6L015	P1M-6KRT
P1M032CFDBC6M080	P1M-6KRT
P1M032CFDBC6N050	P1M-6KRT
P1M032CFDMA6G012	P1M-6KRT
P1M032CFDMA6G098	P1M-6KRT
P1M032CFDMA6M010	P1M-6KRT
P1M032CFDMA6N010	P1M-6KRT
P1M032CFDMA6N012	P1M-6KRT
P1M032CFDMA6N025	P1M-6KRT
P1M032CFDMC6G012	P1M-6KRT
P1M032CFDMC6G015	P1M-6KRT
P1M032CFDMC6G025	P1M-6KRT
P1M032CFDMC6G080	P1M-6KRT
P1M032CFDMC6L025	P1M-6KRT
P1M032CFDMC6M012	P1M-6KRT
P1M032CFDMC6N075	P1M-6KRT
P1M032CFKMA6N032	P1M-6KRT
P1M032CFKMC6M012	P1M-6KRT
P1M032CFKMC6M032	P1M-6KRT
P1M032CHFBC6L010	L078660032
P1M032CHFBC6L020	L078660032
P1M032CHFBC6N020	L078660032
P1M032CHFMC6H020	L078660032
P1M032CHFMC6L010	L078660032
P1M032CHFMC6L020	L078660032
P1M032CHFMC6M010	L078660032
P1M032CHFMC6M020	L078660032
P1M032CHFMC6N020	L078660032
P1M032CHFVC6L010	L078660032
P1M032CHFVC6P010	L078660032
P1M032CHLBC6L020	L078660032
P1M032CHLBC6N020	L078660032
P1M032CHLMC6G010	L078660032
P1M032CHLMC6H020	L078660032
P1M032CHLMC6L020	L078660032
P1M032CHLMC6M020	L078660032
P1M032CHLMC6N020	L078660032
P1M032CKBC9N075	P1M-6KRT

Part Number	Seal Kit Number
P1M032CKBP49N050	P1M-6KRT
P1M032CKCP3G020	P1M-6KRT
P1M032CKCP3G050	P1M-6KRT
P1M032CKCP5G060	P1M-6KRT
P1M032CKCP5N050	P1M-6KRT
P1M032CKCP5N060	P1M-6KRT
P1M032CKCP99N040	P1M-6KRT
P1M032CKCP9N040	P1M-6KRT
P1M032CKMP6G025	P1M-6KRT
P1M032CKNC66G025	P1M-6KRT
P1M032CKNC66H020	P1M-6KRT
P1M032CKNC6H020	P1M-6KRT
P1M032CKNC99N025	P1M-6KRT
P1M032CKNC9N016	P1M-6KRT
P1M032CKNC9N019	P1M-6KRT
P1M032CKNC9N025	P1M-6KRT
P1M032CKNP66G080	P1M-6KRT
P1M032CKNP9L030	P1M-6KRT
P1M032CKNP9N075	P1M-6KRT
P1M032CRCP9G010	P1M-6KRT
P1M032F/DCP3G066	P1M-6KRT
P1M032FDBP9N080	P1M-6KRT
P1M032FDCP4N030	P1M-6KRT
P1M032FDCP5L010	P1M-6KRT
P1M032FDCP9G025	P1M-6KRT
P1M032FDCP9J075	P1M-6KRT
P1M032FDCP9L075	P1M-6KRT
P1M032FDCY9G015	P1M-6KRT
P1M032FDGY6J050	P1M-6KRT
P1M032FDGY6L025	P1M-6KRT
P1M032FDMA6H025	P1M-6KRT
P1M032FDMC4M076	P1M-6KRT
P1M032FDMC9L125	P1M-6KRT
P1M032FDMC9L305	P1M-6KRT
P1M032FDMC9M075	P1M-6KRT
P1M032FDMP4N090	P1M-6KRT
P1M032FDMP6M085	P1M-6KRT
P1M032FDMP6N025	P1M-6KRT
P1M032FDMP9N045	P1M-6KRT
P1M032FDNC9L100	P1M-6KRT
P1M032FDNP4N013	P1M-6KRT
P1M032FDNP4N025	P1M-6KRT
P1M032FDNP6G060	P1M-6KRT
P1M032FDNP6J020	P1M-6KRT
P1M032FDNP6M015	P1M-6KRT
P1M032FDNY5G025	P1M-6KRT
P1M032FDNY9M019	P1M-6KRT
P1M032FDNY9M035	P1M-6KRT
P1M032FFDBC6M025	P1M-6KRT
P1M032FFDBC6P025	P1M-6KRT
P1M032FFDMA6G020	P1M-6KRT
P1M032FFDMA6J015	P1M-6KRT
P1M032FFDMA6N050	P1M-6KRT
P1M032FFDMA6N100	P1M-6KRT
P1M032FFDMC6L030	P1M-6KRT
P1M032FFKBC6L075	P1M-6KRT
P1M032FFKBC6N080	P1M-6KRT
P1M032FFKMA6N050	P1M-6KRT
P1M032FFKMC6M050	P1M-6KRT
P1M032FFKBP99N075	P1M-6KRT
P1M032FKCP4N025	P1M-6KRT
P1M032FKMA6N025	P1M-6KRT

Part Number	Seal Kit Number
P1M032FKNC66M050	P1M-6KRT
P1M032FKNC9J150	P1M-6KRT
P1M032HDBP4N013	P1M-6KRT
P1M032HDCP6G010	P1M-6KRT
P1M032HDCP6L055	P1M-6KRT
P1M032HDCP6L060	P1M-6KRT
P1M032HDMC6N055	P1M-6KRT
P1M032HDMP4L025	P1M-6KRT
P1M032HDMP4N075	P1M-6KRT
P1M032HDNP4L030	P1M-6KRT
P1M032HFDBA6L025	P1M-6KRT
P1M032HFDBA6L050	P1M-6KRT
P1M032HFDBA6N025	P1M-6KRT
P1M032HFDBA6N026	P1M-6KRT
P1M032HFDBC6N040	P1M-6KRT
P1M032HFDMA6H015	P1M-6KRT
P1M032HFDMA6H050	P1M-6KRT
P1M032HFDMA6M020	P1M-6KRT
P1M032HHFBC6L020	L078660032
P1M032HHFMC6M020	L078660032
P1M032HHFMC6N020	L078660032
P1M032HHLBC6L020	L078660032
P1M032HHLBC6N020	L078660032
P1M032J/DCP3M038	P1M-6KRT
P1M032J/EMP5K010	P1M-6KRT
P1M032JDBP6G075	P1M-6KRT
P1M032JDBP9P100	P1M-6KRT
P1M032JDC6N150	P1M-6KRT
P1M032JDCP4G025	P1M-6KRT
P1M032JDCP5G100	P1M-6KRT
P1M032JDCP5H025	P1M-6KRT
P1M032JDCY5G020	P1M-6KRT
P1M032JDMP4N025	P1M-6KRT
P1M032JDMP5N022	P1M-6KRT
P1M032JDMP6G030	P1M-6KRT
P1M032JDMP6J005	P1M-6KRT
P1M032JDMP9M030	P1M-6KRT
P1M032JDNA4L030	P1M-6KRT
P1M032JDNP4L025	P1M-6KRT
P1M032JDNP4M050	P1M-6KRT
P1M032JDNP5H025	P1M-6KRT
P1M032JDNP6K050	P1M-6KRT
P1M032JDNP9L025	P1M-6KRT
P1M032JDNY4L025	P1M-6KRT
P1M032JDNY5G020	P1M-6KRT
P1M032KHFC6N020	L078660032
P1M032KHFC6H010	L078660032
P1M032KHFC6M020	L078660032
P1M032KHFC6M020	L078660032
P1M032LHFMC6L010	L078660032
P1M032LHFMC6L020	L078660032
P1M032LHFMC6M020	L078660032
P1M032LHLMC6L010	L078660032
-----	-----
P1M040ADBC4N075	P1M-6LRT
P1M040ADBP5M025	P1M-6LRT
P1M040ADBP5N100	P1M-6LRT
P1M040ADBY5N100	P1M-6LRT
P1M040ADCP5G075	P1M-6LRT
P1M040ADCP5L025	P1M-6LRT
P1M040ADCP5L030	P1M-6LRT
P1M040ADCP5L070	P1M-6LRT

Part Number	Seal Kit Number	Part Number	Seal Kit Number	Part Number	Seal Kit Number
P1M040ADCP5L100.....	P1M-6LRT	P1M040CDCP6L050.....	P1M-6LRT	P1M040CDNC6L015.....	P1M-6LRT
P1M040ADMA9M065.....	P1M-6LRT	P1M040CDCP6M010.....	P1M-6LRT	P1M040CDNC6L032.....	P1M-6LRT
P1M040ADMC4N075.....	P1M-6LRT	P1M040CDCP6N015.....	P1M-6LRT	P1M040CDNC6L050.....	P1M-6LRT
P1M040ADMC5M220.....	P1M-6LRT	P1M040CDCP6N030.....	P1M-6LRT	P1M040CDNC6L090.....	P1M-6LRT
P1M040ADMC5N220.....	P1M-6LRT	P1M040CDCP6N050.....	P1M-6LRT	P1M040CDNC6M010.....	P1M-6LRT
P1M040ADMC9J035.....	P1M-6LRT	P1M040CDCP9G015.....	P1M-6LRT	P1M040CDNC6M015.....	P1M-6LRT
P1M040ADMP4L025.....	P1M-6LRT	P1M040CDCP9G025.....	P1M-6LRT	P1M040CDNC6M025.....	P1M-6LRT
P1M040ADMP4N075.....	P1M-6LRT	P1M040CDCP9M020.....	P1M-6LRT	P1M040CDNC6M028.....	P1M-6LRT
P1M040ADMP5G025.....	P1M-6LRT	P1M040CDCP9M040.....	P1M-6LRT	P1M040CDNC6M030.....	P1M-6LRT
P1M040ADMP5L050.....	P1M-6LRT	P1M040CDCP9M064.....	P1M-6LRT	P1M040CDNC6M215.....	P1M-6LRT
P1M040ADMP9N030.....	P1M-6LRT	P1M040CDCP9N015.....	P1M-6LRT	P1M040CDNC6N015.....	P1M-6LRT
P1M040ADNC5G020.....	P1M-6LRT	P1M040CDCP9N025.....	P1M-6LRT	P1M040CDNC6N032.....	P1M-6LRT
P1M040ADNC5N050.....	P1M-6LRT	P1M040CDCP9N030.....	P1M-6LRT	P1M040CDNC6N035.....	P1M-6LRT
P1M040ADNP4M050.....	P1M-6LRT	P1M040CDCP9N050.....	P1M-6LRT	P1M040CDNC6N040.....	P1M-6LRT
P1M040ADNP6H015.....	P1M-6LRT	P1M040CDCY5G075.....	P1M-6LRT	P1M040CDNC6N062.....	P1M-6LRT
P1M040ADNP9M100.....	P1M-6LRT	P1M040CDCY6H045.....	P1M-6LRT	P1M040CDNC6N075.....	P1M-6LRT
P1M040ADNY5L075.....	P1M-6LRT	P1M040CDCY9L013.....	P1M-6LRT	P1M040CDNC6N080.....	P1M-6LRT
P1M040BDCP4N010.....	P1M-6LRT	P1M040CDCY9L026.....	P1M-6LRT	P1M040CDNC6N105.....	P1M-6LRT
P1M040BDCP9M015.....	P1M-6LRT	P1M040CDCY9L038.....	P1M-6LRT	P1M040CDNC6N205.....	P1M-6LRT
P1M040BDCP9M060.....	P1M-6LRT	P1M040CDCY9L040.....	P1M-6LRT	P1M040CDNC6N250.....	P1M-6LRT
P1M040BDMP5J025.....	P1M-6LRT	P1M040CDCY9L100.....	P1M-6LRT	P1M040CDNC9H060.....	P1M-6LRT
P1M040BDNC4N076.....	P1M-6LRT	P1M040CDMA5G020.....	P1M-6LRT	P1M040CDNC9L010.....	P1M-6LRT
P1M040BDNC5L025.....	P1M-6LRT	P1M040CDMA5G080.....	P1M-6LRT	P1M040CDNC9L015.....	P1M-6LRT
P1M040BDNC5N250.....	P1M-6LRT	P1M040CDMA5H010.....	P1M-6LRT	P1M040CDNC9L025.....	P1M-6LRT
P1M040BDNC6L040.....	P1M-6LRT	P1M040CDMA5M100.....	P1M-6LRT	P1M040CDNC9L105.....	P1M-6LRT
P1M040BDNC9M125.....	P1M-6LRT	P1M040CDMA6G030.....	P1M-6LRT	P1M040CDNC9L130.....	P1M-6LRT
P1M040C/DCP3M019.....	P1M-6LRT	P1M040CDMA6N050.....	P1M-6LRT	P1M040CDNC9M010.....	P1M-6LRT
P1M040C/DCP3M038.....	P1M-6LRT	P1M040CDMA9P012.....	P1M-6LRT	P1M040CDNC9M015.....	P1M-6LRT
P1M040C/DCP3M38.1.....	P1M-6LRT	P1M040CDMC4N080.....	P1M-6LRT	P1M040CDNC9M020.....	P1M-6LRT
P1M040C/DGP3N023.....	P1M-6LRT	P1M040CDMC6G025.....	P1M-6LRT	P1M040CDNC9M025.....	P1M-6LRT
P1M040C/DMP5J010.....	P1M-6LRT	P1M040CDMC6J025.....	P1M-6LRT	P1M040CDNC9M030.....	P1M-6LRT
P1M040C/DNA3L150.....	P1M-6LRT	P1M040CDMC6J030.....	P1M-6LRT	P1M040CDNC9M040.....	P1M-6LRT
P1M040C/KBP3M065.....	P1M-6LRT	P1M040CDMC6J035.....	P1M-6LRT	P1M040CDNC9M050.....	P1M-6LRT
P1M040C/KBP3N065.....	P1M-6LRT	P1M040CDMC6J100.....	P1M-6LRT	P1M040CDNC9N012.....	P1M-6LRT
P1M040C/RCY4N100.....	P1M-6LRT	P1M040CDMC6J110.....	P1M-6LRT	P1M040CDNC9N015.....	P1M-6LRT
P1M040CDBP4N050.....	P1M-6LRT	P1M040CDMC6L020.....	P1M-6LRT	P1M040CDNC9N025.....	P1M-6LRT
P1M040CDBP5H020.....	P1M-6LRT	P1M040CDMC6N063.....	P1M-6LRT	P1M040CDNC9N030.....	P1M-6LRT
P1M040CDBP6G030.....	P1M-6LRT	P1M040CDMC6N065.....	P1M-6LRT	P1M040CDNC9N032.....	P1M-6LRT
P1M040CDBP6H050.....	P1M-6LRT	P1M040CDMC9L025.....	P1M-6LRT	P1M040CDNC9N050.....	P1M-6LRT
P1M040CDBP6H063.....	P1M-6LRT	P1M040CDMC9L030.....	P1M-6LRT	P1M040CDNC9N100.....	P1M-6LRT
P1M040CDBP6N040.....	P1M-6LRT	P1M040CDMC9N051.....	P1M-6LRT	P1M040CDNC9P015.....	P1M-6LRT
P1M040CDBP9L012.....	P1M-6LRT	P1M040CDMP4L010.....	P1M-6LRT	P1M040CDNC9P026.....	P1M-6LRT
P1M040CDBP9L029.....	P1M-6LRT	P1M040CDMP4L030.....	P1M-6LRT	P1M040CDNC9P075.....	P1M-6LRT
P1M040CDBP9N090.....	P1M-6LRT	P1M040CDMP4L050.....	P1M-6LRT	P1M040CDNP4L040.....	P1M-6LRT
P1M040CDBY9M025.....	P1M-6LRT	P1M040CDMP4L100.....	P1M-6LRT	P1M040CDNP4L064.....	P1M-6LRT
P1M040CDCP3G032.....	P1M-6LRT	P1M040CDMP5G015.....	P1M-6LRT	P1M040CDNP4M015.....	P1M-6LRT
P1M040CDCP3L013.....	P1M-6LRT	P1M040CDMP5J010.....	P1M-6LRT	P1M040CDNP4M025.....	P1M-6LRT
P1M040CDCP3M019.....	P1M-6LRT	P1M040CDMP6G050.....	P1M-6LRT	P1M040CDNP4N030.....	P1M-6LRT
P1M040CDCP3N050.....	P1M-6LRT	P1M040CDMP6G100.....	P1M-6LRT	P1M040CDNP4N060.....	P1M-6LRT
P1M040CDCP4H025.....	P1M-6LRT	P1M040CDMP6N015.....	P1M-6LRT	P1M040CDNP5G025.....	P1M-6LRT
P1M040CDCP4J075.....	P1M-6LRT	P1M040CDMP6P025.....	P1M-6LRT	P1M040CDNP5G036.....	P1M-6LRT
P1M040CDCP4N030.....	P1M-6LRT	P1M040CDMP9G055.....	P1M-6LRT	P1M040CDNP5G040.....	P1M-6LRT
P1M040CDCP4N050.....	P1M-6LRT	P1M040CDMP9N080.....	P1M-6LRT	P1M040CDNP5G050.....	P1M-6LRT
P1M040CDCP4N060.....	P1M-6LRT	P1M040CDMY4G060.....	P1M-6LRT	P1M040CDNP5H030.....	P1M-6LRT
P1M040CDCP4N065.....	P1M-6LRT	P1M040CDMY6G060.....	P1M-6LRT	P1M040CDNP5K020.....	P1M-6LRT
P1M040CDCP5G050.....	P1M-6LRT	P1M040CDNA6J050.....	P1M-6LRT	P1M040CDNP5N076.....	P1M-6LRT
P1M040CDCP5N020.....	P1M-6LRT	P1M040CDNA6P013.....	P1M-6LRT	P1M040CDNP6G020.....	P1M-6LRT
P1M040CDCP5N050.....	P1M-6LRT	P1M040CDNC6G010.....	P1M-6LRT	P1M040CDNP6G030.....	P1M-6LRT
P1M040CDCP6G021.....	P1M-6LRT	P1M040CDNC6G015.....	P1M-6LRT	P1M040CDNP6M025.....	P1M-6LRT
P1M040CDCP6G040.....	P1M-6LRT	P1M040CDNC6G200.....	P1M-6LRT	P1M040CDNP6N012.....	P1M-6LRT
P1M040CDCP6G050.....	P1M-6LRT	P1M040CDNC6H060.....	P1M-6LRT	P1M040CDNP6N015.....	P1M-6LRT
P1M040CDCP6G075.....	P1M-6LRT	P1M040CDNC6H125.....	P1M-6LRT	P1M040CDNP6N025.....	P1M-6LRT

Part Number	Seal Kit Number
P1M040CDNP6N035	P1M-6LRT
P1M040CDNP6N050	P1M-6LRT
P1M040CDNP9M010	P1M-6LRT
P1M040CDNP9M070	P1M-6LRT
P1M040CDNP9N025	P1M-6LRT
P1M040CDNP9N038	P1M-6LRT
P1M040CDNP9N040	P1M-6LRT
P1M040CDNP9N050	P1M-6LRT
P1M040CDNP9N100	P1M-6LRT
P1M040CDNY5M025	P1M-6LRT
P1M040CDNY6M025	P1M-6LRT
P1M040CDNY9G080	P1M-6LRT
P1M040CDNY9L006	P1M-6LRT
P1M040CDNY9L020	P1M-6LRT
P1M040CFDBA3P013	P1M-6LRT
P1M040CFDBA6G025	P1M-6LRT
P1M040CFDBA6M030	P1M-6LRT
P1M040CFDBA6M040	P1M-6LRT
P1M040CFDBA6N050	P1M-6LRT
P1M040CFDFC6G045	P1M-6LRT
P1M040CFDFC6N050	P1M-6LRT
P1M040CFDMA6G025	P1M-6LRT
P1M040CFDMA6H060	P1M-6LRT
P1M040CFDMC6G015	P1M-6LRT
P1M040CFDMC6G100	P1M-6LRT
P1M040CFDMC6L010	P1M-6LRT
P1M040CFDMC6L050	P1M-6LRT
P1M040CFDMC6L070	P1M-6LRT
P1M040CFDMC6M025	P1M-6LRT
P1M040CFDMC6N063	P1M-6LRT
P1M040CFKFC6H025	P1M-6LRT
P1M040CFKMC6N025	P1M-6LRT
P1M040CHFBC6L020	L078660040
P1M040CHFBC6M020	L078660040
P1M040CHFMC6J010	L078660040
P1M040CHFMC6J020	L078660040
P1M040CHFMC6M020	L078660040
P1M040CHFMC6N020	L078660040
P1M040CHLBC6L020	L078660040
P1M040CHLBC6M010	L078660040
P1M040CHLMC6J010	L078660040
P1M040CHLMC6J020	L078660040
P1M040CKBP3N025	P1M-6LRT
P1M040CKBP9N025	P1M-6LRT
P1M040CKCP6L020	P1M-6LRT
P1M040CKMC9L040	P1M-6LRT
P1M040CKNC66N015	P1M-6LRT
P1M040CKNC6L020	P1M-6LRT
P1M040CKNC6N037	P1M-6LRT
P1M040CKNC6N050	P1M-6LRT
P1M040CKNC99H025	P1M-6LRT
P1M040CKNC99L020	P1M-6LRT
P1M040CKNC99L065	P1M-6LRT
P1M040CKNC99N050	P1M-6LRT
P1M040CKNC9H025	P1M-6LRT
P1M040CKNC9L020	P1M-6LRT
P1M040CKNC9N019	P1M-6LRT
P1M040CKNC9N050	P1M-6LRT
P1M040CKNC9N070	P1M-6LRT
P1M040CKNC9N080	P1M-6LRT
P1M040CKNP6G030	P1M-6LRT
P1M040CRCP3L005	P1M-6LRT

Part Number	Seal Kit Number
P1M040CRCY4N010	P1M-6LRT
P1M040DCNC6N075	P1M-6LRT
P1M040FBDMC6N040	P1M-6LRT
P1M040FDBP5G050	P1M-6LRT
P1M040FDPC4G012	P1M-6LRT
P1M040FDPC4N075	P1M-6LRT
P1M040FDPC5M100	P1M-6LRT
P1M040FDPC9G010	P1M-6LRT
P1M040FDMA6N050	P1M-6LRT
P1M040FDMC9L230	P1M-6LRT
P1M040FDMP5G070	P1M-6LRT
P1M040FDMP9M100	P1M-6LRT
P1M040FDNC9M200	P1M-6LRT
P1M040FDNP5L013	P1M-6LRT
P1M040FDNP5L025	P1M-6LRT
P1M040FDNP5M075	P1M-6LRT
P1M040FDNP6H013	P1M-6LRT
P1M040FDNP6H058	P1M-6LRT
P1M040FDNP6M075	P1M-6LRT
P1M040FDNP9M025	P1M-6LRT
P1M040FDNP9N100	P1M-6LRT
P1M040FDNY5M025	P1M-6LRT
P1M040FFDBA6N075	P1M-6LRT
P1M040FFDBC6N040	P1M-6LRT
P1M040FFDBC6N100	P1M-6LRT
P1M040FFDMC6M025	P1M-6LRT
P1M040FFKBA6N050	P1M-6LRT
P1M040FKGP5G020	P1M-6LRT
P1M040H/DFA6M025	P1M-6LRT
P1M040HDBP6G050	P1M-6LRT
P1M040HDPC4L055	P1M-6LRT
P1M040HDPC4N060	P1M-6LRT
P1M040HDPC4N064	P1M-6LRT
P1M040HDPC9G025	P1M-6LRT
P1M040HDPC9G040	P1M-6LRT
P1M040HDPC9G100	P1M-6LRT
P1M040HDPC9N060	P1M-6LRT
P1M040HDPC9N075	P1M-6LRT
P1M040HDMA6N200	P1M-6LRT
P1M040HDMC6N115	P1M-6LRT
P1M040HDMP9G025	P1M-6LRT
P1M040HDNP5M090	P1M-6LRT
P1M040HDNP6G020	P1M-6LRT
P1M040HDNP9N100	P1M-6LRT
P1M040HFDBA6N025	P1M-6LRT
P1M040HFDBA6M025	P1M-6LRT
P1M040HFDMA6G025	P1M-6LRT
P1M040HFDMA6M052	P1M-6LRT
P1M040HFDMA6N025	P1M-6LRT
P1M040HFDMC6N025	P1M-6LRT
P1M040HFMC6M020	P1M-6LRT
P1M040HHFMC6N010	L078660040
P1M040HHFMC6N020	L078660040
P1M040HHLMC6N020	L078660040
P1M040J/DMC6J015	P1M-6LRT
P1M040JDBP6L070	P1M-6LRT
P1M040JDCP4L065	P1M-6LRT
P1M040JDCP5L040	P1M-6LRT
P1M040JDCP5L100	P1M-6LRT
P1M040JDCP6G100	P1M-6LRT
P1M040JDCP6L028	P1M-6LRT
P1M040JDCP9L020	P1M-6LRT

Part Number	Seal Kit Number
P1M040JDCP9N025	P1M-6LRT
P1M040JDCY9P026	P1M-6LRT
P1M040JDMC4N100	P1M-6LRT
P1M040JDMC4N110	P1M-6LRT
P1M040JDMP5G016	P1M-6LRT
P1M040JDMP5G030	P1M-6LRT
P1M040JDMP5G040	P1M-6LRT
P1M040JDCN6G170	P1M-6LRT
P1M040JDNP4N075	P1M-6LRT
P1M040JDNP5N030	P1M-6LRT
P1M040JDNP5N060	P1M-6LRT
P1M040JDNP9N100	P1M-6LRT
P1M040JDNP9P026	P1M-6LRT
P1M040JKCY9J013	P1M-6LRT
P1M040JKMP55M078	P1M-6LRT
P1M040JKNP4L090	P1M-6LRT
P1M040KHFMFC6J010	L078660040
P1M040KHFMFC6K020	L078660040
P1M040KHFMFC6L010	L078660040
P1M040KHFMFC6M020	L078660040
P1M040KHFMFC6M20	L078660040
P1M040KHFMFC6N020	L078660040
P1M040KHLMC6J010	L078660040
P1M040KHLMC6K020	L078660040
P1M040KHLMC6M020	L078660040
P1M040KHLMC6N020	L078660040
P1M040KHLMC6N020	L078660040
P1M040LHLMC3M020	L078660040
P1M040LHLMC6M010	L078660040
P1M040LHLMC6M020	L078660040
-----	-----
P1M050A/DCY4N025	P1M-6MRT
P1M050A/DMC4L050	P1M-6MRT
P1M050A/RCP5N104	P1M-6MRT
P1M050ADBP5G030	P1M-6MRT
P1M050ADBP5G080	P1M-6MRT
P1M050ADCP4N030	P1M-6MRT
P1M050ADCP4N060	P1M-6MRT
P1M050ADCP5G100	P1M-6MRT
P1M050ADCP9G080	P1M-6MRT
P1M050ADCY4N038	P1M-6MRT
P1M050ADMC4L050	P1M-6MRT
P1M050ADMC5N090	P1M-6MRT
P1M050ADMC6G140	P1M-6MRT
P1M050ADMC6N140	P1M-6MRT
P1M050ADMP4L040	P1M-6MRT
P1M050ADMP5G080	P1M-6MRT
P1M050ADMP6G050	P1M-6MRT
P1M050ADMP6L050	P1M-6MRT
P1M050ADNC4N025	P1M-6MRT
P1M050ADNC5M013	P1M-6MRT
P1M050ADNC5N050	P1M-6MRT
P1M050ADNC5N125	P1M-6MRT
P1M050ADNC5N240	P1M-6MRT
P1M050ADNC9M100	P1M-6MRT
P1M050AEBY4J020	P1M-6MRT
P1M050AECY4J020	P1M-6MRT
P1M050AECY4J020	P1M-6MRT
P1M050BDBP4M025	P1M-6MRT
P1M050BDCP9G100	P1M-6MRT
P1M050BDCY5H030	P1M-6MRT
P1M050BDMPP5M025	P1M-6MRT
P1M050BDNC4N320	P1M-6MRT

Part Number	Seal Kit Number	Part Number	Seal Kit Number	Part Number	Seal Kit Number
P1M050BDNP3M060.....	P1M-6MRT	P1M050CDMC6L020.....	P1M-6MRT	P1M050CDNP4L025.....	P1M-6MRT
P1M050BDNP9N025.....	P1M-6MRT	P1M050CDMC6N020.....	P1M-6MRT	P1M050CDNP4N050.....	P1M-6MRT
P1M050BDNY4N080.....	P1M-6MRT	P1M050CDMC6N025.....	P1M-6MRT	P1M050CDNP5G025.....	P1M-6MRT
P1M050BEBY9G025.....	P1M-6MRT	P1M050CDMC6N060.....	P1M-6MRT	P1M050CDNP5M025.....	P1M-6MRT
P1M050C/DMC6G025.....	P1M-6MRT	P1M050CDMC9J050.....	P1M-6MRT	P1M050CDNP5N025.....	P1M-6MRT
P1M050C/FMC6J050.....	P1M-6MRT	P1M050CDMC9L025.....	P1M-6MRT	P1M050CDNP6G015.....	P1M-6MRT
P1M050C/LMC6J020.....	P1M-6MRT	P1M050CDMC9L050.....	P1M-6MRT	P1M050CDNP6G025.....	P1M-6MRT
P1M050C/LMC6J050.....	P1M-6MRT	P1M050CDMC9L075.....	P1M-6MRT	P1M050CDNP6J040.....	P1M-6MRT
P1M050CDBC6N125.....	P1M-6MRT	P1M050CDMC9N040.....	P1M-6MRT	P1M050CDNP6L005.....	P1M-6MRT
P1M050CDBP4N013.....	P1M-6MRT	P1M050CDMC9N050.....	P1M-6MRT	P1M050CDNP6L075.....	P1M-6MRT
P1M050CDBP5G050.....	P1M-6MRT	P1M050CDMP4G020.....	P1M-6MRT	P1M050CDNP6M030.....	P1M-6MRT
P1M050CDBP6H025.....	P1M-6MRT	P1M050CDMP4L050.....	P1M-6MRT	P1M050CDNP6N050.....	P1M-6MRT
P1M050CDBP6L038.....	P1M-6MRT	P1M050CDMP4N025.....	P1M-6MRT	P1M050CDNP6N055.....	P1M-6MRT
P1M050CDBP6N050.....	P1M-6MRT	P1M050CDMP5G050.....	P1M-6MRT	P1M050CDNP6P050.....	P1M-6MRT
P1M050CDCP4M050.....	P1M-6MRT	P1M050CDMP5M020.....	P1M-6MRT	P1M050CDNP9L010.....	P1M-6MRT
P1M050CDCP4M080.....	P1M-6MRT	P1M050CDMP5N010.....	P1M-6MRT	P1M050CDNP9L012.....	P1M-6MRT
P1M050CDCP4N025.....	P1M-6MRT	P1M050CDMP5N030.....	P1M-6MRT	P1M050CDNP9L013.....	P1M-6MRT
P1M050CDCP5G020.....	P1M-6MRT	P1M050CDMP6G015.....	P1M-6MRT	P1M050CDNP9M075.....	P1M-6MRT
P1M050CDCP5N020.....	P1M-6MRT	P1M050CDMP6G030.....	P1M-6MRT	P1M050CDNP9N020.....	P1M-6MRT
P1M050CDCP5N035.....	P1M-6MRT	P1M050CDMP6H025.....	P1M-6MRT	P1M050CDNP9N025.....	P1M-6MRT
P1M050CDCP6G004.....	P1M-6MRT	P1M050CDMP6H100.....	P1M-6MRT	P1M050CDNP9N040.....	P1M-6MRT
P1M050CDCP6G015.....	P1M-6MRT	P1M050CDMP6J015.....	P1M-6MRT	P1M050CDNP9N050.....	P1M-6MRT
P1M050CDCP6G020.....	P1M-6MRT	P1M050CDMP6J020.....	P1M-6MRT	P1M050CDNY4L055.....	P1M-6MRT
P1M050CDCP6G025.....	P1M-6MRT	P1M050CDMP6J025.....	P1M-6MRT	P1M050CDNY6H015.....	P1M-6MRT
P1M050CDCP6G080.....	P1M-6MRT	P1M050CDMP6J050.....	P1M-6MRT	P1M050CDNY6N060.....	P1M-6MRT
P1M050CDCP6H020.....	P1M-6MRT	P1M050CDMP6N020.....	P1M-6MRT	P1M050CEBY9G020.....	P1M-6MRT
P1M050CDCP6H025.....	P1M-6MRT	P1M050CDMP9L025.....	P1M-6MRT	P1M050CEBY9H020.....	P1M-6MRT
P1M050CDCP6H030.....	P1M-6MRT	P1M050CDMP9L050.....	P1M-6MRT	P1M050CECY4G025.....	P1M-6MRT
P1M050CDCP6L030.....	P1M-6MRT	P1M050CDMP9L050.....	P1M-6MRT	P1M050CECY9G025.....	P1M-6MRT
P1M050CDCP6N050.....	P1M-6MRT	P1M050CDMY5N050.....	P1M-6MRT	P1M050CECY9L020.....	P1M-6MRT
P1M050CDCP9G014.....	P1M-6MRT	P1M050CDMY5N080.....	P1M-6MRT	P1M050CENP9N025.....	P1M-6MRT
P1M050CDCP9G020.....	P1M-6MRT	P1M050CDMY6K010.....	P1M-6MRT	P1M050CFDBA6L020.....	P1M-6MRT
P1M050CDCP9L012.....	P1M-6MRT	P1M050CDMY6N020.....	P1M-6MRT	P1M050CFDBA6N090.....	P1M-6MRT
P1M050CDCP9L015.....	P1M-6MRT	P1M050CDNA9N025.....	P1M-6MRT	P1M050CFDBA6P025.....	P1M-6MRT
P1M050CDCP9L035.....	P1M-6MRT	P1M050CDNC3G186.....	P1M-6MRT	P1M050CFDBC6G025.....	P1M-6MRT
P1M050CDCP9L075.....	P1M-6MRT	P1M050CDNC4N150.....	P1M-6MRT	P1M050CFDMA6H040.....	P1M-6MRT
P1M050CDCP9N025.....	P1M-6MRT	P1M050CDNC5G320.....	P1M-6MRT	P1M050CFDMA6L050.....	P1M-6MRT
P1M050CDCP9N035.....	P1M-6MRT	P1M050CDNC5M013.....	P1M-6MRT	P1M050CFDMA6N080.....	P1M-6MRT
P1M050CDCP9N038.....	P1M-6MRT	P1M050CDNC6G025.....	P1M-6MRT	P1M050CFDMA6N080.....	P1M-6MRT
P1M050CDCP9N040.....	P1M-6MRT	P1M050CDNC6G050.....	P1M-6MRT	P1M050CFDMC6G050.....	P1M-6MRT
P1M050CDCP9N045.....	P1M-6MRT	P1M050CDNC6L015.....	P1M-6MRT	P1M050CFDMC6L075.....	P1M-6MRT
P1M050CDCP9N050.....	P1M-6MRT	P1M050CDNC6L025.....	P1M-6MRT	P1M050CFDMC6M064.....	P1M-6MRT
P1M050CDCP9N075.....	P1M-6MRT	P1M050CDNC6L100.....	P1M-6MRT	P1M050CFDMC6N025.....	P1M-6MRT
P1M050CDGC3G030.....	P1M-6MRT	P1M050CDNC6N025.....	P1M-6MRT	P1M050CFDMC6N038.....	P1M-6MRT
P1M050CDGP3H008.....	P1M-6MRT	P1M050CDNC6N150.....	P1M-6MRT	P1M050CFDMC6N050.....	P1M-6MRT
P1M050CDGP9H025.....	P1M-6MRT	P1M050CDNC6N160.....	P1M-6MRT	P1M050CFDMC6P100.....	P1M-6MRT
P1M050CDGP9L035.....	P1M-6MRT	P1M050CDNC6P015.....	P1M-6MRT	P1M050CFKMC6N025.....	P1M-6MRT
P1M050CDGY4H025.....	P1M-6MRT	P1M050CDNC9G100.....	P1M-6MRT	P1M050CHFBC6M050.....	L078660050
P1M050CDGY6J025.....	P1M-6MRT	P1M050CDNC9L015.....	P1M-6MRT	P1M050CHFMC6J050.....	L078660050
P1M050CDGY6J040.....	P1M-6MRT	P1M050CDNC9L020.....	P1M-6MRT	P1M050CHFMC6L020.....	L078660050
P1M050CDMA5G025.....	P1M-6MRT	P1M050CDNC9L040.....	P1M-6MRT	P1M050CHFMC6M020.....	L078660050
P1M050CDMA5G135.....	P1M-6MRT	P1M050CDNC9L050.....	P1M-6MRT	P1M050CHFMC6M050.....	L078660050
P1M050CDMA5L060.....	P1M-6MRT	P1M050CDNC9L060.....	P1M-6MRT	P1M050CHFMC6N020.....	L078660050
P1M050CDMA5N190.....	P1M-6MRT	P1M050CDNC9M015.....	P1M-6MRT	P1M050CHFMC6N050.....	L078660050
P1M050CDMA6G020.....	P1M-6MRT	P1M050CDNC9M020.....	P1M-6MRT	P1M050CHLBC6H020.....	L078660050
P1M050CDMA6G030.....	P1M-6MRT	P1M050CDNC9M040.....	P1M-6MRT	P1M050CHLBC6H050.....	L078660050
P1M050CDMA6G030.....	P1M-6MRT	P1M050CDNC9M050.....	P1M-6MRT	P1M050CHLBC6M050.....	L078660050
P1M050CDMA6G060.....	P1M-6MRT	P1M050CDNC9M075.....	P1M-6MRT	P1M050CHLMC6J050.....	L078660050
P1M050CDMA6G080.....	P1M-6MRT	P1M050CDNC9M100.....	P1M-6MRT	P1M050CHLMC6L020.....	L078660050
P1M050CDMA6J025.....	P1M-6MRT	P1M050CDNC9N015.....	P1M-6MRT	P1M050CHLMC6M050.....	L078660050
P1M050CDMA6J050.....	P1M-6MRT	P1M050CDNC9N050.....	P1M-6MRT	P1M050CHLMC6N020.....	L078660050
P1M050CDMA6J090.....	P1M-6MRT	P1M050CDNC9N150.....	P1M-6MRT	P1M050CHLMC6N050.....	L078660050
		P1M050CDNP4L010.....	P1M-6MRT	P1M050CKCP6N025.....	P1M-6MRT

Part Number	Seal Kit Number
P1M050CKCP9L021.....	P1M-6MRT
P1M050CKMC6J025.....	P1M-6MRT
P1M050CKMC6J050.....	P1M-6MRT
P1M050CKMC9L025.....	P1M-6MRT
P1M050CKMC9L050.....	P1M-6MRT
P1M050CKNC66G015.....	P1M-6MRT
P1M050CKNC9N063.....	P1M-6MRT
P1M050CKNP66G020.....	P1M-6MRT
P1M050CKNP6G030.....	P1M-6MRT
P1M050CRCP3N020.....	P1M-6MRT
P1M050CRCP4N025.....	P1M-6MRT
P1M050CRCP5N025.....	P1M-6MRT
P1M050CRCP6G010.....	P1M-6MRT
P1M050CRCP9L010.....	P1M-6MRT
P1M050CRCY6G010.....	P1M-6MRT
P1M050CRMP6M010.....	P1M-6MRT
P1M050CRMP6N010.....	P1M-6MRT
P1M050CRNP9L010.....	P1M-6MRT
P1M050CRNP9L025.....	P1M-6MRT
P1M050F/DBA6P025.....	P1M-6MRT
P1M050F/KNA6G025.....	P1M-6MRT
P1M050FBDMA6L050.....	P1M-6MRT
P1M050FBDMA6N100.....	P1M-6MRT
P1M050FDBP4M076.....	P1M-6MRT
P1M050FDCC4N076.....	P1M-6MRT
P1M050FDCP5G050.....	P1M-6MRT
P1M050FDCP5G100.....	P1M-6MRT
P1M050FDCP5L060.....	P1M-6MRT
P1M050FDCP9G020.....	P1M-6MRT
P1M050FDCP9M064.....	P1M-6MRT
P1M050FDCP9N050.....	P1M-6MRT
P1M050FDCP9N075.....	P1M-6MRT
P1M050FDGP4M040.....	P1M-6MRT
P1M050FDGY6L025.....	P1M-6MRT
P1M050FDMA6N100.....	P1M-6MRT
P1M050FDMC4N035.....	P1M-6MRT
P1M050FDMC5N150.....	P1M-6MRT
P1M050FDMC5N200.....	P1M-6MRT
P1M050FDMP4H025.....	P1M-6MRT
P1M050FDMP4N035.....	P1M-6MRT
P1M050FDMP5G075.....	P1M-6MRT
P1M050FDMP5N100.....	P1M-6MRT
P1M050FDMP6G050.....	P1M-6MRT
P1M050FDMP6N030.....	P1M-6MRT
P1M050FDMP9L075.....	P1M-6MRT
P1M050FDNC5N215.....	P1M-6MRT
P1M050FDNP6M080.....	P1M-6MRT
P1M050FDNP9L075.....	P1M-6MRT
P1M050FDNP9N038.....	P1M-6MRT
P1M050FEBP4J020.....	P1M-6MRT
P1M050FEBY4J020.....	P1M-6MRT
P1M050FEBY9M025.....	P1M-6MRT
P1M050FECF4H020.....	P1M-6MRT
P1M050FECF4H025.....	P1M-6MRT
P1M050FECY4H020.....	P1M-6MRT
P1M050FECY4N025.....	P1M-6MRT
P1M050FECY5N025.....	P1M-6MRT
P1M050FFDBA6M020.....	P1M-6MRT
P1M050FFDFA6L100.....	P1M-6MRT
P1M050FFDMA6N030.....	P1M-6MRT
P1M050FFDMA6N040.....	P1M-6MRT
P1M050FFDMA6N100.....	P1M-6MRT

Part Number	Seal Kit Number
P1M050FFDMC6N025.....	P1M-6MRT
P1M050HBDMA6G050.....	P1M-6MRT
P1M050HDBP5M070.....	P1M-6MRT
P1M050HDPC6L090.....	P1M-6MRT
P1M050HDPC6N025.....	P1M-6MRT
P1M050HDPC9G020.....	P1M-6MRT
P1M050HDPC9N025.....	P1M-6MRT
P1M050HDCY4M014.....	P1M-6MRT
P1M050HDMA4M015.....	P1M-6MRT
P1M050HDMA6G080.....	P1M-6MRT
P1M050HDMC5G050.....	P1M-6MRT
P1M050HDMPP9N075.....	P1M-6MRT
P1M050HDNP4L100.....	P1M-6MRT
P1M050HDNP6G025.....	P1M-6MRT
P1M050HDNP6G065.....	P1M-6MRT
P1M050HDNP9M006.....	P1M-6MRT
P1M050HDNP9M016.....	P1M-6MRT
P1M050HDNP9M045.....	P1M-6MRT
P1M050HFDBA6L060.....	P1M-6MRT
P1M050HFDBA6M020.....	P1M-6MRT
P1M050HFDBA6M025.....	P1M-6MRT
P1M050HFDBA6M060.....	P1M-6MRT
P1M050HFDBA6M080.....	P1M-6MRT
P1M050HFDBA6N050.....	P1M-6MRT
P1M050HFDBC6L010.....	P1M-6MRT
P1M050HFDBC6N015.....	P1M-6MRT
P1M050HFDMA6M025.....	P1M-6MRT
P1M050HFDMA6N020.....	P1M-6MRT
P1M050HFDMA6N025.....	P1M-6MRT
P1M050HFDMA6N078.....	P1M-6MRT
P1M050HFDMC6L037.....	P1M-6MRT
P1M050HFDMC6N100.....	P1M-6MRT
P1M050HFKBA6N065.....	P1M-6MRT
P1M050HFKBC6G080.....	P1M-6MRT
P1M050HHFMC6N020.....	L078660050
P1M050HHLBC6M050.....	L078660050
P1M050HKCP5N030.....	P1M-6MRT
P1M050HRMP9N025.....	P1M-6MRT
P1M050HRNP9N025.....	P1M-6MRT
P1M050JDBP5L075.....	P1M-6MRT
P1M050JDBP9M025.....	P1M-6MRT
P1M050JDCP4G020.....	P1M-6MRT
P1M050JDCP4H040.....	P1M-6MRT
P1M050JDCP4N040.....	P1M-6MRT
P1M050JDCP6N035.....	P1M-6MRT
P1M050JDMA9P100.....	P1M-6MRT
P1M050JDMC4P200.....	P1M-6MRT
P1M050JDMC6J200.....	P1M-6MRT
P1M050JDMC6L120.....	P1M-6MRT
P1M050JDMC6N030.....	P1M-6MRT
P1M050JDMC9L125.....	P1M-6MRT
P1M050JDMP3J050.....	P1M-6MRT
P1M050JDMP6G019.....	P1M-6MRT
P1M050JDMP6J020.....	P1M-6MRT
P1M050JDMP6J100.....	P1M-6MRT
P1M050JDMP6N060.....	P1M-6MRT
P1M050JDNC4J180.....	P1M-6MRT
P1M050JDNC4L040.....	P1M-6MRT
P1M050JDNC5H140.....	P1M-6MRT
P1M050JDNC5N150.....	P1M-6MRT
P1M050JDNC5N200.....	P1M-6MRT
P1M050JDNC5P200.....	P1M-6MRT

Part Number	Seal Kit Number
P1M050JDNC6L015.....	P1M-6MRT
P1M050JDNP4N100.....	P1M-6MRT
P1M050JDNP4P050.....	P1M-6MRT
P1M050JDNP6G065.....	P1M-6MRT
P1M050JDNP6K050.....	P1M-6MRT
P1M050JDNP6K100.....	P1M-6MRT
P1M050JDNP6N035.....	P1M-6MRT
P1M050JECF4N025.....	P1M-6MRT
P1M050JECY4G025.....	P1M-6MRT
P1M050JRCF9N025.....	P1M-6MRT
P1M050JRNCP4G025.....	P1M-6MRT
P1M050JRNCP4M010.....	P1M-6MRT
P1M050KHFC6N020.....	L078660050
P1M050KHFC6H050.....	L078660050
P1M050KHFC6M020.....	L078660050
P1M050KHFC6M050.....	L078660050
P1M050KHFC6N050.....	L078660050
P1M050KHLBC6N020.....	L078660050
P1M050KHLBC6P050.....	L078660050
P1M050LHFBC6L020.....	L078660050
P1M050LHFBC6M050.....	L078660050
P1M050LHFBC6H020.....	L078660050
P1M050LHFBC6J020.....	L078660050
P1M050LHLBC6L020.....	L078660050
P1M050LHLBC6M050.....	L078660050
P1M050LHLBC6H020.....	L078660050
P1M050LHLBC6J020.....	L078660050
P1M050LHLBC6M020.....	L078660050

P1M063A/DCP4N048.....	P1M-6NRT
P1M063ADCP4G032.....	P1M-6NRT
P1M063ADCP4N025.....	P1M-6NRT
P1M063ADCP4N048.....	P1M-6NRT
P1M063ADCP4N095.....	P1M-6NRT
P1M063ADGP5M075.....	P1M-6NRT
P1M063ADMC5N050.....	P1M-6NRT
P1M063ADNC4M075.....	P1M-6NRT
P1M063ADNC5M100.....	P1M-6NRT
P1M063ADNC5N100.....	P1M-6NRT
P1M063ADNC6N075.....	P1M-6NRT
P1M063ADNC6N125.....	P1M-6NRT
P1M063ADNC6N175.....	P1M-6NRT
P1M063ADNP4L075.....	P1M-6NRT
P1M063ADNP4N040.....	P1M-6NRT
P1M063ADNP5G100.....	P1M-6NRT
P1M063BDCP5N035.....	P1M-6NRT
P1M063BDCY5H030.....	P1M-6NRT
P1M063C/KGP3M012.....	P1M-6NRT
P1M063CDBP6H020.....	P1M-6NRT
P1M063CDBP6L030.....	P1M-6NRT
P1M063CDBP6N025.....	P1M-6NRT
P1M063CDBP6N040.....	P1M-6NRT
P1M063CDBP6N050.....	P1M-6NRT
P1M063CDCP3N083.....	P1M-6NRT
P1M063CDCP4J045.....	P1M-6NRT
P1M063CDCP4N020.....	P1M-6NRT
P1M063CDCP4N050.....	P1M-6NRT
P1M063CDCP4N063.....	P1M-6NRT
P1M063CDCP4N076.....	P1M-6NRT
P1M063CDCP4P055.....	P1M-6NRT
P1M063CDCP5N020.....	P1M-6NRT
P1M063CDCP5N040.....	P1M-6NRT

Part Number	Seal Kit Number
P1M063CDCP6G010	P1M-6NRT
P1M063CDCP6G015	P1M-6NRT
P1M063CDCP6G030	P1M-6NRT
P1M063CDCP6G080	P1M-6NRT
P1M063CDCP6N025	P1M-6NRT
P1M063CDCP6N030	P1M-6NRT
P1M063CDCP6N075	P1M-6NRT
P1M063CDCP9M025	P1M-6NRT
P1M063CDCP9N025	P1M-6NRT
P1M063CDCP9P013	P1M-6NRT
P1M063CDCP9P016	P1M-6NRT
P1M063CDCP9P022	P1M-6NRT
P1M063CDCP9P041	P1M-6NRT
P1M063CDCY9N025	P1M-6NRT
P1M063CDCY9N050	P1M-6NRT
P1M063CDGP6K020	P1M-6NRT
P1M063CDGY6L020	P1M-6NRT
P1M063CDMA5G360	P1M-6NRT
P1M063CDMA5L025	P1M-6NRT
P1M063CDMA6H018	P1M-6NRT
P1M063CDMA6N060	P1M-6NRT
P1M063CDMC5M075	P1M-6NRT
P1M063CDMC5N100	P1M-6NRT
P1M063CDMC6J025	P1M-6NRT
P1M063CDMC6J050	P1M-6NRT
P1M063CDMC6J075	P1M-6NRT
P1M063CDMC6J100	P1M-6NRT
P1M063CDMC6J125	P1M-6NRT
P1M063CDMC6J200	P1M-6NRT
P1M063CDMC6N050	P1M-6NRT
P1M063CDMC6N065	P1M-6NRT
P1M063CDMC6N080	P1M-6NRT
P1M063CDMC9L025	P1M-6NRT
P1M063CDMC9L050	P1M-6NRT
P1M063CDMC9L100	P1M-6NRT
P1M063CDMC9L125	P1M-6NRT
P1M063CDMC9L150	P1M-6NRT
P1M063CDMC9L200	P1M-6NRT
P1M063CDMC9M025	P1M-6NRT
P1M063CDMP5G020	P1M-6NRT
P1M063CDMP5G050	P1M-6NRT
P1M063CDMP5G076	P1M-6NRT
P1M063CDMP5G100	P1M-6NRT
P1M063CDMP6G025	P1M-6NRT
P1M063CDMP6H050	P1M-6NRT
P1M063CDMP6H100	P1M-6NRT
P1M063CDMP6N025	P1M-6NRT
P1M063CDMP9N010	P1M-6NRT
P1M063CDNC3M043	P1M-6NRT
P1M063CDNC3P025	P1M-6NRT
P1M063CDNC4M075	P1M-6NRT
P1M063CDNC5G175	P1M-6NRT
P1M063CDNC5G300	P1M-6NRT
P1M063CDNC9L015	P1M-6NRT
P1M063CDNC9L018	P1M-6NRT
P1M063CDNC9L025	P1M-6NRT
P1M063CDNC9L035	P1M-6NRT
P1M063CDNC9M015	P1M-6NRT
P1M063CDNC9M040	P1M-6NRT
P1M063CDNC9M130	P1M-6NRT
P1M063CDNC9N020	P1M-6NRT

Part Number	Seal Kit Number
P1M063CDNC9N025	P1M-6NRT
P1M063CDNC9N075	P1M-6NRT
P1M063CDNC9N100	P1M-6NRT
P1M063CDNC9P075	P1M-6NRT
P1M063CDNP3G050	P1M-6NRT
P1M063CDNP4N076	P1M-6NRT
P1M063CDNP4P007	P1M-6NRT
P1M063CDNP6G015	P1M-6NRT
P1M063CDNP6G050	P1M-6NRT
P1M063CDNP6G075	P1M-6NRT
P1M063CDNP6H010	P1M-6NRT
P1M063CDNP9L015	P1M-6NRT
P1M063CDNP9L050	P1M-6NRT
P1M063CDNP9N076	P1M-6NRT
P1M063CDNP9N100	P1M-6NRT
P1M063CDNY6G020	P1M-6NRT
P1M063CKCC4N100	P1M-6NRT
P1M063CKCP3N030	P1M-6NRT
P1M063CKCP9L015	P1M-6NRT
P1M063CKMC66J100	P1M-6NRT
P1M063CKMC6J025	P1M-6NRT
P1M063CKMC6J050	P1M-6NRT
P1M063CKMC99L025	P1M-6NRT
P1M063CKMC99L050	P1M-6NRT
P1M063CKMC9L025	P1M-6NRT
P1M063CKMC9L050	P1M-6NRT
P1M063CKMC9L075	P1M-6NRT
P1M063CKNC44N100	P1M-6NRT
P1M063CKNC4N082	P1M-6NRT
P1M063CKNC4N100	P1M-6NRT
P1M063CKNC6N050	P1M-6NRT
P1M063CKNC9N020	P1M-6NRT
P1M063CRNY3G025	P1M-6NRT
P1M063F/DBP9N050	P1M-6NRT
P1M063F/DBP9N100	P1M-6NRT
P1M063FDBY4G075	P1M-6NRT
P1M063FDPC5G025	P1M-6NRT
P1M063FDPC6G050	P1M-6NRT
P1M063FDPC9G050	P1M-6NRT
P1M063FDMC6N150	P1M-6NRT
P1M063FDMP6G040	P1M-6NRT
P1M063FDMP6G100	P1M-6NRT
P1M063FDMP6H040	P1M-6NRT
P1M063FDMP6N040	P1M-6NRT
P1M063FDMP6N050	P1M-6NRT
P1M063FDNP4N020	P1M-6NRT
P1M063FDNP6N025	P1M-6NRT
P1M063FDNP6N065	P1M-6NRT
P1M063FDNP9L080	P1M-6NRT
P1M063FKBP3G030	P1M-6NRT
P1M063FKCP6N038	P1M-6NRT
P1M063HDBP5N080	P1M-6NRT
P1M063HDCA4M150	P1M-6NRT
P1M063HDPC6G050	P1M-6NRT
P1M063HDNC4L360	P1M-6NRT
P1M063HDNP4L060	P1M-6NRT
P1M063JDBP4N050	P1M-6NRT
P1M063JDCP9N035	P1M-6NRT
P1M063JDCY4P025	P1M-6NRT
P1M063JDCY9P025	P1M-6NRT
P1M063JDCY9P050	P1M-6NRT
P1M063JDMA5G060	P1M-6NRT

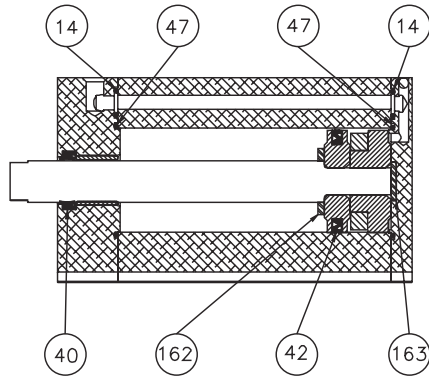
Part Number	Seal Kit Number
P1M063JDM4G060	P1M-6NRT
P1M063JDM9M075	P1M-6NRT
P1M063JDMY5G015	P1M-6NRT
P1M063JDN6K050	P1M-6NRT
P1M063JDNP6M050	P1M-6NRT
P1M063JDNP9N030	P1M-6NRT
P1M063JKNP4L090	P1M-6NRT
-----	-----
P1M080A/DCP4M125	P1M-6PRT
P1M080ADBP5J042	P1M-6PRT
P1M080ADCP4M075	P1M-6PRT
P1M080ADCP4N050	P1M-6PRT
P1M080ADCP6G025	P1M-6PRT
P1M080ADCP6G075	P1M-6PRT
P1M080ADMC5N200	P1M-6PRT
P1M080ADMP5N050	P1M-6PRT
P1M080ADNC4L150	P1M-6PRT
P1M080ADNC4L270	P1M-6PRT
P1M080ADNC5L040	P1M-6PRT
P1M080ADNC5N200	P1M-6PRT
P1M080ADNC6N050	P1M-6PRT
P1M080ADNC9L190	P1M-6PRT
P1M080ADNP5G220	P1M-6PRT
P1M080B/DNP6G015	P1M-6PRT
P1M080BDNC4L075	P1M-6PRT
P1M080BDNP4M150	P1M-6PRT
P1M080C/DBP6G013	P1M-6PRT
P1M080C/DCP6G013	P1M-6PRT
P1M080C/DMC3G125	P1M-6PRT
P1M080C/DMC3L300	P1M-6PRT
P1M080C/KMP3N020	P1M-6PRT
P1M080CDBP5H100	P1M-6PRT
P1M080CDBP6G013	P1M-6PRT
P1M080CDBP6N040	P1M-6PRT
P1M080CDDC6N100	P1M-6PRT
P1M080CDDC6N150	P1M-6PRT
P1M080CDDCP4G010	P1M-6PRT
P1M080CDDCP4H030	P1M-6PRT
P1M080CDDCP5G010	P1M-6PRT
P1M080CDDCP5G075	P1M-6PRT
P1M080CDDCP6G040	P1M-6PRT
P1M080CDDCP6G080	P1M-6PRT
P1M080CDDCP6N020	P1M-6PRT
P1M080CDDCP6N030	P1M-6PRT
P1M080CDDCP9G020	P1M-6PRT
P1M080CDDCP9G040	P1M-6PRT
P1M080CDDCP9K005	P1M-6PRT
P1M080CDDCP9M025	P1M-6PRT
P1M080CDDCP9M050	P1M-6PRT
P1M080CDDCP9N010	P1M-6PRT
P1M080CDDCP9N015	P1M-6PRT
P1M080CDDCP9N025	P1M-6PRT
P1M080CDDCP9N040	P1M-6PRT
P1M080CDDCP9P029	P1M-6PRT
P1M080CDCY6P020	P1M-6PRT
P1M080CDGP4N085	P1M-6PRT
P1M080CDGP6G020	P1M-6PRT
P1M080CDGP6G095	P1M-6PRT
P1M080CDGP9G020	P1M-6PRT
P1M080CDGP9G095	P1M-6PRT
P1M080CDGP9P051	P1M-6PRT
P1M080CDMA5G080	P1M-6PRT

Part Number	Seal Kit Number
P1M080CDMA9H125	P1M-6PRT
P1M080CDMC4L458	P1M-6PRT
P1M080CDMC4N300	P1M-6PRT
P1M080CDMC5G150	P1M-6PRT
P1M080CDMC5N150	P1M-6PRT
P1M080CDMC6J025	P1M-6PRT
P1M080CDMC6N040	P1M-6PRT
P1M080CDMC9M035	P1M-6PRT
P1M080CDMC9N229	P1M-6PRT
P1M080CDMC9N305	P1M-6PRT
P1M080CDMP5N150	P1M-6PRT
P1M080CDMP6G008	P1M-6PRT
P1M080CDMP6G050	P1M-6PRT
P1M080CDMP6M070	P1M-6PRT
P1M080CDMP9G010	P1M-6PRT
P1M080CDMP9P016	P1M-6PRT
P1M080CDNC3P025	P1M-6PRT
P1M080CDNC4L075	P1M-6PRT
P1M080CDNC6G150	P1M-6PRT
P1M080CDNC6H015	P1M-6PRT
P1M080CDNC6N025	P1M-6PRT
P1M080CDNC6N150	P1M-6PRT
P1M080CDNC9L050	P1M-6PRT
P1M080CDNC9L075	P1M-6PRT
P1M080CDNC9L125	P1M-6PRT
P1M080CDNC9M050	P1M-6PRT
P1M080CDNC9N100	P1M-6PRT
P1M080CDNC9P030	P1M-6PRT
P1M080CDNP6G090	P1M-6PRT
P1M080CDNP6H038	P1M-6PRT
P1M080CDNP9G016	P1M-6PRT
P1M080CDNP9L013	P1M-6PRT
P1M080CDNP9N080	P1M-6PRT
P1M080CKBP5G042	P1M-6PRT
P1M080CKBP6G040	P1M-6PRT
P1M080CKCP3L010	P1M-6PRT
P1M080CKCP5N050	P1M-6PRT
P1M080CKCP5N050	P1M-6PRT
P1M080CKCP66N040	P1M-6PRT
P1M080CKCP6N040	P1M-6PRT
P1M080CKCP9N050	P1M-6PRT
P1M080CRMP6G010	P1M-6PRT
P1M080FDCP9G020	P1M-6PRT
P1M080FDMC4N100	P1M-6PRT
P1M080FDMP4L090	P1M-6PRT
P1M080FDMP6L090	P1M-6PRT
P1M080FDMP9N125	P1M-6PRT
P1M080H/DCP4M150	P1M-6PRT
P1M080H/DCP9M060	P1M-6PRT
P1M080HDCP4M060	P1M-6PRT
P1M080HDCP4M075	P1M-6PRT
P1M080HDCP4M100	P1M-6PRT
P1M080HDCP5H075	P1M-6PRT
P1M080HDCP5J075	P1M-6PRT
P1M080HDCP6G065	P1M-6PRT
P1M080HDCP9M060	P1M-6PRT
P1M080HDCP9N150	P1M-6PRT
P1M080HDGP4N050	P1M-6PRT
P1M080HDMC9N038	P1M-6PRT
P1M080HDMY6G030	P1M-6PRT
P1M080JDBP4N032	P1M-6PRT
P1M080JDCP4M130	P1M-6PRT

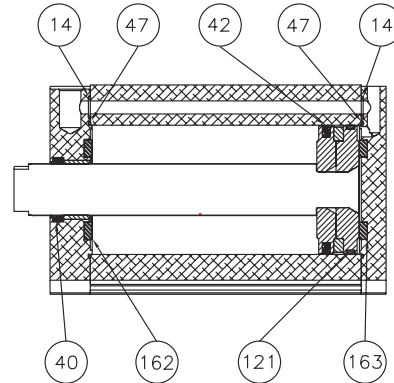
Part Number	Seal Kit Number
P1M080JDGY6H060.....	P1M-6PRT
P1M080JDMC4M135	P1M-6PRT
P1M080JDMP9L038.....	P1M-6PRT
P1M080JDNC4M130	P1M-6PRT
P1M080JDNC6H130	P1M-6PRT
P1M080JDNP4M130	P1M-6PRT

P1M100ADBP4N080	P1M-6QRT
P1M100ADMP6N050.....	P1M-6QRT
P1M100ADMP9N040.....	P1M-6QRT
P1M100BDNC4N070.....	P1M-6QRT
P1M100C/DCP3N075.....	P1M-6QRT
P1M100C/DNP3N075.....	P1M-6QRT
P1M100CDCP4N050	P1M-6QRT
P1M100CDCP6G040.....	P1M-6QRT
P1M100CDCP6H017	P1M-6QRT
P1M100CDCP6J040.....	P1M-6QRT
P1M100CDCP9N020	P1M-6QRT
P1M100CDCP9N025	P1M-6QRT
P1M100CDCP9N030	P1M-6QRT
P1M100CDCP9N050	P1M-6QRT
P1M100CDCP9N060	P1M-6QRT
P1M100CDCY3J100.....	P1M-6QRT
P1M100CDCY3J140.....	P1M-6QRT
P1M100CDGY9N030	P1M-6QRT
P1M100CDMA6G040	P1M-6QRT
P1M100CDMA6J025	P1M-6QRT
P1M100CDMA9M025	P1M-6QRT
P1M100CDMC5N280	P1M-6QRT
P1M100CDMC6J025	P1M-6QRT
P1M100CDMC6J050	P1M-6QRT
P1M100CDMC6J065	P1M-6QRT
P1M100CDMC6J200	P1M-6QRT
P1M100CDMC6N200	P1M-6QRT
P1M100CDMC9L025	P1M-6QRT
P1M100CDMC9L050	P1M-6QRT
P1M100CDMC9L100	P1M-6QRT
P1M100CDMP3J025	P1M-6QRT
P1M100CDMP5G015	P1M-6QRT
P1M100CDMP9L050	P1M-6QRT
P1M100CDNC4M010	P1M-6QRT
P1M100CDNP5G080	P1M-6QRT
P1M100CDNP6G020	P1M-6QRT
P1M100CDNP6H038	P1M-6QRT
P1M100CDNP6N090	P1M-6QRT
P1M100CDNP9N018	P1M-6QRT
P1M100CKCP9N010	P1M-6QRT
P1M100CKMC99L025	P1M-6QRT
P1M100CKMC9L025	P1M-6QRT
P1M100CKMP99L075	P1M-6QRT
P1M100CKMP9L075	P1M-6QRT
P1M100FDBY6M060	P1M-6QRT
P1M100FDMP6N075	P1M-6QRT
P1M100FDMP6N125	P1M-6QRT
P1M100H/DNC5J020	P1M-6QRT
P1M100H/DNC5J200	P1M-6QRT
P1M100HDCP9N150	P1M-6QRT
P1M100JDCP9H025.....	P1M-6QRT
P1M100JDMC5G250	P1M-6QRT
P1M100JDMC9L025.....	P1M-6QRT

Seal Kits for P1M Series Air Cylinders



12mm to 25mm Bores



32mm to 100mm Bores

Double Rod Seal Kit Contains:

Qty	Part	Symbol	Qty	Part	Symbol
2	Rod seal/wiper	#40	1	Wear band (Only on 32-100 Bores)	#121
1	Z-Piston Seal	#42	2	Head End Bumper	#162
2	End Seals	#47	1	Cap End Bumper	#163
2	Transfer port seals	#14			

Standard Seals – Class 1 Service are standard, and contain a Nitrile piston seal and a polyurethane rod seal for standard fluid service. These seals are suitable for use when air is the operating medium.

The recommended operating temperature range for Class 1 seals is: -4°F (-20°C) to +176°F (+80°C).

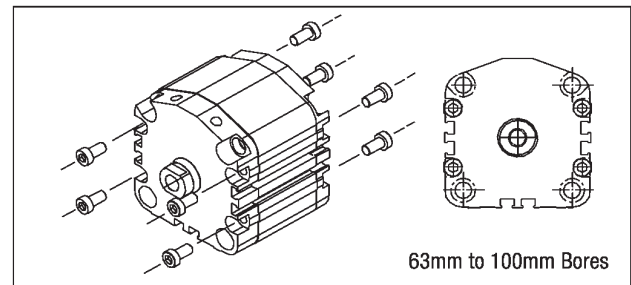
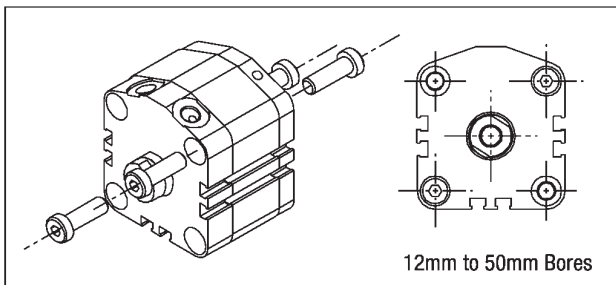
Double Rod Cylinders	
Bore Size	Class 1 Seals
12	P1M-6DRT
16	P1M-6FRT
20	P1M-6HRT
25	P1M-6JRT
32	P1M-6KRT
40	P1M-6LRT
50	P1M-6MRT
63	P1M-6NRT
80	P1M-6PRT
100	P1M-6QRT

Disassembly, Seal Replacement, Reassembly

1. Disassemble cylinder, remove old seals and wipe all grooves clean.
2. Inspect the cylinder. Replace the cylinder if excessive wear is noted on the rod guide or if the I.D. of the tube or the piston rod has scratches, dents or extreme surface damage.
3. (a) Install new seals after lubricating the rod seal, the piston seal, the I.D. of the rod guide and the O.D. of the piston with Lube-A-Cyl. Lube-A-Cyl is recommended for use in air cylinders during normal operation, and particularly when servicing and reassembling cylinders. It is a multi-purpose lubricant in grease form that provides lubrication without deteriorating effects on synthetic seals. It produces a thin film which will not blow out with

exhaust air. It provides piston, rod and seal lubrication, and has excellent resistance to water and mechanical breakdown with temperature range of -10°F. (-23°C.) to +350°F. (+177°C.). Lube-A-Cyl is packaged in 1.5 oz. tubes, a sufficient quantity for average size air cylinder. One application should last for a period of 6 to 18 months depending upon service. Order by part number 0761630000.

3. (b) Lubricate and install new end seals and transfer port O-rings in appropriate grooves.
4. After all seals are installed, assemble the cap and tube (with the end seals and the transfer port O-rings) to the tube using the fasteners. Refer to illustration for fastener position and quantity. Tighten the fasteners to the torque values listed below using the opposite corner to corner torquing sequence.



See above for disassembly and reassembly instructions; below for fastener torque values.

Fastener Torque	
N-m	Inch Lbs.
1.4-1.8	12-16
1.4-1.8	12-16
3.6-4.0	32-36
3.6-4.0	32-36
3.6-4.0	32-36
3.6-4.0	32-36
8.0-9.0	72-80
3.6-4.0	32-36
8.0-9.0	72-80
24.0-25.7	212-228



Parker Hannifin Corporation
Pneumatic Division
135 Quadral Drive
Wadsworth, OH 44281 USA
Tel: 330 336 3511
Fax: 330 334 3335

Applications Engineering
Phone: 877 321 4PDN Option #2
E-mail: pdnapps@parker.com
Customer Support
Phone: 877 321 4PDN Option #1
E-mail: pdncustsvc@parker.com
Web site: www.parker.com/pneumatics