

canfield connector
8510 Foxwood Court
Youngstown, Ohio 44514
(330) 758-8299 Fax: (330) 758-8912
www.canfieldconnector.com

SERIES 8D

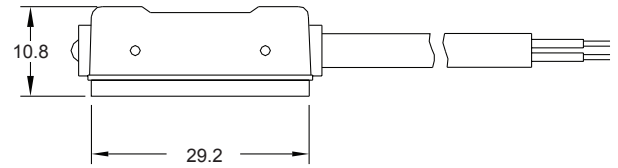
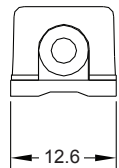
REED & ELECTRONIC SENSORS FOR ROUND, TIE-ROD, OR EXTRUDED CYLINDERS

General Description

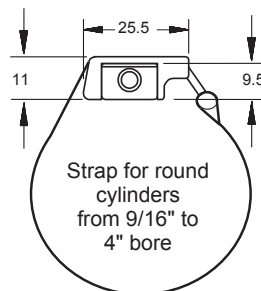
The Canfield Connector Series 8D is a robust yet compact switch designed to sense position of pneumatic cylinders with magnetic pistons. The switch features an all encapsulated design with a metal over housing that protects the internal components from harsh environments. The switch comes in reed, or electronic versions and has either 9 ft. PVC or 8mm quick connect male pigtail. A broad range of clamping styles make this a very versatile alternative for sensing round or tie rod type linear actuator. The switch comes standard with an indicator light that shows switching condition.

Dimensional Data

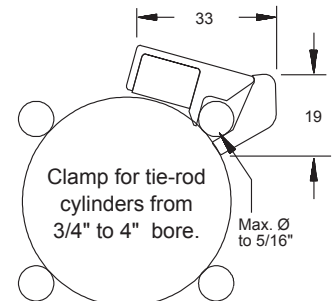
ALL DIMENSIONS ARE IN MILLIMETERS UNLESS OTHERWISE NOTED



Clamp Styles



**Standard
Round Cylinder
Universal Clamp
(Style 0)**



**Standard
Tie-Rod
Cylinder Clamp
(Style 2)**

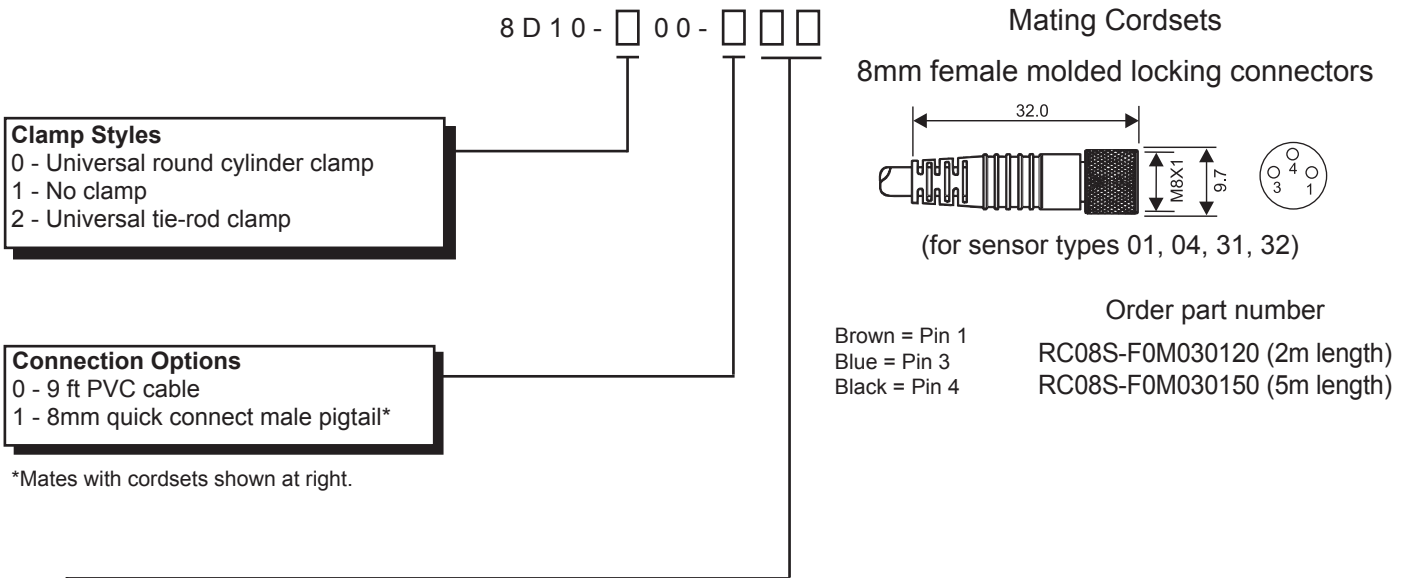
Features

- Quick connect versions available
- Extremely consistent repeatability
- Compact design
- Reverse polarity protection
- Both reed and electronic versions work with the same (reed) magnet
- Encapsulated circuit for wet environment (NEMA 6)
- Available for tie-rod, round or extruded cylinder mounting

Technical Data

- Temperature Range: Operational from -10° to +70°C
- Shock: Operational up to 30G (11 ms.) reeds, 50G electronic
- Vibration: Operational up to 9G parallel
- Sensitivity and orientation: 60G parallel (standard minimum required for proper operation, as measured on sensor surface. Size of sensing area depends on size and strength of magnet and thickness of cylinder wall)
- Most versions designed to meet NEMA 6/IP67 specifications

Ordering Information



Type	Description	Function	Switching Voltage	Switching Current	Switching Power	Voltage Drop	** Magnetic Sensitivity
01	Reed Switch	Normally Open	0 - 240V AC/DC	0.5 Amps Max.	10 watts Max.	0 Volts	60 Ga.
04	Reed Switch, LED & MOV	SPST Normally Open	5 - 240V AC/DC	100 mA	10 watts Max.	2.5 Volts	60 Ga.
31	Electronic for Reed Magnet, LED & Sourcing	Normally Open (PNP)	5 - 28 VDC	.2 Amps Max.	6 watts Max.	1.5 Volts	60 Ga.
32	Electronic for Reed Magnet, LED & Sinking	Normally Open (NPN)	5 - 28 VDC	.2 Amps Max.	6 watts Max.	1.5 Volts	60 Ga.

**Minimum gauss rating required for proper operation; as measured 4.5 above sensing surface.
Size of sensing area depends upon size and strength of magnet and thickness of cylinder wall.

Ordering Example:

8D10-000-004

Universal round cylinder clamp, 9 ft. cable, standard style reed switch with LED & MOV, SPST, normally open, 5 - 240V AC/DC