

Linear Drive Accessories

ø 10-80 mm

Mid-Section Support

B



For Linear-drive
 • Series OSP-P

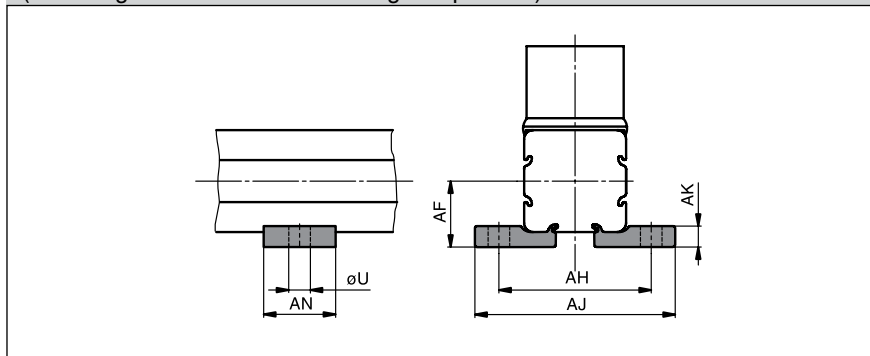
Note on Types E1 and D1
 (P16 – P80):

The mid-section support can also be mounted on the underside of the actuator, in which case its distance from the center of the actuator is different.

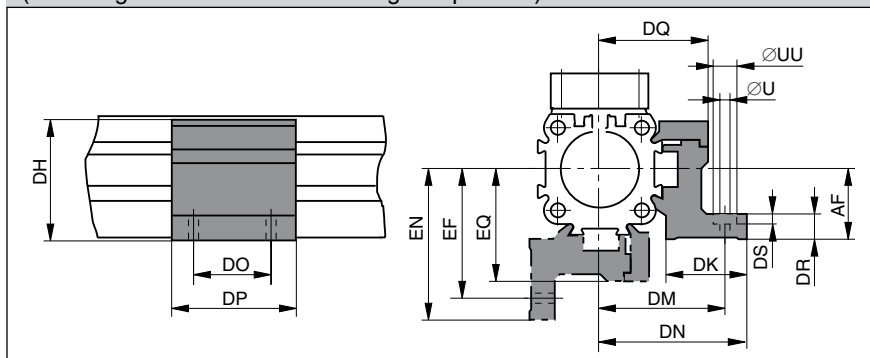
Stainless steel version on demand.



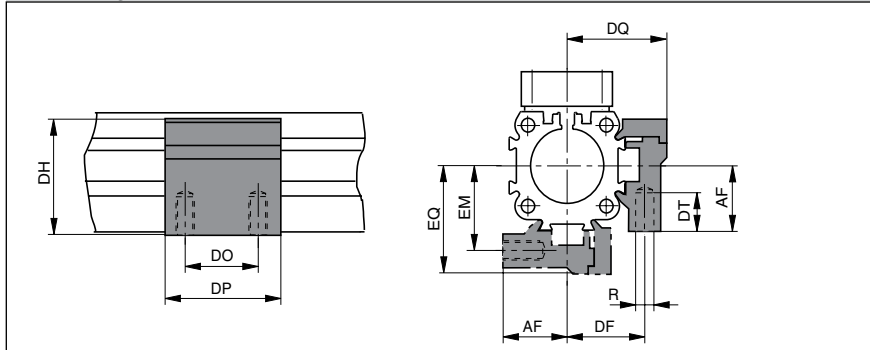
Series OSP-10, Type E1
 (Mounting from above / below using a cap screw)



Series OSP-P16 to P80: Type E1
 (Mounting from above / below using a cap screw)



Series OSP-16 to 80, Type D1
 (Mountings from below with 2 screws)



Dimension Table (mm) Series OSP-P10

Series	U	AF	AH	AJ	AK	AN	Order No.	
							Type E1	Type D1
OSP-P10	3.6	11	25.4	33.4	3.5	12	0250	-

Dimension Table (mm) – Series OSP-P16 to P80

Series	R	U	UU	AF	DF	DH	DK	DM	DN	DO	DP	DQ	DR	DS	DT	EF	EM	EN	EQ	Order No.	
																				Type E1	Type D1
OSP-P16	M3	3.4	6	15	20	29.2	24	32	36.4	18	30	27	6	3.4	6.5	32	20	36.4	27	20435	20434
OSP-P25	M5	5.5	10	22	27	38	26	40	47.5	36	50	34.5	8	5.7	10	41.5	28.5	49	36	20009	20008
OSP-P32	M5	5.5	10	30	33	46	27	46	54.5	36	50	40.5	10	5.7	10	48.5	35.5	57	43	20158	20157
OSP-P40	M6	7	-	38	35	61	34	53	60	45	60	45	10	-	11	56	38	63	48	20028	20027
OSP-P50	M6	7	-	48	40	71	34	59	67	45	60	52	10	-	11	64	45	72	57	20163	20162
OSP-P63	M8	9	-	57	47.5	91	44	73	83	45	65	63	12	-	16	79	53.5	89	69	20452	20451
OSP-P80	M10	11	-	72	60	111.5	63	97	112	55	80	81	15	-	25	103	66	118	87	20482	20480

