



# **MicroKing**

**Air Control Valves**

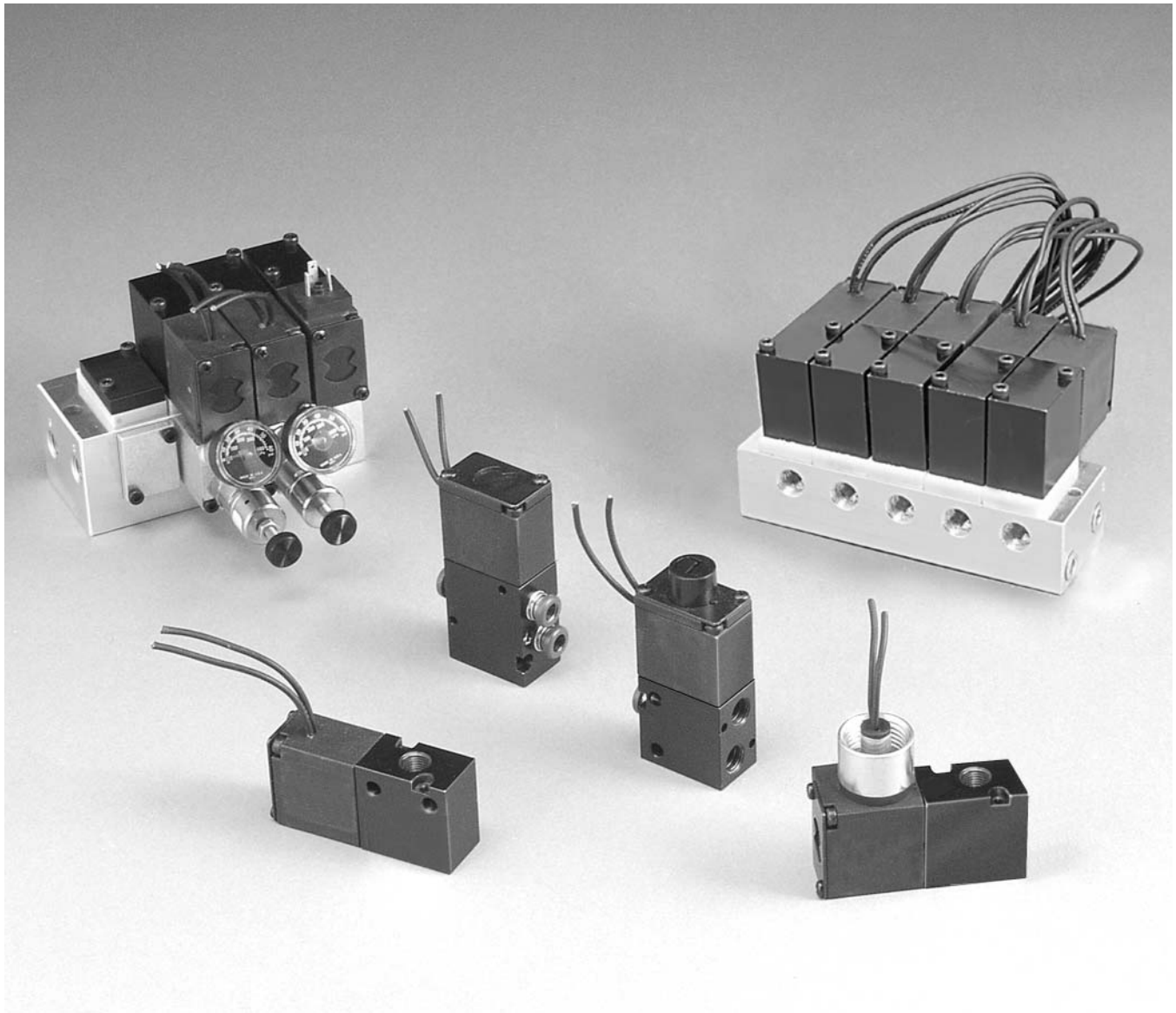
**Direct Acting, M5 & 1/8" Port**

**3-Way: .19 Cv**

**4-Way: .18 Cv**

*Catalog MicroKing-E/USA*

*May, 2005*



**Note: Shaded options have been discontinued.  
Refer to back of Catalog for  
Cross Reference Information.**

---

 **WARNING**

FAILURE OR IMPROPER SELECTION OR IMPROPER USE OF THE PRODUCTS AND/OR SYSTEMS DESCRIBED HEREIN OR RELATED ITEMS CAN CAUSE DEATH, PERSONAL INJURY AND PROPERTY DAMAGE.

This document and other information from Parker Hannifin Corporation, its subsidiaries and authorized distributors provide product and/or system options for further investigation by users having technical expertise. It is important that you analyze all aspects of your application including consequences of any failure, and review the information concerning the product or system in the current product catalog. Due to the variety of operating conditions and applications for these products or systems, the user, through its own analysis and testing, is solely responsible for making the final selection of the products and systems and assuring that all performance, safety and warning requirements of the application are met.

The products described herein, including without limitation, product features, specifications, designs, availability and pricing, are subject to change by Parker Hannifin Corporation and its subsidiaries at any time without notice.

**Offer of Sale**

The items described in this document are hereby offered for sale by Parker Hannifin Corporation, its subsidiaries or its authorized distributors. This offer and its acceptance are governed by the provisions stated on the separate page of this document entitled "Offer of Sale".

© Copyright 2005 Parker Hannifin Corporation. All Rights Reserved

**Table of Contents**

**Table of Contents**

Basic Valve Functions ..... 2

MicroKing Series Basic Features ..... 3

Common Part Numbers

    3-Way ..... 4

    4-Way ..... 5

Model Number Index ..... 6

IEM Bar Manifolds ..... 7

Subbase Bar Manifolds ..... 8

IEM Sandwich Regulator ..... 9

Subbase Manifold Regulator ..... 10

Technical Information / Kits & Accessories ..... 11-12

Dimensions ..... 13-16

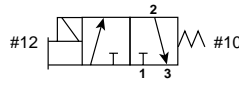
Cross Reference ..... 17-20

Offer of Sale ..... 21

**Bold text part numbers are standard.**

Standard text part numbers may have longer lead times.

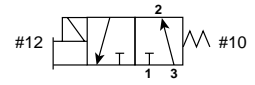
### 3-Way, 2-Position, Normally Closed



*De-energized position* – Solenoid #12 de-energized. Pressure at inlet port 1 blocked, outlet port 2 connected to exhaust port 3.

*Energized position* – Solenoid #12 energized. Pressure at inlet port 1 is connected to outlet port 2, exhaust port 3 is blocked.

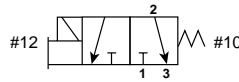
### 3-Way, 2-Position, Normally Open



*De-energized position* – Solenoid #12 de-energized. Pressure at inlet port 3 connected to outlet port 2, exhaust port 1 is blocked.

*Energized position* – Solenoid #12 energized. Pressure at inlet port 3 blocked, outlet port 2 connected to exhaust port 1.

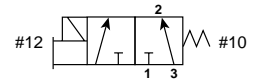
### 3-Way, 2-Position, Diverter



*De-energized position* – Solenoid #12 de-energized. Pressure at inlet port 2 connected to outlet port 3. Port 1 is blocked.

*Energized position* – Solenoid #12 energized. Pressure at inlet port 2 is connected to outlet port 1. Port 3 is blocked.

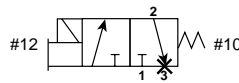
### 3-Way, 2-Position, Selector



*De-energized position* – Solenoid #12 de-energized. Pressure at inlet port 1 is blocked. Pressure at inlet port 3 is connected to outlet port 2.

*Energized position* – Solenoid #12 energized. Pressure at inlet port 1 is connected to outlet port 2. Pressure at port 3 is blocked.

### 2-Way, 2-Position, Normally Closed

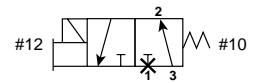


*De-energized position* – Solenoid #12 de-energized. Pressure at inlet port 1 blocked, port 2 is connected to port 3, which is plugged.

*Energized position* – Solenoid #12 energized. Pressure at inlet port 1 is connected to outlet port 2. Port 3 is blocked.

\* Plug port 3.

### 2-Way, 2-Position, Normally Open

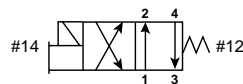


*De-energized position* – Solenoid #12 de-energized. Pressure at inlet port 3 is connected to outlet port 2. Port 1 is blocked.

*Energized position* – Solenoid #12 energized. Pressure at inlet port 3 is blocked. Port 2 is connected to port 1, which is plugged.

\* Plug port 1.

### 4-Way, 2-Position



*De-energized position* – Solenoid #14 de-energized. Pressure at inlet port 1 connected to outlet port 2. Outlet port 4 connected to exhaust port 3.

*Energized position* – Solenoid #14 energized. Pressure at inlet port 1 is connected to outlet port 4. Outlet port 2 is connected to exhaust port 3. 4-Way valve can be used as a 3-Way NC/NO or a 2-Way valve by plugging the appropriate ports.

MicroKing 3-Way Subbase Valve on 3-Port Subbase Bar Manifold is available as 3-Way NC and 3-Way NO. When choosing either an NC or NO valve, the valve is the same but the selector gasket is different to give the desired function.

# MicroKing

## Flow Characteristics

- MK 3-Way: .19 Cv
- MK 4-Way: .18 Cv

## Operating Pressure

- Vacuum to 120 PSIG

## Ports

- 1/8" NPT
- M5
- 1/4 Inch Tube

## Mounting

- Inline – Universal Function
  - NC, NO
  - Selector, Diverter
- IEM Bar Manifold
- Subbase Valve
  - NC, NO, Selector
- 3-Port Subbase Aluminum Bar Manifold
- 4-Port Subbase Aluminum Bar Manifold

## Solenoids

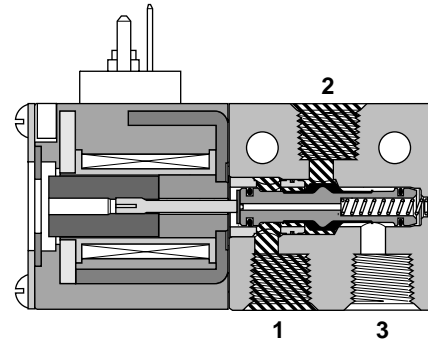
- Continuous Duty Rated
  - 24" Grommet, 15mm 3-Pin DIN 43650C, 1/2" Conduit
  - 12VDC to 240VAC

## Balanced Poppet

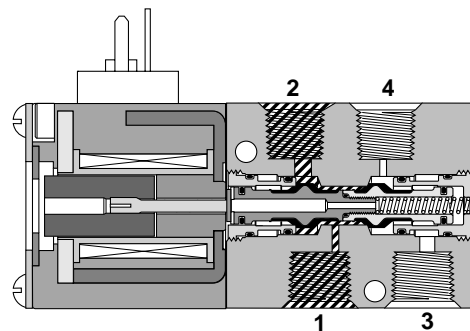
- Buna-N
- Fluorocarbon

## Certification / Approval

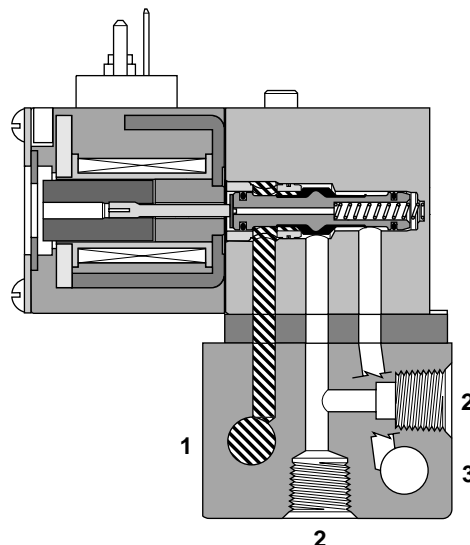
- Approved to be CSA and CE marked



**3-Way Inline Valve**  
 Shown Energized



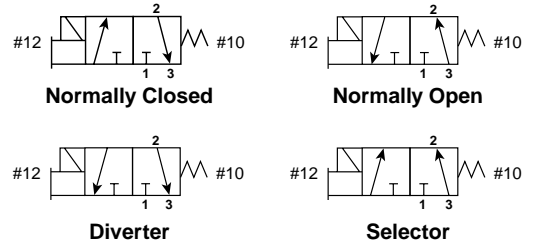
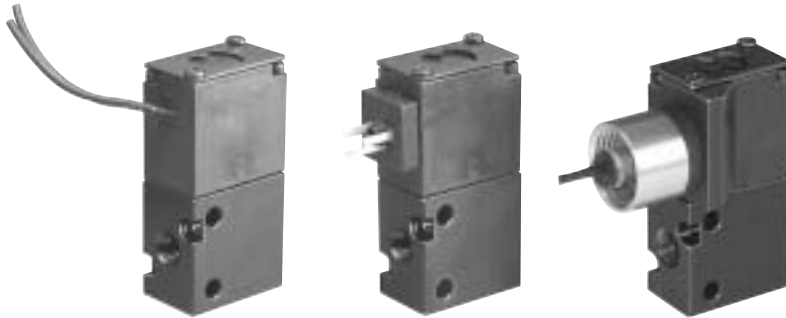
**4-Way Inline Valve**  
 Shown De-Energized



**Subbase Valve on 3-Ported Subbase Bar Manifold**  
 Shown De-Energized

 Pressure     Exhaust

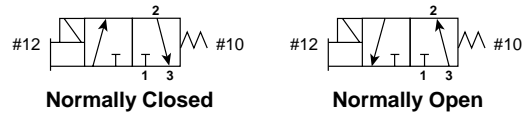
### 3-Way Universal Inline



24" Grommet	3-Pin 15mm DIN 43650C	1/2" Conduit / 24" Leads	Voltage	Port Size
<b>MKH0NBG45A</b>	<b>MKH0NB545A</b>	<b>MKH0NBH45A</b>	12VDC	1/8" NPT
<b>MKH0NBG49A</b>	<b>MKH0NB549A</b>	<b>MKH0NBH49A</b>	24VDC	
<b>MKH0NBG53A</b>	<b>MKH0NB553A</b>	<b>MKH0NBH53A</b>	120VAC	
<b>MKHFNBG45A</b>	<b>MKHFNB545A</b>	<b>MKHFNBH45A</b>	12VDC	1/4" Tube Port #2
<b>MKHFNBG49A</b>	<b>MKHFNB549A</b>	<b>MKHFNBH49A</b>	24VDC	1/8" NPT
<b>MKHFNBG53A</b>	<b>MKHFNB553A</b>	<b>MKHFNBH53A</b>	120VAC	Port #1 & #3

**Note:** All units with non-locking flush override.

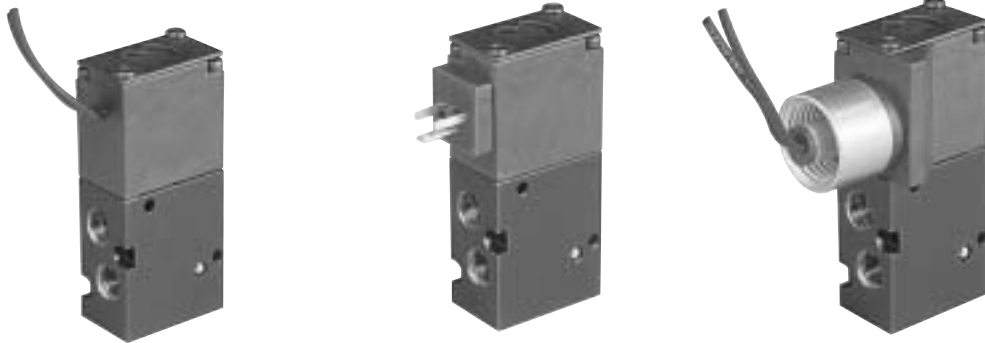
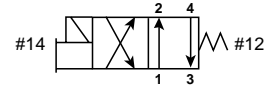
### 3-Way Subbase Mount



24" Grommet	3-Pin 15mm DIN 43650C	Voltage	Function
<b>MKVVBG45A</b>	<b>MKVVB545A</b>	12VDC	Normally Closed
<b>MKVVBG49A</b>	<b>MKVVB549A</b>	24VDC	
<b>MKVVBG53A</b>	<b>MKVVB553A</b>	120VAC	
<b>MKWVBG45A</b>	<b>MKWVB545A</b>	12VDC	Normally Open
<b>MKWVBG49A</b>	<b>MKWVB549A</b>	24VDC	
<b>MKWVBG53A</b>	<b>MKWVB553A</b>	120VAC	

**Note:** All units with non-locking flush override. Valve includes mounting bolts & appropriate NC or NO selector gasket.  
 Subbase valves must be used on PSEK & PSFK Bar Manifolds (Page 8).

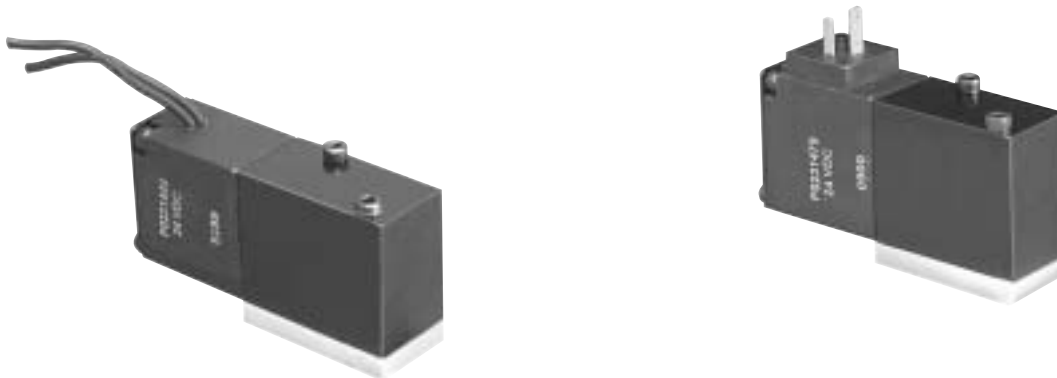
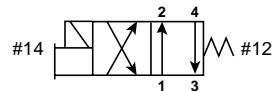
### 4-Way Inline



24" Grommet	3-Pin 15mm DIN 43650C	1/2" Conduit / 24" Leads	Voltage	Port Size
<b>MKE0NBG45A</b>	<b>MKE0NB545A</b>	<b>MKE0NBH45A</b>	12VDC	1/8" NPT
<b>MKE0NBG49A</b>	<b>MKE0NB549A</b>	<b>MKE0NBH49A</b>	24VDC	
<b>MKE0NBG53A</b>	<b>MKE0NB553A</b>	<b>MKE0NBH53A</b>	120VAC	
<b>MKEFNBG45A</b>	<b>MKEFNB545A</b>	<b>MKEFNBH45A</b>	12VDC	1/4" Tube Port #2 & #4
<b>MKEFNBG49A</b>	<b>MKEFNB549A</b>	<b>MKEFNBH49A</b>	24VDC	1/8" NPT
<b>MKEFNBG53A</b>	<b>MKEFNB553A</b>	<b>MKEFNBH53A</b>	120VAC	Port #1 & #3

**Note:** All units with non-locking flush override.

### 4-Way Subbase Mount



24" Grommet	3-Pin 15mm DIN 43650C	Voltage
<b>MKEVNBG45A</b>	<b>MKEVNB545A</b>	12VDC
<b>MKEVNBG49A</b>	<b>MKEVNB549A</b>	24VDC
<b>MKEVNBG53A</b>	<b>MKEVNB553A</b>	120VAC

**Note:** All units with non-locking flush override. Valve includes mounting bolts and gasket. Subbase valves must be used on PSEK & PSFK Bar Manifolds (Page 8).

# MicroKing

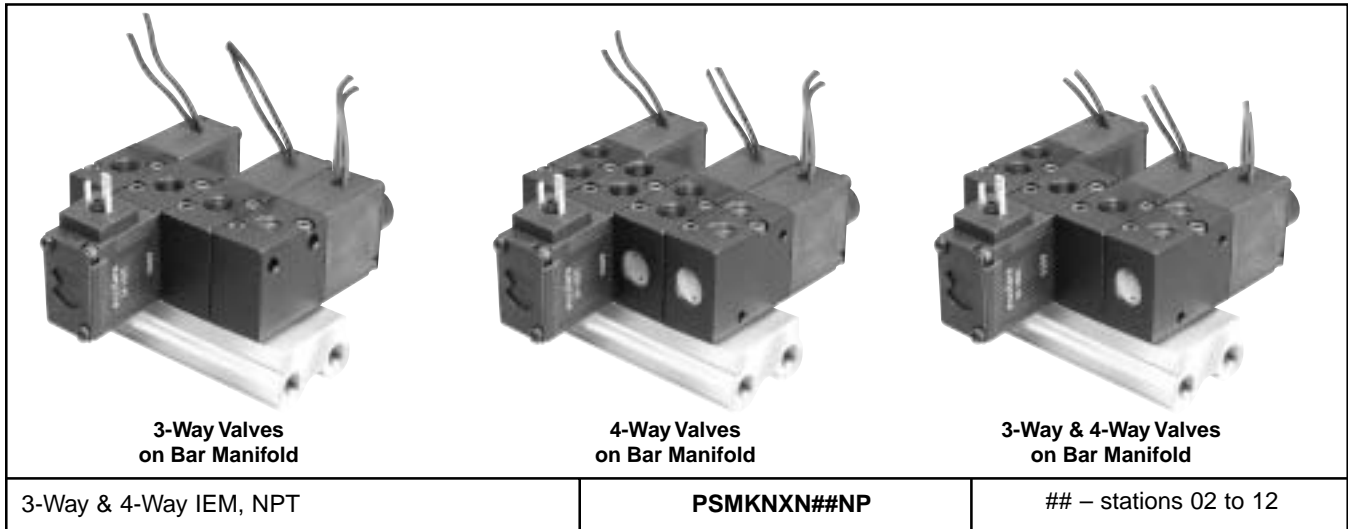
**BOLD OPTIONS ARE STANDARD**

Basic Series	Operator / Function	Port Size / Thread Type	Pilot Source / Exhaust	Overrides	Enclosures / Lead Length / Voltage	Options	Engineering Level																																																								
<b>MK</b>	<b>H</b>	<b>O</b>	<b>N</b>	<b>B</b>	<b>G53</b>	<b>-</b>	<b>A</b>																																																								
<b>Operator / Function</b> <b>3-Way Inline</b> <b>H Universal 3-Way, Spring Return</b> <b>3-Way Subbase</b> <b>V 3-Way Normally Closed, Spring Return</b> <b>W 3-Way Normally Open, Spring Return</b> <b>4-Way Inline / Subbase</b> <b>E 4-Way Single Solenoid, Spring Return</b>		<b>Pilot Source / Pilot Exhaust</b> <b>N Direct Operated</b>		<b>Overrides</b> <b>A**† No Override</b> <b>B Flush - Non-Locking</b> <b>C*† Flush Locking</b> <small>* Not Available with DC Voltages.                      ** Only Available with Mobile Voltage.                      † Not Available with Operator / Function E.</small>	<b>Options</b> <b>Blank None</b> <b>02 Coil Connection 180° from Port #2</b> <b>V0 Fluorocarbon Seals</b> <b>V2 Fluorocarbon Seals, Coil Connection 180° from Port #2</b> <b>F0* Flow Control</b> <b>F2* Flow Control, Coil Connection 180° from Port #2</b> <b>FV* Flow Control, Fluorocarbon Seals</b> <b>F4* F2 + FV</b> <small>* Available on 4-Way Valves Only (Operator Function 'E')</small>			<b>Engineering Level</b> <b>A Current</b>																																																							
		<b>Port Size / Thread Type</b> <b>3-Way</b> <b>0* 1/8" NPT Inline</b> <b>3 1/4" Tube - Port 1 &amp; 2; 1/8" NPT - Port 3 Inline</b> <b>6 1/4" Tube - Port 2 &amp; 3; 1/8" NPT - Port 1 Inline</b> <b>C* M5 Inline</b> <b>D 1/4" Tube - Port 1, 2 &amp; 3 Inline</b> <b>F* 1/4" Tube - Port 2; 1/8" NPT - Port 1 &amp; 3 Inline</b> <b>V† Subbase Valve Less Base</b> <b>4-Way</b> <b>0* 1/8" NPT Inline</b> <b>3 1/4" Tube - Port 1, 2 &amp; 4; 1/8" NPT - Port 3 Inline</b> <b>C* M5 Inline</b> <b>F* 1/4" Tube - Port 2 &amp; 4; 1/8" NPT - Port 1 &amp; 3 Inline</b> <b>V† Subbase Valve Less Base</b> <small>* Available on IEM Manifold.                      † Not Available with Conduit Enclosures.</small>	<table border="1"> <thead> <tr> <th rowspan="3">Enclosures / Lead Length</th> <th colspan="2">Voltage</th> </tr> <tr> <th>AC</th> <th>DC</th> </tr> <tr> <th>60Hz</th> <th>50Hz</th> </tr> </thead> <tbody> <tr> <td>542 15mm 3-Pin DIN 43650C</td> <td>24</td> <td>22</td> </tr> <tr> <td>545 15mm 3-Pin DIN 43650C</td> <td></td> <td>12</td> </tr> <tr> <td>547* 15mm 3-Pin DIN 43650C</td> <td></td> <td>12</td> </tr> <tr> <td>548* 15mm 3-Pin DIN 43650C</td> <td></td> <td>24</td> </tr> <tr> <td><b>549 15mm 3-Pin DIN 43650C</b></td> <td></td> <td><b>24</b></td> </tr> <tr> <td><b>553 15mm 3-Pin DIN 43650C</b></td> <td><b>120</b></td> <td><b>110</b></td> </tr> <tr> <td>557 15mm 3-Pin DIN 43650C</td> <td>240</td> <td>220</td> </tr> <tr> <td>G42 Grommet / Flying Leads 24"</td> <td>24</td> <td>22</td> </tr> <tr> <td><b>G45 Grommet / Flying Leads 24"</b></td> <td></td> <td><b>12</b></td> </tr> <tr> <td>G47* Grommet / Flying Leads 24"</td> <td></td> <td>12</td> </tr> <tr> <td>G48* Grommet / Flying Leads 24"</td> <td></td> <td>24</td> </tr> <tr> <td><b>G49 Grommet / Flying Leads 24"</b></td> <td></td> <td><b>24</b></td> </tr> <tr> <td><b>G53 Grommet / Flying Leads 24"</b></td> <td><b>120</b></td> <td><b>110</b></td> </tr> <tr> <td>G57 Grommet / Flying Leads 24"</td> <td>240</td> <td>220</td> </tr> <tr> <td>H45† 1/2" Conduit / Flying Leads 24"</td> <td></td> <td>12</td> </tr> <tr> <td><b>H49† 1/2" Conduit / Flying Leads 24"</b></td> <td></td> <td><b>24</b></td> </tr> <tr> <td><b>H53† 1/2" Conduit / Flying Leads 24"</b></td> <td><b>120</b></td> <td><b>110</b></td> </tr> </tbody> </table> <small>* Mobile Voltage                      † Will not mount on IEM manifolds.</small>			Enclosures / Lead Length	Voltage		AC	DC	60Hz	50Hz	542 15mm 3-Pin DIN 43650C	24	22	545 15mm 3-Pin DIN 43650C		12	547* 15mm 3-Pin DIN 43650C		12	548* 15mm 3-Pin DIN 43650C		24	<b>549 15mm 3-Pin DIN 43650C</b>		<b>24</b>	<b>553 15mm 3-Pin DIN 43650C</b>	<b>120</b>	<b>110</b>	557 15mm 3-Pin DIN 43650C	240	220	G42 Grommet / Flying Leads 24"	24	22	<b>G45 Grommet / Flying Leads 24"</b>		<b>12</b>	G47* Grommet / Flying Leads 24"		12	G48* Grommet / Flying Leads 24"		24	<b>G49 Grommet / Flying Leads 24"</b>		<b>24</b>	<b>G53 Grommet / Flying Leads 24"</b>	<b>120</b>	<b>110</b>	G57 Grommet / Flying Leads 24"	240	220	H45† 1/2" Conduit / Flying Leads 24"		12	<b>H49† 1/2" Conduit / Flying Leads 24"</b>		<b>24</b>	<b>H53† 1/2" Conduit / Flying Leads 24"</b>	<b>120</b>	<b>110</b>
Enclosures / Lead Length	Voltage																																																														
	AC	DC																																																													
	60Hz	50Hz																																																													
542 15mm 3-Pin DIN 43650C	24	22																																																													
545 15mm 3-Pin DIN 43650C		12																																																													
547* 15mm 3-Pin DIN 43650C		12																																																													
548* 15mm 3-Pin DIN 43650C		24																																																													
<b>549 15mm 3-Pin DIN 43650C</b>		<b>24</b>																																																													
<b>553 15mm 3-Pin DIN 43650C</b>	<b>120</b>	<b>110</b>																																																													
557 15mm 3-Pin DIN 43650C	240	220																																																													
G42 Grommet / Flying Leads 24"	24	22																																																													
<b>G45 Grommet / Flying Leads 24"</b>		<b>12</b>																																																													
G47* Grommet / Flying Leads 24"		12																																																													
G48* Grommet / Flying Leads 24"		24																																																													
<b>G49 Grommet / Flying Leads 24"</b>		<b>24</b>																																																													
<b>G53 Grommet / Flying Leads 24"</b>	<b>120</b>	<b>110</b>																																																													
G57 Grommet / Flying Leads 24"	240	220																																																													
H45† 1/2" Conduit / Flying Leads 24"		12																																																													
<b>H49† 1/2" Conduit / Flying Leads 24"</b>		<b>24</b>																																																													
<b>H53† 1/2" Conduit / Flying Leads 24"</b>	<b>120</b>	<b>110</b>																																																													

**Note: Overrides**  
 No Override option is recommended in applications which require an increased resistance to moisture. This option also includes a special gasket.

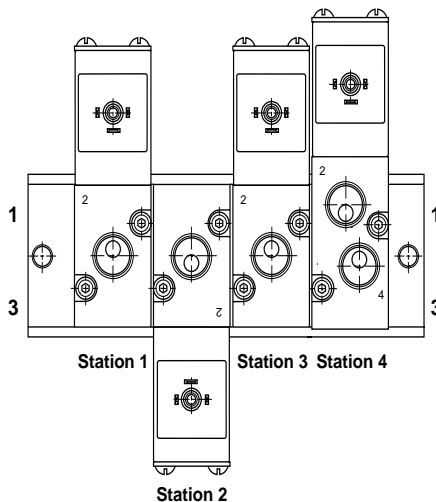
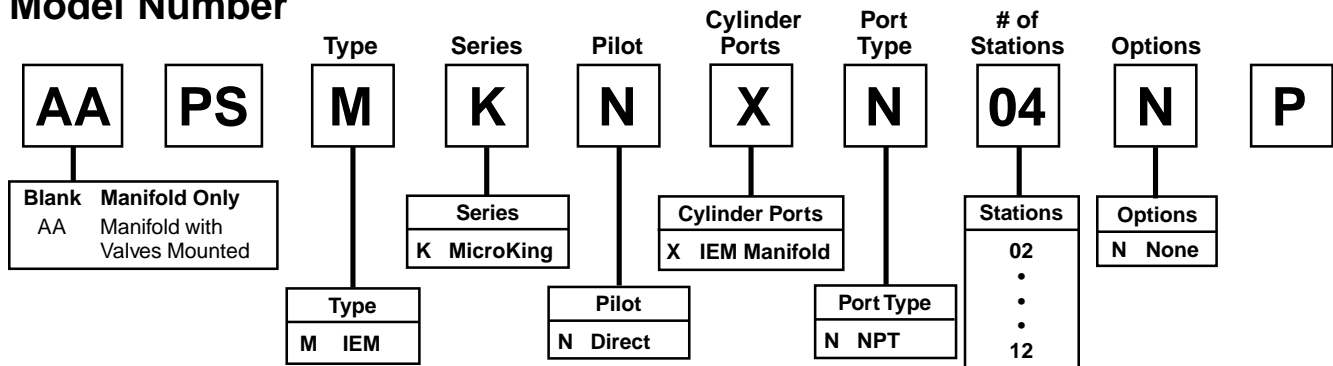
Subbase valves with option '02' or 'V2' will not mount on Subbase Manifolds with the Regulator Option.  
 Locking Override Option (Option "C") not available with Regulator Gauges.  
 Inline valves with option '02', 'V2', 'F2' or 'F4' will not mount on IEM Manifolds with Sandwich Regulators when the valve is configured for Normally Closed function.





- IEM Bar Manifold allows for mounting of 3-Way & 4-Way Inline MicroKing Valves. For 4-Way valves, inlet should always be at Port 1.
- Standard Manifold allows mounting of Normally Closed and Normally Open 3-Way Valves simultaneously by rotating valve mounting as shown in picture.
- Manifolds available in all station lengths 2 thru 12.
- Manifold Kit includes o-rings and bolts.
- Ports 1 & 3 are always 1/8" Pipe.

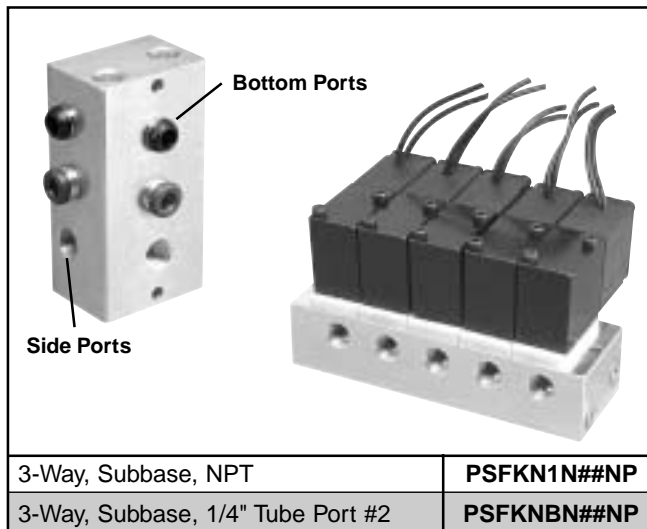
**Model Number**



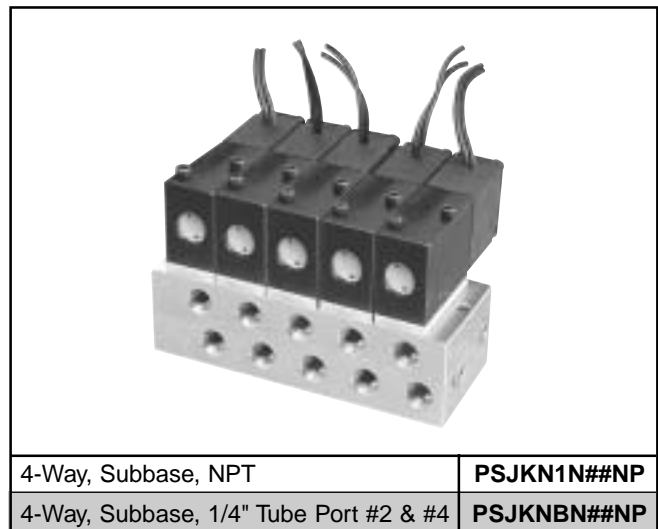
**How to Order an Add-A-Fold Assembly**

Item	Qty	Part Number
001	1	AAPSMKNXN04NP
002	3	MKH0NB549A - Station 1, 3 - Normally Closed - Station 2 - Normally Open
003	2	PS2130166P* - Station 1, 2
004	1	MKE0NB549A - Station 4

\* Regulator Gauges included but not assembled.  
 When ordering Add-A-Folds, list valves left to right when looking at the Port #3 side of the manifold.  
 Valve Function NC or NO and Regulator / Blank Plate location must be specified.



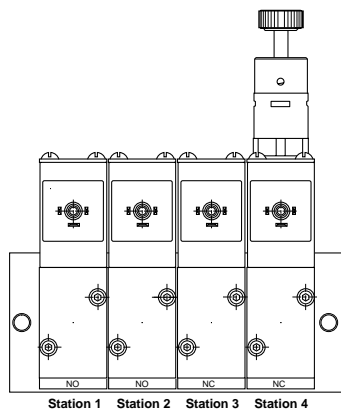
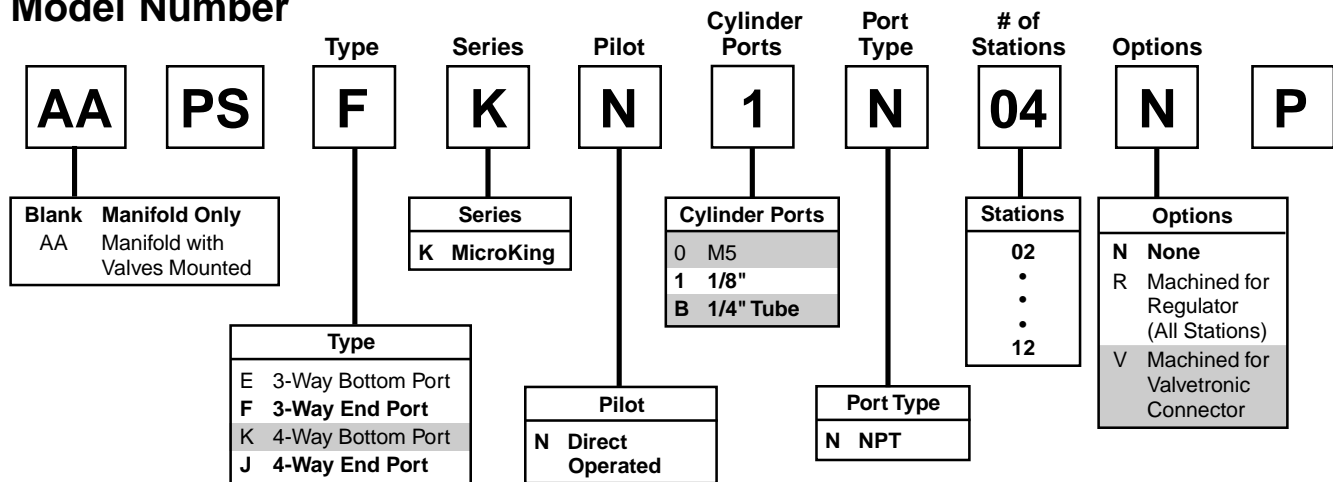
## – stations 02 to 12



## – stations 02 to 12

- 3 & 4-Ported Subbase Bar Manifold uses 3 & 4-Way Subbase mount MicroKing Valves.
- Standard Manifold allows mounting of 3-Way Normally Closed and Normally Open Valves simultaneously by use of selector gaskets.
- Bar Manifold Regulator Option is available with Option Code 'R'.
- 3-Way Valve includes selector plate and mounting bolts.
- 4-Way valve will include sandwich plate and mounting screws.
- Ports 1 & 3 are always 1/8" Pipe.

### Model Number



### How to Order an Add-A-Fold Assembly

Item	Qty	Part Number
001	1	AAPSFKN1N04RP
002	2	MKWVNB549A - Station 1, 2
003	2	MKVVNB549A - Station 3, 4
004	3	PS2109P - Station 1, 2 & 3
005	1	PS2131166P* - Station 4

\* Regulator gauges included but not assembled.

When ordering Add-A-Folds, list valves left to right when looking at the Port 2 side of the manifold.

Regulator / Cover Plate / Blank Plate location must be specified.

## IEM Sandwich Regulator

- Pressure regulation for individual valves mounted on IEM Bar Manifold.
- Same Sandwich Regulator used for 3-Way Normally Closed and Normally Open Valves and 4-Way Valves.

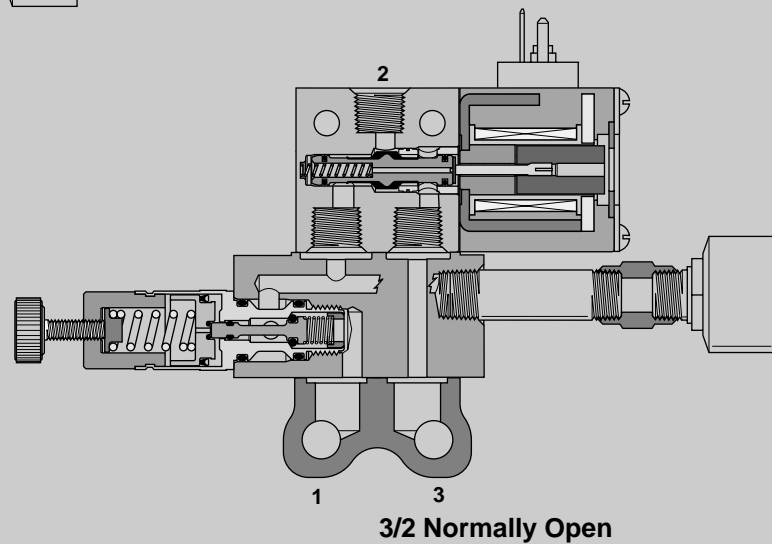
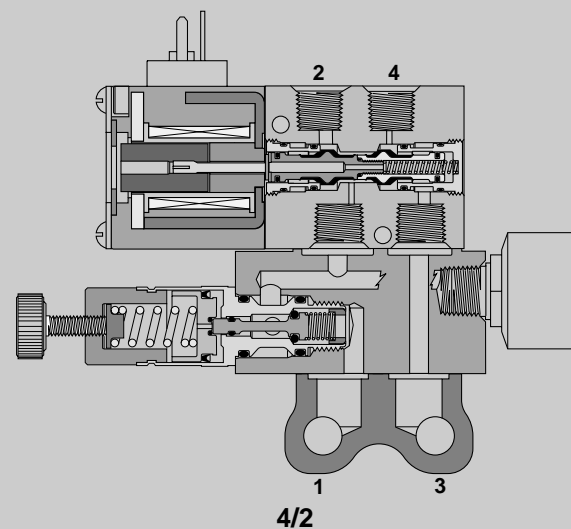
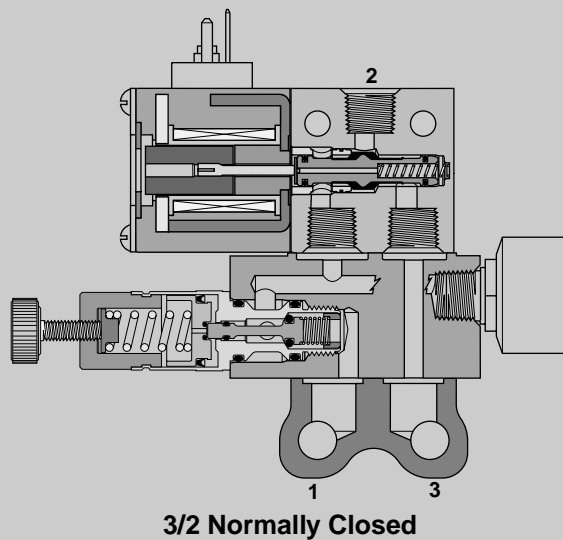
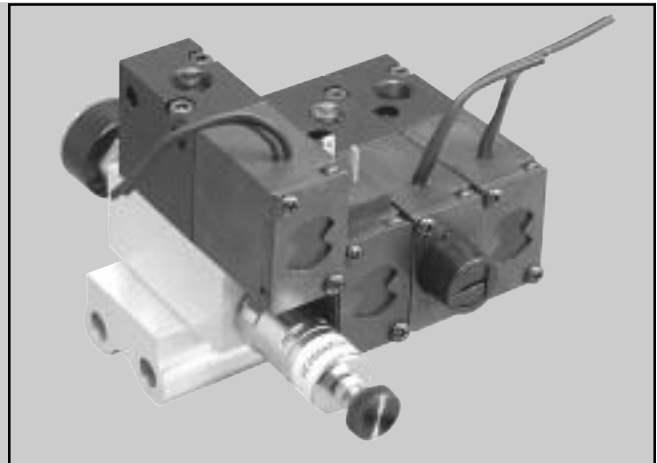
PSI	Common Port with Gauge *	Common Port without Gauge	Cv
60 PSI	PS2130155P	PS2130122P	.11
125 PSI	PS2130166P	PS2130133P	

\* Gauge is 160 PSI.

When mounting Regulators side-by-side or with Normally Open valves, gauges must be staggered. Brass adapters are listed at the bottom of the page.

Regulator without gauge includes 1/8" gauge plug.

Regulator with gauge includes 1/8" gauge plug & gauge (unassembled).



**Brass Adapters for Gauge –**

1/8" to 1/8" Female Coupling ..... 207P-2  
 1/8" Male Pipe Nipped 1.5" .... 215PNL-2-15  
 1/8" Male to Female Adapter ..... 222P-2-2

1/8" to 1/8" 45° Female Elbow ..... 2201P-2-2  
 1/8" to 1/8" 90° Female Elbow ..... 2200P-2-2

**Gauge 3/4" Face (.91" OD) –**  
 0-160 PSI ..... PS3451160P

## Subbase Manifold Regulator

- Pressure regulation for individual valves mounted on 3-Port or 4-Port Subbase Bar Manifold.
- Use Manifold with Option Code 'R' – all stations prepared to accept Regulator Kits or Cover Kits.
- Regulator Kits and Cover Kits ordered separately.

PSI	Common Port with Gauge *	Common Port without Gauge	Cv
60 PSI	PS2131155P	PS2131122P	.11
120 PSI	PS2131166P	PS2131133P	

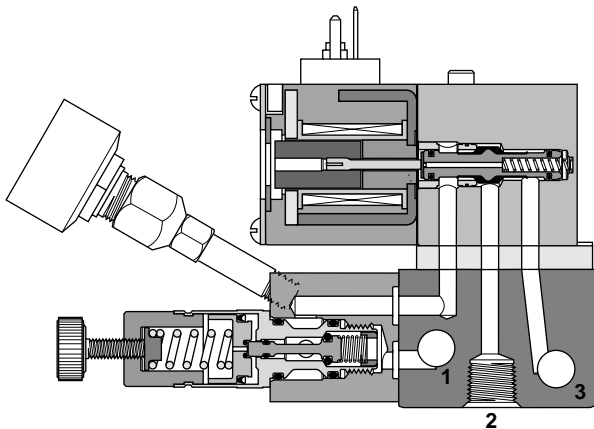
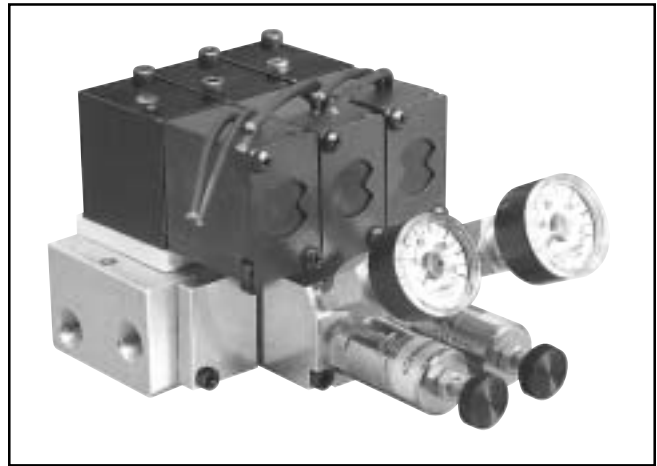
\* Gauge is 160 PSI.

When mounting Regulators side-by-side, gauges must be staggered. Brass adapters are listed at the bottom of the page.

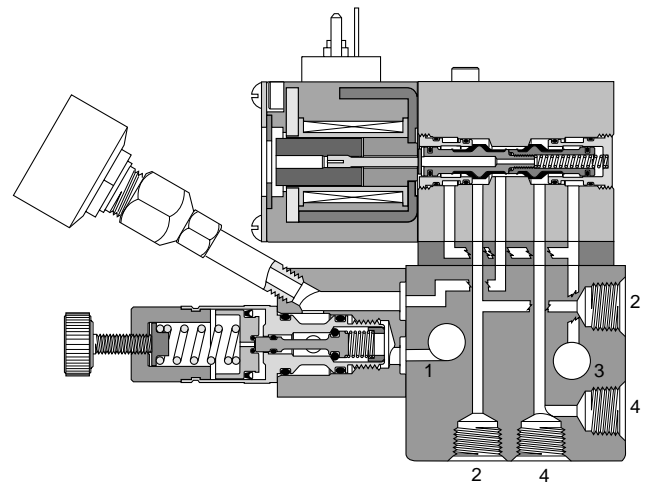
Regulator without gauge includes M5 gauge plug.

Regulator with gauge includes M5 gauge plug, 10-32x1/8" swivel fitting & gauge (unassembled).

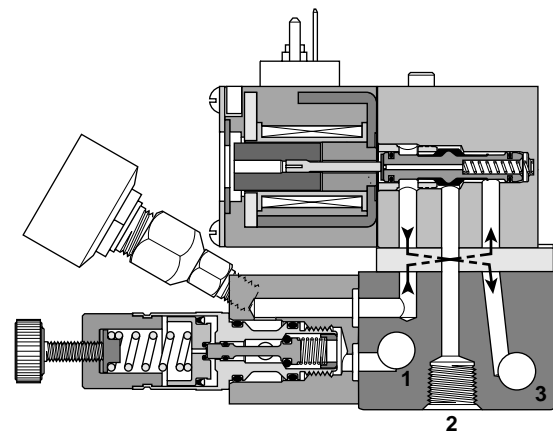
Regulator Cover Plate ..... PS2109P



**3/2 Normally Closed**



**4/2**



**3/2 Normally Open**

**Note:** Valve with Locking Override Option 'C' not available when Regulator Gauge is used.

**Brass Adapters for Gauge –**

- #10-32 Male to #10-32 Female Extender (Qty. 10) ..... PS2195P
- #10-32 Male to 1/8" Female Straight Swivel (Qty. 5) ..... PS2196P

**Gauge 3/4" Face (.91" OD) –**

- 0-160 PSI ..... PS3451160P

## Performance Information

Electrical					Flow			
Code	Voltage		Power Consumption (W / VA)	Holding Current (Amps)	Cv Chart - Buna-N (Fluorocarbon)			
	AC				M5	Subbase		
	60Hz	50Hz				1/8", 1/4" Tube	1/8", 1/4" Tube	
42	24	22	—	5.4VA	.228			
45	—	—	12	4.8W	.401	.15 (.11)	.19 (.15)	.11 (.11)
47*	—	—	12	4.3W	.402			
48*	—	—	24	4.9W	.204	.15 (.11)	.15 (.15)	.11 (.11)
49	—	—	24	4.9W	.203			
53	120	110	—	5.4VA	.045	.15 (.11)	.19 (.15)	.11 (.11)
57	240	220	—	6.0VA	.025			

**Note:** Voltage Tolerance: +10 / -15%

\* Mobile voltage applications: +25 / -30%, not available with 4-Way

Cv tested per ANSI / (NFPA) T3.21.3

## Response Time

Code	Voltage	0 Cu. In. Test Chamber		12 Cu. In. Test Chamber	
		Fill	Exhaust	Fill	Exhaust
49	24VDC	.025	.018	.335	.374
53	120VAC	.021	.029	.309	.389

**Average Fill Time (Seconds):** With 100 PSIG supply, time required to fill from 0-90 PSIG and exhaust from 100 PSIG to 10 PSIG is measured from instant of energizing, or de-energizing solenoid. Times shown are average.

Tested per ANSI / (NFPA) T3.21.8.

## Operating Pressure

Type	Minimum	Maximum
3 & 4-Way	Vac	120 PSIG

## Temperature Rating

Buna-N: 5°F to 120°F (-15°C to 49°C)

Fluorocarbon: 5°F to 140°F (-15°C to 60°C)

## 15mm 3-Pin DIN 43650C

Connector	Connector with 6' (2m) Cord	Description
PS2932BP	PS2932JBP	Unlighted
PS294675BP	PS2946J75BP*	Light – 12VAC or DC
PS294679BP	PS2946J79BP*	Light – 24VAC or DC
PS294683BP	PS2946J83BP*	Light – 110/120VAC
PS294687BP	N/A	Light – 240/230VAC

\* LED with surge suppression.

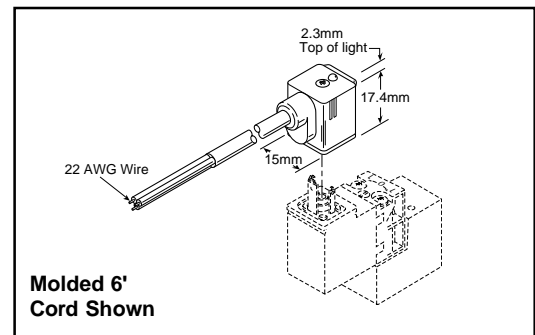
**Note:** Max ø6.5mm cable size required for connector w/o 6' (2m) cord.

### Engineering Data:

Conductors: 2 Poles Plus Ground

Cable Range (Connector Only): 4 to 6mm (0.16 to 0.24 Inch)

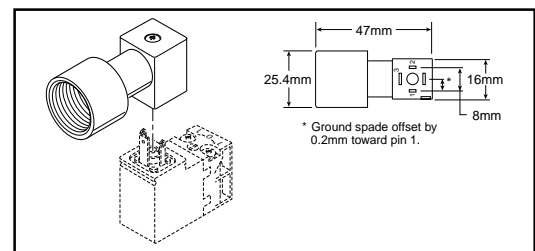
Contact Spacing: 8mm



## 15mm DIN 43650C to 1/2" Conduit

Connector	Description
PS2998P	1/2" NPTF Conduit – Unlighted with 3' (1m) Leads 20 AWG Wire

**Note:** Rated up to 250VAC or VDC; 6 Amps

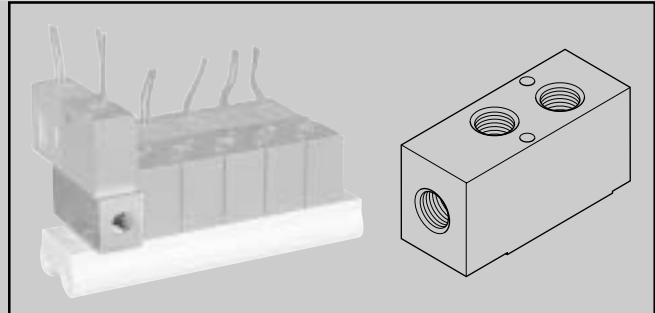


## Selector Sandwich

Model Number	Description
PS2144P	Selector Sandwich

**Kit Includes:** (1) Selector Sandwich, (2) Screws, (4) O-rings, (2) 1/8" pipe plugs.

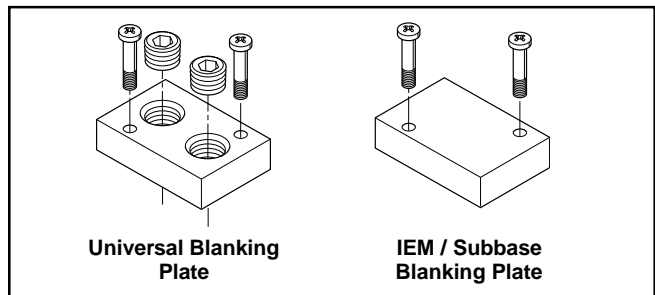
**Note:** For use with MicroKing 3-Way or 4-Way inline valves. The Selector Sandwich can be used to select a separate supply or separate exhaust for a individual valve which is mounted on an IEM bar manifold.



## Blanking Plate

Type	Kit Number			
	IEM Universal		IEM Blank	Subbase Blank
	NPT	BSPP "G"		
3-Way	PS2166P	PS2167P	PS2169P	PS2194P
4-Way	PS2166P	PS2167P	PS2169P	PS219401P

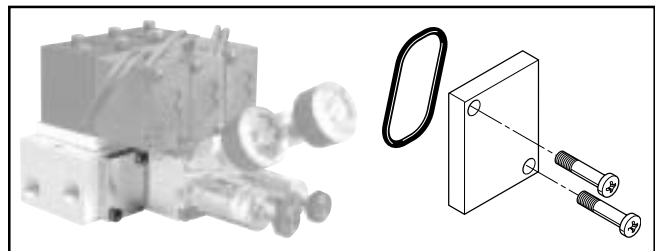
**Kit includes:** (1) Plate, (2) Screws, Gaskets



## Regulator Cover Plate

Type	Kit Number
3-Way / 4-Way	PS2109P

**Kit includes:** (1) Cover plate, (2) Screws, (1) O-ring



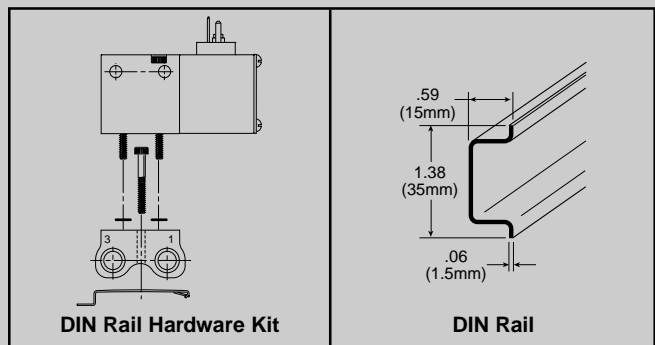
## DIN Rail Hardware Kit

Type	IEM Bar	4-Port Subbase Bar
3-Way	PS2190P	PS2190P
4-Way	PS2190P	PS2190P

**Kit includes:** (2) Screws, (2) Nuts, (2) Clamps

## DIN Rail

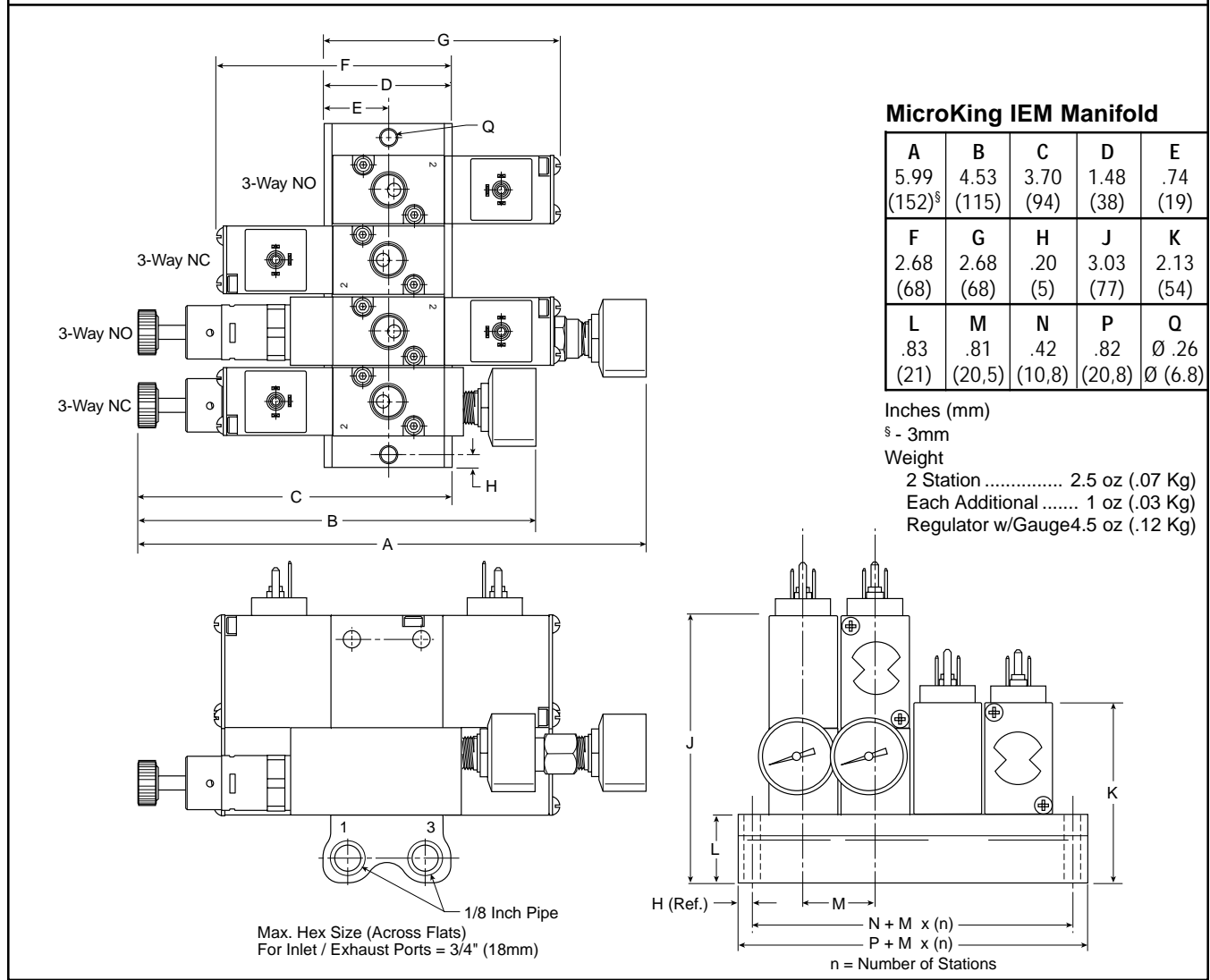
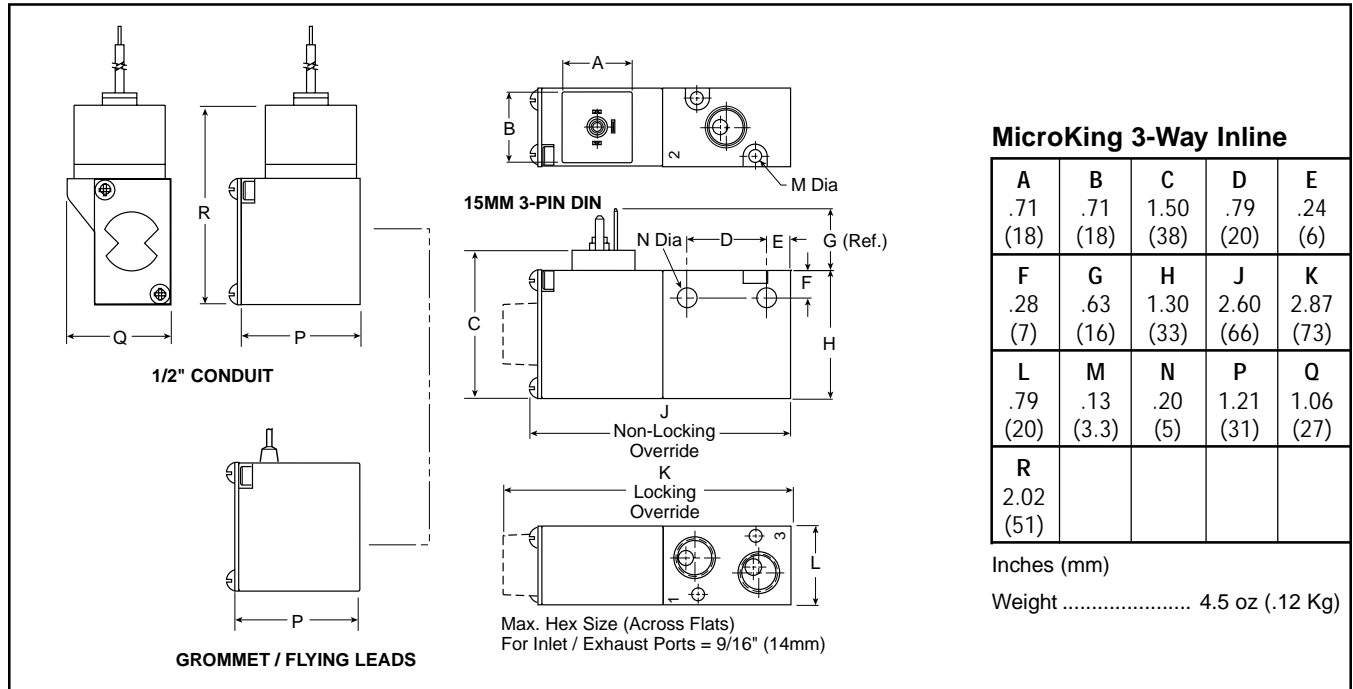
AM1DE200 6 Foot Rail Length



## Replacement Kits

PS2184P IEM Valve/Manifold O-ring Kit (10)  
 PS2187P IEM Valve/Manifold Bolt Kit (10)  
 PS2105P 3-Way Selector Gasket NC

PS2106P 3-Way Selector Gasket NO  
 PS2188P Subbase Valve / Manifold Bolt Kit (10)  
 PS210501P 4-Way Subbase Valve Sandwich Plate Kit (10)



**MicroKing 3-Way Subbase Manifold**

A	B	C	D	E
4.33 (110) <sup>†</sup>	2.74 (70) <sup>‡</sup>	1.57 (40) <sup>§</sup>	.79 (20)	.20 (5)
F	G	H	J	K
2.58 (66)	1.10 (28)	.81 (20.5)	.38 (9.7)	.77 (19.7)
L				
∅ .26 ∅ (6.8)				

Inches (mm)

<sup>†</sup> ± 5mm

<sup>‡</sup> ± 3mm

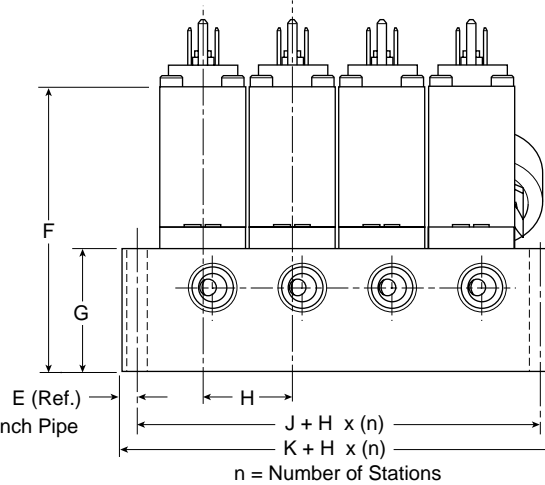
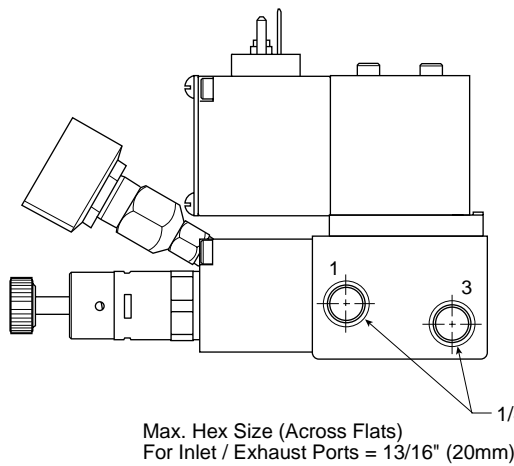
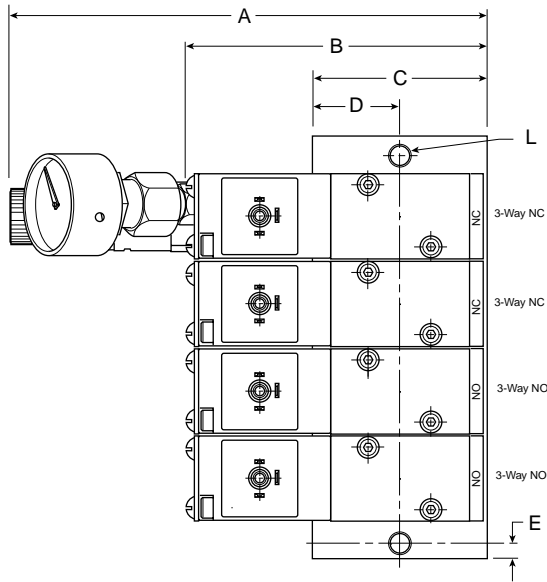
<sup>§</sup> - 3mm

Weight

2 Station ..... 5.0 oz (.14 Kg)

Each Additional .... 1.8 oz (.05 Kg)

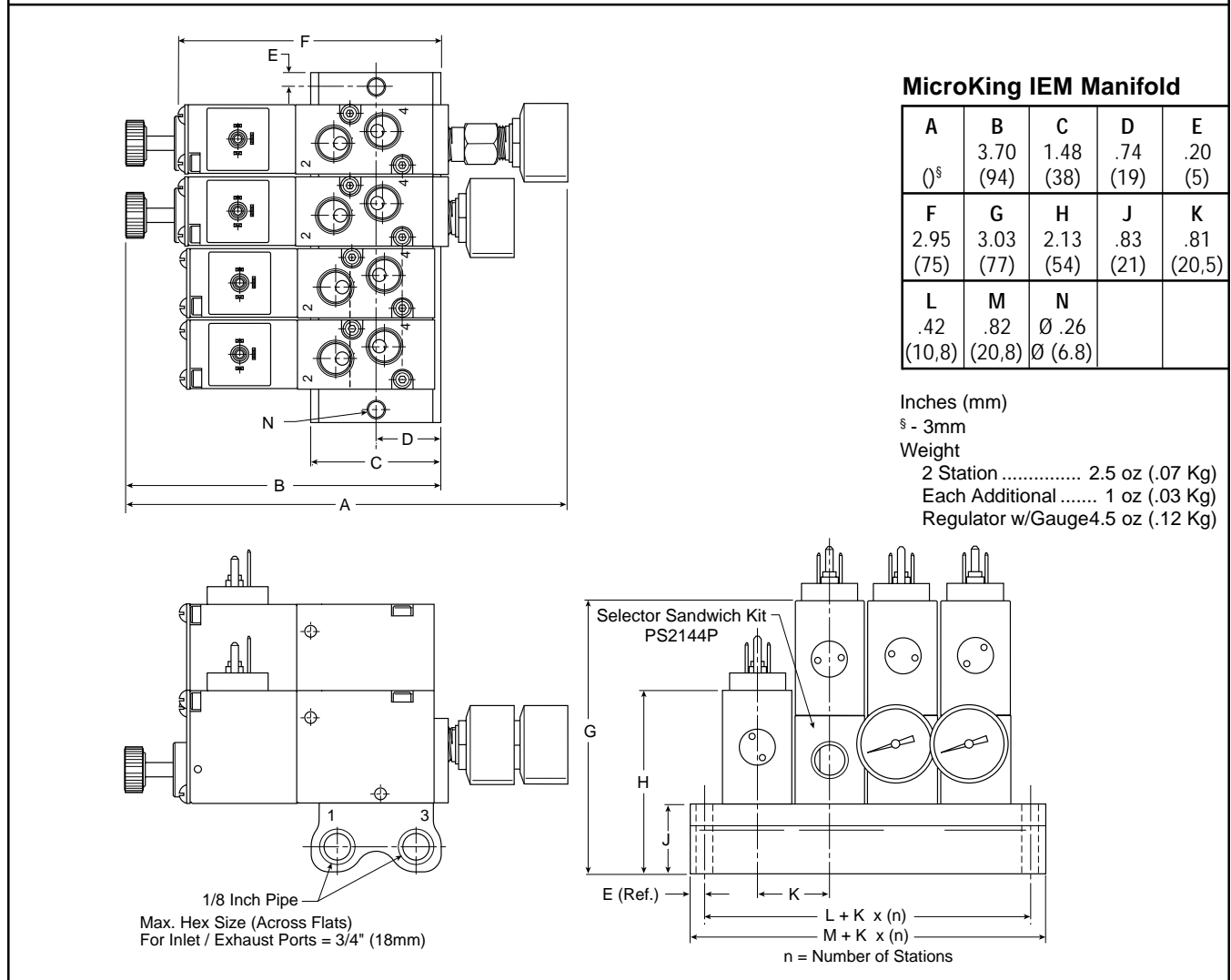
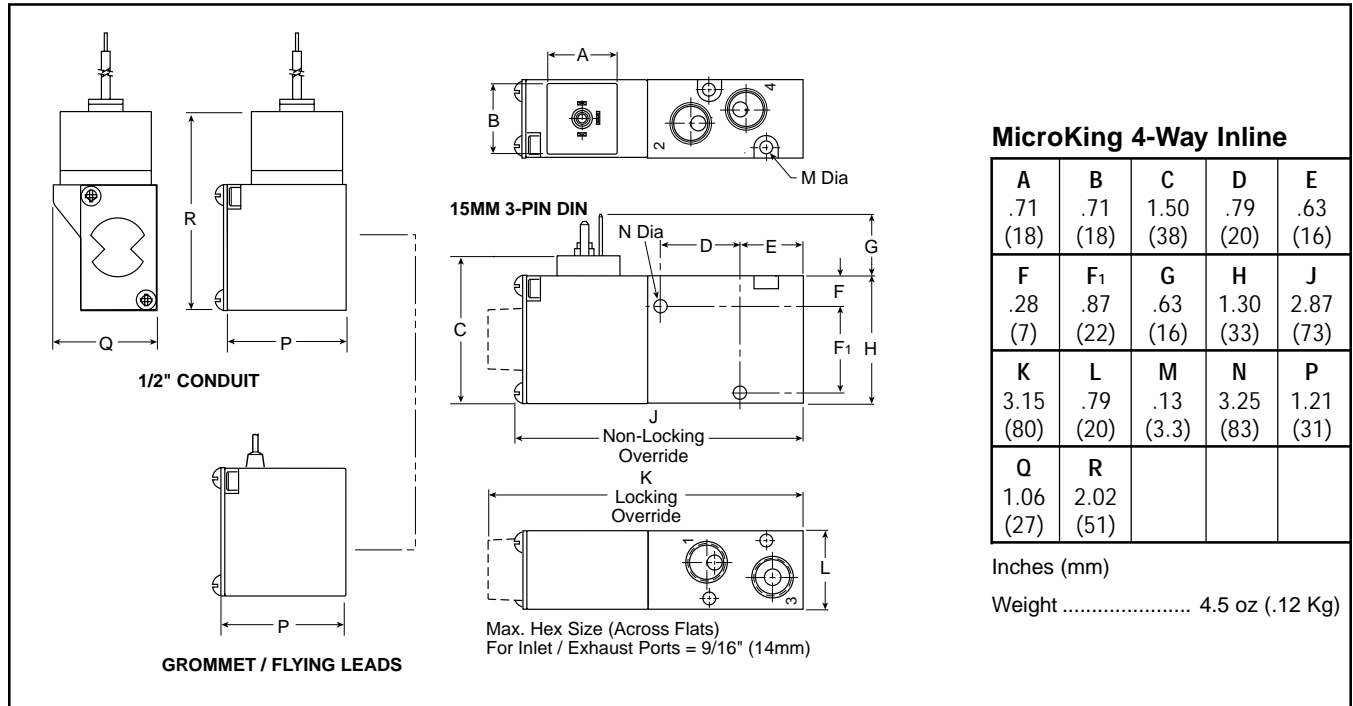
Regulator w/Gauge 3.5 oz (.1 Kg)



**Note:** Valve options '02' & 'V2' - Solenoid Rotated 180° - NOT available with regulator option.

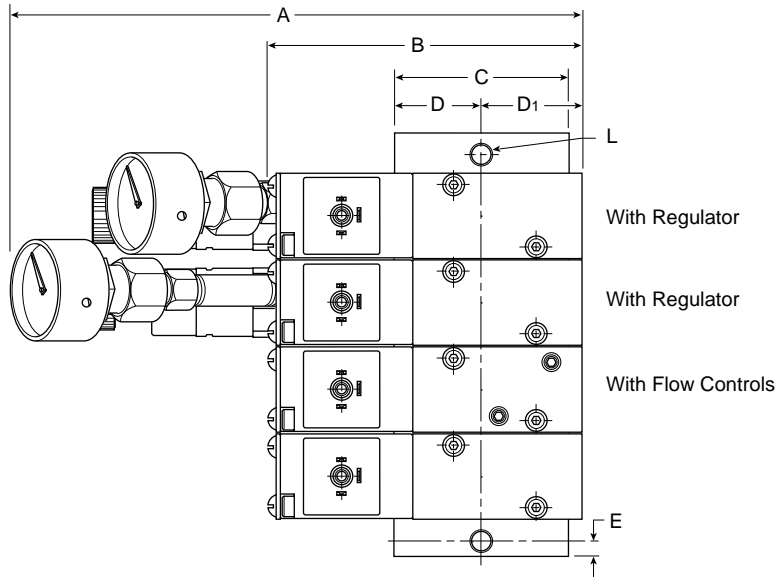
Locking Override Option (Option "C") not available with Regulator Gauges.





**MicroKing 4-Way Subbase Manifold**

A	B	C	D	D <sub>1</sub>
4.53 (115) <sup>†</sup>	2.87 (73) <sup>‡</sup>	1.77 (45) <sup>§</sup>	.83 (21)	.79 (20)
E	F	G	H	J
.19 (5)	3.07 (78)	1.57 (40)	.84 (21)	.51 (13)
K	L	M		
.91 (23)	∅ .28 ∅ (7)	.23 (6)		



Inches (mm)

<sup>†</sup> ± 5mm

<sup>‡</sup> ± 3mm

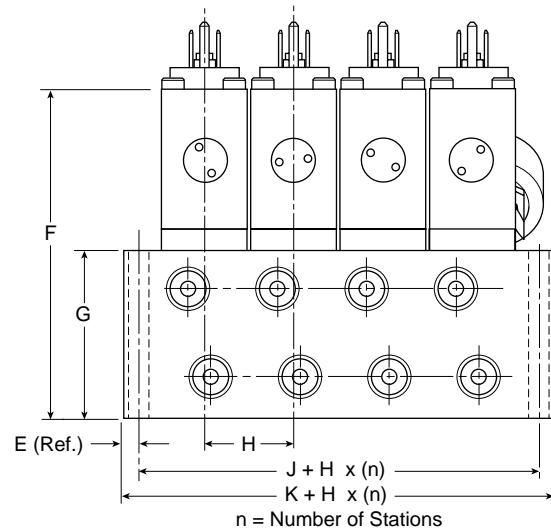
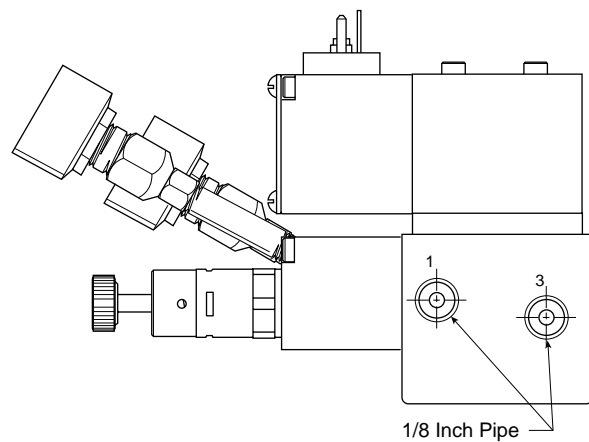
<sup>§</sup> - 3mm

Weight

2 Station ..... 11.7 oz (.33 Kg)

Each Additional ..... 4 oz (.12 Kg)

Regulator w/Gauge 3.5 oz (.1 Kg)



**Note:** Valve options '02' & 'V2' - Solenoid Rotated 180° - NOT available with regulator option.

Locking Override Option (Option "C") not available with Regulator Gauges.

## Cross Reference

Obsolete Part Number	Suggested Replacement	Difference of Suggested Replacement and / or Recommended Kits
MKEFNBH49A	MKE0NBH49A	Replacement Valve Difference, 1/4" Tube - Port 2 & 4, 1/8 NPT - Port 1 & 3 to 1/8" NPT Inline
MKEFNBH53A	MKE0NBH53A	Replacement Valve Difference, 1/4" Tube - Port 2 & 4, 1/8 NPT - Port 1 & 3 to 1/8" NPT Inline
MKEVNCG49A	MKEVNBG49A	Replacement Valve Difference, Flush - Locking to Flush - Non-locking
MKEVNCG53A	MKEVNBG53A	Replacement Valve Difference, Flush - Locking to Flush - Non-locking
MKEVNCG53F0A	MKEVNBG53A	Replacement Valve Difference, Flush - Locking to Flush - Non-locking and No Flow Control
MKH0NA549A	MKH0NB549A	Replacement Valve Difference, No Override to Flush - Non-locking
MKH0NAG45A	MKH0NBG45A	Replacement Valve Difference, No Override to Flush - Non-locking
MKH0NAG49A	MKH0NBG49A	Replacement Valve Difference, No Override to Flush - Non-locking
MKH0NAH49V2A	MKH0NBH4902A	Replacement Valve Difference, No Override to Flush - Non-locking and No Fluorocarbon Seals
MKH0NAH53A	MKH0NBH53A	Replacement Valve Difference, No Override to Flush - Non-locking
MKH0NBQ49A	MKH0NBG49A	Replacement Valve Difference, Grommet / Flying Leads 72" to Grommet / Flying Leads 24"
MKH0NBQ53A	MKH0NBG53A	Replacement Valve Difference, Grommet / Flying Leads 72" to Grommet / Flying Leads 24"
MKH0NC545A	MKH0NB545A	Replacement Valve Difference, Flush - Locking to Flush - Non-locking
MKH0NC547A	MKH0NB547A	Replacement Valve Difference, Flush - Locking to Flush - Non-locking
MKH0NC548A	MKH0NB548A	Replacement Valve Difference, Flush - Locking to Flush - Non-locking
MKH0NC549A	MKH0NB549A	Replacement Valve Difference, Flush - Locking to Flush - Non-locking
MKH0NCG49A	MKH0NBG49A	Replacement Valve Difference, Flush - Locking to Flush - Non-locking
MKH0NCH49A	MKH0NBH49A	Replacement Valve Difference, Flush - Locking to Flush - Non-locking
MKH0NCQ49A	MKH0NBG49A	Replacement Valve Difference, Flush - Locking to Flush - Non-locking and Grommet / Flying Leads 72" to Grommet / Flying Leads 24"
MKH3NB549A	MKH0NB549A	Replacement Valve Difference, 1/4" Tube - Port 1 & 2; 1/8" NPT - Port 3 Inline to 1/8" NPT Inline
MKH3NB553A	MKH0NB553A	Replacement Valve Difference, 1/4" Tube - Port 1 & 2; 1/8" NPT - Port 3 Inline to 1/8" NPT Inline
MKH3NBG42A	MKH0NBG42A	Replacement Valve Difference, 1/4" Tube - Port 1 & 2; 1/8" NPT - Port 3 Inline to 1/8" NPT Inline
MKH3NBG45A	MKH0NBG45A	Replacement Valve Difference, 1/4" Tube - Port 1 & 2; 1/8" NPT - Port 3 Inline to 1/8" NPT Inline
MKH3NBG53A	MKH0NBG53A	Replacement Valve Difference, 1/4" Tube - Port 1 & 2; 1/8" NPT - Port 3 Inline to 1/8" NPT Inline
MKH3NBH53A	MKH0NBH53A	Replacement Valve Difference, 1/4" Tube - Port 1 & 2; 1/8" NPT - Port 3 Inline to 1/8" NPT Inline
MKH3NC549A	MKH0NB549A	Replacement Valve Difference, 1/4" Tube - Port 1 & 2; 1/8" NPT - Port 3 Inline to 1/8" NPT Inline
MKH6NBG53A	MKH0NBG53A	Replacement Valve Difference, 1/4 NPT Tube - Port 2 & 3; 1/8" NPT - Port 1 Inline to 1/8" NPT Inline
MKHCNB549A	MKH0NB549A	Replacement Valve Difference, M5 Inline to 1/8" NPT Inline
MKHDNB549A	MKH0NB549A	Replacement Valve Difference, 1/4" Tube - Port 1, 2, & 3 Inline to 1/8"
MKHDNBG45A	MKH0NBG45A	Replacement Valve Difference, 1/4" Tube - Port 1, 2, & 3 Inline to 1/8"
MKHDNBG47A	MKH0NBG47A	Replacement Valve Difference, 1/4" Tube - Port 1, 2, & 3 Inline to 1/8"
MKHDNBG48A	MKH0NBG48A	Replacement Valve Difference, 1/4" Tube - Port 1, 2, & 3 Inline to 1/8"
MKHDNBG49A	MKH0NBG49A	Replacement Valve Difference, 1/4" Tube - Port 1, 2, & 3 Inline to 1/8"
MKHDNBG53A	MKH0NBG53A	Replacement Valve Difference, 1/4" Tube - Port 1, 2, & 3 Inline to 1/8"
MKHDNBH45A	MKH0NBH45A	Replacement Valve Difference, 1/4" Tube - Port 1, 2, & 3 Inline to 1/8"
MKHDNBH53A	MKH0NBH53A	Replacement Valve Difference, 1/4" Tube - Port 1, 2, & 3 Inline to 1/8"
MKHFN545A	MKH0NB545A	Replacement Valve Difference, 1/4" Tube - Port 2; 1/8" NPT - Port 1 & 3 Inline to 1/8" NPT Inline
MKHFN547A	MKH0NB547A	Replacement Valve Difference, 1/4" Tube - Port 2; 1/8" NPT - Port 1 & 3 Inline to 1/8" NPT Inline
MKHFN549A	MKH0NB549A	Replacement Valve Difference, 1/4" Tube - Port 2; 1/8" NPT - Port 1 & 3 Inline to 1/8" NPT Inline
MKHFN553A	MKH0NB553A	Replacement Valve Difference, 1/4" Tube - Port 2; 1/8" NPT - Port 1 & 3 Inline to 1/8" NPT Inline
MKHFN545A	MKH0NBG45A	Replacement Valve Difference, 1/4" Tube - Port 2; 1/8" NPT - Port 1 & 3 Inline to 1/8" NPT Inline
MKHFN549A	MKH0NBG49A	Replacement Valve Difference, 1/4" Tube - Port 2; 1/8" NPT - Port 1 & 3 Inline to 1/8" NPT Inline
MKHFN553A	MKH0NBG53A	Replacement Valve Difference, 1/4" Tube - Port 2; 1/8" NPT - Port 1 & 3 Inline to 1/8" NPT Inline
MKHFN545A	MKH0NBH53A	Replacement Valve Difference, 1/4" Tube - Port 2; 1/8" NPT - Port 1 & 3 Inline to 1/8" NPT Inline
MKVVNC549A	MKVVNB549A	Replacement Valve Difference, Flush - Locking to Flush - Non-locking
MKE0NB549F0A	MKE0NB549A	Replacement Valve Difference, No Flow Control
MKE0NB553F0A	MKE0NB553A	Replacement Valve Difference, No Flow Control
MKE0NBG45F0A	MKE0NBG45A	Replacement Valve Difference, No Flow Control
MKE0NBG49F0A	MKE0NBG49A	Replacement Valve Difference, No Flow Control
MKE0NBG53F0A	MKE0NBG53A	Replacement Valve Difference, No Flow Control
MKE0NBG53V0A	MKE0NBG53A	Replacement Valve Difference, No Fluorocarbon Seals
MKEVNB549F0A	MKEVNB549A	Replacement Valve Difference, No Flow Control
MKEVNB553F0A	MKEVNB553A	Replacement Valve Difference, No Flow Control
MKEVNBG49F0A	MKEVNBG49A	Replacement Valve Difference, No Flow Control
MKH0NB542V0A	MKH0NB542A	Replacement Valve Difference, No Fluorocarbon Seals

## Cross Reference

Obsolete Part Number	Suggested Replacement	Difference of Suggested Replacement and / or Recommended Kits
MKH0NB549V0A	MKH0NB549A	Replacement Valve Difference, No Fluorocarbon Seals
MKH0NB549V2A	MKH0NB54902A	Replacement Valve Difference, No Fluorocarbon Seals
MKH0NBG49V0A	MKH0NBG49A	Replacement Valve Difference, No Fluorocarbon Seals
MKH0NBG53V0A	MKH0NBG53A	Replacement Valve Difference, No Fluorocarbon Seals
MKH0NBH53V0A	MKH0NBH53A	Replacement Valve Difference, No Fluorocarbon Seals
MKVVBG45V0A	MKVVBG45A	Replacement Valve Difference, No Fluorocarbon Seals
MKVVBG53V0A	MKVVBG53A	Replacement Valve Difference, No Fluorocarbon Seals
MKH0NCG45A	MKH0NBG45A	Replacement Valve Difference, Flush - Locking to Flush - Non-locking
MKH0NCG4902A	MKH0NBG4902A	Replacement Valve Difference, Flush - Locking to Flush - Non-locking
MKH3NCG47A	MKH0NBG47A	Replacement Valve Difference, 1/4" Tube - Port 1 & 2; 1/8" NPT - Port 3 Inline to 1/8" NPT Inline and Flush - Locking to Flush - Non-locking
MKH3NCG49A	MKH0NBG49A	Replacement Valve Difference, 1/4" Tube - Port 1 & 2; 1/8" NPT - Port 3 Inline to 1/8" NPT Inline and Flush - Locking to Flush - Non-locking
MKH3NCG4902A	MKH0NBG4902A	Replacement Valve Difference, 1/4" Tube - Port 1 & 2; 1/8" NPT - Port 3 Inline to 1/8" NPT Inline and Flush - Locking to Flush - Non-locking
MKH5NC549A	MKH5NB549A	Replacement Valve Difference, Flush - Locking to Flush - Non-locking
MKVVNCG45A	MKVVBG45A	Replacement Valve Difference, Flush - Locking to Flush - Non-locking
MKVVNCG47A	MKVVBG47A	Replacement Valve Difference, Flush - Locking to Flush - Non-locking
MKVVNCG49A	MKVVBG49A	Replacement Valve Difference, Flush - Locking to Flush - Non-locking
MKE0NAG45A	MKE0NBG45A	Replacement Valve Difference, No Override to Flush - Non-locking
MKE0NA549A	MKE0NB549A	Replacement Valve Difference, No Override to Flush - Non-locking
MKEVNC549A	MKEVNB549A	Replacement Valve Difference, Flush - Locking to Flush - Non-locking
MKE0NCG4902A	MKE0NBG4902A	Replacement Valve Difference, Flush - Locking to Flush - Non-locking
MKE0NC549A	MKE0NB549A	Replacement Valve Difference, Flush - Locking to Flush - Non-locking
MKE0NC54902A	MKE0NB54902A	Replacement Valve Difference, Flush - Locking to Flush - Non-locking
MKE0NC557A	MKE0NB557A	Replacement Valve Difference, Flush - Locking to Flush - Non-locking
MKE3NCG49A	MKE0NBG49A	Replacement Valve Difference, 1/4" Tube - Port 1, 2, & 4; 1/8" NPT - Port 3 Inline to 1/8" NPT Inline and Flush - Locking to Flush - Non-locking
MKE3NCG4902A	MKE0NBG4902A	Replacement Valve Difference, 1/4" Tube - Port 1, 2, & 4; 1/8" NPT - Port 3 Inline to 1/8" NPT Inline and Flush - Locking to Flush - Non-locking
MKE0NBQ53F0A	MKE0NBG53A	Replacement Valve Difference, Grommet / Flying Leads 72" to Grommet / Flying Leads 24" and No Flow Control
MKH0NBQ45A	MKH0NBG45A	Replacement Valve Difference, Grommet / Flying Leads 72" to Grommet / Flying Leads 24"
MKVVBQ45A	MKVVBG45A	Replacement Valve Difference, Grommet / Flying Leads 72" to Grommet / Flying Leads 24"
MKVVBQ49A	MKVVBG49A	Replacement Valve Difference, Grommet / Flying Leads 72" to Grommet / Flying Leads 24"
MKVVBQ53A	MKVVBG53A	Replacement Valve Difference, Grommet / Flying Leads 72" to Grommet / Flying Leads 24"
MKE0NBG57V0A	MKE0NBG57A	Replacement Valve Difference, No Fluorocarbon Seals
MKH0NAH49V0A	MKH0NBH49A	Replacement Valve Difference, No Override to Flush - Non-locking and No Fluorocarbon Seals
MKH0NBG42V0A	MKH0NBG42A	Replacement Valve Difference, No Fluorocarbon Seals
MKH0NBG45V0A	MKH0NBG45A	Replacement Valve Difference, No Fluorocarbon Seals
MKH0NBG47V0A	MKH0NBG47A	Replacement Valve Difference, No Fluorocarbon Seals
MKH0NBG57V0A	MKH0NBG57A	Replacement Valve Difference, No Fluorocarbon Seals
MKH0NB545V0A	MKH0NB545A	Replacement Valve Difference, No Fluorocarbon Seals
MKH0NB547V0A	MKH0NB547A	Replacement Valve Difference, No Fluorocarbon Seals
MKH0NB553V0A	MKH0NB553A	Replacement Valve Difference, No Fluorocarbon Seals
MKH5NB549V0A	MKH5NB549A	Replacement Valve Difference, No Fluorocarbon Seals
MKVVBG47V0A	MKVVBG47A	Replacement Valve Difference, No Fluorocarbon Seals
MKVVB549V0A	MKVVB549A	Replacement Valve Difference, No Fluorocarbon Seals
MKVVB553V0A	MKVVB553A	Replacement Valve Difference, No Fluorocarbon Seals
MKVVB557V0A	MKVVB557A	Replacement Valve Difference, No Fluorocarbon Seals
MKVVNC549V0A	MKVVB549A	Replacement Valve Difference, Flush - Locking to Flush - Non-locking and No Fluorocarbon Seals
MKWVBG45V0A	MKWVBG45A	Replacement Valve Difference, No Fluorocarbon Seals
MKWVB542V2A	MKWVB54202A	Replacement Valve Difference, No Fluorocarbon Seals
MKECNB549A	MKE0NB549A	Replacement Valve Difference, M5 Inline to 1/8" NPT Inline
MKECNB553A	MKE0NB553A	Replacement Valve Difference, M5 Inline to 1/8" NPT Inline
MKHCNBG45A	MKH0NBG45A	Replacement Valve Difference, M5 Inline to 1/8" NPT Inline

## Cross Reference

Obsolete Part Number	Suggested Replacement	Difference of Suggested Replacement and / or Recommended Kits
MKHCNBG47A	MKH0NBG47A	Replacement Valve Difference, M5 Inline to 1/8" NPT Inline
MKH6NBH53A Inline	MKH0NBH53A	Replacement Valve Difference, 1/4 NPT Tube - Port 2 & 3; 1/8" NPT - Port 1 Inline to 1/8" NPT
MKH6NB549A Inline	MKH0NB549A	Replacement Valve Difference, 1/4 NPT Tube - Port 2 & 3; 1/8" NPT - Port 1 Inline to 1/8" NPT
MKH6NB553A Inline	MKH0NB553A	Replacement Valve Difference, 1/4 NPT Tube - Port 2 & 3; 1/8" NPT - Port 1 Inline to 1/8" NPT
MKH7NBG49A	MKH5NBG49A	Replacement Valve Difference, 1/8" Bspt Inline to 1/8" BSPP
MKH7NBG53A	MKH5NBG53A	Replacement Valve Difference, 1/8" Bspt Inline to 1/8" BSPP
MKH7NB548A	MKH5NB548A	Replacement Valve Difference, 1/8" Bspt Inline to 1/8" BSPP
MKHDNBQ45A	MKH0NBG45A	Replacement Valve Difference, 1/4" Tube - Port 1, 2, & 3 Inline to 1/8" and Grommet / Flying Leads 72" to Grommet / Flying Leads 24"
MKHDNBQ49A	MKH0NBG49A	Replacement Valve Difference, 1/4" Tube - Port 1, 2, & 3 Inline to 1/8" and Grommet / Flying Leads 72" to Grommet / Flying Leads 24"
MKHDNBQ53A	MKH0NBG53A	Replacement Valve Difference, 1/4" Tube - Port 1, 2, & 3 Inline to 1/8" and Grommet / Flying Leads 72" to Grommet / Flying Leads 24"
MKHDNBH49A	MKH0NBH49A	Replacement Valve Difference, 1/4" Tube - Port 1, 2, & 3 Inline to 1/8"
MKHDNB553A	MKH0NB553A	Replacement Valve Difference, 1/4" Tube - Port 1, 2, & 3 Inline to 1/8"
MKHDNCG47A	MKH0NBG47A	Replacement Valve Difference, 1/4" Tube - Port 1, 2, & 3 Inline to 1/8" and Flush - Locking to Flush - Non-locking
MKHDNCG57A	MKH0NCG57A	Replacement Valve Difference, 1/4" Tube - Port 1, 2, & 3 Inline to 1/8"
MKHDNC557A	MKH0NC557A	Replacement Valve Difference, 1/4" Tube - Port 1, 2, & 3 Inline to 1/8"
MKEFNBG45F0A	MKE0NBG45A	Replacement Valve Difference, 1/4" Tube - Port 2 & 4, 1/8 NPT - Port 1 & 3 to 1/8" NPT Inline and No Flow Control
MKEFNBG49F0A	MKE0NBG49A	Replacement Valve Difference, 1/4" Tube - Port 2 & 4, 1/8 NPT - Port 1 & 3 to 1/8" NPT Inline and No Flow Control
MKEFNBG53F0A	MKE0NBG53A	Replacement Valve Difference, 1/4" Tube - Port 2 & 4, 1/8 NPT - Port 1 & 3 to 1/8" NPT Inline and No Flow Control
MKEFNBH45F0A	MKE0NBH45A	Replacement Valve Difference, 1/4" Tube - Port 2 & 4, 1/8 NPT - Port 1 & 3 to 1/8" NPT Inline and No Flow Control
MKEFNBH49F0A	MKE0NBH49A	Replacement Valve Difference, 1/4" Tube - Port 2 & 4, 1/8 NPT - Port 1 & 3 to 1/8" NPT Inline and No Flow Control
MKEFNBH53F0A	MKE0NBH53A	Replacement Valve Difference, 1/4" Tube - Port 2 & 4, 1/8 NPT - Port 1 & 3 to 1/8" NPT Inline and No Flow Control
MKEFNB545F0A	MKE0NB545A	Replacement Valve Difference, 1/4" Tube - Port 2 & 4, 1/8 NPT - Port 1 & 3 to 1/8" NPT Inline and No Flow Control
MKEFNB549F0A	MKE0NB549A	Replacement Valve Difference, 1/4" Tube - Port 2 & 4, 1/8 NPT - Port 1 & 3 to 1/8" NPT Inline and No Flow Control
MKEFNB553F0A	MKE0NB553A	Replacement Valve Difference, 1/4" Tube - Port 2 & 4, 1/8 NPT - Port 1 & 3 to 1/8" NPT Inline and No Flow Control
MKHFNAG47V0A	MKH0NAG47A	Replacement Valve Difference, 1/4" Tube - Port 1 & 2; 1/8" NPT - Port 3 Inline to 1/8" NPT Inline and No Fluorocarbon Seals
MKEFNBG42A	MKE0NBG42A	Replacement Valve Difference, 1/4" Tube - Port 2 & 4, 1/8 NPT - Port 1 & 3 to 1/8" NPT Inline
MKEFNBG49A	MKE0NBG49A	Replacement Valve Difference, 1/4" Tube - Port 2 & 4, 1/8 NPT - Port 1 & 3 to 1/8" NPT Inline
MKEFNBG53A	MKE0NBG53A	Replacement Valve Difference, 1/4" Tube - Port 2 & 4, 1/8 NPT - Port 1 & 3 to 1/8" NPT Inline
MKEFNBH45A	MKE0NBH45A	Replacement Valve Difference, 1/4" Tube - Port 2 & 4, 1/8 NPT - Port 1 & 3 to 1/8" NPT Inline
MKEFNB542A	MKE0NB542A	Replacement Valve Difference, 1/4" Tube - Port 2 & 4, 1/8 NPT - Port 1 & 3 to 1/8" NPT Inline
MKEFNB545A	MKE0NB545A	Replacement Valve Difference, 1/4" Tube - Port 2 & 4, 1/8 NPT - Port 1 & 3 to 1/8" NPT Inline
MKEFNB553A	MKE0NB553A	Replacement Valve Difference, 1/4" Tube - Port 2 & 4, 1/8 NPT - Port 1 & 3 to 1/8" NPT Inline
MKHFNBG4502A	MKH0NBG4502A	Replacement Valve Difference, 1/4" Tube - Port 1 & 2; 1/8" NPT - Port 3 Inline to 1/8" NPT Inline
MKHFNBG47A	MKH0NBG47A	Replacement Valve Difference, 1/4" Tube - Port 1 & 2; 1/8" NPT - Port 3 Inline to 1/8" NPT Inline
MKHFNBG4902A	MKH0NBG4902A	Replacement Valve Difference, 1/4" Tube - Port 1 & 2; 1/8" NPT - Port 3 Inline to 1/8" NPT Inline
MKHFNBG5302A	MKH0NBG5302A	Replacement Valve Difference, 1/4" Tube - Port 1 & 2; 1/8" NPT - Port 3 Inline to 1/8" NPT Inline
MKHFNBH45A	MKH0NBH45A	Replacement Valve Difference, 1/4" Tube - Port 1 & 2; 1/8" NPT - Port 3 Inline to 1/8" NPT Inline
MKHFNBH49A	MKH0NBH49A	Replacement Valve Difference, 1/4" Tube - Port 1 & 2; 1/8" NPT - Port 3 Inline to 1/8" NPT Inline
MKHFNB54502A	MKH0NB54502A	Replacement Valve Difference, 1/4" Tube - Port 1 & 2; 1/8" NPT - Port 3 Inline to 1/8" NPT Inline
MKHFNB54902A	MKH0NB54902A	Replacement Valve Difference, 1/4" Tube - Port 1 & 2; 1/8" NPT - Port 3 Inline to 1/8" NPT Inline
MKHFNB55302A	MKH0NB55302A	Replacement Valve Difference, 1/4" Tube - Port 1 & 2; 1/8" NPT - Port 3 Inline to 1/8" NPT Inline
MKHFNCG53A	MKH0NCG53A	Replacement Valve Difference, 1/4" Tube - Port 1 & 2; 1/8" NPT - Port 3 Inline to 1/8" NPT Inline

**Cross Reference**

<b>Obsolete Part Number</b>	<b>Suggested Replacement</b>	<b>Difference of Suggested Replacement and / or Recommended Kits</b>
MKEVNBG45F0A	MKEVNBG45A	Replacement Valve Difference, No Flow Control
MKEVNBG53F0A	MKEVNBG53A	Replacement Valve Difference, No Flow Control
MKEVNBH49F0A	MKEVNBH49A	Replacement Valve Difference, No Flow Control
MKEVNB545F0A	MKEVNB545A	Replacement Valve Difference, No Flow Control
MKE0NBG49F2A	MKE0NBG4902A	Replacement Valve Difference, No Flow Control
MKE0NBH45F0A	MKE0NBH45A	Replacement Valve Difference, No Flow Control
MKE0NBH49F0A	MKE0NBH49A	Replacement Valve Difference, No Flow Control
MKE0NBH49F2A	MKE0NBH4902A	Replacement Valve Difference, No Flow Control
MKE0NBH53F0A	MKE0NBH53A	Replacement Valve Difference, No Flow Control
MKE0NB545F0A	MKE0NB545A	Replacement Valve Difference, No Flow Control
MKE0NB553FVA	MKE0NB553A	Replacement Valve Difference, No Flow Control and No Fluorocarbon Seals
MKE3NBG49F0A	MKE0NBG49A	Replacement Valve Difference, 1/4" Tube - Port 1, 2, & 4; 1/8" NPT - Port 3 Inline to 1/8" NPT Inline and No Flow Control

The items described in this document and other documents or descriptions provided by Parker Hannifin Corporation, its subsidiaries and its authorized distributors, are hereby offered for sale at prices to be established by Parker Hannifin Corporation, its subsidiaries and its authorized distributors. This offer and its acceptance by any customer ("Buyer") shall be governed by all of the following Terms and Conditions. Buyer's order for any such item, when communicated to Parker Hannifin Corporation, its subsidiaries or an authorized distributor ("Seller") verbally or in writing, shall constitute acceptance of this offer.

1. **Terms and Conditions of Sale:** All descriptions, quotations, proposals, offers, acknowledgments, acceptances and sales of Seller's products are subject to and shall be governed exclusively by the terms and conditions stated herein. Buyer's acceptance of any offer to sell is limited to these terms and conditions. Any terms or conditions in addition to, or inconsistent with those stated herein, proposed by Buyer in any acceptance of an offer by Seller, are hereby objected to. No such additional, different or inconsistent terms and conditions shall become part of the contract between Buyer and Seller unless expressly accepted in writing by Seller. Seller's acceptance of any offer to purchase by Buyer is expressly conditional upon Buyer's assent to all the terms and conditions stated herein, including any terms in addition to, or inconsistent with those contained in Buyer's offer. Acceptance of Seller's products shall in all events constitute such assent.

2. **Payment:** Payment shall be made by Buyer net 30 days from the date of delivery of the items purchased hereunder. Amounts not timely paid shall bear interest at the maximum rate permitted by law for each month or portion thereof that the Buyer is late in making payment. Any claims by Buyer for omissions or shortages in a shipment shall be waived unless Seller receives notice thereof within 30 days after Buyer's receipt of the shipment.

3. **Delivery:** Unless otherwise provided on the face hereof, delivery shall be made F.O.B. Seller's plant. Regardless of the method of delivery, however, risk of loss shall pass to Buyer upon Seller's delivery to a carrier. Any delivery dates shown are approximate only and Seller shall have no liability for any delays in delivery.

4. **Warranty:** Seller warrants that the items sold hereunder shall be free from defects in material or workmanship for a period of 18 months from date of shipment from Parker Hannifin Corporation. THIS WARRANTY COMPRISES THE SOLE AND ENTIRE WARRANTY PERTAINING TO ITEMS PROVIDED HEREUNDER. SELLER MAKES NO OTHER WARRANTY, GUARANTEE, OR REPRESENTATION OF ANY KIND WHATSOEVER. ALL OTHER WARRANTIES, INCLUDING BUT NOT LIMITED TO, MERCHANTABILITY AND FITNESS FOR PURPOSE, WHETHER EXPRESS, IMPLIED, OR ARISING BY OPERATION OF LAW, TRADE USAGE, OR COURSE OF DEALING ARE HEREBY DISCLAIMED.

NOTWITHSTANDING THE FOREGOING, THERE ARE NO WARRANTIES WHATSOEVER ON ITEMS BUILT OR ACQUIRED WHOLLY OR PARTIALLY, TO BUYER'S DESIGN OR SPECIFICATIONS.

5. **Limitation of Remedy:** SELLER'S LIABILITY ARISING FROM OR IN ANY WAY CONNECTED WITH THE ITEMS SOLD OR THIS CONTRACT SHALL BE LIMITED EXCLUSIVELY TO REPAIR OR REPLACEMENT OF THE ITEMS SOLD OR REFUND OF THE PURCHASE PRICE PAID BY BUYER, AT SELLER'S SOLE OPTION. IN NO EVENT SHALL SELLER BE LIABLE FOR ANY INCIDENTAL, CONSEQUENTIAL OR SPECIAL DAMAGES OF ANY KIND OR NATURE WHATSOEVER, INCLUDING BUT NOT LIMITED TO LOST PROFITS ARISING FROM OR IN ANY WAY CONNECTED WITH THIS AGREEMENT OR ITEMS SOLD HEREUNDER, WHETHER ALLEGED TO ARISE FROM BREACH OF CONTRACT, EXPRESS OR IMPLIED WARRANTY, OR IN TORT, INCLUDING WITHOUT LIMITATION, NEGLIGENCE, FAILURE TO WARN OR STRICT LIABILITY.

6. **Changes, Reschedules and Cancellations:** Buyer may request to modify the designs or specifications for the items sold hereunder as well as the quantities and delivery dates thereof, or may request to cancel all or part of this order, however, no such requested modification or cancellation shall become part of the contract between Buyer and Seller unless accepted by Seller in a written amendment to this Agreement. Acceptance of any such requested modification or cancellation shall be at Seller's discretion, and shall be upon such terms and conditions as Seller may require.

7. **Special Tooling:** A tooling charge may be imposed for any special tooling, including without limitations, dies, fixtures, molds and patterns, acquired to manufacture items sold pursuant to this contract. Such special tooling shall be and remain Seller's property notwithstanding payment of any charges by Buyer. In no event will Buyer acquire any interest in apparatus belonging to Seller which is utilized in the manufacture of the items sold hereunder, even if such apparatus has been specially converted or adapted for such manufacture and notwithstanding any

charges paid by Buyer. Unless otherwise agreed, Seller shall have the right to alter, discard or otherwise dispose of any special tooling or other property in its sole discretion at any time.

8. **Buyer's Property:** Any designs, tools, patterns, materials, drawings, confidential information or equipment furnished by Buyer, or any other items which become Buyer's property, may be considered obsolete and may be destroyed by Seller after two (2) consecutive years have elapsed without Buyer placing an order for the items which are manufactured using such property. Seller shall not be responsible for any loss or damage to such property while it is in Seller's possession or control.

9. **Taxes:** Unless otherwise indicated on the face hereof, all prices and charges are exclusive of excise, sales, use, property, occupational or like taxes which may be imposed by any taxing authority upon the manufacture, sale or delivery of the items sold hereunder. If any such taxes must be paid by Seller or if Seller is liable for the collection of such tax, the amount thereof shall be in addition to the amounts for the items sold. Buyer agrees to pay all such taxes or to reimburse Seller therefore upon receipt of its invoice. If Buyer claims exemption from any sales, use or other tax imposed by any taxing authority, Buyer shall save Seller harmless from and against any such tax, together with any interest or penalties thereon which may be assessed if the items are held to be taxable.

10. **Indemnity For Infringement of Intellectual Property Rights:** Seller shall have no liability for infringement of any patents, trademarks, copyrights, trade dress, trade secrets or similar rights except as provided in this Part 10. Seller will defend and indemnify Buyer against allegations of infringement of U.S. patents, U.S. trademarks, copyrights, trade dress and trade secrets (hereinafter "Intellectual Property Rights"). Seller will defend at its expense and will pay the cost of any settlement or damages awarded in an action brought against Buyer based on an allegation that an item sold pursuant to this contract infringes the Intellectual Property Rights of a third party. Seller's obligation to defend and indemnify Buyer is contingent on Buyer notifying Seller within ten (10) days after Buyer becomes aware of such allegations of infringement, and Seller having sole control over the defense of any allegations or actions including all negotiations for settlement or compromise. If an item sold hereunder is subject to a claim that it infringes the Intellectual Property Rights of a third party, Seller may, at its sole expense and option, procure for Buyer the right to continue using said item, replace or modify said item so as to make it noninfringing, or offer to accept return of said item and return the purchase price less a reasonable allowance for depreciation. Notwithstanding the foregoing, Seller shall have no liability for claims of infringement based on information provided by Buyer, or directed to items delivered hereunder for which the designs are specified in whole or part by Buyer, or infringements resulting from the modification, combination or use in a system of any item sold hereunder. The foregoing provisions of this Part 10 shall constitute Seller's sole and exclusive liability and Buyer's sole and exclusive remedy for infringement of Intellectual Property Rights.

If a claim is based on information provided by Buyer or if the design for an item delivered hereunder is specified in whole or in part by Buyer, Buyer shall defend and indemnify Seller for all costs, expenses or judgments resulting from any claim that such item infringes any patent, trademark, copyright, trade dress, trade secret or any similar right.

11. **Force Majeure:** Seller does not assume the risk of and shall not be liable for delay or failure to perform any of Seller's obligations by reason of circumstances beyond the reasonable control of Seller (hereinafter "Events of Force Majeure"). Events of Force Majeure shall include without limitation, accidents, acts of God, strikes or labor disputes, acts, laws, rules or regulations of any government or government agency, fires, floods, delays or failures in delivery of carriers or suppliers, shortages of materials and any other cause beyond Seller's control.

12. **Entire Agreement/Governing Law:** The terms and conditions set forth herein, together with any amendments, modifications and any different terms or conditions expressly accepted by Seller in writing, shall constitute the entire Agreement concerning the items sold, and there are no oral or other representations or agreements which pertain thereto. This Agreement shall be governed in all respects by the law of the State of Ohio. No actions arising out of sale of the items sold hereunder or this Agreement may be brought by either party more than two (2) years after the cause of action accrues.



**Parker Hannifin Corporation**  
Pneumatic Division  
8676 E. M89  
P.O. Box 901  
Richland, MI 49083 USA  
Tel: (269) 629-5000  
Fax: (269) 629-5385

Customer/Technical Service

Tel: (269) 629-5575  
Fax: (269) 629-5385  
Website: [www.parker.com/pneumatic](http://www.parker.com/pneumatic)  
E-mail: [PDNMKTG@parker.com](mailto:PDNMKTG@parker.com)