



## ***DC to DC Converter***

***This versatile DC to DC converter is ideal for battery powered applications when you need 24 VDC for your equipment.***

- ***Input: 11 to 15 vdc***
- ***Output: 24 vdc, 3 amps***
- ***Temperature Range: -10 to 45 C***
- ***Protection: Overload, over-current, over and under voltage***
- ***Efficiency: >90%***
- ***Epoxy sealed enclosure***
- ***Size: 2.6 x 2.3 x 0.9 inches***
- ***Weight: 5 oz. (approx.)***

***Part Number: PSDC1224-72***



## Other Versions



### **PSDC12245-25**

- **12/24 to 5 VDC**
- **5 Amp, 25 Watt Output**
- **Size: 2.9 x 2.8 x 1.1**

### **PSDC2412-60**

- **24 to 12 VDC**
- **5 Amp output, 60 Watt Output**
- **Size: 2.6 x 2.3 x 0.9**

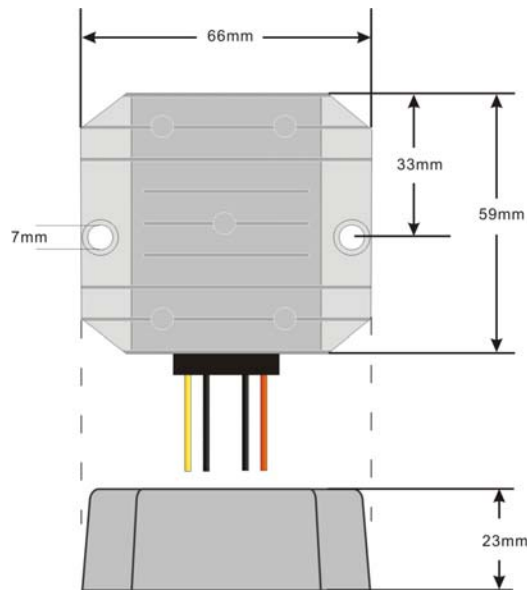
### **PSDC8-40/12-72**

- **8-40 vdc input, 12 VDC output**
- **6 Amp, 72 Watt Output**
- **Size: 3.1 x 2.8 x 1.1**

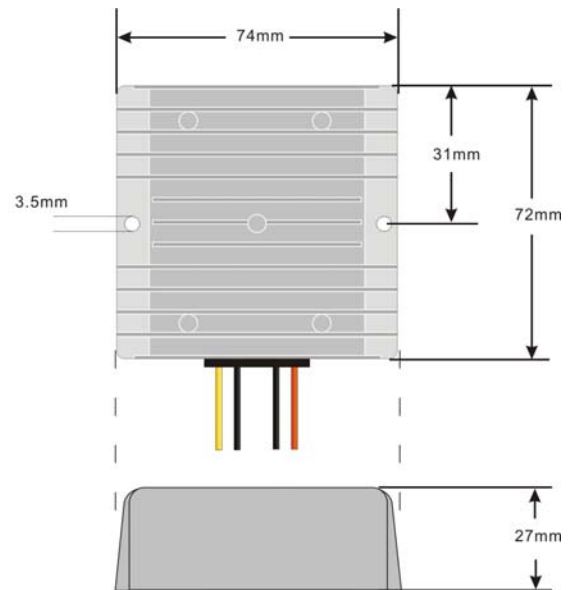
### **Common Specifications**

- **Full-load Efficiency: >90 %**
- **Ripple p-p: 1 % of Output Voltage**
- **Load Regulation: 1.5 %**
- **No-load Power Consumption: 0.5 % of Rated Power**
- **Over-load Protection: +10 % of Rated Output Current**
- **Non-isolated**
- **Operating Temperature: -10 to 45 C**

### Dimensions:



Small Case



Big Case