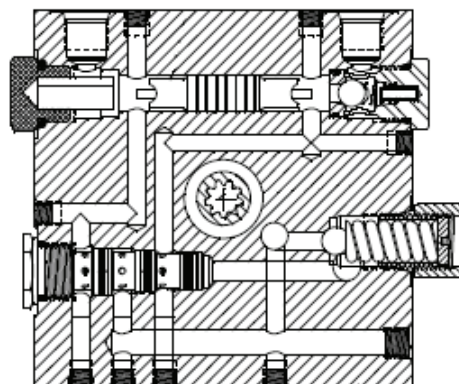
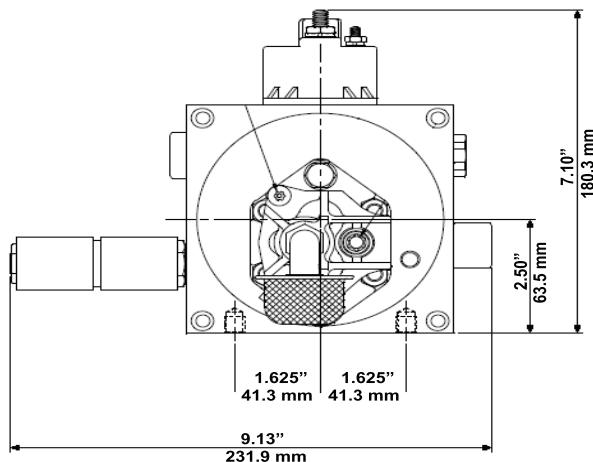
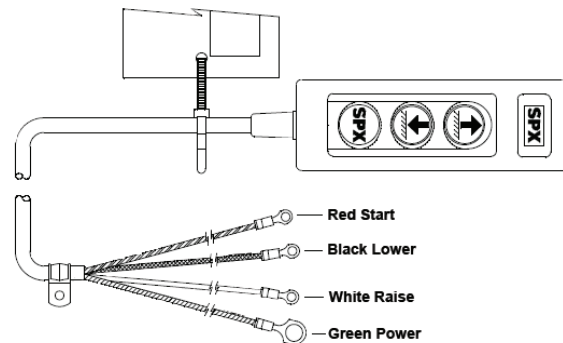
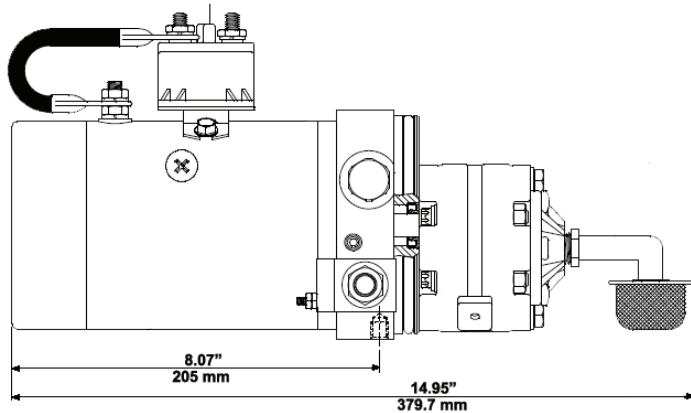


12V DC SOLENOID OPERATED POWER UP/POWER DOWN

This unit is for power up-hold-power down applications. The controller allows an operator to power the unit in both directions. In the off position, the unit holds steady. Features include an adjustable relief valve & load-holding P.O. check valve.



ENDHEAD SECTION

POWER UNITS

UNIT SPECIFICATION		HYDRAULIC CIRCUIT
Motor	12V DC 1 Terminal Std. Duty Corrosion Resistant Plate Finish	
Pump	AFC 2.0 CC/Rev Cu. In/Rev.)	
Relief	Adj. Set At 2500 PSI (172.4 Bar)	
Endhead	9/16 - 18 SAE ORB Ports "A" & "B" (2) 3/8-16 X .38 Deep Mtg. Hole	
Tank	None	
Valving	3P4W Solenoid Operated Valve W/Single PO Check Valve On Port "B"	
Wiring	12V DC To Start Switch & To U-Valve Solenoids	