

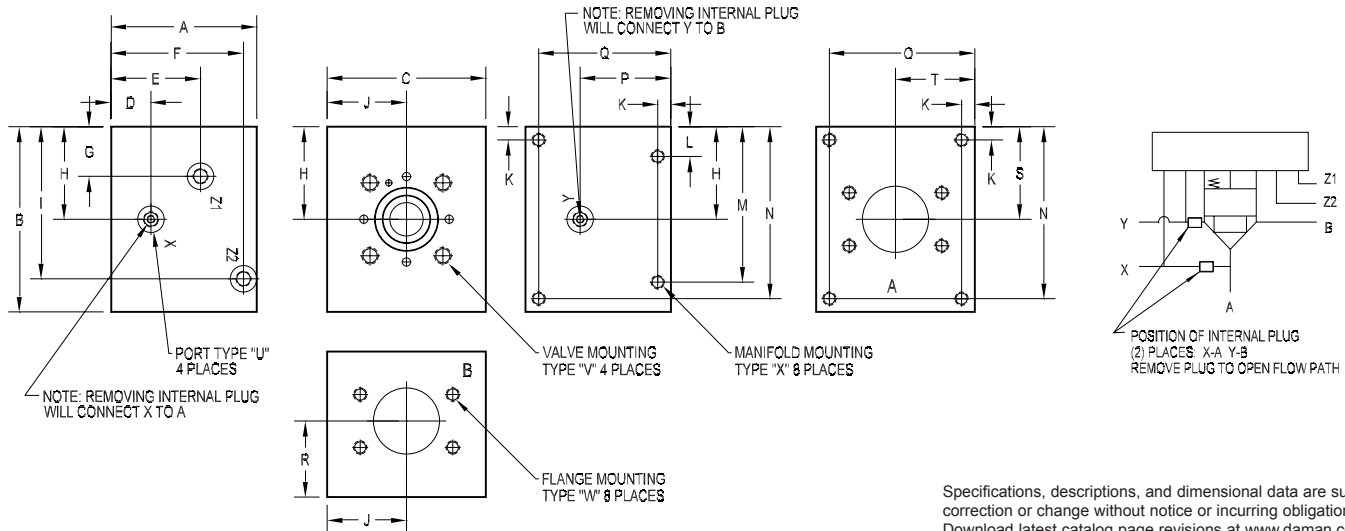
Hydraulic Valve Manifolds Better System Design Begins with a Manifold.

DIN CARTRIDGE VALVE BODIES

(ISO) 7368 • DIN 24342 • NFPA T3.5.45 STANDARDS)

| | |
|------------------------|----------|
| 16mm Body • XA Circuit | Page 166 |
| 16mm Body • XB Circuit | Page 167 |
| 25mm Body • XA Circuit | Page 168 |
| 25mm Body • XB Circuit | Page 169 |
| 32mm Body • XA Circuit | Page 170 |
| 32mm Body • XB Circuit | Page 171 |
| 40mm Body • XA Circuit | Page 172 |
| 40mm Body • XB Circuit | Page 173 |
| 50mm Body • XA Circuit | Page 174 |
| 50mm Body • XB Circuit | Page 175 |
| 63mm Body • XA Circuit | Page 176 |
| 63mm Body • XB Circuit | Page 177 |

16mm Body • XA Circuit

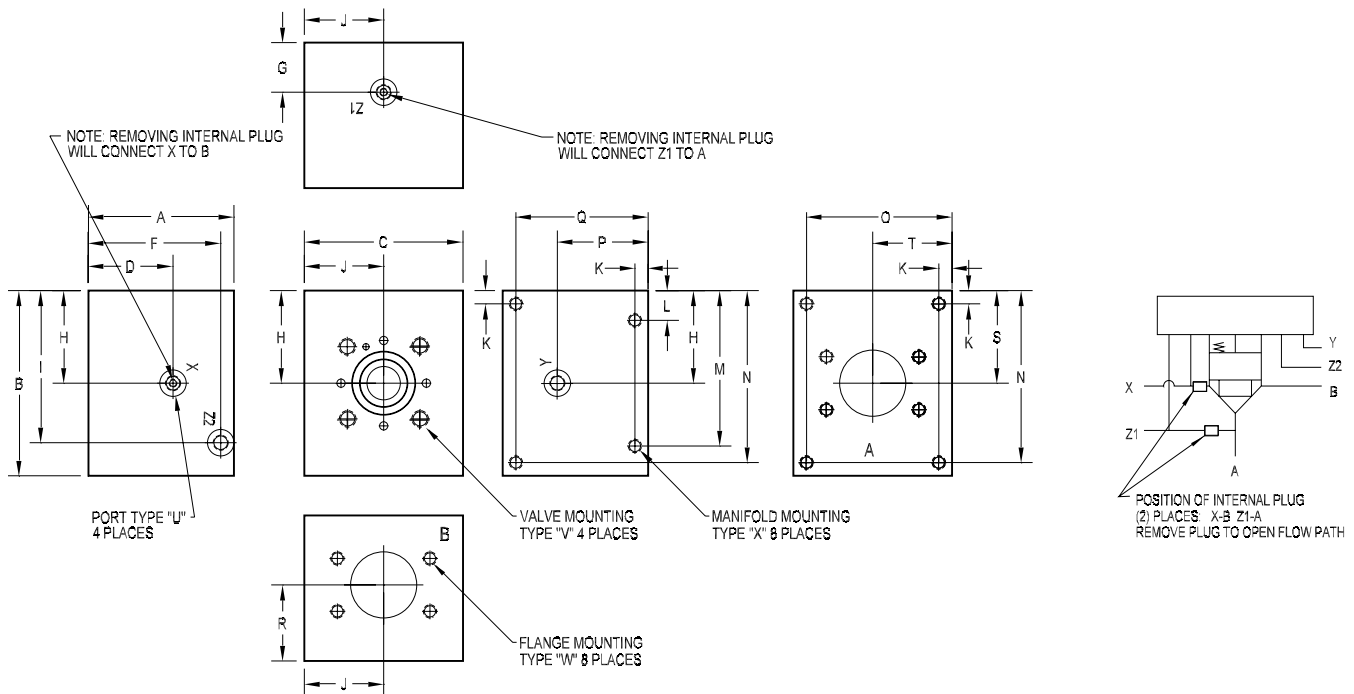


Specifications, descriptions, and dimensional data are subject to correction or change without notice or incurring obligation. Download latest catalog page revisions at www.daman.com.

| PART NO. | A | B | C | D | E | F | G | H | I | J | K | L | M | N | O | P |
|-------------|---------|---------|---------|--------|--------|--------|--------|--------|--------|--------|-------|--------|--------|---------|--------|--------|
| *16XA16F61 | 3.50 | 4.00 | 3.00 | 1.00 | 1.56 | 2.00 | 0.75 | 1.63 | 2.63 | 1.50 | 0.31 | 0.69 | 3.31 | 3.69 | 2.69 | 2.14 |
| *16XA16F61M | [88.9] | [101.6] | [76.2] | [25.4] | [39.7] | [50.8] | [19.1] | [41.3] | [66.7] | [38.1] | [7.9] | [17.5] | [84.1] | [93.7] | [68.3] | [54.3] |
| *16XB16F61 | 3.50 | 4.00 | 3.00 | 2.14 | -- | 2.00 | 1.00 | 1.63 | 2.63 | 1.50 | 0.31 | 0.69 | 3.31 | 3.69 | 2.69 | 2.14 |
| *16XB16F61M | [88.9] | [101.6] | [76.2] | [54.3] | -- | [50.8] | [25.4] | [41.3] | [66.7] | [38.1] | [7.9] | [17.5] | [84.1] | [93.7] | [68.3] | [54.3] |
| D16XA16F62 | 3.50 | 4.25 | 3.50 | 1.00 | 1.56 | 2.00 | 0.88 | 1.88 | 2.88 | 1.75 | 0.31 | 0.69 | 3.56 | 3.94 | 3.19 | 2.14 |
| D16XA16F62M | [88.9] | [108.0] | [88.9] | [25.4] | [39.7] | [50.8] | [22.2] | [47.6] | [73.0] | [44.5] | [7.9] | [17.5] | [90.5] | [100.0] | [81.0] | [54.3] |
| D16XB16F62 | 3.50 | 4.25 | 3.50 | 2.14 | -- | 2.00 | 1.00 | 1.88 | 2.88 | 1.75 | 0.31 | 0.69 | 3.56 | 3.94 | 3.19 | 2.14 |
| D16XB16F62M | [88.9] | [108.0] | [88.9] | [54.3] | -- | [50.8] | [25.4] | [47.6] | [73.0] | [44.5] | [7.9] | [17.5] | [90.5] | [100.0] | [81.0] | [54.3] |
| *16XA20F61 | 3.50 | 4.00 | 3.50 | 1.00 | 2.14 | 2.14 | 0.63 | 1.63 | 2.63 | 1.75 | 0.31 | 0.66 | 3.34 | 3.69 | 3.19 | 2.14 |
| *16XA20F61M | [88.9] | [101.6] | [88.9] | [25.4] | [54.3] | [54.3] | [15.9] | [41.3] | [66.7] | [44.5] | [7.9] | [16.7] | [84.9] | [93.6] | [81.0] | [54.3] |
| *16XB20F61 | 3.50 | 4.00 | 3.50 | 2.14 | -- | 2.14 | 1.00 | 1.63 | 2.63 | 1.75 | 0.31 | 0.66 | 3.34 | 3.69 | 3.19 | 2.14 |
| *16XB20F61M | [88.9] | [101.6] | [88.9] | [54.3] | -- | [54.3] | [25.4] | [41.3] | [66.7] | [44.5] | [7.9] | [16.7] | [84.9] | [93.6] | [81.0] | [54.3] |
| D16XA20F62 | 4.00 | 4.50 | 4.00 | 1.50 | 2.64 | 2.50 | 1.13 | 2.13 | 3.13 | 2.00 | 0.38 | 0.88 | 3.63 | 4.13 | 3.63 | 2.64 |
| D16XA20F62M | [101.6] | [114.3] | [101.6] | [38.1] | [67.1] | [63.5] | [28.6] | [54.0] | [79.4] | [50.8] | [9.5] | [22.2] | [92.1] | [104.8] | [92.1] | [67.1] |
| D16XB20F62 | 4.00 | 4.50 | 4.00 | 2.64 | -- | 2.50 | 1.50 | 2.13 | 3.13 | 2.00 | 0.38 | 0.88 | 3.63 | 4.13 | 3.63 | 2.64 |
| D16XB20F62M | [101.6] | [114.3] | [101.6] | [67.1] | -- | [63.5] | [38.1] | [54.0] | [79.4] | [50.8] | [9.5] | [22.2] | [92.1] | [104.8] | [92.1] | [67.1] |

| PART NO. | Q | R | S | T | U pilot port size | V valve mounting | W flange mounting | X manifold mounting |
|-------------|--------|--------|--------|--------|-------------------|---------------------|----------------------|----------------------|
| *16XA16F61 | 3.19 | 2.14 | 1.63 | 1.50 | SAE #4 | 0.31 UNC x 0.88 DP | 0.38 UNC x 0.88 DP | 0.31 UNC x 0.63 DP |
| *16XA16F61M | [81.0] | [54.3] | [41.3] | [38.1] | ISO 6149 M10 | M8 ISO 6H x [22] DP | M10 ISO 6H x [22] DP | M8 ISO 6H x [16] DP |
| *16XB16F61 | 3.19 | 2.14 | 1.63 | 1.50 | SAE #4 | 0.31 UNC x 0.88 DP | 0.38 UNC x 0.88 DP | 0.31 UNC x 0.63 DP |
| *16XB16F61M | [81.0] | [54.3] | [41.3] | [38.1] | ISO 6149 M10 | M8 ISO 6H x [22] DP | M10 ISO 6H x [22] DP | M8 ISO 6H x [16] DP |
| D16XA16F62 | 3.19 | 2.00 | 1.88 | 1.75 | SAE #4 | 0.31 UNC x 0.88 DP | 0.44 UNC x 1.12 DP | 0.31 UNC x 0.63 DP |
| D16XA16F62M | [81.0] | [50.8] | [47.6] | [44.5] | ISO 6149 M10 | M8 ISO 6H x [22] DP | M10 ISO 6H x [28] DP | M8 ISO 6H x [16] DP |
| D16XB16F62 | 3.19 | 2.00 | 1.88 | 1.75 | SAE #4 | 0.31 UNC x 0.88 DP | 0.44 UNC x 1.12 DP | 0.31 UNC x 0.63 DP |
| D16XB16F62M | [81.0] | [50.8] | [47.6] | [44.5] | ISO 6149 M10 | M8 ISO 6H x [22] DP | M10 ISO 6H x [28] DP | M8 ISO 6H x [16] DP |
| *16XA20F61 | 3.19 | 2.14 | 1.67 | 1.75 | SAE #4 | 0.31 UNC x 0.88 DP | 0.44 UNC x 1.12 DP | 0.31 UNC x 0.63 DP |
| *16XA20F61M | [81.0] | [54.3] | [42.5] | [44.5] | ISO 6149 M10 | M8 ISO 6H x [22] DP | M10 ISO 6H x [28] DP | M8 ISO 6H x [16] DP |
| *16XB20F61 | 3.19 | 2.14 | 1.67 | 1.75 | SAE #4 | 0.31 UNC x 0.88 DP | 0.44 UNC x 1.12 DP | 0.31 UNC x 0.63 DP |
| *16XB20F61M | [81.0] | [54.3] | [42.5] | [44.5] | ISO 6149 M10 | M8 ISO 6H x [22] DP | M10 ISO 6H x [28] DP | M8 ISO 6H x [16] DP |
| D16XA20F62 | 3.63 | 2.47 | 2.13 | 2.00 | SAE #4 | 0.31 UNC x 0.88 DP | 0.50 UNC x 1.19 DP | 0.38 UNC x 1.00 DP |
| D16XA20F62M | [92.1] | [62.7] | [54.0] | [50.8] | ISO 6149 M10 | M8 ISO 6H x [22] DP | M12 ISO 6H x [30] DP | M10 ISO 6H x [25] DP |
| D16XB20F62 | 3.63 | 2.47 | 2.13 | 2.00 | SAE #4 | 0.31 UNC x 0.88 DP | 0.50 UNC x 1.19 DP | 0.38 UNC x 1.00 DP |
| D16XB20F62M | [92.1] | [62.7] | [54.0] | [50.8] | ISO 6149 M10 | M8 ISO 6H x [22] DP | M12 ISO 6H x [30] DP | M10 ISO 6H x [25] DP |

16mm Body • XB Circuit

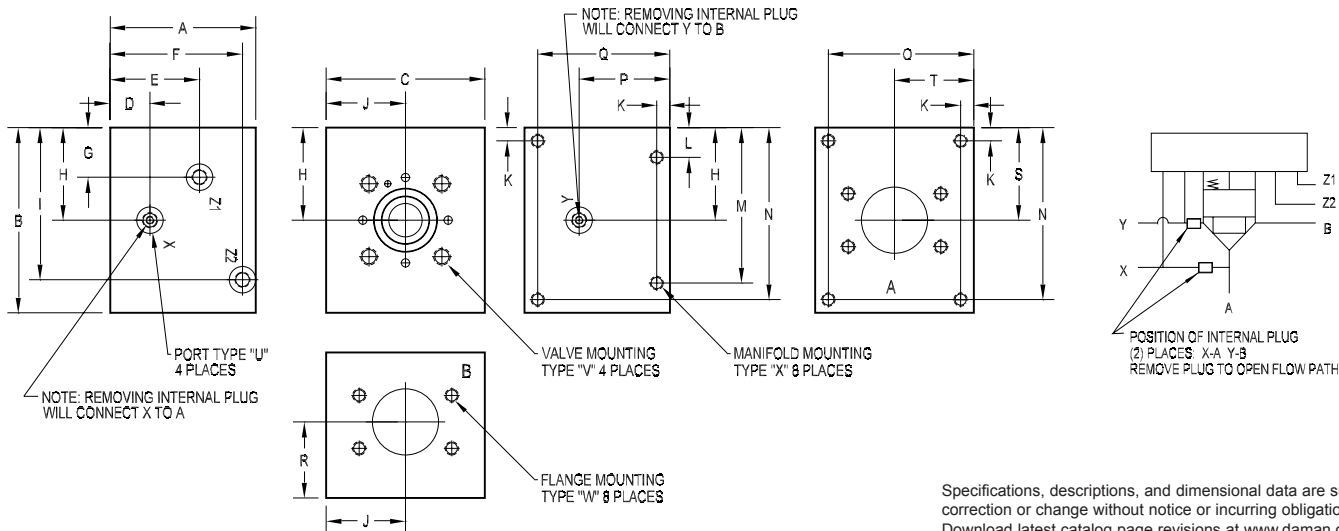


Specifications, descriptions, and dimensional data are subject to correction or change without notice or incurring obligation. Download latest catalog page revisions at www.daman.com.

Ordering Information

| Material | Valve Cavity | Pilot Circuit | A & B Port Size | Flange Rating | Thread Type | | | | | | | | | | | | | | | | | | | | | | | | | | | | | | | | | | | | | | | | | | |
|---|--|---------------|-----------------|--|-------------|--|--|--|--|--------------|--|-----------|--|--|---------------|--|-----------|--------------------------------|-----------|---------------------------------|---|--|---|-----------------|--|------------|--|------------|--|--|---------------|--|---------------------|--|-----------|---|--------------|--|-----------|---|--|-------------|--|-------------|----------------------|----------|------------------------|
| <table border="1"> <thead> <tr> <th colspan="2">Material</th> </tr> </thead> <tbody> <tr> <td>A</td> <td>Aluminum - 6061-T6 3000[†] psi • 20.7 MPa</td> </tr> <tr> <td>D</td> <td>Ductile Iron - D4512 5000[†] psi • 34.5 MPa</td> </tr> <tr> <td colspan="2">[†] Working pressure should be considered in accordance with ISO 4413 to determine appropriate material type.</td> </tr> </tbody> </table> | Material | | A | Aluminum - 6061-T6 3000 [†] psi • 20.7 MPa | D | Ductile Iron - D4512 5000 [†] psi • 34.5 MPa | [†] Working pressure should be considered in accordance with ISO 4413 to determine appropriate material type. | | <table border="1"> <thead> <tr> <th colspan="2">Valve Cavity</th> </tr> </thead> <tbody> <tr> <td>16</td> <td>DIN 24342 - 16mm ISO 7368-06-01 (Standard currently under revision) NFPA T3.5.45-BA-06-2-A</td> </tr> </tbody> </table> | Valve Cavity | | 16 | DIN 24342 - 16mm ISO 7368-06-01 (Standard currently under revision) NFPA T3.5.45-BA-06-2-A | <table border="1"> <thead> <tr> <th colspan="2">Pilot Circuit</th> </tr> </thead> <tbody> <tr> <td>XA</td> <td>X common to A Y common to B</td> </tr> <tr> <td>XB</td> <td>X common to B Z1 common to A</td> </tr> <tr> <td colspan="2">These connections are furnished plugged (external pilot ports). Remove plugs for internal pilot ports. See circuit diagram.</td> </tr> </tbody> </table> | Pilot Circuit | | XA | X common to A Y common to B | XB | X common to B Z1 common to A | These connections are furnished plugged (external pilot ports). Remove plugs for internal pilot ports. See circuit diagram. | | <table border="1"> <thead> <tr> <th colspan="2">A & B Port Size</th> </tr> </thead> <tbody> <tr> <td>16F</td> <td>ISO 6162 - DN25 Split Flange SAE Size 16 (1.00") Flange</td> </tr> <tr> <td>20F</td> <td>ISO 6162 - DN32 Split Flange SAE Size 20 (1.25") Flange</td> </tr> </tbody> </table> | A & B Port Size | | 16F | ISO 6162 - DN25 Split Flange SAE Size 16 (1.00") Flange | 20F | ISO 6162 - DN32 Split Flange SAE Size 20 (1.25") Flange | <table border="1"> <thead> <tr> <th colspan="2">Flange Rating</th> </tr> </thead> <tbody> <tr> <td colspan="2">Aluminum or Ductile</td> </tr> <tr> <td>61</td> <td>ISO 6162 - 2.5 to 35 MPa SAE code 61</td> </tr> <tr> <td colspan="2">Ductile only</td> </tr> <tr> <td>62</td> <td>ISO 6162 - 40 MPa series SAE code 62</td> </tr> </tbody> </table> | Flange Rating | | Aluminum or Ductile | | 61 | ISO 6162 - 2.5 to 35 MPa SAE code 61 | Ductile only | | 62 | ISO 6162 - 40 MPa series SAE code 62 | <table border="1"> <thead> <tr> <th colspan="2">Thread Type</th> </tr> </thead> <tbody> <tr> <td>Omit</td> <td>Inch threads / ports</td> </tr> <tr> <td>M</td> <td>Metric threads / ports</td> </tr> </tbody> </table> | Thread Type | | Omit | Inch threads / ports | M | Metric threads / ports |
| Material | | | | | | | | | | | | | | | | | | | | | | | | | | | | | | | | | | | | | | | | | | | | | | | |
| A | Aluminum - 6061-T6 3000 [†] psi • 20.7 MPa | | | | | | | | | | | | | | | | | | | | | | | | | | | | | | | | | | | | | | | | | | | | | | |
| D | Ductile Iron - D4512 5000 [†] psi • 34.5 MPa | | | | | | | | | | | | | | | | | | | | | | | | | | | | | | | | | | | | | | | | | | | | | | |
| [†] Working pressure should be considered in accordance with ISO 4413 to determine appropriate material type. | | | | | | | | | | | | | | | | | | | | | | | | | | | | | | | | | | | | | | | | | | | | | | | |
| Valve Cavity | | | | | | | | | | | | | | | | | | | | | | | | | | | | | | | | | | | | | | | | | | | | | | | |
| 16 | DIN 24342 - 16mm ISO 7368-06-01 (Standard currently under revision) NFPA T3.5.45-BA-06-2-A | | | | | | | | | | | | | | | | | | | | | | | | | | | | | | | | | | | | | | | | | | | | | | |
| Pilot Circuit | | | | | | | | | | | | | | | | | | | | | | | | | | | | | | | | | | | | | | | | | | | | | | | |
| XA | X common to A Y common to B | | | | | | | | | | | | | | | | | | | | | | | | | | | | | | | | | | | | | | | | | | | | | | |
| XB | X common to B Z1 common to A | | | | | | | | | | | | | | | | | | | | | | | | | | | | | | | | | | | | | | | | | | | | | | |
| These connections are furnished plugged (external pilot ports). Remove plugs for internal pilot ports. See circuit diagram. | | | | | | | | | | | | | | | | | | | | | | | | | | | | | | | | | | | | | | | | | | | | | | | |
| A & B Port Size | | | | | | | | | | | | | | | | | | | | | | | | | | | | | | | | | | | | | | | | | | | | | | | |
| 16F | ISO 6162 - DN25 Split Flange SAE Size 16 (1.00") Flange | | | | | | | | | | | | | | | | | | | | | | | | | | | | | | | | | | | | | | | | | | | | | | |
| 20F | ISO 6162 - DN32 Split Flange SAE Size 20 (1.25") Flange | | | | | | | | | | | | | | | | | | | | | | | | | | | | | | | | | | | | | | | | | | | | | | |
| Flange Rating | | | | | | | | | | | | | | | | | | | | | | | | | | | | | | | | | | | | | | | | | | | | | | | |
| Aluminum or Ductile | | | | | | | | | | | | | | | | | | | | | | | | | | | | | | | | | | | | | | | | | | | | | | | |
| 61 | ISO 6162 - 2.5 to 35 MPa SAE code 61 | | | | | | | | | | | | | | | | | | | | | | | | | | | | | | | | | | | | | | | | | | | | | | |
| Ductile only | | | | | | | | | | | | | | | | | | | | | | | | | | | | | | | | | | | | | | | | | | | | | | | |
| 62 | ISO 6162 - 40 MPa series SAE code 62 | | | | | | | | | | | | | | | | | | | | | | | | | | | | | | | | | | | | | | | | | | | | | | |
| Thread Type | | | | | | | | | | | | | | | | | | | | | | | | | | | | | | | | | | | | | | | | | | | | | | | |
| Omit | Inch threads / ports | | | | | | | | | | | | | | | | | | | | | | | | | | | | | | | | | | | | | | | | | | | | | | |
| M | Metric threads / ports | | | | | | | | | | | | | | | | | | | | | | | | | | | | | | | | | | | | | | | | | | | | | | |

25mm Body • XA Circuit

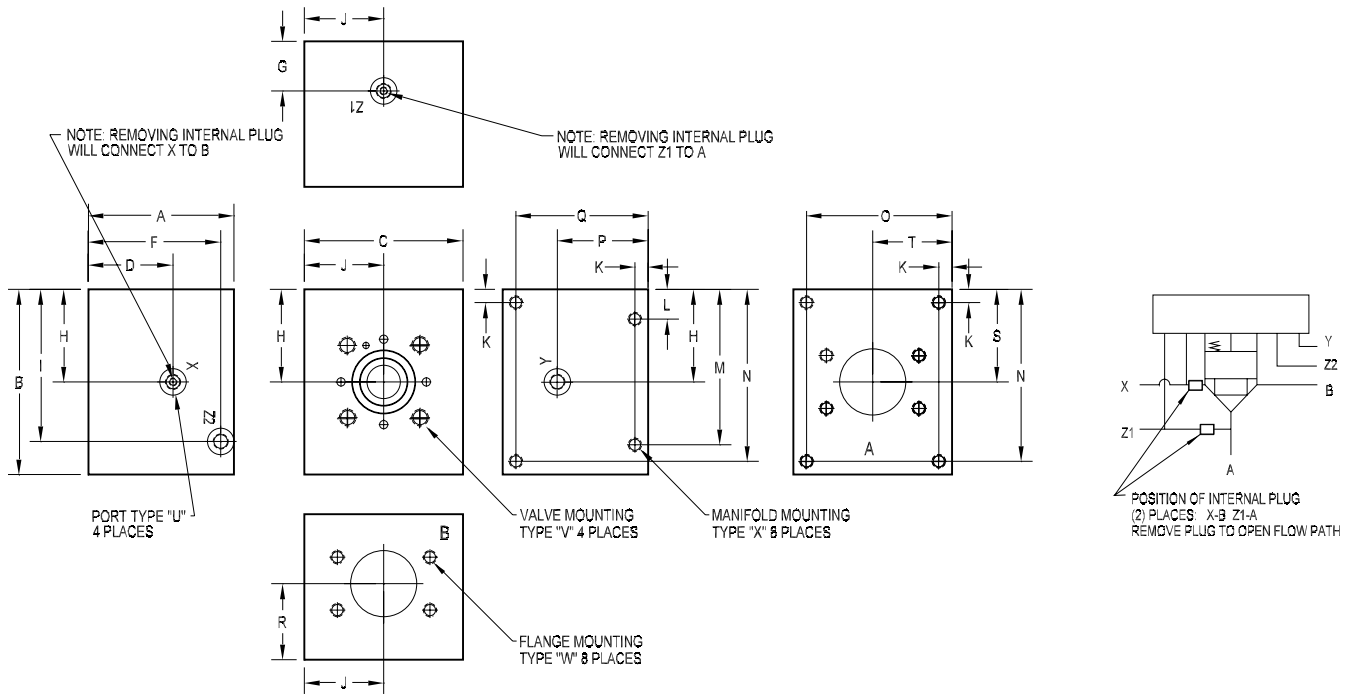


Specifications, descriptions, and dimensional data are subject to correction or change without notice or incurring obligation. Download latest catalog page revisions at www.daman.com.

| PART NO. | A | B | C | D | E | F | G | H | I | J | K | L | M | N | O | P |
|-------------|---------|---------|---------|--------|--------|---------|--------|--------|---------|--------|--------|--------|---------|---------|---------|--------|
| *25XA20F61 | 4.00 | 5.00 | 4.50 | 0.75 | 2.13 | 3.50 | 0.53 | 1.88 | 3.75 | 2.25 | 0.38 | 0.88 | 4.13 | 4.63 | 4.13 | 2.25 |
| *25XA20F61M | [101.6] | [127.0] | [114.3] | [19.1] | [54.0] | [88.9] | [13.5] | [47.6] | [95.3] | [57.2] | [9.5] | [22.2] | [104.8] | [117.5] | [104.8] | [57.2] |
| *25XB20F61 | 4.00 | 5.00 | 4.50 | 2.25 | -- | 3.50 | 0.75 | 1.88 | 3.75 | 2.25 | 0.38 | 0.88 | 4.13 | 4.63 | 4.13 | 2.25 |
| *25XB20F61M | [101.6] | [127.0] | [114.3] | [57.2] | -- | [88.9] | [19.1] | [47.6] | [95.3] | [57.2] | [9.5] | [22.2] | [104.8] | [117.5] | [104.8] | [57.2] |
| D25XA20F62 | 4.00 | 5.00 | 4.50 | 0.75 | 2.13 | 3.50 | 0.72 | 2.06 | 3.94 | 2.25 | 0.38 | 0.88 | 4.13 | 4.63 | 4.13 | 2.25 |
| D25XA20F62M | [101.6] | [127.0] | [114.3] | [19.1] | [54.0] | [88.9] | [18.3] | [52.4] | [100.0] | [57.2] | [9.5] | [22.2] | [104.8] | [117.5] | [104.8] | [57.2] |
| D25XB20F62 | 4.00 | 5.00 | 4.50 | 2.25 | -- | 3.50 | 0.75 | 2.06 | 3.94 | 2.25 | 0.38 | 0.88 | 4.13 | 4.63 | 4.13 | 2.25 |
| D25XB20F62M | [101.6] | [127.0] | [114.3] | [57.2] | -- | [88.9] | [19.1] | [52.4] | [100.0] | [57.2] | [9.5] | [22.2] | [104.8] | [117.5] | [104.8] | [57.2] |
| *25XA32F61 | 5.00 | 6.00 | 4.50 | 1.75 | 3.13 | 4.50 | 1.53 | 2.88 | 4.75 | 2.25 | 0.50 | 1.13 | 4.88 | 5.50 | 4.00 | 3.25 |
| *25XA32F61M | [127.0] | [152.4] | [114.3] | [44.5] | [79.4] | [114.3] | [38.9] | [73.0] | [120.7] | [57.2] | [12.7] | [28.6] | [123.8] | [139.7] | [101.6] | [82.6] |
| *25XB32F61 | 5.00 | 6.00 | 4.50 | 3.25 | -- | 4.50 | 1.75 | 2.88 | 4.75 | 2.25 | 0.50 | 1.13 | 4.88 | 5.50 | 4.00 | 3.25 |
| *25XB32F61M | [127.0] | [152.4] | [114.3] | [82.6] | -- | [114.3] | [44.5] | [73.0] | [120.7] | [57.2] | [12.7] | [28.6] | [123.8] | [139.7] | [101.6] | [82.6] |
| D25XA32F62 | 5.00 | 6.50 | 6.00 | 1.75 | 3.13 | 4.50 | 1.78 | 3.13 | 5.00 | 3.00 | 0.50 | 1.13 | 5.38 | 6.00 | 5.50 | 3.25 |
| D25XA32F62M | [127.0] | [165.1] | [152.4] | [44.5] | [79.4] | [114.3] | [45.2] | [79.4] | [127.0] | [76.2] | [12.7] | [28.6] | [136.5] | [152.4] | [139.7] | [82.6] |
| D25XB32F62 | 5.00 | 6.50 | 6.00 | 3.25 | -- | 4.50 | 1.75 | 3.13 | 5.00 | 3.00 | 0.50 | 1.13 | 5.38 | 6.00 | 5.50 | 3.25 |
| D25XB32F62M | [101.6] | [165.1] | [152.4] | [82.6] | -- | [114.3] | [44.5] | [79.4] | [127.0] | [76.2] | [12.7] | [28.6] | [136.5] | [152.4] | [139.7] | [82.6] |

| PART NO. | Q | R | S | T | U pilot port size | V valve mounting | W flange mounting | X manifold mounting |
|-------------|---------|--------|--------|--------|-------------------|--------------------|--------------------|---------------------|
| *25XA20F61 | 3.63 | 2.25 | 1.88 | 2.25 | SAE #6 | 0.50 UNC x 1.19 DP | 0.44 UNC x 1.12 DP | 0.38 UNC x 1.00 DP |
| *25XA20F61M | [92.1] | [57.2] | [47.6] | [57.2] | ISO 6149 M14 | M12 ISO 6H x 30 DP | M10 ISO 6H x 28 DP | M10 ISO 6H x 25 DP |
| *25XB20F61 | 3.63 | 2.25 | 1.88 | 2.25 | SAE #6 | 0.50 UNC x 1.19 DP | 0.44 UNC x 1.12 DP | 0.38 UNC x 1.00 DP |
| *25XB20F61M | [92.1] | [57.2] | [47.6] | [57.2] | ISO 6149 M14 | M12 ISO 6H x 30 DP | M10 ISO 6H x 28 DP | M10 ISO 6H x 25 DP |
| D25XA20F62 | 3.63 | 2.25 | 2.06 | 2.25 | SAE #6 | 0.50 UNC x 1.19 DP | 0.50 UNC x 1.19 DP | 0.38 UNC x 1.00 DP |
| D25XA20F62M | [92.1] | [57.2] | [52.4] | [57.2] | ISO 6149 M14 | M12 ISO 6H x 30 DP | M12 ISO 6H x 30 DP | M10 ISO 6H x 25 DP |
| D25XB20F62 | 3.63 | 2.25 | 2.06 | 2.25 | SAE #6 | 0.50 UNC x 1.19 DP | 0.50 UNC x 1.19 DP | 0.38 UNC x 1.00 DP |
| D25XB20F62M | [92.1] | [57.2] | [52.4] | [57.2] | ISO 6149 M14 | M12 ISO 6H x 30 DP | M12 ISO 6H x 30 DP | M10 ISO 6H x 25 DP |
| *25XA32F61 | 4.50 | 2.75 | 2.88 | 2.25 | SAE #6 | 0.50 UNC x 1.19 DP | 0.50 UNC x 1.19 DP | 0.50 UNC x 1.00 DP |
| *25XA32F61M | [114.3] | [69.9] | [73.0] | [57.2] | ISO 6149 M14 | M12 ISO 6H x 30 DP | M12 ISO 6H x 30 DP | M12 ISO 6H x 25 DP |
| *25XB32F61 | 4.50 | 2.75 | 2.88 | 2.25 | SAE #6 | 0.50 UNC x 1.19 DP | 0.50 UNC x 1.19 DP | 0.50 UNC x 1.00 DP |
| *25XB32F61M | [114.3] | [69.9] | [73.0] | [57.2] | ISO 6149 M14 | M12 ISO 6H x 30 DP | M12 ISO 6H x 30 DP | M12 ISO 6H x 25 DP |
| D25XA32F62 | 4.50 | 2.75 | 3.13 | 3.00 | SAE #6 | 0.50 UNC x 1.19 DP | 0.75 UNC x 1.62 DP | 0.50 UNC x 1.00 DP |
| D25XA32F62M | [114.3] | [69.9] | [79.4] | [76.2] | ISO 6149 M14 | M12 ISO 6H x 30 DP | M20 ISO 6H x 41 DP | M12 ISO 6H x 25 DP |
| D25XB32F62 | 4.50 | 2.75 | 3.13 | 3.00 | SAE #6 | 0.50 UNC x 1.19 DP | 0.75 UNC x 1.62 DP | 0.50 UNC x 1.00 DP |
| D25XB32F62M | [114.3] | [69.9] | [79.4] | [76.2] | ISO 6149 M14 | M12 ISO 6H x 30 DP | M20 ISO 6H x 41 DP | M12 ISO 6H x 25 DP |

25mm Body • XB Circuit

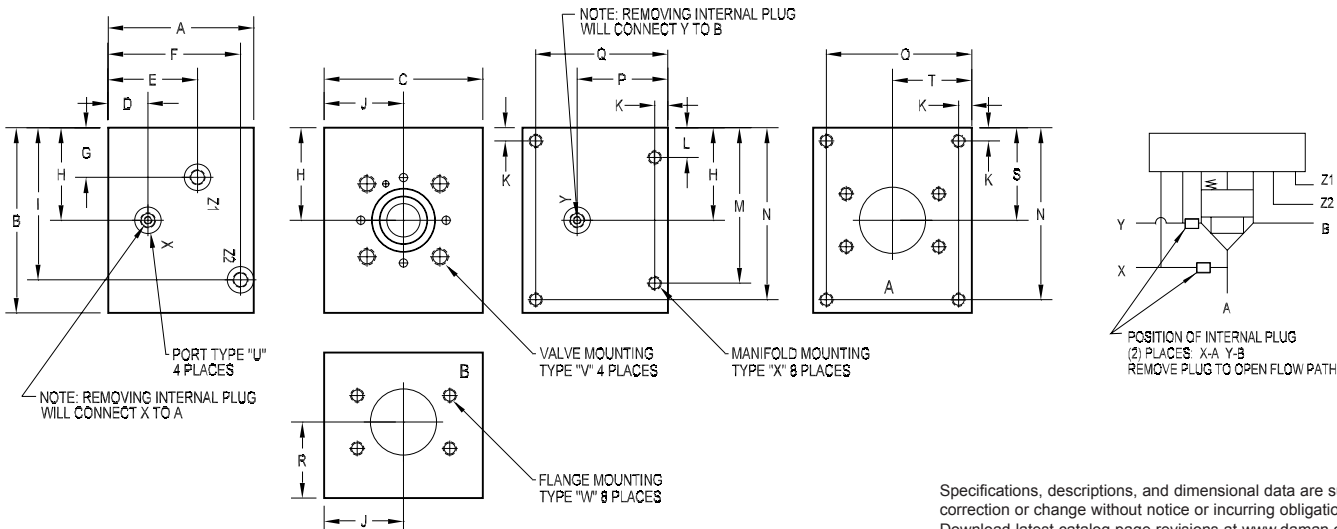


Specifications, descriptions, and dimensional data are subject to correction or change without notice or incurring obligation. Download latest catalog page revisions at www.daman.com.

Ordering Information

| Material | Valve Cavity | Pilot Circuit | A & B Port Size | Flange Rating | Thread Type | | | | | | | | | | | | | | | | | | | | | | | | | | | | | | | | | | | | | | | | | | |
|---|--|---------------|-----------------|--|-------------|--|--|--|--|--------------|--|-----------|--|--|---------------|--|-----------|--------------------------------|-----------|---------------------------------|---|--|---|-----------------|--|------------|--|------------|--|--|---------------|--|---------------------|--|-----------|---|--------------|--|-----------|---|--|-------------|--|-------------|----------------------|----------|------------------------|
| <table border="1"> <thead> <tr> <th colspan="2">Material</th> </tr> </thead> <tbody> <tr> <td>A</td> <td>Aluminum - 6061-T6 3000[†] psi • 20.7 MPa</td> </tr> <tr> <td>D</td> <td>Ductile Iron - D4512 5000[†] psi • 34.5 MPa</td> </tr> <tr> <td colspan="2">[†] Working pressure should be considered in accordance with ISO 4413 to determine appropriate material type.</td> </tr> </tbody> </table> | Material | | A | Aluminum - 6061-T6 3000 [†] psi • 20.7 MPa | D | Ductile Iron - D4512 5000 [†] psi • 34.5 MPa | [†] Working pressure should be considered in accordance with ISO 4413 to determine appropriate material type. | | <table border="1"> <thead> <tr> <th colspan="2">Valve Cavity</th> </tr> </thead> <tbody> <tr> <td>25</td> <td>DIN 24342 - 25mm ISO 7368-08-03 (Standard currently under revision) NFFA T3.5.45-BB-08-2-A</td> </tr> </tbody> </table> | Valve Cavity | | 25 | DIN 24342 - 25mm ISO 7368-08-03 (Standard currently under revision) NFFA T3.5.45-BB-08-2-A | <table border="1"> <thead> <tr> <th colspan="2">Pilot Circuit</th> </tr> </thead> <tbody> <tr> <td>XA</td> <td>X common to A Y common to B</td> </tr> <tr> <td>XB</td> <td>X common to B Z1 common to A</td> </tr> <tr> <td colspan="2">These connections are furnished plugged (external pilot ports). Remove plugs for internal pilot ports. See circuit diagram.</td> </tr> </tbody> </table> | Pilot Circuit | | XA | X common to A Y common to B | XB | X common to B Z1 common to A | These connections are furnished plugged (external pilot ports). Remove plugs for internal pilot ports. See circuit diagram. | | <table border="1"> <thead> <tr> <th colspan="2">A & B Port Size</th> </tr> </thead> <tbody> <tr> <td>20F</td> <td>ISO 6162 - DN32 Split Flange SAE Size 20 (1.25") Flange</td> </tr> <tr> <td>32F</td> <td>ISO 6162 - DN51 Split Flange SAE Size 32 (2.00") Flange</td> </tr> </tbody> </table> | A & B Port Size | | 20F | ISO 6162 - DN32 Split Flange SAE Size 20 (1.25") Flange | 32F | ISO 6162 - DN51 Split Flange SAE Size 32 (2.00") Flange | <table border="1"> <thead> <tr> <th colspan="2">Flange Rating</th> </tr> </thead> <tbody> <tr> <td colspan="2">Aluminum or Ductile</td> </tr> <tr> <td>61</td> <td>ISO 6162 - 2.5 to 35 MPa SAE code 61</td> </tr> <tr> <td colspan="2">Ductile only</td> </tr> <tr> <td>62</td> <td>ISO 6162 - 40 MPa series SAE code 62</td> </tr> </tbody> </table> | Flange Rating | | Aluminum or Ductile | | 61 | ISO 6162 - 2.5 to 35 MPa SAE code 61 | Ductile only | | 62 | ISO 6162 - 40 MPa series SAE code 62 | <table border="1"> <thead> <tr> <th colspan="2">Thread Type</th> </tr> </thead> <tbody> <tr> <td>Omit</td> <td>Inch threads / ports</td> </tr> <tr> <td>M</td> <td>Metric threads / ports</td> </tr> </tbody> </table> | Thread Type | | Omit | Inch threads / ports | M | Metric threads / ports |
| Material | | | | | | | | | | | | | | | | | | | | | | | | | | | | | | | | | | | | | | | | | | | | | | | |
| A | Aluminum - 6061-T6 3000 [†] psi • 20.7 MPa | | | | | | | | | | | | | | | | | | | | | | | | | | | | | | | | | | | | | | | | | | | | | | |
| D | Ductile Iron - D4512 5000 [†] psi • 34.5 MPa | | | | | | | | | | | | | | | | | | | | | | | | | | | | | | | | | | | | | | | | | | | | | | |
| [†] Working pressure should be considered in accordance with ISO 4413 to determine appropriate material type. | | | | | | | | | | | | | | | | | | | | | | | | | | | | | | | | | | | | | | | | | | | | | | | |
| Valve Cavity | | | | | | | | | | | | | | | | | | | | | | | | | | | | | | | | | | | | | | | | | | | | | | | |
| 25 | DIN 24342 - 25mm ISO 7368-08-03 (Standard currently under revision) NFFA T3.5.45-BB-08-2-A | | | | | | | | | | | | | | | | | | | | | | | | | | | | | | | | | | | | | | | | | | | | | | |
| Pilot Circuit | | | | | | | | | | | | | | | | | | | | | | | | | | | | | | | | | | | | | | | | | | | | | | | |
| XA | X common to A Y common to B | | | | | | | | | | | | | | | | | | | | | | | | | | | | | | | | | | | | | | | | | | | | | | |
| XB | X common to B Z1 common to A | | | | | | | | | | | | | | | | | | | | | | | | | | | | | | | | | | | | | | | | | | | | | | |
| These connections are furnished plugged (external pilot ports). Remove plugs for internal pilot ports. See circuit diagram. | | | | | | | | | | | | | | | | | | | | | | | | | | | | | | | | | | | | | | | | | | | | | | | |
| A & B Port Size | | | | | | | | | | | | | | | | | | | | | | | | | | | | | | | | | | | | | | | | | | | | | | | |
| 20F | ISO 6162 - DN32 Split Flange SAE Size 20 (1.25") Flange | | | | | | | | | | | | | | | | | | | | | | | | | | | | | | | | | | | | | | | | | | | | | | |
| 32F | ISO 6162 - DN51 Split Flange SAE Size 32 (2.00") Flange | | | | | | | | | | | | | | | | | | | | | | | | | | | | | | | | | | | | | | | | | | | | | | |
| Flange Rating | | | | | | | | | | | | | | | | | | | | | | | | | | | | | | | | | | | | | | | | | | | | | | | |
| Aluminum or Ductile | | | | | | | | | | | | | | | | | | | | | | | | | | | | | | | | | | | | | | | | | | | | | | | |
| 61 | ISO 6162 - 2.5 to 35 MPa SAE code 61 | | | | | | | | | | | | | | | | | | | | | | | | | | | | | | | | | | | | | | | | | | | | | | |
| Ductile only | | | | | | | | | | | | | | | | | | | | | | | | | | | | | | | | | | | | | | | | | | | | | | | |
| 62 | ISO 6162 - 40 MPa series SAE code 62 | | | | | | | | | | | | | | | | | | | | | | | | | | | | | | | | | | | | | | | | | | | | | | |
| Thread Type | | | | | | | | | | | | | | | | | | | | | | | | | | | | | | | | | | | | | | | | | | | | | | | |
| Omit | Inch threads / ports | | | | | | | | | | | | | | | | | | | | | | | | | | | | | | | | | | | | | | | | | | | | | | |
| M | Metric threads / ports | | | | | | | | | | | | | | | | | | | | | | | | | | | | | | | | | | | | | | | | | | | | | | |

32mm Body • XA Circuit

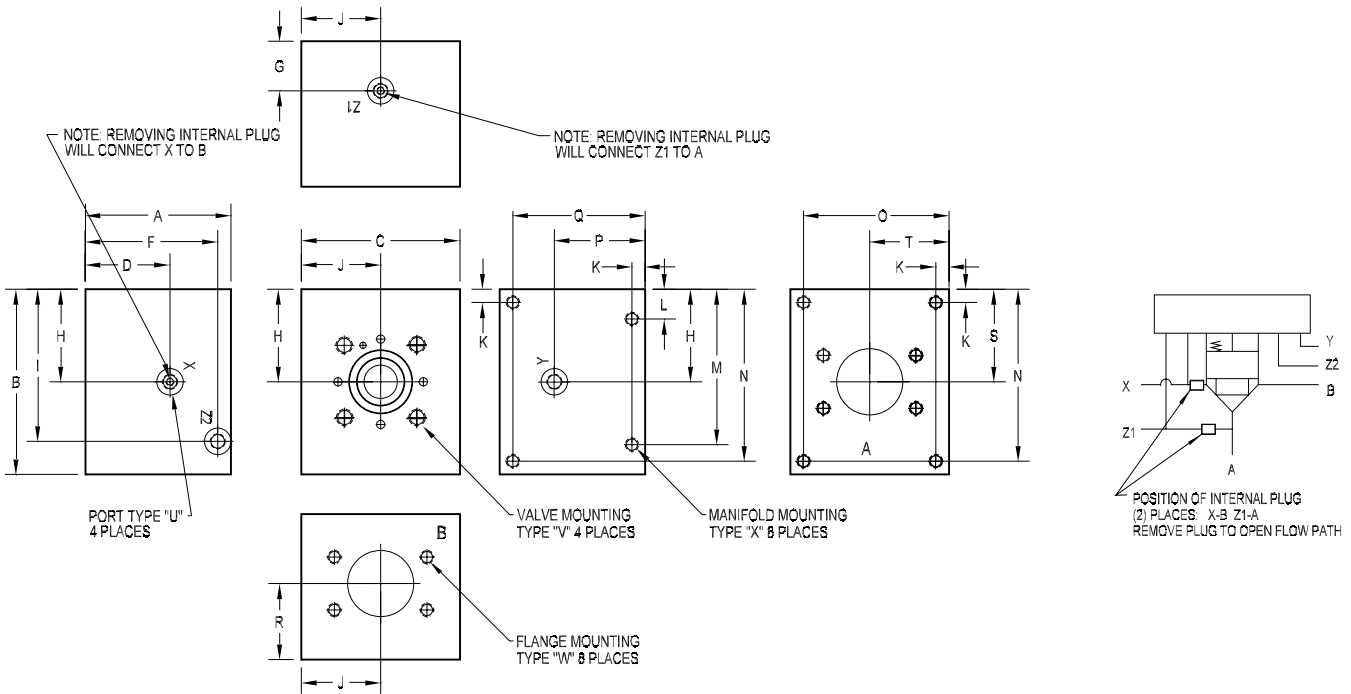


Specifications, descriptions, and dimensional data are subject to correction or change without notice or incurring obligation. Download latest catalog page revisions at www.daman.com.

| PART NO. | A | B | C | D | E | F | G | H | I | J | K | L | M | N | O | P |
|-------------|---------|---------|---------|---------|---------|---------|--------|---------|---------|--------|--------|--------|---------|---------|---------|---------|
| *32XA24F61 | 5.50 | 6.00 | 6.00 | 1.50 | 3.38 | 5.00 | 0.88 | 2.50 | 4.75 | 3.00 | 0.50 | 1.13 | 4.88 | 5.50 | 5.50 | 3.43 |
| *32XA24F61M | [139.7] | [152.4] | [152.4] | [38.1] | [85.7] | [127.0] | [22.2] | [63.5] | [120.7] | [76.2] | [12.7] | [28.6] | [123.8] | [139.7] | [139.7] | [87.2] |
| *32XB24F61 | 5.50 | 6.00 | 6.00 | 3.43 | -- | 5.00 | 1.50 | 2.50 | 4.75 | 3.00 | 0.50 | 1.13 | 4.88 | 5.50 | 5.50 | 3.43 |
| *32XB24F61M | [139.7] | [152.4] | [152.4] | [87.2] | -- | [127.0] | [38.1] | [63.5] | [120.7] | [76.2] | [12.7] | [28.6] | [123.8] | [139.7] | [139.7] | [87.2] |
| D32XA24F62 | 5.50 | 6.00 | 6.00 | 1.50 | 3.38 | 5.00 | 0.88 | 2.50 | 4.75 | 3.00 | 0.50 | 1.13 | 4.88 | 5.50 | 5.50 | 3.43 |
| D32XA24F62M | [139.7] | [152.4] | [152.4] | [38.1] | [85.7] | [127.0] | [22.2] | [63.5] | [120.7] | [76.2] | [12.7] | [28.6] | [123.8] | [139.7] | [139.7] | [87.2] |
| D32XB24F62 | 5.50 | 6.00 | 6.00 | 3.43 | -- | 5.00 | 1.50 | 2.50 | 4.75 | 3.00 | 0.50 | 1.13 | 4.88 | 5.50 | 5.50 | 3.43 |
| D32XB24F62M | [139.7] | [152.4] | [152.4] | [87.2] | -- | [127.0] | [38.1] | [63.5] | [120.7] | [76.2] | [12.7] | [28.6] | [123.8] | [139.7] | [139.7] | [87.2] |
| *32XA40F61 | 5.50 | 7.00 | 6.00 | 1.50 | 3.38 | 5.00 | 1.88 | 3.50 | 5.75 | 3.00 | 0.50 | 1.13 | 5.88 | 6.50 | 5.50 | 3.43 |
| *32XA40F61M | [139.7] | [177.8] | [152.4] | [38.1] | [85.7] | [127.0] | [47.6] | [88.9] | [146.1] | [76.2] | [12.7] | [28.6] | [149.2] | [165.1] | [139.7] | [87.2] |
| *32XB40F61 | 5.50 | 7.00 | 6.00 | 3.43 | -- | 5.00 | 1.50 | 3.50 | 5.75 | 3.00 | 0.50 | 1.13 | 5.88 | 6.50 | 5.50 | 3.43 |
| *32XB40F61M | [139.7] | [177.8] | [152.4] | [87.2] | -- | [127.0] | [38.1] | [88.9] | [146.1] | [76.2] | [12.7] | [28.6] | [149.2] | [165.1] | [139.7] | [87.2] |
| D32XA40F62 | 6.50 | 8.00 | 7.50 | 2.50 | 4.38 | 6.00 | 2.38 | 4.00 | 6.25 | 3.75 | 0.63 | 1.38 | 6.63 | 7.38 | 6.88 | 4.43 |
| D32XA40F62M | [165.1] | [203.2] | [190.5] | [63.5] | [111.1] | [152.4] | [60.3] | [101.6] | [158.8] | [95.3] | [15.9] | [34.9] | [168.3] | [187.3] | [174.6] | [112.6] |
| D32XB40F62 | 6.50 | 8.00 | 7.50 | 4.43 | -- | 6.00 | 2.50 | 4.00 | 6.25 | 3.75 | 0.63 | 1.38 | 6.63 | 7.38 | 6.88 | 4.43 |
| D32XB40F62M | [165.1] | [203.2] | [190.5] | [112.6] | -- | [152.4] | [63.5] | [101.6] | [158.8] | [95.3] | [15.9] | [34.9] | [168.3] | [187.3] | [174.6] | [112.6] |

| PART NO. | Q | R | S | T | U pilot port size | V valve mounting | W flange mounting | X manifold mounting |
|-------------|---------|--------|---------|--------|-------------------|--------------------|---------------------------|---------------------|
| *32XA24F61 | 5.00 | 3.43 | 2.50 | 3.00 | SAE #6 | 0.63 UNC x 1.44 DP | 0.50 UNC x 1.19 DP | 0.50 UNC x 1.00 DP |
| *32XA24F61M | [127.0] | [87.2] | [63.5] | [76.2] | ISO 6149 M14 | M16 ISO 6H x 36 DP | M12 ISO 6H x 30 DP | M12 ISO 6H x 25 DP |
| *32XB24F61 | 5.00 | 3.43 | 2.50 | 3.00 | SAE #6 | 0.63 UNC x 1.44 DP | 0.50 UNC x 1.19 DP | 0.50 UNC x 1.00 DP |
| *32XB24F61M | [127.0] | [87.2] | [63.5] | [76.2] | ISO 6149 M14 | M16 ISO 6H x 36 DP | M12 ISO 6H x 30 DP | M12 ISO 6H x 25 DP |
| D32XA24F62 | 5.00 | 3.43 | 2.50 | 3.00 | SAE #6 | 0.63 UNC x 1.44 DP | 0.63 UNC x 1.44 DP | 0.50 UNC x 1.00 DP |
| D32XA24F62M | [127.0] | [87.2] | [63.5] | [76.2] | ISO 6149 M14 | M16 ISO 6H x 36 DP | M16 ISO 6H x 36 DP | M12 ISO 6H x 25 DP |
| D32XB24F62 | 5.00 | 3.43 | 2.50 | 3.00 | SAE #6 | 0.63 UNC x 1.44 DP | 0.63 UNC x 1.44 DP | 0.50 UNC x 1.00 DP |
| D32XB24F62M | [127.0] | [87.2] | [63.5] | [76.2] | ISO 6149 M14 | M16 ISO 6H x 36 DP | M16 ISO 6H x 36 DP | M12 ISO 6H x 25 DP |
| *32XA40F61 | 5.00 | 2.88 | 3.50 | 3.00 | SAE #6 | 0.63 UNC x 1.44 DP | 0.50 UNC x 1.19 DP | 0.50 UNC x 1.00 DP |
| *32XA40F61M | [127.0] | [73.0] | [88.9] | [76.2] | ISO 6149 M14 | M16 ISO 6H x 36 DP | M12 ISO 6H x 30 DP | M12 ISO 6H x 25 DP |
| *32XB40F61 | 5.00 | 2.88 | 3.50 | 3.00 | SAE #6 | 0.63 UNC x 1.44 DP | 0.50 UNC x 1.19 DP | 0.50 UNC x 1.00 DP |
| *32XB40F61M | [127.0] | [73.0] | [88.9] | [76.2] | ISO 6149 M14 | M16 ISO 6H x 36 DP | M12 ISO 6H x 30 DP | M12 ISO 6H x 25 DP |
| D32XA40F62 | 5.88 | 3.38 | 4.00 | 3.75 | SAE #6 | 0.63 UNC x 1.44 DP | 0.88 UNC x 1.88 DP | 0.63 UNC x 1.44 DP |
| D32XA40F62M | [149.2] | [85.7] | [101.6] | [95.3] | ISO 6149 M14 | M16 ISO 6H x 36 DP | M24 ISO 6H x 48 DP | M16 ISO 6H x 36 DP |
| D32XB40F62 | 5.88 | 3.38 | 4.00 | 3.75 | SAE #6 | 0.63 UNC x 1.44 DP | 0.88 UNC x 1.88 DP | 0.63 UNC x 1.44 DP |
| D32XB40F62M | [149.2] | [85.7] | [101.6] | [95.3] | ISO 6149 M14 | M16 ISO 6H x 36 DP | M24 ISO 6H x 48 DP | M16 ISO 6H x 36 DP |

32mm Body • XB Circuit

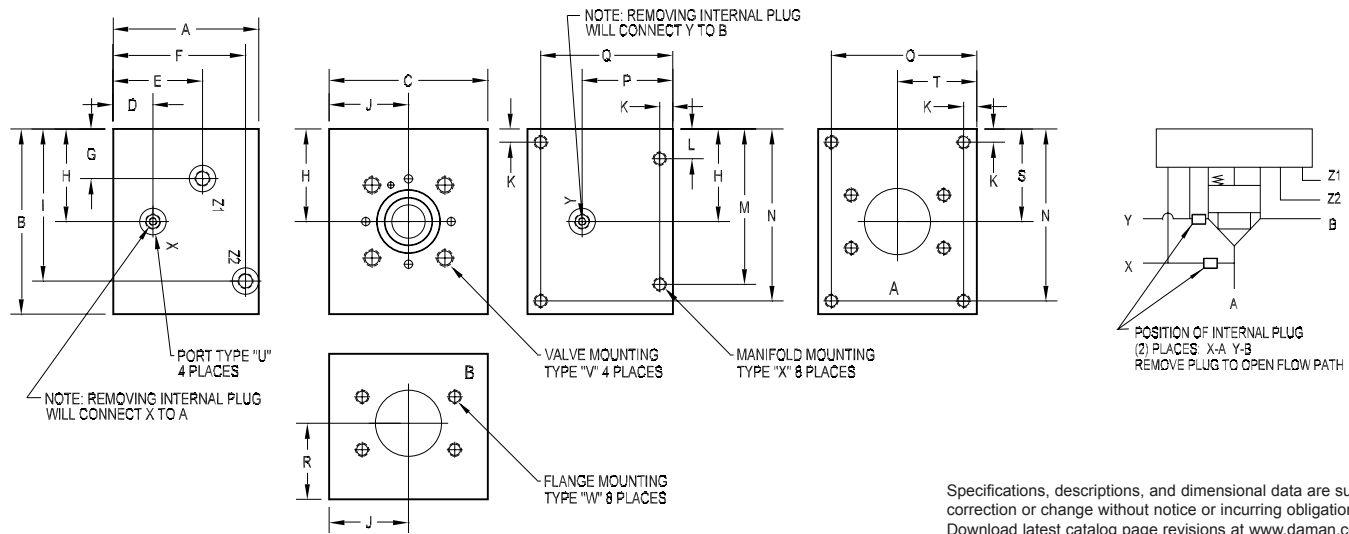


Specifications, descriptions, and dimensional data are subject to correction or change without notice or incurring obligation. Download latest catalog page revisions at www.daman.com.

Ordering Information

| Material | Valve Cavity | Pilot Circuit | A & B Port Size | Flange Rating | Thread Type | | | | | | | | | | | | | | | | | | | | | | | | | | | | | | | | | | | | | | | | | | |
|--|--|---------------|-----------------|--|-------------|--|---|--|--|--------------|--|-----------|--|--|---------------|--|-----------|--------------------------------|-----------|---------------------------------|---|--|---|-----------------|--|------------|--|------------|--|--|---------------|--|---------------------|--|-----------|---|--------------|--|-----------|---|--|-------------|--|-------------|----------------------|----------|------------------------|
| <table border="1"> <thead> <tr> <th colspan="2">Material</th> </tr> </thead> <tbody> <tr> <td>A</td> <td>Aluminum - 6061-T6 3000† psi • 20.7 MPa</td> </tr> <tr> <td>D</td> <td>Ductile Iron - D4512 5000† psi • 34.5 MPa</td> </tr> <tr> <td colspan="2">† Working pressure should be considered in accordance with ISO 4413 to determine appropriate material type.</td> </tr> </tbody> </table> | Material | | A | Aluminum - 6061-T6 3000† psi • 20.7 MPa | D | Ductile Iron - D4512 5000† psi • 34.5 MPa | † Working pressure should be considered in accordance with ISO 4413 to determine appropriate material type. | | <table border="1"> <thead> <tr> <th colspan="2">Valve Cavity</th> </tr> </thead> <tbody> <tr> <td>32</td> <td>DIN 24342 - 32mm ISO 7368-09-05 (Standard currently under revision) NFPA T3.5.45-BC-09-2-A</td> </tr> </tbody> </table> | Valve Cavity | | 32 | DIN 24342 - 32mm ISO 7368-09-05 (Standard currently under revision) NFPA T3.5.45-BC-09-2-A | <table border="1"> <thead> <tr> <th colspan="2">Pilot Circuit</th> </tr> </thead> <tbody> <tr> <td>XA</td> <td>X common to A Y common to B</td> </tr> <tr> <td>XB</td> <td>X common to B Z1 common to A</td> </tr> <tr> <td colspan="2">These connections are furnished plugged (external pilot ports). Remove plugs for internal pilot ports. See circuit diagram.</td> </tr> </tbody> </table> | Pilot Circuit | | XA | X common to A Y common to B | XB | X common to B Z1 common to A | These connections are furnished plugged (external pilot ports). Remove plugs for internal pilot ports. See circuit diagram. | | <table border="1"> <thead> <tr> <th colspan="2">A & B Port Size</th> </tr> </thead> <tbody> <tr> <td>24F</td> <td>ISO 6162 - DN38 Split Flange SAE Size 24 (1.50") Flange</td> </tr> <tr> <td>40F</td> <td>ISO 6162 - DN64 Split Flange SAE Size 40 (2.50") Flange</td> </tr> </tbody> </table> | A & B Port Size | | 24F | ISO 6162 - DN38 Split Flange SAE Size 24 (1.50") Flange | 40F | ISO 6162 - DN64 Split Flange SAE Size 40 (2.50") Flange | <table border="1"> <thead> <tr> <th colspan="2">Flange Rating</th> </tr> </thead> <tbody> <tr> <td colspan="2">Aluminum or Ductile</td> </tr> <tr> <td>61</td> <td>ISO 6162 - 2.5 to 35 MPa SAE code 61</td> </tr> <tr> <td colspan="2">Ductile only</td> </tr> <tr> <td>62</td> <td>ISO 6162 - 40 MPa series SAE code 62</td> </tr> </tbody> </table> | Flange Rating | | Aluminum or Ductile | | 61 | ISO 6162 - 2.5 to 35 MPa SAE code 61 | Ductile only | | 62 | ISO 6162 - 40 MPa series SAE code 62 | <table border="1"> <thead> <tr> <th colspan="2">Thread Type</th> </tr> </thead> <tbody> <tr> <td>Omit</td> <td>Inch threads / ports</td> </tr> <tr> <td>M</td> <td>Metric threads / ports</td> </tr> </tbody> </table> | Thread Type | | Omit | Inch threads / ports | M | Metric threads / ports |
| Material | | | | | | | | | | | | | | | | | | | | | | | | | | | | | | | | | | | | | | | | | | | | | | | |
| A | Aluminum - 6061-T6 3000† psi • 20.7 MPa | | | | | | | | | | | | | | | | | | | | | | | | | | | | | | | | | | | | | | | | | | | | | | |
| D | Ductile Iron - D4512 5000† psi • 34.5 MPa | | | | | | | | | | | | | | | | | | | | | | | | | | | | | | | | | | | | | | | | | | | | | | |
| † Working pressure should be considered in accordance with ISO 4413 to determine appropriate material type. | | | | | | | | | | | | | | | | | | | | | | | | | | | | | | | | | | | | | | | | | | | | | | | |
| Valve Cavity | | | | | | | | | | | | | | | | | | | | | | | | | | | | | | | | | | | | | | | | | | | | | | | |
| 32 | DIN 24342 - 32mm ISO 7368-09-05 (Standard currently under revision) NFPA T3.5.45-BC-09-2-A | | | | | | | | | | | | | | | | | | | | | | | | | | | | | | | | | | | | | | | | | | | | | | |
| Pilot Circuit | | | | | | | | | | | | | | | | | | | | | | | | | | | | | | | | | | | | | | | | | | | | | | | |
| XA | X common to A Y common to B | | | | | | | | | | | | | | | | | | | | | | | | | | | | | | | | | | | | | | | | | | | | | | |
| XB | X common to B Z1 common to A | | | | | | | | | | | | | | | | | | | | | | | | | | | | | | | | | | | | | | | | | | | | | | |
| These connections are furnished plugged (external pilot ports). Remove plugs for internal pilot ports. See circuit diagram. | | | | | | | | | | | | | | | | | | | | | | | | | | | | | | | | | | | | | | | | | | | | | | | |
| A & B Port Size | | | | | | | | | | | | | | | | | | | | | | | | | | | | | | | | | | | | | | | | | | | | | | | |
| 24F | ISO 6162 - DN38 Split Flange SAE Size 24 (1.50") Flange | | | | | | | | | | | | | | | | | | | | | | | | | | | | | | | | | | | | | | | | | | | | | | |
| 40F | ISO 6162 - DN64 Split Flange SAE Size 40 (2.50") Flange | | | | | | | | | | | | | | | | | | | | | | | | | | | | | | | | | | | | | | | | | | | | | | |
| Flange Rating | | | | | | | | | | | | | | | | | | | | | | | | | | | | | | | | | | | | | | | | | | | | | | | |
| Aluminum or Ductile | | | | | | | | | | | | | | | | | | | | | | | | | | | | | | | | | | | | | | | | | | | | | | | |
| 61 | ISO 6162 - 2.5 to 35 MPa SAE code 61 | | | | | | | | | | | | | | | | | | | | | | | | | | | | | | | | | | | | | | | | | | | | | | |
| Ductile only | | | | | | | | | | | | | | | | | | | | | | | | | | | | | | | | | | | | | | | | | | | | | | | |
| 62 | ISO 6162 - 40 MPa series SAE code 62 | | | | | | | | | | | | | | | | | | | | | | | | | | | | | | | | | | | | | | | | | | | | | | |
| Thread Type | | | | | | | | | | | | | | | | | | | | | | | | | | | | | | | | | | | | | | | | | | | | | | | |
| Omit | Inch threads / ports | | | | | | | | | | | | | | | | | | | | | | | | | | | | | | | | | | | | | | | | | | | | | | |
| M | Metric threads / ports | | | | | | | | | | | | | | | | | | | | | | | | | | | | | | | | | | | | | | | | | | | | | | |

40mm Body • XA Circuit

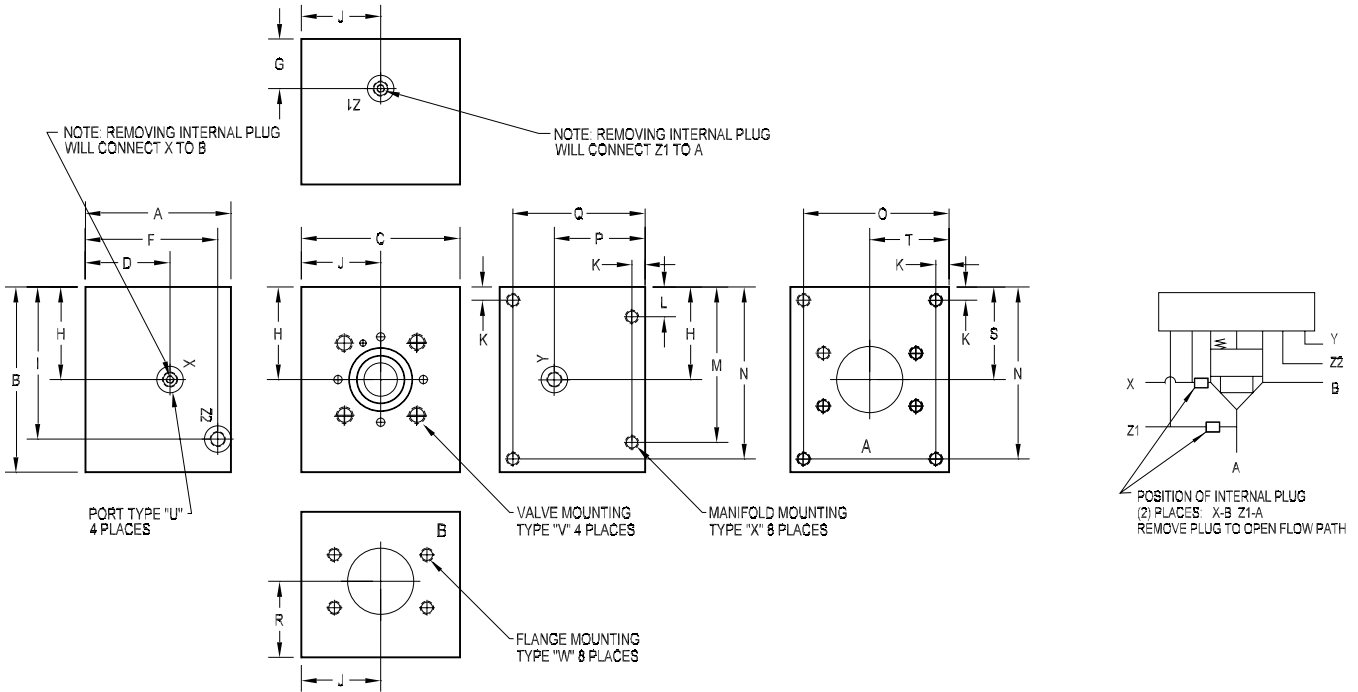


Specifications, descriptions, and dimensional data are subject to correction or change without notice or incurring obligation. Download latest catalog page revisions at www.daman.com.

| PART NO. | A | B | C | D | E | F | G | H | I | J | K | L | M | N | O | P |
|-------------|---------|---------|---------|---------|---------|---------|--------|---------|---------|---------|--------|--------|---------|---------|---------|---------|
| *40XA32F61 | 6.00 | 7.00 | 6.00 | 1.25 | 3.50 | 5.50 | 1.28 | 3.25 | 6.00 | 3.00 | 0.50 | 1.13 | 5.88 | 6.50 | 5.50 | 3.46 |
| *40XA32F61M | [152.4] | [177.8] | [152.4] | [31.8] | [88.9] | [139.7] | [32.5] | [82.6] | [152.4] | [76.2] | [12.7] | [28.6] | [149.2] | [165.1] | [139.7] | [87.9] |
| *40XB32F61 | 6.00 | 7.00 | 6.00 | 3.46 | -- | 5.50 | 1.25 | 3.25 | 6.00 | 3.00 | 0.50 | 1.13 | 5.88 | 6.50 | 5.50 | 3.46 |
| *40XB32F61M | [152.4] | [177.8] | [152.4] | [87.9] | -- | [139.7] | [31.8] | [82.6] | [152.4] | [76.2] | [12.7] | [28.6] | [149.2] | [165.1] | [139.7] | [87.9] |
| D40XA32F62 | 6.00 | 7.00 | 6.00 | 1.25 | 3.50 | 5.50 | 1.16 | 3.13 | 5.88 | 3.00 | 0.50 | 1.13 | 5.88 | 6.50 | 5.50 | 3.46 |
| D40XA32F62M | [152.4] | [177.8] | [152.4] | [31.8] | [88.9] | [139.7] | [29.4] | [79.8] | [149.2] | [76.2] | [12.7] | [28.6] | [149.2] | [165.1] | [139.7] | [87.9] |
| D40XB32F62 | 6.00 | 7.00 | 6.00 | 3.46 | -- | 5.50 | 1.25 | 3.13 | 5.88 | 3.00 | 0.50 | 1.13 | 5.88 | 6.50 | 5.50 | 3.46 |
| D40XB32F62M | [152.4] | [177.8] | [152.4] | [87.9] | -- | [139.7] | [31.8] | [79.8] | [149.2] | [76.2] | [12.7] | [28.6] | [149.2] | [165.1] | [139.7] | [87.9] |
| *40XA48F61 | 6.00 | 7.50 | 6.00 | 1.25 | 3.50 | 5.50 | 1.78 | 3.75 | 6.50 | 3.00 | 0.50 | 1.13 | 6.38 | 7.00 | 5.50 | 3.46 |
| *40XA48F61M | [152.4] | [190.5] | [152.4] | [31.8] | [88.9] | [139.7] | [45.2] | [95.3] | [165.1] | [76.2] | [12.7] | [28.6] | [161.9] | [177.8] | [139.7] | [87.9] |
| *40XB48F61 | 6.00 | 7.50 | 6.00 | 3.46 | -- | 5.50 | 1.25 | 3.75 | 6.50 | 3.00 | 0.50 | 1.13 | 6.38 | 7.00 | 5.50 | 3.46 |
| *40XB48F61M | [152.4] | [190.5] | [152.4] | [87.9] | -- | [139.7] | [31.8] | [95.3] | [165.1] | [76.2] | [12.7] | [28.6] | [161.9] | [177.8] | [139.7] | [87.9] |
| D40XA48F62 | 7.50 | 9.50 | 9.00 | 2.75 | 5.00 | 7.00 | 2.78 | 4.75 | 7.50 | 4.50 | 0.75 | 1.63 | 7.88 | 8.75 | 8.25 | 4.96 |
| D40XA48F62M | [190.5] | [241.3] | [228.6] | [69.9] | [127.0] | [177.8] | [70.6] | [120.7] | [190.5] | [114.3] | [19.1] | [41.3] | [200.0] | [222.3] | [209.6] | [126.0] |
| D40XB48F62 | 7.50 | 9.50 | 9.00 | 4.96 | -- | 7.00 | 2.75 | 4.75 | 7.50 | 4.50 | 0.75 | 1.63 | 7.88 | 8.75 | 8.25 | 4.96 |
| D40XB48F62M | [190.5] | [241.3] | [228.6] | [126.0] | -- | [177.8] | [69.9] | [120.7] | [190.5] | [114.3] | [19.1] | [41.3] | [200.0] | [222.3] | [209.6] | [126.0] |

| PART NO. | Q | R | S | T | U pilot port size | V valve mounting | W flange mounting | X manifold mounting |
|-------------|---------|--------|---------|---------|-------------------|--------------------|---------------------------|---------------------|
| *40XA32F61 | 5.50 | 3.46 | 3.25 | 3.00 | SAE #6 | 0.75 UNC x 1.62 DP | 0.50 UNC x 1.19 DP | 0.50 UNC x 1.00 DP |
| *40XA32F61M | [139.7] | [87.9] | [82.6] | [76.2] | ISO 6149 M14 | M20 ISO 6H x 41 DP | M12 ISO 6H x 30 DP | M12 ISO 6H x 25 DP |
| *40XB32F61 | 5.50 | 3.46 | 3.25 | 3.00 | SAE #6 | 0.75 UNC x 1.62 DP | 0.50 UNC x 1.19 DP | 0.50 UNC x 1.00 DP |
| *40XB32F61M | [139.7] | [87.9] | [82.6] | [76.2] | ISO 6149 M14 | M20 ISO 6H x 41 DP | M12 ISO 6H x 30 DP | M12 ISO 6H x 25 DP |
| D40XA32F62 | 5.50 | 3.46 | 3.13 | 3.00 | SAE #6 | 0.75 UNC x 1.62 DP | 0.75 UNC x 1.50 DP | 0.50 UNC x 1.00 DP |
| D40XA32F62M | [139.7] | [87.9] | [79.4] | [76.2] | ISO 6149 M14 | M20 ISO 6H x 41 DP | M20 ISO 6H x 38 DP | M12 ISO 6H x 25 DP |
| D40XB32F62 | 5.50 | 3.46 | 3.13 | 3.00 | SAE #6 | 0.75 UNC x 1.62 DP | 0.75 UNC x 1.50 DP | 0.50 UNC x 1.00 DP |
| D40XB32F62M | [139.7] | [87.9] | [79.4] | [76.2] | ISO 6149 M14 | M20 ISO 6H x 41 DP | M20 ISO 6H x 38 DP | M12 ISO 6H x 25 DP |
| *40XA48F61 | 5.50 | 3.00 | 3.75 | 3.00 | SAE #6 | 0.75 UNC x 1.62 DP | 0.63 UNC x 1.44 DP | 0.50 UNC x 1.00 DP |
| *40XA48F61M | [139.7] | [76.2] | [95.3] | [76.2] | ISO 6149 M14 | M20 ISO 6H x 41 DP | M16 ISO 6H x 36 DP | M12 ISO 6H x 25 DP |
| *40XB48F61 | 5.50 | 3.00 | 3.75 | 3.00 | SAE #6 | 0.75 UNC x 1.62 DP | 0.63 UNC x 1.44 DP | 0.50 UNC x 1.00 DP |
| *40XB48F61M | [139.7] | [76.2] | [95.3] | [76.2] | ISO 6149 M14 | M20 ISO 6H x 41 DP | M16 ISO 6H x 36 DP | M12 ISO 6H x 25 DP |
| D40XA48F62 | 6.75 | 3.75 | 4.75 | 4.50 | SAE #6 | 0.75 UNC x 1.62 DP | 1.13 UNC x 2.50 DP | 0.75 UNC x 1.62 DP |
| D40XA48F62M | [171.5] | [95.3] | [120.7] | [114.3] | ISO 6149 M14 | M20 ISO 6H x 41 DP | M30 ISO 6H x 63 DP | M20 ISO 6H x 41 DP |
| D40XB48F62 | 6.75 | 3.75 | 4.75 | 4.50 | SAE #6 | 0.75 UNC x 1.62 DP | 1.13 UNC x 2.50 DP | 0.75 UNC x 1.62 DP |
| D40XB48F62M | [171.5] | [95.3] | [120.7] | [114.3] | ISO 6149 M14 | M20 ISO 6H x 41 DP | M30 ISO 6H x 63 DP | M20 ISO 6H x 41 DP |

40mm Body • XB Circuit

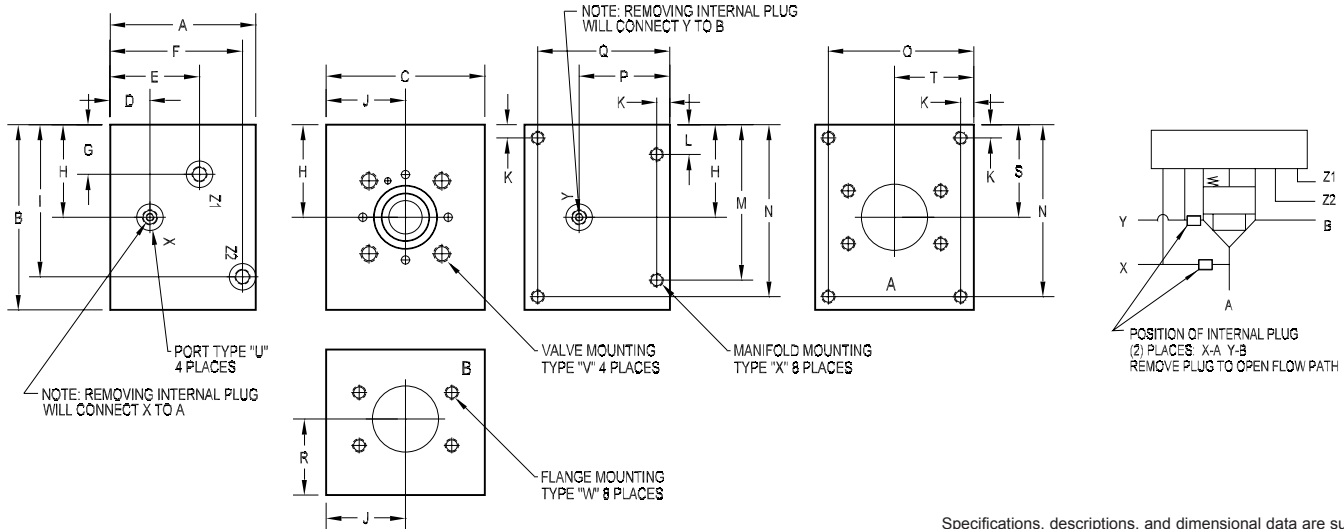


Specifications, descriptions, and dimensional data are subject to correction or change without notice or incurring obligation. Download latest catalog page revisions at www.daman.com.

Ordering Information

| Material | Valve Cavity | Pilot Circuit | A & B Port Size | Flange Rating | Thread Type | | | | | | | | | | | | | | | | | | | | | | | | | | | | | | | | | | | | | | | | | | |
|--|--|---------------|-----------------|--|-------------|--|---|--|--|--------------|--|-----------|--|--|---------------|--|-----------|--------------------------------|-----------|---------------------------------|---|--|---|-----------------|--|------------|--|------------|--|--|---------------|--|---------------------|--|-----------|---|--------------|--|-----------|---|--|-------------|--|-------------|----------------------|----------|------------------------|
| <table border="1"> <thead> <tr> <th colspan="2">Material</th> </tr> </thead> <tbody> <tr> <td>A</td> <td>Aluminum - 6061-T6 3000† psi • 20.7 MPa</td> </tr> <tr> <td>D</td> <td>Ductile Iron - D4512 5000† psi • 34.5 MPa</td> </tr> <tr> <td colspan="2">† Working pressure should be considered in accordance with ISO 4413 to determine appropriate material type.</td> </tr> </tbody> </table> | Material | | A | Aluminum - 6061-T6 3000† psi • 20.7 MPa | D | Ductile Iron - D4512 5000† psi • 34.5 MPa | † Working pressure should be considered in accordance with ISO 4413 to determine appropriate material type. | | <table border="1"> <thead> <tr> <th colspan="2">Valve Cavity</th> </tr> </thead> <tbody> <tr> <td>40</td> <td>DIN 24342 - 40mm ISO 7368-10-07 (Standard currently under revision) NFPA T3.5.45-BD-10-2-A</td> </tr> </tbody> </table> | Valve Cavity | | 40 | DIN 24342 - 40mm ISO 7368-10-07 (Standard currently under revision) NFPA T3.5.45-BD-10-2-A | <table border="1"> <thead> <tr> <th colspan="2">Pilot Circuit</th> </tr> </thead> <tbody> <tr> <td>XA</td> <td>X common to A Y common to B</td> </tr> <tr> <td>XB</td> <td>X common to B Z1 common to A</td> </tr> <tr> <td colspan="2">These connections are furnished plugged (external pilot ports). Remove plugs for internal pilot ports. See circuit diagram.</td> </tr> </tbody> </table> | Pilot Circuit | | XA | X common to A Y common to B | XB | X common to B Z1 common to A | These connections are furnished plugged (external pilot ports). Remove plugs for internal pilot ports. See circuit diagram. | | <table border="1"> <thead> <tr> <th colspan="2">A & B Port Size</th> </tr> </thead> <tbody> <tr> <td>32F</td> <td>ISO 6162 - DN51 Split Flange SAE Size 32 (2.00") Flange</td> </tr> <tr> <td>48F</td> <td>ISO 6162 - DN76 Split Flange SAE Size 48 (3.00") Flange</td> </tr> </tbody> </table> | A & B Port Size | | 32F | ISO 6162 - DN51 Split Flange SAE Size 32 (2.00") Flange | 48F | ISO 6162 - DN76 Split Flange SAE Size 48 (3.00") Flange | <table border="1"> <thead> <tr> <th colspan="2">Flange Rating</th> </tr> </thead> <tbody> <tr> <td colspan="2">Aluminum or Ductile</td> </tr> <tr> <td>61</td> <td>ISO 6162 - 2.5 to 35 MPa SAE code 61</td> </tr> <tr> <td colspan="2">Ductile only</td> </tr> <tr> <td>62</td> <td>ISO 6162 - 40 MPa series SAE code 62</td> </tr> </tbody> </table> | Flange Rating | | Aluminum or Ductile | | 61 | ISO 6162 - 2.5 to 35 MPa SAE code 61 | Ductile only | | 62 | ISO 6162 - 40 MPa series SAE code 62 | <table border="1"> <thead> <tr> <th colspan="2">Thread Type</th> </tr> </thead> <tbody> <tr> <td>Omit</td> <td>Inch threads / ports</td> </tr> <tr> <td>M</td> <td>Metric threads / ports</td> </tr> </tbody> </table> | Thread Type | | Omit | Inch threads / ports | M | Metric threads / ports |
| Material | | | | | | | | | | | | | | | | | | | | | | | | | | | | | | | | | | | | | | | | | | | | | | | |
| A | Aluminum - 6061-T6 3000† psi • 20.7 MPa | | | | | | | | | | | | | | | | | | | | | | | | | | | | | | | | | | | | | | | | | | | | | | |
| D | Ductile Iron - D4512 5000† psi • 34.5 MPa | | | | | | | | | | | | | | | | | | | | | | | | | | | | | | | | | | | | | | | | | | | | | | |
| † Working pressure should be considered in accordance with ISO 4413 to determine appropriate material type. | | | | | | | | | | | | | | | | | | | | | | | | | | | | | | | | | | | | | | | | | | | | | | | |
| Valve Cavity | | | | | | | | | | | | | | | | | | | | | | | | | | | | | | | | | | | | | | | | | | | | | | | |
| 40 | DIN 24342 - 40mm ISO 7368-10-07 (Standard currently under revision) NFPA T3.5.45-BD-10-2-A | | | | | | | | | | | | | | | | | | | | | | | | | | | | | | | | | | | | | | | | | | | | | | |
| Pilot Circuit | | | | | | | | | | | | | | | | | | | | | | | | | | | | | | | | | | | | | | | | | | | | | | | |
| XA | X common to A Y common to B | | | | | | | | | | | | | | | | | | | | | | | | | | | | | | | | | | | | | | | | | | | | | | |
| XB | X common to B Z1 common to A | | | | | | | | | | | | | | | | | | | | | | | | | | | | | | | | | | | | | | | | | | | | | | |
| These connections are furnished plugged (external pilot ports). Remove plugs for internal pilot ports. See circuit diagram. | | | | | | | | | | | | | | | | | | | | | | | | | | | | | | | | | | | | | | | | | | | | | | | |
| A & B Port Size | | | | | | | | | | | | | | | | | | | | | | | | | | | | | | | | | | | | | | | | | | | | | | | |
| 32F | ISO 6162 - DN51 Split Flange SAE Size 32 (2.00") Flange | | | | | | | | | | | | | | | | | | | | | | | | | | | | | | | | | | | | | | | | | | | | | | |
| 48F | ISO 6162 - DN76 Split Flange SAE Size 48 (3.00") Flange | | | | | | | | | | | | | | | | | | | | | | | | | | | | | | | | | | | | | | | | | | | | | | |
| Flange Rating | | | | | | | | | | | | | | | | | | | | | | | | | | | | | | | | | | | | | | | | | | | | | | | |
| Aluminum or Ductile | | | | | | | | | | | | | | | | | | | | | | | | | | | | | | | | | | | | | | | | | | | | | | | |
| 61 | ISO 6162 - 2.5 to 35 MPa SAE code 61 | | | | | | | | | | | | | | | | | | | | | | | | | | | | | | | | | | | | | | | | | | | | | | |
| Ductile only | | | | | | | | | | | | | | | | | | | | | | | | | | | | | | | | | | | | | | | | | | | | | | | |
| 62 | ISO 6162 - 40 MPa series SAE code 62 | | | | | | | | | | | | | | | | | | | | | | | | | | | | | | | | | | | | | | | | | | | | | | |
| Thread Type | | | | | | | | | | | | | | | | | | | | | | | | | | | | | | | | | | | | | | | | | | | | | | | |
| Omit | Inch threads / ports | | | | | | | | | | | | | | | | | | | | | | | | | | | | | | | | | | | | | | | | | | | | | | |
| M | Metric threads / ports | | | | | | | | | | | | | | | | | | | | | | | | | | | | | | | | | | | | | | | | | | | | | | |

50mm Body • XA Circuit

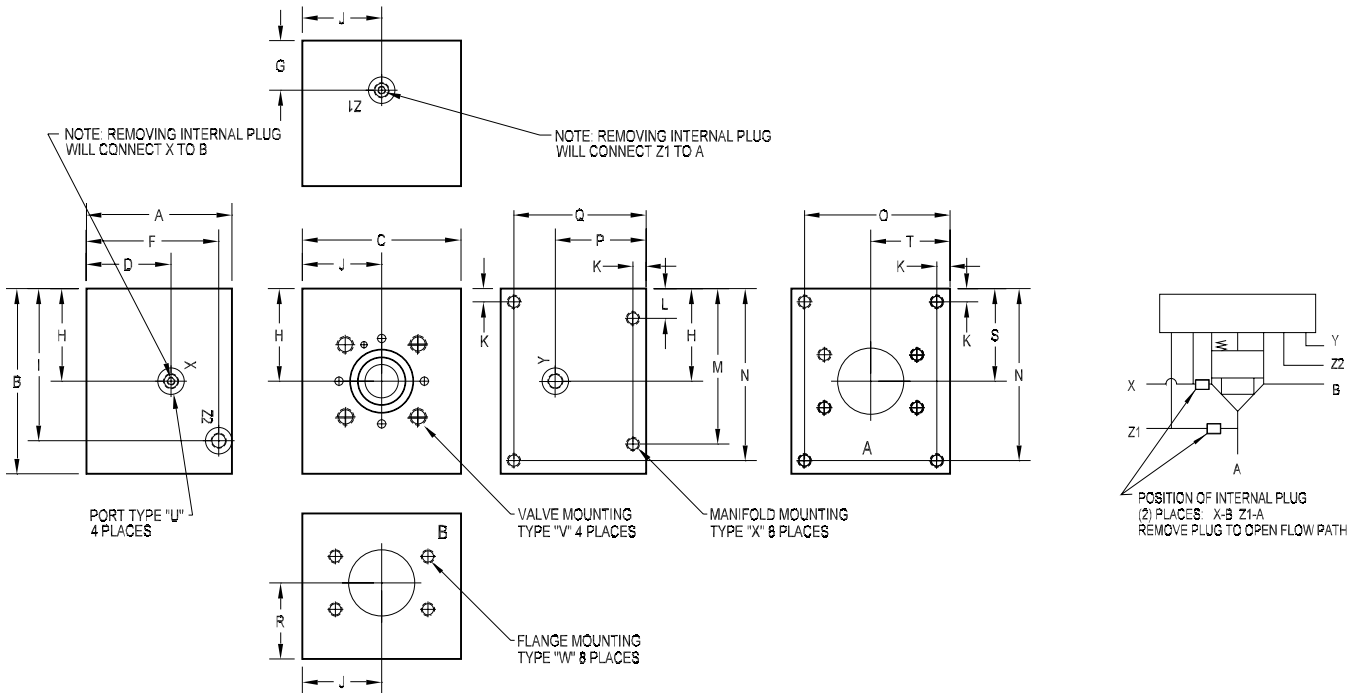


Specifications, descriptions, and dimensional data are subject to correction or change without notice or incurring obligation. Download latest catalog page revisions at www.daman.com.

| PART NO. | A | B | C | D | E | F | G | H | I | J | K | L | M | N | O | P |
|-------------|---------|---------|---------|---------|---------|---------|--------|--------|---------|--------|--------|--------|---------|---------|---------|---------|
| *50XA40F61* | 7.00 | 7.00 | 6.00 | 1.50 | 4.50 | 6.50 | 0.75 | 3.25 | 6.13 | 3.00 | 0.50 | 1.13 | 5.88 | 6.50 | 5.50 | 4.15 |
| *50XA40F61M | [177.8] | [177.8] | [152.4] | [38.1] | [114.3] | [165.1] | [19.1] | [82.6] | [155.6] | [76.2] | [12.7] | [28.6] | [149.2] | [165.1] | [139.7] | [105.3] |
| *50XB40F61* | 7.00 | 7.00 | 6.00 | 4.15 | -- | 6.50 | 1.50 | 3.25 | 6.13 | 3.00 | 0.50 | 1.13 | 5.88 | 6.50 | 5.50 | 4.15 |
| *50XB40F61M | [177.8] | [177.8] | [152.4] | [105.3] | -- | [165.1] | [38.1] | [82.6] | [155.6] | [76.2] | [12.7] | [28.6] | [149.2] | [165.1] | [139.7] | [105.3] |
| D50XA40F62* | 7.00 | 8.00 | 7.00 | 1.50 | 4.50 | 6.50 | 1.25 | 3.75 | 6.62 | 3.50 | 0.50 | 1.13 | 6.88 | 7.50 | 6.50 | 4.15 |
| D50XA40F62M | [177.8] | [203.2] | [177.8] | [38.1] | [114.3] | [165.1] | [31.8] | [95.3] | [168.3] | [88.9] | [12.7] | [28.6] | [174.6] | [190.5] | [165.1] | [105.3] |
| D50XB40F62* | 7.00 | 8.00 | 7.00 | 4.15 | -- | 6.50 | 1.50 | 3.75 | 6.62 | 3.50 | 0.50 | 1.13 | 6.88 | 7.50 | 6.50 | 4.15 |
| D50XB40F62M | [177.8] | [203.2] | [177.8] | [105.3] | -- | [165.1] | [38.1] | [95.3] | [168.3] | [88.9] | [12.7] | [28.6] | [174.6] | [190.5] | [165.1] | [105.3] |
| *50XA64F61* | 7.00 | 7.25 | 6.50 | 1.50 | 4.15 | 6.50 | 1.19 | 3.50 | 6.38 | 3.25 | 0.50 | 1.13 | 6.13 | 6.75 | 6.00 | 4.15 |
| *50XA64F61M | [177.8] | [184.2] | [165.1] | [38.1] | [105.4] | [165.1] | [30.2] | [88.9] | [161.9] | [82.6] | [12.7] | [28.6] | [155.6] | [171.5] | [152.4] | [105.3] |
| *50XB64F61* | 7.00 | 7.25 | 6.50 | 4.15 | -- | 6.50 | 1.50 | 3.50 | 6.38 | 3.25 | 0.50 | 1.13 | 6.13 | 6.75 | 6.00 | 4.15 |
| *50XB64F61M | [177.8] | [184.2] | [165.1] | [105.3] | -- | [165.1] | [38.1] | [88.9] | [161.9] | [82.6] | [12.7] | [28.6] | [155.6] | [171.5] | [152.4] | [105.3] |

| PART NO. | Q | R | S | T | U pilot port size | V valve mounting | W flange mounting | X manifold mounting |
|-------------|---------|---------|--------|--------|-------------------|--------------------|---------------------------|---------------------|
| *50XA40F61V | 6.50 | 4.15 | 3.25 | 3.00 | SAE #6 | 0.75 UNC x 1.62 DP | 0.50 UNC x 1.19 DP | 0.50 UNC x 1.00 DP |
| *50XA40F61R | [165.1] | [105.3] | [82.6] | [76.2] | ISO 6149 M14 | 0.88 UNC x 1.62 DP | M12 ISO 6H x 30 DP | M12 ISO 6H x 25 DP |
| *50XA40F61M | | | | | | M20 ISO 6H x 41 DP | | |
| *50XB40F61V | 6.50 | 4.15 | 3.25 | 3.00 | SAE #6 | 0.75 UNC x 1.62 DP | 0.50 UNC x 1.19 DP | 0.50 UNC x 1.00 DP |
| *50XB40F61R | [165.1] | [105.3] | [82.6] | [76.2] | ISO 6149 M14 | 0.88 UNC x 1.62 DP | M12 ISO 6H x 30 DP | M12 ISO 6H x 25 DP |
| *50XB40F61M | | | | | | M20 ISO 6H x 41 DP | | |
| D50XA40F62V | 6.50 | 4.00 | 3.75 | 3.50 | SAE #6 | 0.75 UNC x 1.62 DP | 0.88 UNC x 1.75 DP | 0.50 UNC x 1.00 DP |
| D50XA40F62R | [165.1] | [101.6] | [95.3] | [88.9] | ISO 6149 M14 | 0.88 UNC x 1.62 DP | M24 ISO 6H x 45 DP | M12 ISO 6H x 25 DP |
| D50XA40F62M | | | | | | M20 ISO 6H x 41 DP | | |
| D50XB40F62V | 6.50 | 4.00 | 3.75 | 3.50 | SAE #6 | 0.75 UNC x 1.62 DP | 0.88 UNC x 1.75 DP | 0.50 UNC x 1.00 DP |
| D50XB40F62R | [165.1] | [101.6] | [95.3] | [88.9] | ISO 6149 M14 | 0.88 UNC x 1.62 DP | M24 ISO 6H x 45 DP | M12 ISO 6H x 25 DP |
| D50XB40F62M | | | | | | M20 ISO 6H x 41 DP | | |
| *50XA64F61V | 6.50 | 3.88 | 3.50 | 3.25 | SAE #6 | 0.75 UNC x 1.62 DP | 0.63 UNC x 1.44 DP | 0.50 UNC x 1.19 DP |
| *50XA64F61R | [165.1] | [98.4] | [88.9] | [82.6] | ISO 6149 M14 | 0.88 UNC x 1.62 DP | M16 ISO 6H x 36 DP | M12 ISO 6H x 30 DP |
| *50XA64F61M | | | | | | M20 ISO 6H x 41 DP | | |
| *50XB64F61V | 6.50 | 3.88 | 3.50 | 3.25 | SAE #6 | 0.75 UNC x 1.62 DP | 0.63 UNC x 1.44 DP | 0.50 UNC x 1.19 DP |
| *50XB64F61R | [165.1] | [98.4] | [88.9] | [82.6] | ISO 6149 M14 | 0.88 UNC x 1.62 DP | M16 ISO 6H x 36 DP | M12 ISO 6H x 30 DP |
| *50XB64F61M | | | | | | M20 ISO 6H x 41 DP | | |

50mm Body • XB Circuit



Specifications, descriptions, and dimensional data are subject to correction or change without notice or incurring obligation. Download latest catalog page revisions at www.daman.com.

Ordering Information

| Material | Valve Cavity | Pilot Circuit | A & B Port Size | Flange Rating | Thread Type |
|----------|--------------|---------------|-----------------|---------------|-------------|
|----------|--------------|---------------|-----------------|---------------|-------------|

| Material | |
|----------|--|
| A | Aluminum - 6061-T6 3000† psi • 20.7 MPa |
| D | Ductile Iron - D4512 5000† psi • 34.5 MPa |

† Working pressure should be considered in accordance with ISO 4413 to determine appropriate material type.

| Pilot Circuit | |
|---------------|---------------------------------|
| XA | X common to A Y common to B |
| XB | X common to B Z1 common to A |

These connections are furnished plugged (external pilot ports). Remove plugs for internal pilot ports. See circuit diagram.

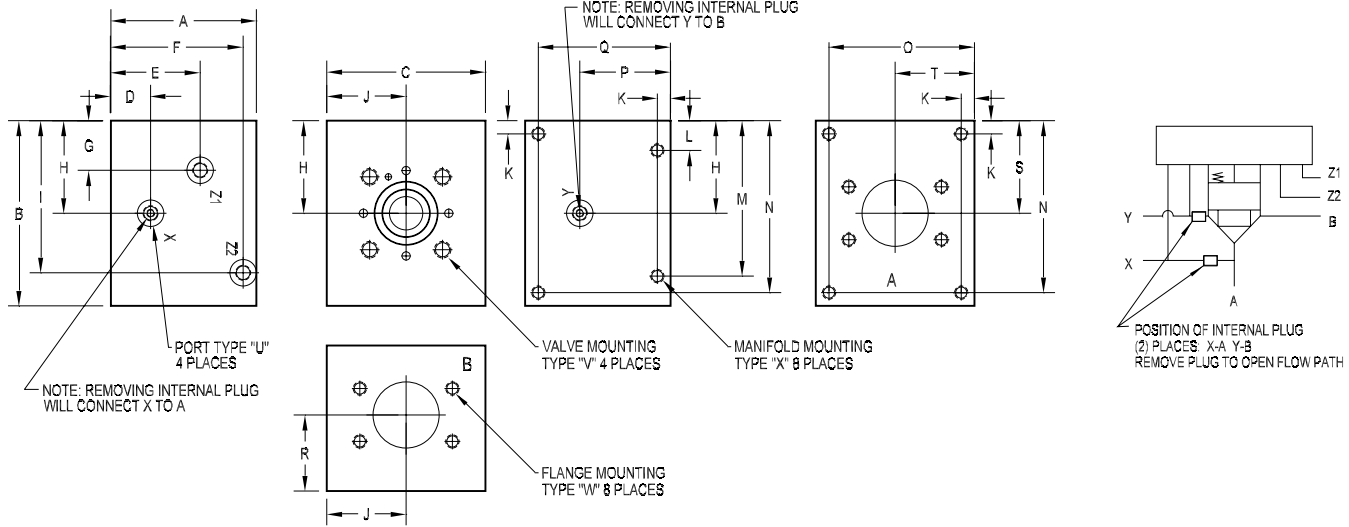
| Flange Rating | |
|-----------------------------|---|
| Aluminum or Ductile | |
| 61 | ISO 6162 - 2.5 to 35 MPa SAE code 61 |
| Port size 40F, Ductile only | |
| 62 | ISO 6162 - 40 MPa series SAE code 62 |

| Valve Cavity | |
|--------------|---|
| 50 | DIN 24342 - 50mm ISO 7368-11-09 (Standard currently under revision) NFFPA T3.5.45-BE-11-2-A |

| A & B Port Size | |
|-----------------|---|
| 40F | ISO 6162 - DN64 Split Flange SAE Size 40 (2.50") Flange |
| 64F | ISO 6162 - DN102 Split Flange SAE Size 64 (4.00") Flange |

| Thread Type | |
|-------------|--|
| V | Inch threads / ports Valve mtg. = 0.75-10 |
| R | Inch threads / ports Valve mtg. = 0.875-9 |
| M | Metric threads / ports Valve mtg. = M20-2.5 |

63mm Body • XA Circuit

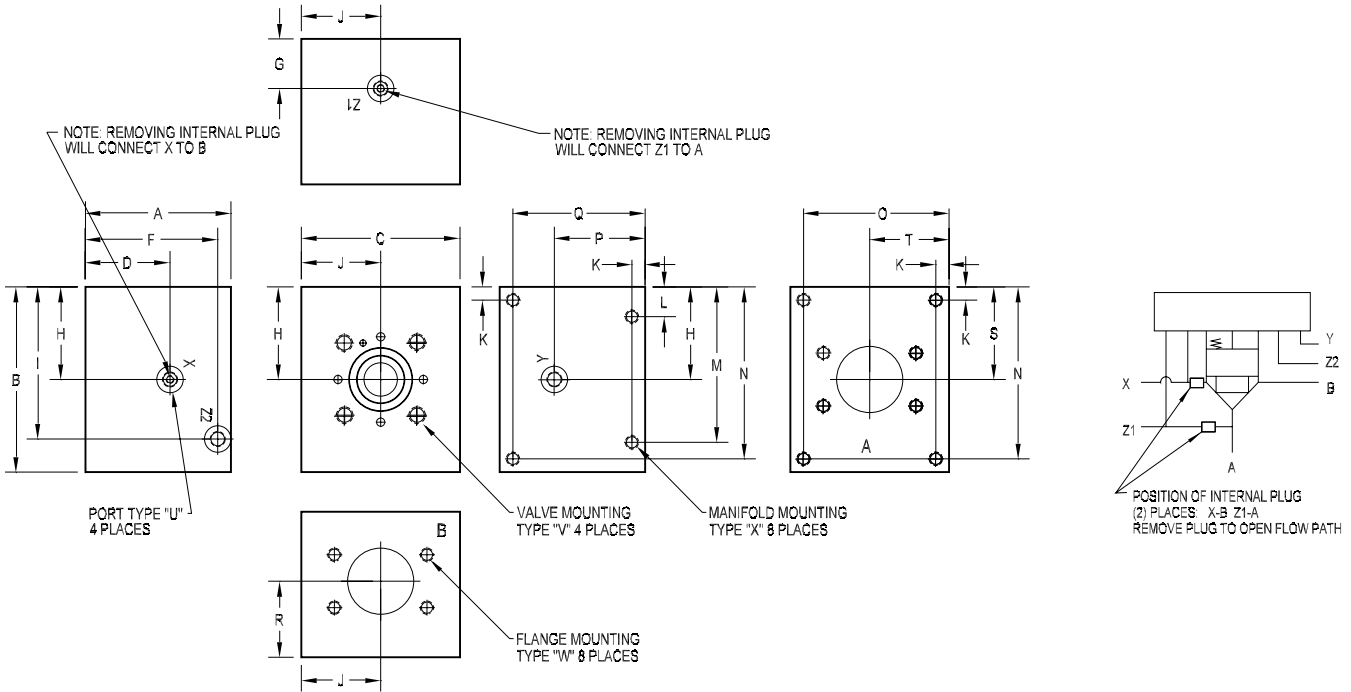


Specifications, descriptions, and dimensional data are subject to correction or change without notice or incurring obligation. Download latest catalog page revisions at www.daman.com.

| PART NO. | A | B | C | D | E | F | G | H | I | J | K | L | M | N | O | P |
|-------------|---------|---------|---------|---------|---------|---------|--------|---------|---------|---------|--------|--------|---------|---------|---------|---------|
| *63XA48F61 | 8.00 | 9.00 | 8.00 | 1.00 | 4.24 | 7.25 | 1.29 | 4.25 | 8.00 | 4.00 | 0.63 | 1.38 | 7.63 | 8.38 | 7.38 | 4.24 |
| *63XA48F61M | [203.2] | [228.6] | [203.2] | [25.4] | [107.7] | [184.2] | [32.8] | [108.0] | [203.2] | [101.6] | [15.9] | [34.9] | [193.7] | [212.7] | [187.3] | [107.7] |
| *63XB48F61 | 8.00 | 9.00 | 8.00 | 4.24 | -- | 7.25 | 1.25 | 4.25 | 8.00 | 4.00 | 0.63 | 1.38 | 7.63 | 8.38 | 7.38 | 4.24 |
| *63XB48F61M | [203.2] | [228.6] | [203.2] | [107.7] | -- | [184.2] | [31.8] | [108.0] | [203.2] | [101.6] | [15.9] | [34.9] | [193.7] | [212.7] | [187.3] | [107.7] |
| D63XA48F62 | 9.00 | 10.50 | 9.00 | 2.25 | 5.00 | 8.25 | 1.77 | 4.75 | 8.50 | 4.50 | 0.63 | 1.38 | 9.13 | 9.88 | 8.38 | 5.24 |
| D63XA48F62M | [228.6] | [266.7] | [228.6] | [57.2] | [127.0] | [209.6] | [45.0] | [120.7] | [215.9] | [114.3] | [15.9] | [34.9] | [231.8] | [250.8] | [212.7] | [133.1] |
| D63XB48F62 | 9.00 | 10.50 | 9.00 | 5.24 | -- | 8.25 | 2.25 | 4.75 | 8.50 | 4.50 | 0.63 | 1.38 | 9.13 | 9.88 | 8.38 | 5.24 |
| D63XB48F62M | [228.6] | [266.7] | [228.6] | [133.1] | -- | [209.6] | [57.2] | [120.7] | [215.9] | [114.3] | [15.9] | [34.9] | [231.8] | [250.8] | [212.7] | [133.1] |
| *63XA80F61 | 8.00 | 9.00 | 8.00 | 1.38 | 4.24 | 7.25 | 1.29 | 4.25 | 8.00 | 4.00 | 0.63 | 1.50 | 7.50 | 8.38 | 7.38 | 4.24 |
| *63XA80F61M | [203.2] | [228.6] | [203.2] | [34.9] | [107.7] | [184.2] | [32.8] | [108.0] | [203.2] | [101.6] | [15.9] | [38.1] | [190.5] | [212.7] | [187.3] | [107.7] |
| *63XB80F61 | 8.00 | 9.00 | 8.00 | 4.24 | -- | 7.25 | 1.38 | 4.25 | 8.00 | 4.00 | 0.63 | 1.50 | 7.50 | 8.38 | 7.38 | 4.24 |
| *63XB80F61M | [203.2] | [228.6] | [203.2] | [107.7] | -- | [184.2] | [34.9] | [108.0] | [203.2] | [101.6] | [15.9] | [38.1] | [190.5] | [212.7] | [187.3] | [107.7] |

| PART NO. | Q | R | S | T | U pilot port size | V valve mounting | W flange mounting | X manifold mounting |
|-------------|---------|---------|---------|---------|-------------------|--------------------|---------------------------|---------------------|
| *63XA48F61 | 7.38 | 4.24 | 4.25 | 4.00 | SAE #08 | 1.25 UNC x 2.75 DP | 0.63 UNC x 1.31 DP | 0.63 UNC x 1.25 DP |
| *63XA48F61M | [187.3] | [107.7] | [108.0] | [101.6] | ISO 6149 M18 | M30 ISO 6H x 70 DP | M16 ISO 6H x 33 DP | M16 ISO 6H x 32 DP |
| *63XB48F61 | 7.38 | 4.24 | 4.25 | 4.00 | SAE #08 | 1.25 UNC x 2.75 DP | 0.63 UNC x 1.31 DP | 0.63 UNC x 1.25 DP |
| *63XB48F61M | [187.3] | [107.7] | [108.0] | [101.6] | ISO 6149 M18 | M30 ISO 6H x 70 DP | M16 ISO 6H x 33 DP | M16 ISO 6H x 32 DP |
| D63XA48F62 | 8.38 | 5.24 | 4.75 | 4.50 | SAE #08 | 1.25 UNC x 2.75 DP | 1.13 UNC x 2.25 DP | 0.63 UNC x 1.25 DP |
| D63XA48F62M | [212.7] | [133.1] | [120.7] | [114.3] | ISO 6149 M18 | M30 ISO 6H x 70 DP | M30 ISO 6H x 57 DP | M16 ISO 6H x 32 DP |
| D63XB48F62 | 8.38 | 5.24 | 4.75 | 4.50 | SAE #08 | 1.25 UNC x 2.75 DP | 1.13 UNC x 2.25 DP | 0.63 UNC x 1.25 DP |
| D63XB48F62M | [212.7] | [133.1] | [120.7] | [114.3] | ISO 6149 M18 | M30 ISO 6H x 70 DP | M30 ISO 6H x 57 DP | M16 ISO 6H x 32 DP |
| *63XA80F61 | 7.38 | 4.24 | 4.25 | 4.00 | SAE #08 | 1.25 UNC x 2.75 DP | 0.63 UNC x 1.44 DP | 0.63 UNC x 1.44 DP |
| *63XA80F61M | [187.3] | [107.7] | [108.0] | [101.6] | ISO 6149 M18 | M30 ISO 6H x 70 DP | M16 ISO 6H x 36 DP | M16 ISO 6H x 36 DP |
| *63XB80F61 | 7.38 | 4.24 | 4.25 | 4.00 | SAE #08 | 1.25 UNC x 2.75 DP | 0.63 UNC x 1.44 DP | 0.63 UNC x 1.44 DP |
| *63XB80F61M | [187.3] | [107.7] | [108.0] | [101.6] | ISO 6149 M18 | M30 ISO 6H x 70 DP | M16 ISO 6H x 36 DP | M16 ISO 6H x 36 DP |

63mm Body • XB Circuit



Specifications, descriptions, and dimensional data are subject to correction or change without notice or incurring obligation. Download latest catalog page revisions at www.daman.com.

Ordering Information

| Material | Valve Cavity | Pilot Circuit | A & B Port Size | Flange Rating | Thread Type | | | | | | | | | | | | | | | | | | | | | | | | | | | | | | | | | | | | | | | | | | |
|--|---|---------------|-----------------|--|-------------|--|---|--|---|--------------|--|-----------|---|--|---------------|--|-----------|--------------------------------|-----------|---------------------------------|---|--|--|-----------------|--|------------|--|------------|---|---|---------------|--|---------------------|--|-----------|---|-----------------------------|--|-----------|---|--|-------------|--|-------------|----------------------|----------|------------------------|
| <table border="1"> <thead> <tr> <th colspan="2">Material</th> </tr> </thead> <tbody> <tr> <td>A</td> <td>Aluminum - 6061-T6 3000† psi • 20.7 MPa</td> </tr> <tr> <td>D</td> <td>Ductile Iron - D4512 5000† psi • 34.5 MPa</td> </tr> <tr> <td colspan="2">† Working pressure should be considered in accordance with ISO 4413 to determine appropriate material type.</td> </tr> </tbody> </table> | Material | | A | Aluminum - 6061-T6 3000† psi • 20.7 MPa | D | Ductile Iron - D4512 5000† psi • 34.5 MPa | † Working pressure should be considered in accordance with ISO 4413 to determine appropriate material type. | | <table border="1"> <thead> <tr> <th colspan="2">Valve Cavity</th> </tr> </thead> <tbody> <tr> <td>63</td> <td>DIN 24342 - 63mm ISO 7368-12-11 (Standard currently under revision) NFFPA T3.5.45-BF-12-2-A</td> </tr> </tbody> </table> | Valve Cavity | | 63 | DIN 24342 - 63mm ISO 7368-12-11 (Standard currently under revision) NFFPA T3.5.45-BF-12-2-A | <table border="1"> <thead> <tr> <th colspan="2">Pilot Circuit</th> </tr> </thead> <tbody> <tr> <td>XA</td> <td>X common to A Y common to B</td> </tr> <tr> <td>XB</td> <td>X common to B Z1 common to A</td> </tr> <tr> <td colspan="2">These connections are furnished plugged (external pilot ports). Remove plugs for internal pilot ports. See circuit diagram.</td> </tr> </tbody> </table> | Pilot Circuit | | XA | X common to A Y common to B | XB | X common to B Z1 common to A | These connections are furnished plugged (external pilot ports). Remove plugs for internal pilot ports. See circuit diagram. | | <table border="1"> <thead> <tr> <th colspan="2">A & B Port Size</th> </tr> </thead> <tbody> <tr> <td>48F</td> <td>ISO 6162 - DN76 Split Flange SAE Size 48 (3.00") Flange</td> </tr> <tr> <td>80F</td> <td>ISO 6162 - DN127 Split Flange SAE Size 80 (5.00") Flange</td> </tr> </tbody> </table> | A & B Port Size | | 48F | ISO 6162 - DN76 Split Flange SAE Size 48 (3.00") Flange | 80F | ISO 6162 - DN127 Split Flange SAE Size 80 (5.00") Flange | <table border="1"> <thead> <tr> <th colspan="2">Flange Rating</th> </tr> </thead> <tbody> <tr> <td colspan="2">Aluminum or Ductile</td> </tr> <tr> <td>61</td> <td>ISO 6162 - 2.5 to 35 MPa SAE code 61</td> </tr> <tr> <td colspan="2">Port size 48F, Ductile only</td> </tr> <tr> <td>62</td> <td>ISO 6162 - 40 MPa series SAE code 62</td> </tr> </tbody> </table> | Flange Rating | | Aluminum or Ductile | | 61 | ISO 6162 - 2.5 to 35 MPa SAE code 61 | Port size 48F, Ductile only | | 62 | ISO 6162 - 40 MPa series SAE code 62 | <table border="1"> <thead> <tr> <th colspan="2">Thread Type</th> </tr> </thead> <tbody> <tr> <td>Omit</td> <td>Inch threads / ports</td> </tr> <tr> <td>M</td> <td>Metric threads / ports</td> </tr> </tbody> </table> | Thread Type | | Omit | Inch threads / ports | M | Metric threads / ports |
| Material | | | | | | | | | | | | | | | | | | | | | | | | | | | | | | | | | | | | | | | | | | | | | | | |
| A | Aluminum - 6061-T6 3000† psi • 20.7 MPa | | | | | | | | | | | | | | | | | | | | | | | | | | | | | | | | | | | | | | | | | | | | | | |
| D | Ductile Iron - D4512 5000† psi • 34.5 MPa | | | | | | | | | | | | | | | | | | | | | | | | | | | | | | | | | | | | | | | | | | | | | | |
| † Working pressure should be considered in accordance with ISO 4413 to determine appropriate material type. | | | | | | | | | | | | | | | | | | | | | | | | | | | | | | | | | | | | | | | | | | | | | | | |
| Valve Cavity | | | | | | | | | | | | | | | | | | | | | | | | | | | | | | | | | | | | | | | | | | | | | | | |
| 63 | DIN 24342 - 63mm ISO 7368-12-11 (Standard currently under revision) NFFPA T3.5.45-BF-12-2-A | | | | | | | | | | | | | | | | | | | | | | | | | | | | | | | | | | | | | | | | | | | | | | |
| Pilot Circuit | | | | | | | | | | | | | | | | | | | | | | | | | | | | | | | | | | | | | | | | | | | | | | | |
| XA | X common to A Y common to B | | | | | | | | | | | | | | | | | | | | | | | | | | | | | | | | | | | | | | | | | | | | | | |
| XB | X common to B Z1 common to A | | | | | | | | | | | | | | | | | | | | | | | | | | | | | | | | | | | | | | | | | | | | | | |
| These connections are furnished plugged (external pilot ports). Remove plugs for internal pilot ports. See circuit diagram. | | | | | | | | | | | | | | | | | | | | | | | | | | | | | | | | | | | | | | | | | | | | | | | |
| A & B Port Size | | | | | | | | | | | | | | | | | | | | | | | | | | | | | | | | | | | | | | | | | | | | | | | |
| 48F | ISO 6162 - DN76 Split Flange SAE Size 48 (3.00") Flange | | | | | | | | | | | | | | | | | | | | | | | | | | | | | | | | | | | | | | | | | | | | | | |
| 80F | ISO 6162 - DN127 Split Flange SAE Size 80 (5.00") Flange | | | | | | | | | | | | | | | | | | | | | | | | | | | | | | | | | | | | | | | | | | | | | | |
| Flange Rating | | | | | | | | | | | | | | | | | | | | | | | | | | | | | | | | | | | | | | | | | | | | | | | |
| Aluminum or Ductile | | | | | | | | | | | | | | | | | | | | | | | | | | | | | | | | | | | | | | | | | | | | | | | |
| 61 | ISO 6162 - 2.5 to 35 MPa SAE code 61 | | | | | | | | | | | | | | | | | | | | | | | | | | | | | | | | | | | | | | | | | | | | | | |
| Port size 48F, Ductile only | | | | | | | | | | | | | | | | | | | | | | | | | | | | | | | | | | | | | | | | | | | | | | | |
| 62 | ISO 6162 - 40 MPa series SAE code 62 | | | | | | | | | | | | | | | | | | | | | | | | | | | | | | | | | | | | | | | | | | | | | | |
| Thread Type | | | | | | | | | | | | | | | | | | | | | | | | | | | | | | | | | | | | | | | | | | | | | | | |
| Omit | Inch threads / ports | | | | | | | | | | | | | | | | | | | | | | | | | | | | | | | | | | | | | | | | | | | | | | |
| M | Metric threads / ports | | | | | | | | | | | | | | | | | | | | | | | | | | | | | | | | | | | | | | | | | | | | | | |