A person with curly hair, wearing a watch and a ring, is working on a large, complex metal manifold. The manifold is made of polished metal and has several large circular openings. The person is using a tool to work on the manifold. The background is a workshop setting.

Hydraulic Valve Manifolds Better System Design Begins with a Manifold.

HEADER AND JUNCTION BLOCKS

Header Manifolds - 0° Design Page 180-181

Header Manifolds - 90° Design Page 182-183

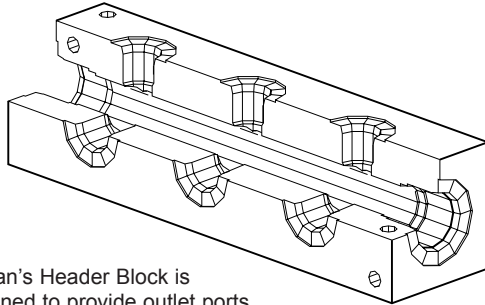
Header Manifolds - 180° Design Page 184-185

Junction Manifolds - 90° Design Page 186-187

Junction Manifolds - 180° Design Page 188-189

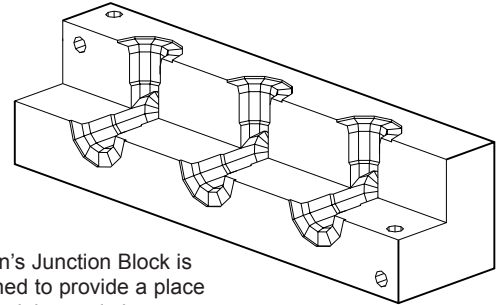
Junction Manifolds - 270° Design Page 190-191

Header Block



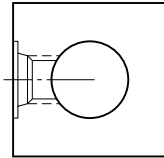
Daman's Header Block is designed to provide outlet ports that are common to one header (thru) port. The header port is always one size larger than the outlet ports.

Junction Block

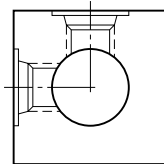


Daman's Junction Block is designed to provide a place to join piping and change direction or split / combine with other lines.

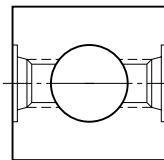
Available Header Block Configurations



0° design
See pages 180-181

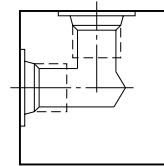


90° design
See pages 182-183

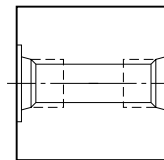


180° design
See pages 184-185

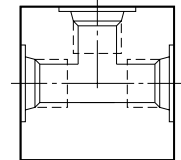
Available Junction Block Configurations



90° design
See pages 186-187



180° design
See pages 188-189



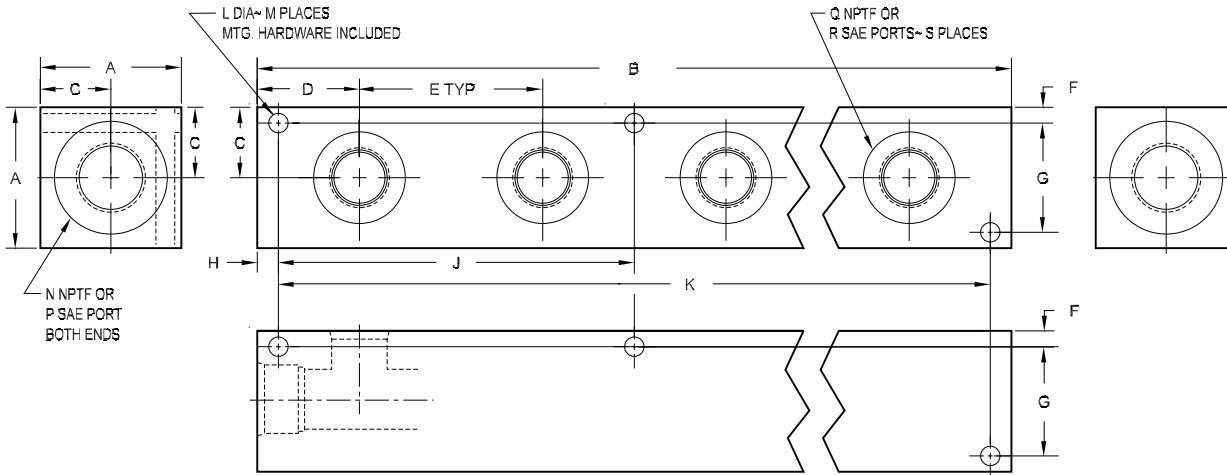
270° design
See pages 190-191

Header Block Mounting Hardware	Port Size	Mounting bolts
	01P	(2) or (3) UNC #10-24 x 1.50 long SHCS
	02P	(2) or (3) UNC 0.25-20 x 2.00 long SHCS
	04*, 06S	(2) or (3) UNC 0.25-20 x 2.25 long SHCS
	06P, 08P	(2) or (3) UNC 0.25-20 x 2.50 long SHCS
	08S	(2) or (3) UNC 0.25-20 x 2.75 long SHCS
	12*	(2) or (3) UNC 0.31-18 x 3.00 long SHCS
	16*	(2) or (3) UNC 0.38-16 x 3.50 long SHCS
	20*	(2) or (3) UNC 0.50-13 x 4.50 long SHCS
	24P	(2) or (3) UNC 0.50-13 x 5.00 long SHCS
	24S	(2) or (3) UNC 0.50-13 x 5.50 long SHCS

Junction Block Mounting Hardware	Port Size	Mounting bolts
	04*	(2) or (3) UNC 0.25-20 x 2.25 long SHCS
	06*	(2) or (3) UNC 0.25-20 x 2.25 long SHCS
	08*	(2) or (3) UNC 0.25-20 x 2.50 long SHCS
	12*	(2) or (3) UNC 0.31-18 x 3.00 long SHCS
	16*	(2) or (3) UNC 0.38-16 x 3.50 long SHCS
	20*	(2) or (3) UNC 0.50-13 x 4.50 long SHCS
	24*	(2) or (3) UNC 0.50-13 x 5.00 long SHCS

Header Manifolds - 0° Design

Header block mounting hardware is supplied.
See page 179 for itemized list.



Specifications, descriptions, and dimensional data are subject to correction or change without notice or incurring obligation. Download latest catalog page revisions at www.daman.com.

Ordering Information

Material	Product Type	Side Port Layout	No. of Stations	Side Port Threads																																																			
<table border="1"> <thead> <tr> <th colspan="2">Material</th> </tr> </thead> <tbody> <tr> <td>A</td> <td>Aluminum - 6061-T6 3000[†] psi • 20.7 MPa</td> </tr> <tr> <td>D</td> <td>Ductile Iron - D4512 5000[†] psi • 34.5 MPa</td> </tr> <tr> <td colspan="2">[†] Working pressure should be considered in accordance with ISO 4413 to determine appropriate material type.</td> </tr> </tbody> </table>	Material		A	Aluminum - 6061-T6 3000 [†] psi • 20.7 MPa	D	Ductile Iron - D4512 5000 [†] psi • 34.5 MPa	[†] Working pressure should be considered in accordance with ISO 4413 to determine appropriate material type.		<table border="1"> <thead> <tr> <th colspan="2">Product Type</th> </tr> </thead> <tbody> <tr> <td>H</td> <td>Header Block</td> </tr> </tbody> </table>	Product Type		H	Header Block	<table border="1"> <thead> <tr> <th colspan="2">Side Port Layout</th> </tr> </thead> <tbody> <tr> <td>000</td> <td>Ports out one side only</td> </tr> </tbody> </table>	Side Port Layout		000	Ports out one side only	<table border="1"> <thead> <tr> <th colspan="2">No. of Stations</th> </tr> </thead> <tbody> <tr> <td>02</td> <td rowspan="6">Check chart on next page to verify station-port size combinations and stock status</td> </tr> <tr> <td>03</td> </tr> <tr> <td>04</td> </tr> <tr> <td>06</td> </tr> <tr> <td>08</td> </tr> <tr> <td>10</td> </tr> </tbody> </table>	No. of Stations		02	Check chart on next page to verify station-port size combinations and stock status	03	04	06	08	10	<table border="1"> <thead> <tr> <th colspan="3">Side Port Threads</th> </tr> </thead> <tbody> <tr> <td>01P</td> <td rowspan="10">NPTF ANSI B1.20.3</td> <td>04S</td> </tr> <tr> <td>02P</td> <td>06S</td> </tr> <tr> <td>04P</td> <td>08S</td> </tr> <tr> <td>06P</td> <td>12S</td> </tr> <tr> <td>08P</td> <td>16S</td> </tr> <tr> <td>12P</td> <td>20S</td> </tr> <tr> <td>16P</td> <td>24S</td> </tr> <tr> <td>20P</td> <td rowspan="2">Check chart on next page to verify station-port size combinations</td> <td></td> </tr> <tr> <td>24P</td> <td></td> </tr> <tr> <td></td> <td></td> <td>SAE ISO 11926 SAE 1926</td> </tr> </tbody> </table>	Side Port Threads			01P	NPTF ANSI B1.20.3	04S	02P	06S	04P	08S	06P	12S	08P	16S	12P	20S	16P	24S	20P	Check chart on next page to verify station-port size combinations		24P				SAE ISO 11926 SAE 1926
Material																																																							
A	Aluminum - 6061-T6 3000 [†] psi • 20.7 MPa																																																						
D	Ductile Iron - D4512 5000 [†] psi • 34.5 MPa																																																						
[†] Working pressure should be considered in accordance with ISO 4413 to determine appropriate material type.																																																							
Product Type																																																							
H	Header Block																																																						
Side Port Layout																																																							
000	Ports out one side only																																																						
No. of Stations																																																							
02	Check chart on next page to verify station-port size combinations and stock status																																																						
03																																																							
04																																																							
06																																																							
08																																																							
10																																																							
Side Port Threads																																																							
01P	NPTF ANSI B1.20.3	04S																																																					
02P		06S																																																					
04P		08S																																																					
06P		12S																																																					
08P		16S																																																					
12P		20S																																																					
16P		24S																																																					
20P		Check chart on next page to verify station-port size combinations																																																					
24P																																																							
			SAE ISO 11926 SAE 1926																																																				

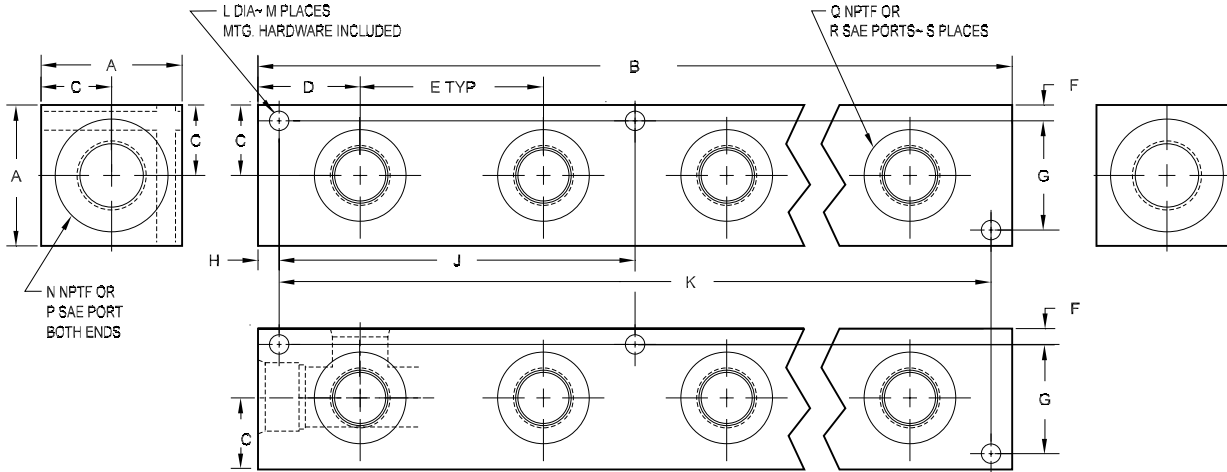
Header Manifolds - 0° Design

PART NO.	A	B	C	D	E	F	G	H	J	K	L	M	N	P	Q	R	S
*H0000401P	1.25	5.75 [146.1]	0.63	1.00	1.25	0.17	0.91	0.31	--	5.13 [130.2]	0.22	4					4
*H0000601P	[31.8]	8.25 [209.6]	[16.0]	[25.4]	[31.8]	[4.4]	[23.0]	[7.9]	3.81 [96.8]	7.63 [193.7]	[5.6]	6	1/8	--	1/16	--	6
*H0000801P		10.75 [273.1]							5.06 [128.6]	10.13 [257.2]		6					8
*H0001001P		13.25 [336.6]							6.31 [160.3]	12.63 [320.7]		6					10
*H0000302P	1.50	5.00 [127.0]	0.75	1.13	1.38	0.25	1.00	0.31	--	4.38 [111.3]	0.28	4	1/4	--	1/8	--	3
*H0000402P	[38.1]	6.38 [161.9]	[19.1]	[28.6]	[35.1]	[6.4]	[25.4]	[7.9]	--	5.75 [146.1]	[7.1]	4					4
*H0000602P		9.13 [231.8]							4.25 [108.0]	8.50 [215.9]		6					6
*H0000802P		11.88 [301.6]							5.63 [142.9]	11.25 [285.8]		6					8
*H0001002P		14.63 [371.5]							7.00 [177.8]	14.00 [355.6]		6					10
H0000304	1.75	5.63 [142.9]	0.88	1.06	1.75	0.25	1.25	0.31	--	5.00 [127.0]	0.28	4	3/8	-6	1/4	-4	3
H0000404	[44.5]	7.38 [187.3]	[22.2]	[27.0]	[44.5]	[6.4]	[31.8]	[7.9]	--	6.75 [171.5]	[7.1]	4					4
H0000604		10.88 [276.2]							5.13 [130.2]	10.25 [260.4]		6					6
H0000804		14.38 [365.1]							6.88 [174.6]	13.75 [349.3]		6					8
H0001004		17.88 [454.0]							8.63 [219.1]	17.25 [438.2]		6					10
*H0000206P	2.00	5.00 [127.0]	1.00	1.50	2.00	0.25	1.50	0.31	--	4.38 [111.1]	0.28	4	1/2	-8	3/8	-6	2
*H0000306P	[50.8]	7.00 [177.8]	[25.4]	[38.1]	[50.8]	[6.4]	[38.1]	[7.9]	--	6.38 [161.9]	[7.1]	4					3
*H0000406P		9.00 [228.6]							--	8.38 [212.7]		4					4
*H0000606P		13.00 [330.2]							6.19 [157.2]	12.38 [314.3]		6					6
*H0000806P		17.00 [431.8]							8.19 [208.0]	16.38 [415.9]		6					8
*H0001006P		21.00 [533.4]							10.19 [258.8]	20.38 [517.5]		6					10
*H0000206S	1.75	5.00 [127.0]	0.88	1.50	2.00	0.25	1.25	0.31	--	4.38 [111.1]	0.28	4	1/2	-8	3/8	-6	2
*H0000306S	[44.5]	7.00 [177.8]	[22.2]	[38.1]	[50.8]	[6.4]	[31.8]	[7.9]	--	6.38 [161.9]	[7.1]	4					3
*H0000406S		9.00 [228.6]							--	8.38 [212.7]		4					4
*H0000606S		13.00 [330.2]							6.19 [157.2]	12.38 [314.3]		6					6
*H0000806S		17.00 [431.8]							8.19 [208.0]	16.38 [415.9]		6					8
*H0001006S		21.00 [533.4]							10.19 [258.8]	20.38 [517.5]		6					10
*H0000208P	2.00	5.38 [136.5]	1.00	1.50	2.38	0.25	1.50	0.31	--	4.75 [120.7]	0.28	4	3/4	-12	1/2	-8	2
*H0000308P	[50.8]	7.75 [196.9]	[25.4]	[38.1]	[60.3]	[6.4]	[38.1]	[7.9]	--	7.13 [181.0]	[7.1]	4					3
*H0000408P		10.13 [257.2]							--	9.50 [241.3]		4					4
*H0000608P		14.88 [377.8]							7.13 [181.0]	14.25 [362.0]		6					6
*H0000808P		19.63 [498.5]							9.50 [241.3]	19.00 [482.6]		6					8
*H0001008P		24.38 [619.1]							11.88 [301.6]	23.75 [603.3]		6					10
*H0000208S	2.25	5.38 [136.5]	1.13	1.50	2.38	0.25	1.75	0.31	--	4.75 [120.7]	0.28	4	3/4	-12	1/2	-8	2
*H0000308S	[57.2]	7.75 [196.9]	[28.6]	[38.1]	[60.3]	[6.4]	[44.5]	[7.9]	--	7.13 [181.0]	[7.1]	4					3
*H0000408S		10.13 [257.2]							--	9.50 [241.3]		4					4
*H0000608S		14.88 [377.8]							7.13 [181.0]	14.25 [362.0]		6					6
*H0000808S		19.63 [498.5]							9.50 [241.3]	19.00 [482.6]		6					8
*H0001008S		24.38 [619.1]							11.88 [301.6]	23.75 [603.3]		6					10
H0000212	2.50	6.88 [174.6]	1.25	1.81	3.25	0.28	1.94	0.38	--	6.13 [155.6]	0.34	4	1"	-16	3/4	-12	2
H0000312	[63.5]	10.13 [257.2]	[31.8]	[46.0]	[82.6]	[7.1]	[49.2]	[9.5]	--	9.38 [238.1]	[8.7]	4					3
H0000412		13.38 [339.7]							--	12.63 [320.7]		4					4
H0000612		19.88 [504.8]							9.56 [242.9]	19.13 [485.8]		6					6
H0000812		26.38 [669.9]							12.81 [325.4]	25.63 [650.9]		6					8
H0001012		32.88 [835.0]							16.06 [408.0]	32.13 [816.0]		6					10
H0000216	3.00	7.75 [197.0]	1.50	2.00	3.75	0.34	2.31	0.38	--	7.00 [177.8]	0.41	4	1-1/4	-20	1"	-16	2
H0000316	[76.2]	11.50 [292.1]	[38.1]	[50.8]	[95.3]	[8.7]	[58.7]	[9.5]	--	10.75 [273.1]	[10.3]	4					3
H0000416		15.25 [387.4]							--	14.50 [368.3]		4					4
H0000616		22.75 [577.9]							11.00 [279.4]	22.00 [558.8]		6					6
H0000816		30.25 [768.4]							14.75 [374.7]	29.50 [749.3]		6					8
H0001016		37.75 [958.9]							18.50 [469.9]	37.00 [939.8]		6					10
H0000220	3.50	8.50 [215.9]	1.75	2.25	4.00	0.41	2.69	0.50	--	7.50 [190.5]	0.53	4	1-1/2	-24	1-1/4	-20	2
H0000320	[88.9]	12.50 [317.5]	[44.5]	[57.2]	[101.6]	[10.3]	[68.3]	[12.7]	--	11.50 [292.1]	[13.5]	4					3
H0000420		16.50 [419.1]							--	15.50 [393.7]		4					4
H0000620		24.50 [622.3]							11.75 [298.5]	23.50 [596.9]		6					6
H0000820		32.50 [825.5]							15.75 [400.1]	31.50 [800.1]		6					8
*H0000224P	4.00	10.00 [254.0]	2.00	2.50	5.00	0.41	3.19	0.50	--	9.00 [228.6]	0.53	4	2"	-32	1-1/2	-24	2
*H0000324P	[101.6]	15.00 [381.0]	[50.8]	[63.5]	[127.0]	[10.3]	[81.0]	[12.7]	--	14.00 [355.6]	[13.5]	4					3
*H0000424P		20.00 [508.0]							9.50 [241.3]	19.00 [482.6]		6					4
*H0000624P		30.00 [762.0]							14.50 [368.3]	29.00 [736.6]		6					6
*H0000224S	4.50	10.00 [254.0]	2.25	2.50	5.00	0.41	3.69	0.50	--	9.00 [228.6]	0.53	4	2"	-32	1-1/2	-24	2
*H0000324S	[114.3]	15.00 [381.0]	[57.2]	[63.5]	[127.0]	[10.3]	[93.7]	[12.7]	--	14.00 [355.6]	[13.5]	4					3
*H0000424S		20.00 [508.0]							9.50 [241.3]	19.00 [482.6]		6					4
*H0000624S		30.00 [762.0]							14.50 [368.3]	29.00 [736.6]		6					6

Custom Products
 Standard Manifolds
 Cover Plates
 Valve Adaptors
 Subplates
 Servo Valve Subplates
 Tapping Plates
 DIN Cartridge Valve Bodies
 Header and Junction Blocks
 Technical Information

Header Manifolds - 90° Design

Header block mounting hardware is supplied.
See page 179 for itemized list.



Specifications, descriptions, and dimensional data are subject to correction or change without notice or incurring obligation. Download latest catalog page revisions at www.daman.com.

Ordering Information

Material	Product Type	Side Port Layout	No. of Stations	Side Port Threads																																																		
<table border="1"> <thead> <tr> <th colspan="2">Material</th> </tr> </thead> <tbody> <tr> <td>A</td> <td>Aluminum - 6061-T6 3000[†] psi • 20.7 MPa</td> </tr> <tr> <td>D</td> <td>Ductile Iron - D4512 5000[†] psi • 34.5 MPa</td> </tr> <tr> <td colspan="2">[†] Working pressure should be considered in accordance with ISO 4413 to determine appropriate material type.</td> </tr> </tbody> </table>	Material		A	Aluminum - 6061-T6 3000 [†] psi • 20.7 MPa	D	Ductile Iron - D4512 5000 [†] psi • 34.5 MPa	[†] Working pressure should be considered in accordance with ISO 4413 to determine appropriate material type.		<table border="1"> <thead> <tr> <th colspan="2">Product Type</th> </tr> </thead> <tbody> <tr> <td>H</td> <td>Header Block</td> </tr> </tbody> </table>	Product Type		H	Header Block	<table border="1"> <thead> <tr> <th colspan="2">Side Port Layout</th> </tr> </thead> <tbody> <tr> <td>090</td> <td>Ports out two adjacent sides</td> </tr> </tbody> </table>	Side Port Layout		090	Ports out two adjacent sides	<table border="1"> <thead> <tr> <th colspan="2">No. of Stations</th> </tr> </thead> <tbody> <tr> <td>02</td> <td rowspan="6">Check chart on next page to verify station-port size combinations and stock status</td> </tr> <tr> <td>03</td> </tr> <tr> <td>04</td> </tr> <tr> <td>06</td> </tr> <tr> <td>08</td> </tr> <tr> <td>10</td> </tr> </tbody> </table>	No. of Stations		02	Check chart on next page to verify station-port size combinations and stock status	03	04	06	08	10	<table border="1"> <thead> <tr> <th colspan="4">Side Port Threads</th> </tr> </thead> <tbody> <tr> <td>04P</td> <td rowspan="6">NPTF ANSI B1.20.3</td> <td>04S</td> <td rowspan="6">SAE ISO 11926 SAE 1926</td> </tr> <tr> <td>06P</td> <td>06S</td> </tr> <tr> <td>08P</td> <td>08S</td> </tr> <tr> <td>12P</td> <td>12S</td> </tr> <tr> <td>16P</td> <td>16S</td> </tr> <tr> <td>20P</td> <td>20S</td> </tr> <tr> <td>24P</td> <td>24S</td> <td></td> </tr> <tr> <td colspan="4">Check chart on next page to verify station-port size combinations</td> </tr> </tbody> </table>	Side Port Threads				04P	NPTF ANSI B1.20.3	04S	SAE ISO 11926 SAE 1926	06P	06S	08P	08S	12P	12S	16P	16S	20P	20S	24P	24S		Check chart on next page to verify station-port size combinations			
Material																																																						
A	Aluminum - 6061-T6 3000 [†] psi • 20.7 MPa																																																					
D	Ductile Iron - D4512 5000 [†] psi • 34.5 MPa																																																					
[†] Working pressure should be considered in accordance with ISO 4413 to determine appropriate material type.																																																						
Product Type																																																						
H	Header Block																																																					
Side Port Layout																																																						
090	Ports out two adjacent sides																																																					
No. of Stations																																																						
02	Check chart on next page to verify station-port size combinations and stock status																																																					
03																																																						
04																																																						
06																																																						
08																																																						
10																																																						
Side Port Threads																																																						
04P	NPTF ANSI B1.20.3	04S	SAE ISO 11926 SAE 1926																																																			
06P		06S																																																				
08P		08S																																																				
12P		12S																																																				
16P		16S																																																				
20P		20S																																																				
24P	24S																																																					
Check chart on next page to verify station-port size combinations																																																						

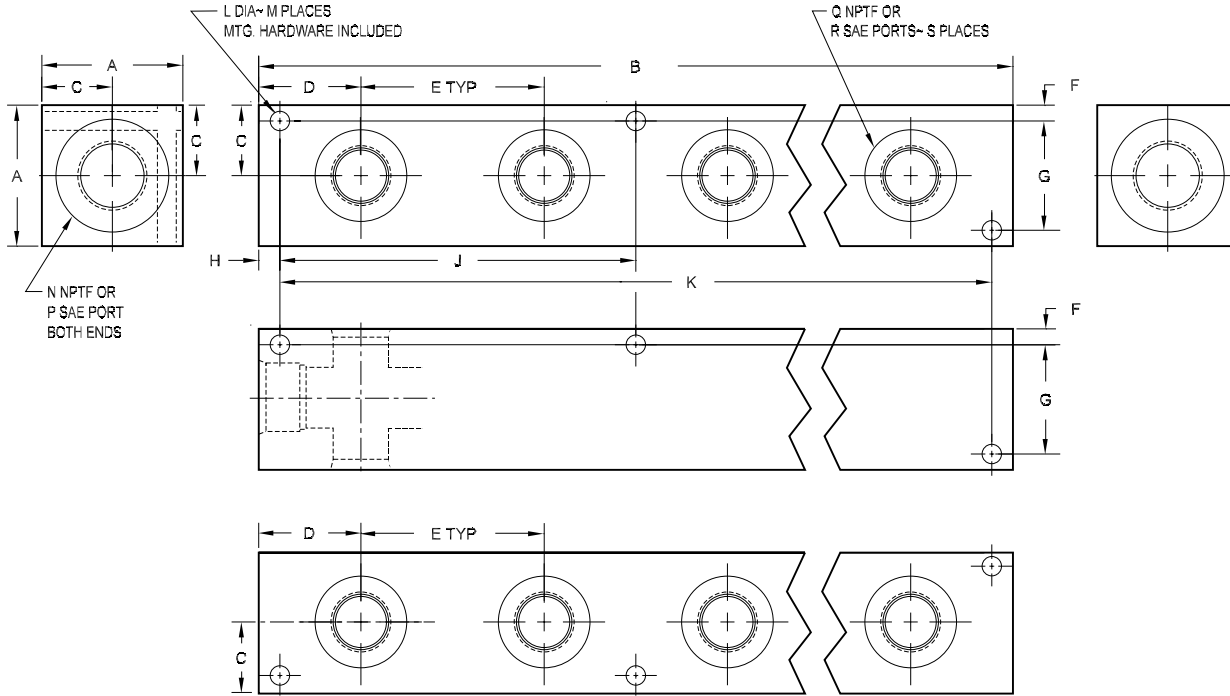
Header Manifolds - 90° Design

PART NO.	A	B	C	D	E	F	G	H	J	K	L	M	N	P	Q	R	S
H0900304		5.63 [142.9]							--	5.00 [127.0]		4					6
H0900404	1.75	7.38 [187.3]							--	6.75 [171.5]		4					8
H0900604	[44.5]	10.88 [276.2]	0.88	1.06	1.75	0.25	1.25	0.31	5.13 [130.2]	10.25 [260.4]	0.28	6	3/8	-6	1/4	-4	12
H0900804		14.38 [365.1]	[22.2]	[27.0]	[44.5]	[6.4]	[31.8]	[7.9]	6.88 [174.6]	13.75 [349.3]	[7.1]	6					16
H0901004		17.88 [454.0]							8.63 [219.1]	17.25 [438.2]		6					20
*H0900206P		5.00 [127.0]							--	4.38 [111.1]		4					4
*H0900306P		7.00 [177.8]							--	6.38 [161.9]		4					6
*H0900406P	2.00	9.00 [228.6]	1.00	1.50	2.00	0.25	1.50	0.31	--	8.38 [212.7]	0.28	4	1/2	-8	3/8	-6	8
*H0900606P	[50.8]	13.00 [330.2]	[25.4]	[38.1]	[50.8]	[6.4]	[38.1]	[7.9]	6.19 [157.2]	12.38 [314.3]	[7.1]	6					12
*H0900806P		17.00 [431.8]							8.19 [208.0]	16.38 [415.9]		6					16
*H0901006P		21.00 [533.4]							10.19 [258.8]	20.38 [517.5]		6					20
*H0900206S		5.00 [127.0]							--	4.38 [111.1]		4					4
*H0900306S		7.00 [177.8]							--	6.38 [161.9]		4					6
*H0900406S	1.75	9.00 [228.6]	0.88	1.50	2.00	0.25	1.25	0.31	--	8.38 [212.7]	0.28	4	1/2	-8	3/8	-6	8
*H0900606S	[44.5]	13.00 [330.2]	[22.2]	[38.1]	[50.8]	[6.4]	[31.8]	[7.9]	6.19 [157.2]	12.38 [314.3]	[7.1]	6					12
*H0900806S		17.00 [431.8]							8.19 [208.0]	16.38 [415.9]		6					16
*H0901006S		21.00 [533.4]							10.19 [258.8]	20.38 [517.5]		6					20
*H0900208P		5.38 [136.5]							--	4.75 [120.7]		4					4
*H0900308P		7.75 [196.9]							--	7.13 [181.0]		4					6
*H0900408P	2.00	10.13 [257.2]	1.00	1.50	2.38	0.25	1.50	0.31	--	9.50 [241.3]	0.28	4	3/4	-12	1/2	-8	8
*H0900608P	[50.8]	14.88 [377.8]	[25.4]	[38.1]	[60.3]	[6.4]	[38.1]	[7.9]	7.13 [181.0]	14.25 [362.0]	[7.1]	6					12
*H0900808P		19.63 [498.5]							9.50 [241.3]	19.00 [482.6]		6					16
*H0901008P		24.38 [619.1]							11.88 [301.6]	23.75 [603.3]		6					20
*H0900208S		5.38 [136.5]							--	4.75 [120.7]		4					4
*H0900308S		7.75 [196.9]							--	7.13 [181.0]		4					6
*H0900408S	2.25	10.13 [257.2]	1.13	1.50	2.38	0.25	1.75	0.31	--	9.50 [241.3]	0.28	4	3/4	-12	1/2	-8	8
*H0900608S	[57.2]	14.88 [377.8]	[28.6]	[38.1]	[60.3]	[6.4]	[44.5]	[7.9]	7.13 [181.0]	14.25 [362.0]	[7.1]	6					12
*H0900808S		19.63 [498.5]							9.50 [241.3]	19.00 [482.6]		6					16
*H0901008S		24.38 [619.1]							11.88 [301.6]	23.75 [603.3]		6					20
H0900212		6.88 [174.6]							--	6.13 [155.6]		4					4
H0900312		10.13 [257.2]							--	9.38 [238.1]		4					6
H0900412	2.50	13.38 [339.7]	1.25	1.81	3.25	0.28	1.94	0.38	--	12.63 [320.7]	0.34	4	1"	-16	3/4	-12	8
H0900612	[63.5]	19.88 [504.8]	[31.8]	[46.0]	[82.6]	[7.1]	[49.2]	[9.5]	9.56 [242.9]	19.13 [485.8]	[8.7]	6					12
H0900812		26.38 [669.9]							12.81 [325.4]	25.63 [650.9]		6					16
H0901012		32.88 [835.0]							16.06 [408.0]	32.13 [816.0]		6					20
H0900216		7.75 [197.0]							--	7.00 [177.8]		4					4
H0900316		11.50 [292.1]							--	10.75 [273.1]		4					6
H0900416	3.00	15.25 [387.4]	1.50	2.00	3.75	0.34	2.31	0.38	--	14.50 [368.3]	0.41	4	1-1/4	-20	1"	-16	8
H0900616	[76.2]	22.75 [577.9]	[38.1]	[50.8]	[95.3]	[8.7]	[58.7]	[9.5]	11.00 [279.4]	22.00 [558.8]	[10.3]	6					12
H0900816		30.25 [768.4]							14.75 [374.7]	29.50 [749.3]		6					16
H0901016		37.75 [958.9]							18.50 [469.9]	37.00 [939.8]		6					20
H0900220		8.50 [215.9]							--	7.50 [190.5]		4					4
H0900320		12.50 [317.5]							--	11.50 [292.1]		4					6
H0900420	3.50	16.50 [419.1]	1.75	2.25	4.00	0.41	2.69	0.50	--	15.50 [393.7]	0.53	4	1-1/2	-24	1-1/4	-20	8
H0900620	[88.9]	24.50 [622.3]	[44.5]	[57.2]	[101.6]	[10.3]	[68.3]	[12.7]	11.75 [298.5]	23.50 [596.9]	[13.5]	6					12
H0900820		32.50 [825.5]							15.75 [400.1]	31.50 [800.1]		6					16
*H0900224P		10.00 [254.0]							--	9.00 [228.6]		4					4
*H0900324P	4.00	15.00 [381.0]	2.00	2.50	5.00	0.41	3.19	0.50	--	14.00 [355.6]	0.53	4	2"	-32	1-1/2	-24	6
*H0900424P	[101.6]	20.00 [508.0]	[50.8]	[63.5]	[127.0]	[10.3]	[81.0]	[12.7]	9.50 [241.3]	19.00 [482.6]	[13.5]	6					8
*H0900624P		30.00 [762.0]							14.50 [368.3]	29.00 [736.6]		6					12
*H0900224S		10.00 [254.0]							--	9.00 [228.6]		4					4
*H0900324S	4.50	15.00 [381.0]	2.25	2.50	5.00	0.41	3.69	0.50	--	14.00 [355.6]	0.53	4	2"	-32	1-1/2	-24	6
*H0900424S	[114.3]	20.00 [508.0]	[57.2]	[63.5]	[127.0]	[10.3]	[93.7]	[12.7]	9.50 [241.3]	19.00 [482.6]	[13.5]	6					8
*H0900624S		30.00 [762.0]							14.50 [368.3]	29.00 [736.6]		6					12

Custom Products
 Standard Manifolds
 Cover Plates
 Valve Adaptors
 Subplates
 Servo Valve Subplates
 Tapping Plates
 DIN Cartridge Valve Bodies
 Header and Junction Blocks
 Technical Information

Header Manifolds - 180° Design

Header block mounting hardware is supplied.
See page 179 for itemized list.



Specifications, descriptions, and dimensional data are subject to correction or change without notice or incurring obligation. Download latest catalog page revisions at www.daman.com.

Ordering Information

Material	Product Type	Side Port Layout	No. of Stations	Side Port Threads																																															
<table border="1"> <thead> <tr> <th colspan="2">Material</th> </tr> </thead> <tbody> <tr> <td>A</td> <td>Aluminum - 6061-T6 3000† psi • 20.7 MPa</td> </tr> <tr> <td>D</td> <td>Ductile Iron - D4512 5000† psi • 34.5 MPa</td> </tr> <tr> <td colspan="2">† Working pressure should be considered in accordance with ISO 4413 to determine appropriate material type.</td> </tr> </tbody> </table>	Material		A	Aluminum - 6061-T6 3000† psi • 20.7 MPa	D	Ductile Iron - D4512 5000† psi • 34.5 MPa	† Working pressure should be considered in accordance with ISO 4413 to determine appropriate material type.		<table border="1"> <thead> <tr> <th colspan="2">Product Type</th> </tr> </thead> <tbody> <tr> <td>H</td> <td>Header Block</td> </tr> </tbody> </table>	Product Type		H	Header Block	<table border="1"> <thead> <tr> <th colspan="2">Side Port Layout</th> </tr> </thead> <tbody> <tr> <td>180</td> <td>Ports out two opposite sides</td> </tr> </tbody> </table>	Side Port Layout		180	Ports out two opposite sides	<table border="1"> <thead> <tr> <th colspan="2">No. of Stations</th> </tr> </thead> <tbody> <tr> <td>02</td> <td rowspan="6">Check chart on next page to verify station-port size combinations and stock status</td> </tr> <tr> <td>03</td> </tr> <tr> <td>04</td> </tr> <tr> <td>06</td> </tr> <tr> <td>08</td> </tr> <tr> <td>10</td> </tr> </tbody> </table>	No. of Stations		02	Check chart on next page to verify station-port size combinations and stock status	03	04	06	08	10	<table border="1"> <thead> <tr> <th colspan="4">Side Port Threads</th> </tr> </thead> <tbody> <tr> <td>04P</td> <td rowspan="6">NPTF ANSI B1.20.3</td> <td>04S</td> <td rowspan="6">SAE ISO 11926 SAE 1926</td> </tr> <tr> <td>06P</td> <td>06S</td> </tr> <tr> <td>08P</td> <td>08S</td> </tr> <tr> <td>12P</td> <td>12S</td> </tr> <tr> <td>16P</td> <td>16S</td> </tr> <tr> <td>20P</td> <td>20S</td> </tr> <tr> <td>24P</td> <td>24S</td> <td colspan="2">Check chart on next page to verify station-port size combinations</td> </tr> </tbody> </table>	Side Port Threads				04P	NPTF ANSI B1.20.3	04S	SAE ISO 11926 SAE 1926	06P	06S	08P	08S	12P	12S	16P	16S	20P	20S	24P	24S	Check chart on next page to verify station-port size combinations	
Material																																																			
A	Aluminum - 6061-T6 3000† psi • 20.7 MPa																																																		
D	Ductile Iron - D4512 5000† psi • 34.5 MPa																																																		
† Working pressure should be considered in accordance with ISO 4413 to determine appropriate material type.																																																			
Product Type																																																			
H	Header Block																																																		
Side Port Layout																																																			
180	Ports out two opposite sides																																																		
No. of Stations																																																			
02	Check chart on next page to verify station-port size combinations and stock status																																																		
03																																																			
04																																																			
06																																																			
08																																																			
10																																																			
Side Port Threads																																																			
04P	NPTF ANSI B1.20.3	04S	SAE ISO 11926 SAE 1926																																																
06P		06S																																																	
08P		08S																																																	
12P		12S																																																	
16P		16S																																																	
20P		20S																																																	
24P	24S	Check chart on next page to verify station-port size combinations																																																	

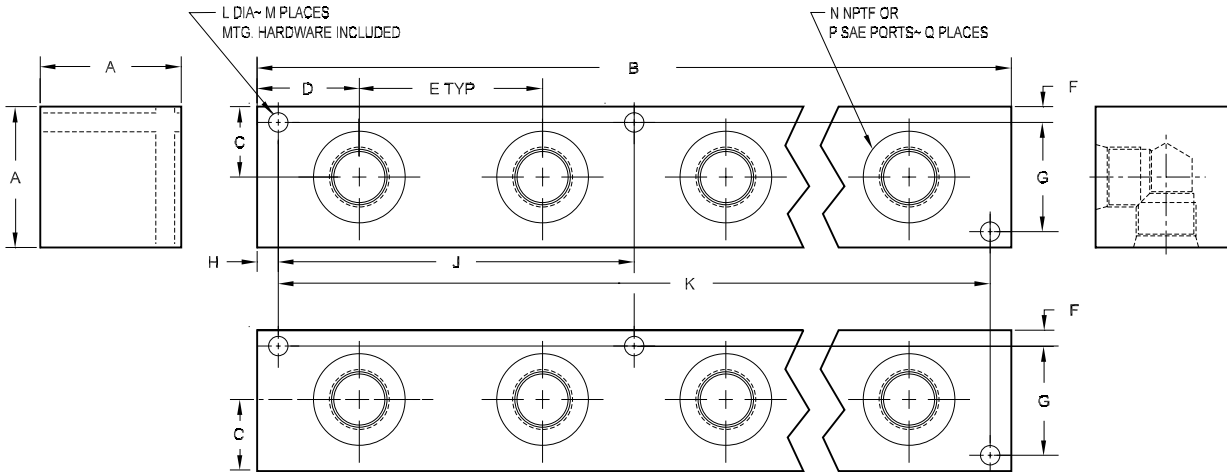
Header Manifolds - 180° Design

PART NO.	A	B	C	D	E	F	G	H	J	K	L	M	N	P	Q	R	S
H1800304		5.63 [142.9]							--	5.00 [127.0]		4					6
H1800404		7.38 [187.3]							--	6.75 [171.5]		4					8
H1800604	1.75	10.88 [276.2]	0.88	1.06	1.75	0.25	1.25	0.31	5.13 [130.2]	10.25 [260.4]	0.28	4	3/8	-6	1/4	-4	12
H1800804	[44.5]	14.38 [365.1]	[22.2]	[27.0]	[44.5]	[6.4]	[31.8]	[7.9]	6.88 [174.6]	13.75 [349.3]	[7.1]	6					16
H1801004		17.88 [454.0]							8.63 [219.1]	17.25 [438.2]		6					20
*H1800206P		5.00 [127.0]							--	4.38 [111.1]		4					4
*H1800306P		7.00 [177.8]							--	6.38 [161.9]		4					6
*H1800406P	2.00	9.00 [228.6]	1.00	1.50	2.00	0.25	1.50	0.31	--	8.38 [212.7]	0.28	4	1/2	-8	3/8	-6	8
*H1800606P	[50.8]	13.00 [330.2]	[25.4]	[38.1]	[50.8]	[6.4]	[38.1]	[7.9]	6.19 [157.2]	12.38 [314.3]	[7.1]	6					12
*H1800806P		17.00 [431.8]							8.19 [208.0]	16.38 [415.9]		6					16
*H1801006P		21.00 [533.4]							10.19 [258.8]	20.38 [517.5]		6					20
*H1800206S		5.00 [127.0]							--	4.38 [111.1]		4					4
*H1800306S		7.00 [177.8]							--	6.38 [161.9]		4					6
*H1800406S	1.75	9.00 [228.6]	0.88	1.50	2.00	0.25	1.25	0.31	--	8.38 [212.7]	0.28	4	1/2	-8	3/8	-6	8
*H1800606S	[44.5]	13.00 [330.2]	[22.2]	[38.1]	[50.8]	[6.4]	[31.8]	[7.9]	6.19 [157.2]	12.38 [314.3]	[7.1]	6					12
*H1800806S		17.00 [431.8]							8.19 [208.0]	16.38 [415.9]		6					16
*H1801006S		21.00 [533.4]							10.19 [258.8]	20.38 [517.5]		6					20
*H1800208P		5.38 [136.5]							--	4.75 [120.7]		4					4
*H1800308P		7.75 [196.9]							--	7.13 [181.0]		4					6
*H1800408P	2.00	10.13 [257.2]	1.00	1.50	2.38	0.25	1.50	0.31	--	9.50 [241.3]	0.28	4	3/4	-12	1/2	-8	8
*H1800608P	[50.8]	14.88 [377.8]	[25.4]	[38.1]	[60.3]	[6.4]	[38.1]	[7.9]	7.13 [181.0]	14.25 [362.0]	[7.1]	6					12
*H1800808P		19.63 [498.5]							9.50 [241.3]	19.00 [482.6]		6					16
*H1801008P		24.38 [619.1]							11.88 [301.6]	23.75 [603.3]		6					20
*H1800208S		5.38 [136.5]							--	4.75 [120.7]		4					4
*H1800308S		7.75 [196.9]							--	7.13 [181.0]		4					6
*H1800408S	2.25	10.13 [257.2]	1.13	1.50	2.38	0.25	1.75	0.31	--	9.50 [241.3]	0.28	4	3/4	-12	1/2	-8	8
*H1800608S	[57.2]	14.88 [377.8]	[28.6]	[38.1]	[60.3]	[6.4]	[44.5]	[7.9]	7.13 [181.0]	14.25 [362.0]	[7.1]	6					12
*H1800808S		19.63 [498.5]							9.50 [241.3]	19.00 [482.6]		6					16
*H1801008S		24.38 [619.1]							11.88 [301.6]	23.75 [603.3]		6					20
H1800212		6.88 [174.6]							--	6.13 [155.6]		4					4
H1800312		10.13 [257.2]							--	9.38 [238.1]		4					6
H1800412	2.50	13.38 [339.7]	1.25	1.81	3.25	0.28	1.94	0.38	--	12.63 [320.7]	0.34	4	1"	-16	3/4	-12	8
H1800612	[63.5]	19.88 [504.8]	[31.8]	[46.0]	[82.6]	[7.1]	[49.2]	[9.5]	9.56 [242.9]	19.13 [485.8]	[8.7]	6					12
H1800812		26.38 [669.9]							12.81 [325.4]	25.63 [650.9]		6					16
H1801012		32.88 [835.0]							16.06 [408.0]	32.13 [816.0]		6					20
H1800216		7.75 [197.0]							--	7.00 [177.8]		4					4
H1800316		11.50 [292.1]							--	10.75 [273.1]		4					6
H1800416	3.00	15.25 [387.4]	1.50	2.00	3.75	0.34	2.31	0.38	--	14.50 [368.3]	0.41	4	1-1/4	-20	1"	-16	8
H1800616	[76.2]	22.75 [577.9]	[38.1]	[50.8]	[95.3]	[8.7]	[58.7]	[9.5]	11.00 [279.4]	22.00 [558.8]	[10.3]	6					12
H1800816		30.25 [768.4]							14.75 [374.7]	29.50 [749.3]		6					16
H1801016		37.75 [958.9]							18.50 [469.9]	37.00 [939.8]		6					20
H1800220		8.50 [215.9]							--	7.50 [190.5]		4					4
H1800320		12.50 [317.5]							--	11.50 [292.1]		4					6
H1800420	3.50	16.50 [419.1]	1.75	2.25	4.00	0.41	2.69	0.50	--	15.50 [393.7]	0.53	4	1-1/2	-24	1-1/4	-20	8
H1800620	[88.9]	24.50 [622.3]	[44.5]	[57.2]	[101.6]	[10.3]	[68.3]	[12.7]	11.75 [298.5]	23.50 [596.9]	[13.5]	6					12
H1800820		32.50 [825.5]							15.75 [400.1]	31.50 [800.1]		6					16
*H1800224P		10.00 [254.0]							--	9.00 [228.6]		4					4
*H1800324P	4.00	15.00 [381.0]	2.00	2.50	5.00	0.41	3.19	0.50	--	14.00 [355.6]	0.53	4	2"	-32	1-1/2	-24	6
*H1800424P	[101.6]	20.00 [508.0]	[50.8]	[63.5]	[127.0]	[10.3]	[81.0]	[12.7]	9.50 [241.3]	19.00 [482.6]	[13.5]	6					8
*H1800624P		30.00 [762.0]							14.50 [368.3]	29.00 [736.6]		6					12
*H1800224S		10.00 [254.0]							--	9.00 [228.6]		4					4
*H1800324S	4.50	15.00 [381.0]	2.25	2.50	5.00	0.41	3.69	0.50	--	14.00 [355.6]	0.53	4	2"	-32	1-1/2	-24	6
*H1800424S	[114.3]	20.00 [508.0]	[57.2]	[63.5]	[127.0]	[10.3]	[93.7]	[12.7]	9.50 [241.3]	19.00 [482.6]	[13.5]	6					8
*H1800624S		30.00 [762.0]							14.50 [368.3]	29.00 [736.6]		6					12

Custom Products
 Standard Manifolds
 Cover Plates
 Valve Adaptors
 Subplates
 Servo Valve Subplates
 Tapping Plates
 DIN Cartridge Valve Bodies
 Header and Junction Blocks
 Technical Information

Junction Manifolds - 90° Design

Junction block mounting hardware is supplied.
See page 179 for itemized list.



Specifications, descriptions, and dimensional data are subject to correction or change without notice or incurring obligation. Download latest catalog page revisions at www.daman.com.

Ordering Information

Material	Product Type	Side Port Layout	No. of Stations	Side Port Threads																																																	
<table border="1"> <thead> <tr> <th colspan="2">Material</th> </tr> </thead> <tbody> <tr> <td>A</td> <td>Aluminum - 6061-T6 3000† psi • 20.7 MPa</td> </tr> <tr> <td>D</td> <td>Ductile Iron - D4512 5000† psi • 34.5 MPa</td> </tr> <tr> <td colspan="2">† Working pressure should be considered in accordance with ISO 4413 to determine appropriate material type.</td> </tr> </tbody> </table>	Material		A	Aluminum - 6061-T6 3000† psi • 20.7 MPa	D	Ductile Iron - D4512 5000† psi • 34.5 MPa	† Working pressure should be considered in accordance with ISO 4413 to determine appropriate material type.		<table border="1"> <thead> <tr> <th colspan="2">Product Type</th> </tr> </thead> <tbody> <tr> <td>J</td> <td>Junction Block</td> </tr> </tbody> </table>	Product Type		J	Junction Block	<table border="1"> <thead> <tr> <th colspan="2">Side Port Layout</th> </tr> </thead> <tbody> <tr> <td>090</td> <td>Ports out two adjacent sides</td> </tr> </tbody> </table>	Side Port Layout		090	Ports out two adjacent sides	<table border="1"> <thead> <tr> <th colspan="2">No. of Stations</th> </tr> </thead> <tbody> <tr> <td>02</td> <td rowspan="6">Check chart on next page to verify station-port size combinations and stock status</td> </tr> <tr> <td>03</td> </tr> <tr> <td>04</td> </tr> <tr> <td>06</td> </tr> <tr> <td>08</td> </tr> <tr> <td>10</td> </tr> </tbody> </table>	No. of Stations		02	Check chart on next page to verify station-port size combinations and stock status	03	04	06	08	10	<table border="1"> <thead> <tr> <th colspan="4">Side Port Threads</th> </tr> </thead> <tbody> <tr> <td>04P</td> <td rowspan="8">NPTF ANSI B1.20.3</td> <td>04S</td> <td rowspan="8">SAE ISO 11926 SAE 1926</td> </tr> <tr> <td>06P</td> <td>06S</td> </tr> <tr> <td>08P</td> <td>08S</td> </tr> <tr> <td>12P</td> <td>12S</td> </tr> <tr> <td>16P</td> <td>16S</td> </tr> <tr> <td>20P</td> <td>20S</td> </tr> <tr> <td>24P</td> <td>24S</td> </tr> <tr> <td colspan="4">Check chart on next page to verify station-port size combinations</td> </tr> </tbody> </table>	Side Port Threads				04P	NPTF ANSI B1.20.3	04S	SAE ISO 11926 SAE 1926	06P	06S	08P	08S	12P	12S	16P	16S	20P	20S	24P	24S	Check chart on next page to verify station-port size combinations			
Material																																																					
A	Aluminum - 6061-T6 3000† psi • 20.7 MPa																																																				
D	Ductile Iron - D4512 5000† psi • 34.5 MPa																																																				
† Working pressure should be considered in accordance with ISO 4413 to determine appropriate material type.																																																					
Product Type																																																					
J	Junction Block																																																				
Side Port Layout																																																					
090	Ports out two adjacent sides																																																				
No. of Stations																																																					
02	Check chart on next page to verify station-port size combinations and stock status																																																				
03																																																					
04																																																					
06																																																					
08																																																					
10																																																					
Side Port Threads																																																					
04P	NPTF ANSI B1.20.3	04S	SAE ISO 11926 SAE 1926																																																		
06P		06S																																																			
08P		08S																																																			
12P		12S																																																			
16P		16S																																																			
20P		20S																																																			
24P		24S																																																			
Check chart on next page to verify station-port size combinations																																																					

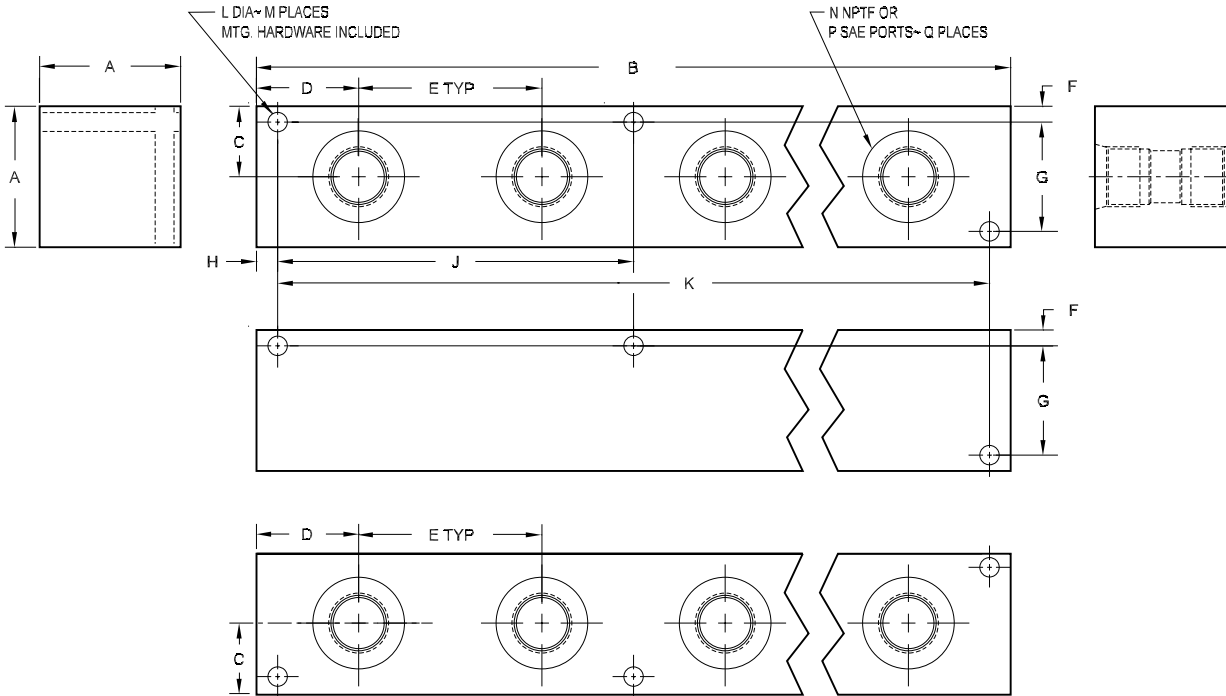
Junction Manifolds - 90° Design

PART NO.	A	B	C	D	E	F	G	H	J	K	L	M	N	P	Q
J0900304		5.63 [142.9]							--	5.00 [127.0]		4			6
J0900404	1.75	7.38 [187.3]							--	6.75 [171.5]		4			8
J0900604	[44.5]	10.88 [276.2]	0.88	1.06	1.75	0.25	1.25	0.31	5.13 [130.2]	10.25 [260.4]	0.28	4	1/4	-4	12
J0900804		14.38 [365.1]	[22.2]	[27.0]	[44.5]	[6.4]	[31.8]	[7.9]	6.88 [174.6]	13.75 [349.3]	[7.1]	6			16
J0901004		17.88 [454.0]							8.63 [219.1]	17.25 [438.2]		6			20
J0900206		5.00 [127.0]							--	4.38 [111.1]		4			4
J0900306		7.00 [177.8]							--	6.38 [161.9]		4			6
J0900406	1.75	9.00 [228.6]	0.88	1.50	2.00	0.25	1.25	0.31	--	8.38 [212.7]	0.28	4	3/8	-6	8
J0900606	[44.5]	13.00 [330.2]	[22.2]	[38.1]	[50.8]	[6.4]	[31.8]	[7.9]	6.19 [157.2]	12.38 [314.3]	[7.1]	6			12
J0900806		17.00 [431.8]							8.19 [208.0]	16.38 [415.9]		6			16
J0901006		21.00 [533.4]							10.19 [258.8]	20.38 [517.5]		6			20
J0900208		5.38 [136.5]							--	4.75 [120.7]		4			4
J0900308		7.75 [196.9]							--	7.13 [181.0]		4			6
J0900408	2.00	10.13 [257.2]	1.00	1.50	2.38	0.25	1.50	0.31	--	9.50 [241.3]	0.28	4	1/2	-8	8
J0900608	[50.8]	14.88 [377.8]	[25.4]	[38.1]	[60.3]	[6.4]	[38.1]	[7.9]	7.13 [181.0]	14.25 [362.0]	[7.1]	6			12
J0900808		19.63 [498.5]							9.50 [241.3]	19.00 [482.6]		6			16
J0901008		24.38 [619.1]							11.88 [301.6]	23.75 [603.3]		6			20
J0900212		6.88 [174.6]							--	6.13 [155.6]		4			4
J0900312		10.13 [257.2]							--	9.38 [238.1]		4			6
J0900412	2.50	13.38 [339.7]	1.25	1.81	3.25	0.28	1.94	0.38	--	12.63 [320.7]	0.34	4	3/4	-12	8
J0900612	[63.5]	19.88 [504.8]	[31.8]	[46.0]	[82.6]	[7.1]	[49.2]	[9.5]	9.56 [242.9]	19.13 [485.8]	[8.7]	6			12
J0900812		26.38 [669.9]							12.81 [325.4]	25.63 [650.9]		6			16
J0901012		32.88 [835.0]							16.06 [408.0]	32.13 [816.0]		6			20
J0900216		7.75 [197.0]							--	7.00 [177.8]		4			4
J0900316		11.50 [292.1]							--	10.75 [273.1]		4			6
J0900416	3.00	15.25 [387.4]	1.50	2.00	3.75	0.34	2.31	0.38	--	14.50 [368.3]	0.41	4	1"	-16	8
J0900616	[76.2]	22.75 [577.9]	[38.1]	[50.8]	[95.3]	[8.7]	[58.7]	[9.5]	11.00 [279.4]	22.00 [558.8]	[10.3]	6			12
J0900816		30.25 [768.4]							14.75 [374.7]	29.50 [749.3]		6			16
J0901016		37.75 [958.9]							18.50 [469.9]	37.00 [939.8]		6			20
J0900220		8.50 [215.9]							--	7.50 [190.5]		4			4
J0900320		12.50 [317.5]							--	11.50 [292.1]		4			6
J0900420	3.50	16.50 [419.1]	1.75	2.25	4.00	0.41	2.69	0.50	--	15.50 [393.7]	0.53	4	1-1/4	-20	8
J0900620	[88.9]	24.50 [622.3]	[44.5]	[57.2]	[101.6]	[10.3]	[68.3]	[12.7]	11.75 [298.5]	23.50 [596.9]	[13.5]	6			12
J0900820		32.50 [825.5]							15.75 [400.1]	31.50 [800.1]		6			16
J0900224		10.00 [254.0]							--	9.00 [228.6]		4			4
J0900324		15.00 [381.0]							--	14.00 [355.6]		4			6
J0900424	4.00	20.00 [508.0]	2.00	2.50	5.00	0.41	3.19	0.50	--	19.00 [482.6]	0.53	4	1-1/2	-24	8
J0900624	[101.6]	30.00 [762.0]	[50.8]	[63.5]	[127.0]	[10.3]	[81.0]	[12.7]	9.50 [241.3]	29.00 [736.6]	[13.5]	6			12

Custom Products
 Standard Manifolds
 Cover Plates
 Valve Adaptors
 Subplates
 Servo Valve Subplates
 Tapping Plates
 DIN Cartridge Valve Bodies
 Header and Junction Blocks
 Technical Information

Junction Manifolds - 180° Design

Junction block mounting hardware is supplied.
See page 179 for itemized list.



Specifications, descriptions, and dimensional data are subject to correction or change without notice or incurring obligation. Download latest catalog page revisions at www.daman.com.

Ordering Information

Material	Product Type	Side Port Layout	No. of Stations	Side Port Threads																																																	
<table border="1"> <thead> <tr> <th colspan="2">Material</th> </tr> </thead> <tbody> <tr> <td>A</td> <td>Aluminum - 6061-T6 3000[†] psi • 20.7 MPa</td> </tr> <tr> <td>D</td> <td>Ductile Iron - D4512 5000[†] psi • 34.5 MPa</td> </tr> <tr> <td colspan="2">[†] Working pressure should be considered in accordance with ISO 4413 to determine appropriate material type.</td> </tr> </tbody> </table>	Material		A	Aluminum - 6061-T6 3000 [†] psi • 20.7 MPa	D	Ductile Iron - D4512 5000 [†] psi • 34.5 MPa	[†] Working pressure should be considered in accordance with ISO 4413 to determine appropriate material type.		<table border="1"> <thead> <tr> <th colspan="2">Product Type</th> </tr> </thead> <tbody> <tr> <td>J</td> <td>Junction Block</td> </tr> </tbody> </table>	Product Type		J	Junction Block	<table border="1"> <thead> <tr> <th colspan="2">Side Port Layout</th> </tr> </thead> <tbody> <tr> <td>180</td> <td>Ports out two opposite sides</td> </tr> </tbody> </table>	Side Port Layout		180	Ports out two opposite sides	<table border="1"> <thead> <tr> <th colspan="2">No. of Stations</th> </tr> </thead> <tbody> <tr> <td>02</td> <td rowspan="6">Check chart on next page to verify station-port size combinations</td> </tr> <tr> <td>03</td> </tr> <tr> <td>04</td> </tr> <tr> <td>06</td> </tr> <tr> <td>08</td> </tr> <tr> <td>10</td> </tr> </tbody> </table>	No. of Stations		02	Check chart on next page to verify station-port size combinations	03	04	06	08	10	<table border="1"> <thead> <tr> <th colspan="4">Side Port Threads</th> </tr> </thead> <tbody> <tr> <td>04P</td> <td rowspan="6">NPTF ANSI B1.20.3</td> <td>04S</td> <td rowspan="6">SAE ISO 11926 SAE 1926</td> </tr> <tr> <td>06P</td> <td>06S</td> </tr> <tr> <td>08P</td> <td>08S</td> </tr> <tr> <td>12P</td> <td>12S</td> </tr> <tr> <td>16P</td> <td>16S</td> </tr> <tr> <td>20P</td> <td>20S</td> </tr> <tr> <td>24P</td> <td>24S</td> </tr> <tr> <td colspan="4">Check chart on next page to verify station-port size combinations</td> </tr> </tbody> </table>	Side Port Threads				04P	NPTF ANSI B1.20.3	04S	SAE ISO 11926 SAE 1926	06P	06S	08P	08S	12P	12S	16P	16S	20P	20S	24P	24S	Check chart on next page to verify station-port size combinations			
Material																																																					
A	Aluminum - 6061-T6 3000 [†] psi • 20.7 MPa																																																				
D	Ductile Iron - D4512 5000 [†] psi • 34.5 MPa																																																				
[†] Working pressure should be considered in accordance with ISO 4413 to determine appropriate material type.																																																					
Product Type																																																					
J	Junction Block																																																				
Side Port Layout																																																					
180	Ports out two opposite sides																																																				
No. of Stations																																																					
02	Check chart on next page to verify station-port size combinations																																																				
03																																																					
04																																																					
06																																																					
08																																																					
10																																																					
Side Port Threads																																																					
04P	NPTF ANSI B1.20.3	04S	SAE ISO 11926 SAE 1926																																																		
06P		06S																																																			
08P		08S																																																			
12P		12S																																																			
16P		16S																																																			
20P		20S																																																			
24P	24S																																																				
Check chart on next page to verify station-port size combinations																																																					

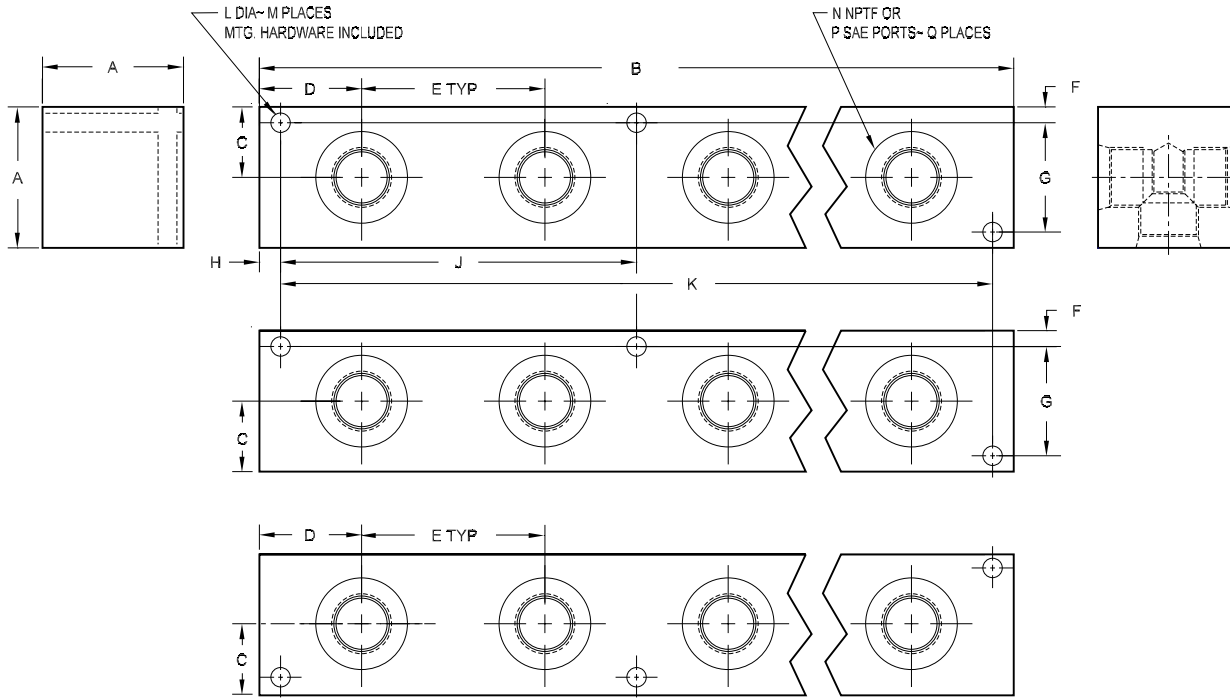
Junction Manifolds - 180° Design

PART NO.	A	B	C	D	E	F	G	H	J	K	L	M	N	P	Q
J1800304		5.63 [142.9]							--	5.00 [127.0]		4			6
J1800404	1.75	7.38 [187.3]							--	6.75 [171.5]		4			8
J1800604	[44.5]	10.88 [276.2]	0.88	1.06	1.75	0.25	1.25	0.31	5.13 [130.2]	10.25 [260.4]	0.28	6	1/4	-4	12
J1800804		14.38 [365.1]	[22.2]	[27.0]	[44.5]	[6.4]	[31.8]	[7.9]	6.88 [174.6]	13.75 [349.3]	[7.1]	6			16
J1801004		17.88 [454.0]							8.63 [219.1]	17.25 [438.2]		6			20
J1800206		5.00 [127.0]							--	4.38 [111.1]		4			4
J1800306		7.00 [177.8]							--	6.38 [161.9]		4			6
J1800406	1.75	9.00 [228.6]	0.88	1.50	2.00	0.25	1.25	0.31	--	8.38 [212.7]	0.28	4	3/8	-6	8
J1800606	[44.5]	13.00 [330.2]	[22.2]	[38.1]	[50.8]	[6.4]	[31.8]	[7.9]	6.19 [157.2]	12.38 [314.3]	[7.1]	6			12
J1800806		17.00 [431.8]							8.19 [208.0]	16.38 [415.9]		6			16
J1801006		21.00 [533.4]							10.19 [258.8]	20.38 [517.5]		6			20
J1800208		5.38 [136.5]							--	4.75 [120.7]		4			4
J1800308		7.75 [196.9]							--	7.13 [181.0]		4			6
J1800408	2.00	10.13 [257.2]	1.00	1.50	2.38	0.25	1.50	0.31	--	9.50 [241.3]	0.28	4	1/2	-8	8
J1800608	[50.8]	14.88 [377.8]	[25.4]	[38.1]	[60.3]	[6.4]	[38.1]	[7.9]	7.13 [181.0]	14.25 [362.0]	[7.1]	6			12
J1800808		19.63 [498.5]							9.50 [241.3]	19.00 [482.6]		6			16
J1801008		24.38 [619.1]							11.88 [301.6]	23.75 [603.3]		6			20
J1800212		6.88 [174.6]							--	6.13 [155.6]		4			4
J1800312		10.13 [257.2]							--	9.38 [238.1]		4			6
J1800412	2.50	13.38 [339.7]	1.25	1.81	3.25	0.28	1.94	0.38	--	12.63 [320.7]	0.34	4	3/4	-12	8
J1800612	[63.5]	19.88 [504.8]	[31.8]	[46.0]	[82.6]	[7.1]	[49.2]	[9.5]	9.56 [242.9]	19.13 [485.8]	[8.7]	6			12
J1800812		26.38 [669.9]							12.81 [325.4]	25.63 [650.9]		6			16
J1801012		32.88 [835.0]							16.06 [408.0]	32.13 [816.0]		6			20
J1800216		7.75 [197.0]							--	7.00 [177.8]		4			4
J1800316		11.50 [292.1]							--	10.75 [273.1]		4			6
J1800416	3.00	15.25 [387.4]	1.50	2.00	3.75	0.34	2.31	0.38	--	14.50 [368.3]	0.41	4	1"	-16	8
J1800616	[76.2]	22.75 [577.9]	[38.1]	[50.8]	[95.3]	[8.7]	[58.7]	[9.5]	11.00 [279.4]	22.00 [558.8]	[10.3]	6			12
J1800816		30.25 [768.4]							14.75 [374.7]	29.50 [749.3]		6			16
J1801016		37.75 [958.9]							18.50 [469.9]	37.00 [939.8]		6			20
J1800220		8.50 [215.9]							--	7.50 [190.5]		4			4
J1800320		12.50 [317.5]							--	11.50 [292.1]		4			6
J1800420	3.50	16.50 [419.1]	1.75	2.25	4.00	0.41	2.69	0.50	--	15.50 [393.7]	0.53	4	1-1/4	-20	8
J1800620	[88.9]	24.50 [622.3]	[44.5]	[57.2]	[101.6]	[10.3]	[68.3]	[12.7]	11.75 [298.5]	23.50 [596.9]	[13.5]	6			12
J1800820		32.50 [825.5]							15.75 [400.1]	31.50 [800.1]		6			16
J1800224		10.00 [254.0]							--	9.00 [228.6]		4			4
J1800324		15.00 [381.0]							--	14.00 [355.6]		4			6
J1800424	4.00	20.00 [508.0]	2.00	2.50	5.00	0.41	3.19	0.50	--	19.00 [482.6]	0.53	4	1-1/2	-24	8
J1800624	[101.6]	30.00 [762.0]	[50.8]	[63.5]	[127.0]	[10.3]	[81.0]	[12.7]	9.50 [241.3]	29.00 [736.6]	[13.5]	6			12

Custom Products
 Standard Manifolds
 Cover Plates
 Valve Adaptors
 Subplates
 Servo Valve Subplates
 Tapping Plates
 DIN Cartridge Valve Bodies
 Header and Junction Blocks
 Technical Information

Junction Manifolds - 270° Design

Junction block mounting hardware is supplied.
See page 179 for itemized list.



Specifications, descriptions, and dimensional data are subject to correction or change without notice or incurring obligation. Download latest catalog page revisions at www.daman.com.

Ordering Information

Material	Product Type	Side Port Layout	No. of Stations	Side Port Threads																																														
<table border="1"> <thead> <tr> <th colspan="2">Material</th> </tr> </thead> <tbody> <tr> <td>A</td> <td>Aluminum - 6061-T6 3000† psi • 20.7 MPa</td> </tr> <tr> <td>D</td> <td>Ductile Iron - D4512 5000† psi • 34.5 MPa</td> </tr> <tr> <td colspan="2">† Working pressure should be considered in accordance with ISO 4413 to determine appropriate material type.</td> </tr> </tbody> </table>	Material		A	Aluminum - 6061-T6 3000† psi • 20.7 MPa	D	Ductile Iron - D4512 5000† psi • 34.5 MPa	† Working pressure should be considered in accordance with ISO 4413 to determine appropriate material type.		<table border="1"> <thead> <tr> <th colspan="2">Product Type</th> </tr> </thead> <tbody> <tr> <td>J</td> <td>Junction Block</td> </tr> </tbody> </table>	Product Type		J	Junction Block	<table border="1"> <thead> <tr> <th colspan="2">Side Port Layout</th> </tr> </thead> <tbody> <tr> <td>270</td> <td>Ports out three adjacent sides</td> </tr> </tbody> </table>	Side Port Layout		270	Ports out three adjacent sides	<table border="1"> <thead> <tr> <th colspan="2">No. of Stations</th> </tr> </thead> <tbody> <tr> <td>02</td> <td rowspan="6">Check chart on next page to verify station-port size combinations</td> </tr> <tr> <td>03</td> </tr> <tr> <td>04</td> </tr> <tr> <td>06</td> </tr> <tr> <td>08</td> </tr> <tr> <td>10</td> </tr> </tbody> </table>	No. of Stations		02	Check chart on next page to verify station-port size combinations	03	04	06	08	10	<table border="1"> <thead> <tr> <th colspan="3">Side Port Threads</th> </tr> </thead> <tbody> <tr> <td>04P</td> <td rowspan="8">NPTF ANSI B1.20.3</td> <td>04S</td> </tr> <tr> <td>06P</td> <td>06S</td> </tr> <tr> <td>08P</td> <td>08S</td> </tr> <tr> <td>12P</td> <td>12S</td> </tr> <tr> <td>16P</td> <td>16S</td> </tr> <tr> <td>20P</td> <td>20S</td> </tr> <tr> <td>24P</td> <td>24S</td> </tr> <tr> <td colspan="3">Check chart on next page to verify station-port size combinations</td> </tr> </tbody> </table>	Side Port Threads			04P	NPTF ANSI B1.20.3	04S	06P	06S	08P	08S	12P	12S	16P	16S	20P	20S	24P	24S	Check chart on next page to verify station-port size combinations		
Material																																																		
A	Aluminum - 6061-T6 3000† psi • 20.7 MPa																																																	
D	Ductile Iron - D4512 5000† psi • 34.5 MPa																																																	
† Working pressure should be considered in accordance with ISO 4413 to determine appropriate material type.																																																		
Product Type																																																		
J	Junction Block																																																	
Side Port Layout																																																		
270	Ports out three adjacent sides																																																	
No. of Stations																																																		
02	Check chart on next page to verify station-port size combinations																																																	
03																																																		
04																																																		
06																																																		
08																																																		
10																																																		
Side Port Threads																																																		
04P	NPTF ANSI B1.20.3	04S																																																
06P		06S																																																
08P		08S																																																
12P		12S																																																
16P		16S																																																
20P		20S																																																
24P		24S																																																
Check chart on next page to verify station-port size combinations																																																		

Junction Manifolds - 270° Design

PART NO.	A	B	C	D	E	F	G	H	J	K	L	M	N	P	Q
J2700304		5.63 [142.9]							--	5.00 [127.0]		4			9
J2700404	1.75	7.38 [187.3]							--	6.75 [171.5]		4			12
J2700604	[44.5]	10.88 [276.2]	0.88	1.06	1.75	0.25	1.25	0.31	5.13 [130.2]	10.25 [260.4]	0.28	6	1/4	-4	18
J2700804		14.38 [365.1]	[22.2]	[27.0]	[44.5]	[6.4]	[31.8]	[7.9]	6.88 [174.6]	13.75 [349.3]	[7.1]	6			24
J2701004		17.88 [454.0]							8.63 [219.1]	17.25 [438.2]		6			30
J2700206		5.00 [127.0]							--	4.38 [111.1]		4			6
J2700306		7.00 [177.8]							--	6.38 [161.9]		4			9
J2700406	1.75	9.00 [228.6]	0.88	1.50	2.00	0.25	1.25	0.31	--	8.38 [212.7]	0.28	4	3/8	-6	12
J2700606	[44.5]	13.00 [330.2]	[22.2]	[38.1]	[50.8]	[6.4]	[31.8]	[7.9]	6.19 [157.2]	12.38 [314.3]	[7.1]	6			18
J2700806		17.00 [431.8]							8.19 [208.0]	16.38 [415.9]		6			24
J2701006		21.00 [533.4]							10.19 [258.8]	20.38 [517.5]		6			30
J2700208		5.38 [136.5]							--	4.75 [120.7]		4			6
J2700308		7.75 [196.9]							--	7.13 [181.0]		4			9
J2700408	2.00	10.13 [257.2]	1.00	1.50	2.38	0.25	1.50	0.31	--	9.50 [241.3]	0.28	4	1/2	-8	12
J2700608	[50.8]	14.88 [377.8]	[25.4]	[38.1]	[60.3]	[6.4]	[38.1]	[7.9]	7.13 [181.0]	14.25 [362.0]	[7.1]	6			18
J2700808		19.63 [498.5]							9.50 [241.3]	19.00 [482.6]		6			24
J2701008		24.38 [619.1]							11.88 [301.6]	23.75 [603.3]		6			30
J2700212		6.88 [174.6]							--	6.13 [155.6]		4			6
J2700312		10.13 [257.2]							--	9.38 [238.1]		4			9
J2700412	2.50	13.38 [339.7]	1.25	1.81	3.25	0.28	1.94	0.38	--	12.63 [320.7]	0.34	4	3/4	-12	12
J2700612	[63.5]	19.88 [504.8]	[31.8]	[46.0]	[82.6]	[7.1]	[49.2]	[9.5]	9.56 [242.9]	19.13 [485.8]	[8.7]	6			18
J2700812		26.38 [669.9]							12.81 [325.4]	25.63 [650.9]		6			24
J2701012		32.88 [835.0]							16.06 [408.0]	32.13 [816.0]		6			30
J2700216		7.75 [197.0]							--	7.00 [177.8]		4			6
J2700316		11.50 [292.1]							--	10.75 [273.1]		4			9
J2700416	3.00	15.25 [387.4]	1.50	2.00	3.75	0.34	2.31	0.38	--	14.50 [368.3]	0.41	4	1"	-16	12
J2700616	[76.2]	22.75 [577.9]	[38.1]	[50.8]	[95.3]	[8.7]	[58.7]	[9.5]	11.00 [279.4]	22.00 [558.8]	[10.3]	6			18
J2700816		30.25 [768.4]							14.75 [374.7]	29.50 [749.3]		6			24
J2701016		37.75 [958.9]							18.50 [469.9]	37.00 [939.8]		6			30
J2700220		8.50 [215.9]							--	7.50 [190.5]		4			6
J2700320		12.50 [317.5]							--	11.50 [292.1]		4			9
J2700420	3.50	16.50 [419.1]	1.75	2.25	4.00	0.41	2.69	0.50	--	15.50 [393.7]	0.53	4	1-1/4	-20	12
J2700620	[88.9]	24.50 [622.3]	[44.5]	[57.2]	[101.6]	[10.3]	[68.3]	[12.7]	11.75 [298.5]	23.50 [596.9]	[13.5]	6			18
J2700820		32.50 [825.5]							15.75 [400.1]	31.50 [800.1]		6			24
J2700224		10.00 [254.0]							--	9.00 [228.6]		4			6
J2700324		15.00 [381.0]							--	14.00 [355.6]		4			9
J2700424	4.00	20.00 [508.0]	2.00	2.50	5.00	0.41	3.19	0.50	--	19.00 [482.6]	0.53	4	1-1/2	-24	12
J2700624	[101.6]	30.00 [762.0]	[50.8]	[63.5]	[127.0]	[10.3]	[81.0]	[12.7]	9.50 [241.3]	29.00 [736.6]	[13.5]	6			18

Custom Products
 Standard Manifolds
 Cover Plates
 Valve Adaptors
 Subplates
 Servo Valve Subplates
 Tapping Plates
 DIN Cartridge Valve Bodies
 Header and Junction Blocks
 Technical Information