

#### Sensor Power Supply



6

#### Sensor Power Supply

##### Product Description

Eaton’s sensor power supply was specially designed to be used with the 200 Series and E68 Series zero pressure accumulation systems, but is also suitable for use in a wide variety of applications. The unit delivers 100W output at 27 Vdc and supports easy, Class II wiring. The power supply is a tamper-proof, rugged component easily mounted to a conveyor side-channel or support. Internal components are fully encapsulated in a strong die-cast housing to stand up to rugged handling, ensuring flawless performance in any material handling environment.

##### Features, Benefits and Functions

- Integrated AC junction box for one-step mounting and wiring without the need for additional accessories
- Built-in DC power health contact allows easy monitoring of power supply status
- Unitized design features a tamper-proof encapsulated construction to reduce the risk of damage associated with conventional open control-panel type construction
- Built-in slug-release input converts an AC or DC input to the appropriate DC signal for integration with the 200 Series and E68 Series zero pressure accumulation systems
- Dual output connection terminals to make it easy and convenient to locate the power supply at the center of the cable run
- Power switch protected against accidental operation
- Power in and out indicators show status at a glance
- Conduit entry box for NEC compliance
- Simple mounting with two 1/4-inch bolts
- Rugged die-cast housing
- Fully encapsulated electronics

##### Standards and Certifications

- UL listed
- CSA approved



#### Contents

<b>Description</b>	<b>Page</b>
PSG Series .....	<b>V7-T6-3</b>
PSS Series .....	<b>V7-T6-8</b>
ELC Series .....	<b>V7-T6-12</b>
EZ Power Supply .....	<b>V7-T6-15</b>
Sensor Power Supply	
Product Selection .....	<b>V7-T6-19</b>
Technical Data and Specifications .....	<b>V7-T6-19</b>
Wiring Diagram .....	<b>V7-T6-20</b>
Dimensions .....	<b>V7-T6-20</b>

## Product Selection

PS256A\_

## Sensor Power Supply



Output	Slug Input	Type	Slug Output	Catalog Number
<b>Operating Voltage 105–132 Vac</b>				
27 Vdc, 100W; short circuit, overload and overvoltage protection (cycle power to reset)	15–132 Vac/Vdc 3 mA minimum	Standard For use with 200 Series and E68 systems	Sinking or sourcing, switch selectable; 80 mA maximum; short circuit protection for loads less than 32 Vac or Vdc (auto reset)	<b>PS256A-01B1</b> ②
	15–132 Vac/Vdc 3 mA minimum	High current slug For use with solenoid valve systems requiring full current slug signals	Sinking only; 100W output; short circuit, overload and overvoltage protection (cycle power to reset) ①	<b>PS256A-04B1</b> ②

6

## Technical Data and Specifications

## Sensor Power Supply

Description	PS256A-01B1	PS256A-04B1
Input power	144W, maximum inrush 30A from cold start	144W, maximum inrush 30A from cold start
Input voltage	105–132 Vac	105–132 Vac
Input current (full load)	105 Vac–1.92A, 115 Vac–1.65A, 132 Vac–1.5A	105 Vac–1.92A, 115 Vac–1.65A, 132 Vac–1.5A
Output power	100W	100W
Output voltage	27 Vdc	27 Vdc
Output protection	Short circuit, overload and overvoltage protection (cycle power to reset), diode protected	Short circuit, overload and overvoltage protection (cycle power to reset), diode protected
Regulation	± 3%	± 3%
Slug input	15–132 Vac/Vdc	15–132 Vac/Vdc
Slug output	Sinking or sourcing, switch selectable; 80 mA maximum; short circuit protection for loads less than 32 Vac or Vdc (auto reset)	Sinking only; 100W output; short circuit, overload and overvoltage protection (cycle power to reset) ①
Indicators	Red LED: AC In; Green LED: DC Out	Red LED: AC In; Green LED: DC Out
DC fail indication output	NO contact, solid-state relay, 80 mA maximum	NO contact, solid-state relay, 80 mA maximum
Temperature range	–13° to 131°F (–25° to 55°C)	–13° to 131°F (–25° to 55°C)
Vibration	20g	20g
Enclosure material	Die-cast aluminum	Die-cast aluminum
Enclosure rating	NEMA 1	NEMA 1
Connections	Main output/slug output: Two three-position finger protected barrier strips; AC line input, DC fail indication and slug input: 8-position screw terminal strip inside conduit entry box	Main output/slug output: Two three-position finger protected barrier strips; AC line input, DC fail indication and slug input: 8-position screw terminal strip inside conduit entry box

## Notes

- ① Total output power of supply is 100W. Total supply output power (100W) = main output power + slug output power.  
 ② Stocked product, typical order quantities guaranteed in stock.

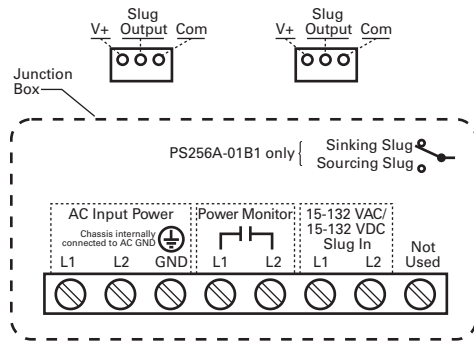
# 6.1

## Power Supplies

### General Purpose and Sensor Power Supplies

#### Wiring Diagram

##### Sensor Power Supply



6

#### Dimensions

Approximate Dimensions in Inches (mm)

##### Sensor Power Supply

