

**Sensor Mounting Brackets****Contents**

<b>Description</b>	<b>Page</b>
Sensor Mounting Brackets	
Product Selection .....	<b>V8-T8-6</b>
Dimensions .....	<b>V8-T8-8</b>

**Sensor Mounting Brackets****Product Description**

Mounting brackets by Eaton's Electrical Sector found in this section are suited for use with 8 mm to 30 mm diameter tubular sensors only. Mounting brackets designed to specifically fit other types of sensors are found in the respective "Accessories" sections for those sensor families.

**Product Selection Guide**

When choosing a bracket, consider:

- Adjustability—Do you need minimal alignment capability (mounting an inductive proximity sensor), or a high level of alignment precision (mounting a long range photoelectric thru-beam sensor)?
- Material of Construction—This can be dictated by the sensing environment or the type of sensor you are using

For the most current information on this product, visit our Web site: [www.eaton.com](http://www.eaton.com)

For Customer Service in the U.S. call 1-877-ETN CARE (386-2273), in Canada call 1-800-268-3578.  
For Application Assistance in the U.S. and Canada call 1-800-426-9184.

## Product Selection

## Sensor Mounting Brackets

## Mounting Brackets for Tubular Sensors

	Description	Size	Catalog Number	
<b>L-Shaped Bracket</b> 	<b>L-Shaped Bracket—E57KM_</b>			
	Adjustability:	Allows some adjustment in two axes	8 mm	<b>E57KM8</b>
	Sensor mounting:	Sensor mounts with two jam nuts and washers <sup>①</sup>	12 mm	<b>E57KM12</b>
	Material of construction:	Stainless steel	18 mm	<b>E57KM18</b>
	Packaging:	One per package	30 mm	<b>E57KM30</b>
<b>L-Shaped Bracket</b> 	<b>L-Shaped Bracket—6161A_</b>			
	Adjustability:	Allows some adjustment in one axis and allows for aiming of the sensor through a short arc	18 mm	<b>6161A-6501</b>
	Sensor mounting:	Sensor mounts with two jam nuts and washers <sup>①</sup>		
	Material of construction:	Aluminum with chromate finish		
<b>L-Shaped Bracket</b> 	Packaging:	Two per package		
	Packaging:	Same as <b>6161A-6501</b> (above), except: Bulk packaged (ordered quantity will be sent bulk packed)	18 mm	<b>6161AS6501</b>
<b>L-Shaped Bracket</b> 	<b>L-Shaped Bracket—6167A</b>			
	Adjustability:	Allows a minimum range. Suitable for 30 mm sensors.	30 mm	<b>6167A-6501</b>
	Sensor mounting:	Allows some adjustment in one axis		
	Material of construction:	Zinc dichromate		
<b>L-Shaped Bracket with Slot</b> 	<b>L-Shaped Bracket with Slot <sup>②</sup></b>			
	Adjustability:	Allows some adjustment in one axis and allows for aiming of the sensor through a short arc	18 mm	<b>6161AS7050</b>
	Sensor mounting:	Sensor mounts with two jam nuts and washers <sup>①</sup>		
	Material of construction:	Aluminum with chromate finish		
<b>Flat Bracket</b> 	Packaging:	Bulk packaged (ordered quantity will be sent bulk packed)		
	<b>Flat Bracket</b>			
<b>Adjustable Bracket</b> 	<b>Adjustable Bracket—E58KAM18_ <sup>③</sup></b>			
	Adjustability:	Locking vertical and horizontal adjustments for independent adjustments in each axis	18 mm	<b>E58KAM18</b>
	Sensor mounting:	Sensor mounts with two jam nuts and washers <sup>①</sup>		
	Material of construction:	304 stainless steel		
<b>Adjustable Bracket</b> 	Packaging:	One per package		
	Packaging:	Same as <b>E58KAM18</b> , except not electrically isolated from mounting surface	18 mm	<b>E58KAM18U</b>

**Dimensions**, see **Page V8-T8-8**.


**Notes**

<sup>①</sup> Included with sensor.

<sup>②</sup> Allows installation of sensor with jam nuts already in place on sensor body, (Comet<sup>®</sup> and Prism<sup>™</sup> sensors only).

<sup>③</sup> Sensor is electrically isolated from mounting surface.

## Mounting Brackets for Tubular Sensors, continued

	Description	Size	Catalog Number
<b>Adjustable Bracket</b> 	<b>Adjustable Bracket—E58KAM30</b> ①		
	Adjustability: Locking vertical and horizontal adjustments for independent adjustment in each axis	30 mm	<b>E58KAM30</b>
	Sensor mounting: Sensor mounts with two jam nuts ②		
	Material of construction: 304 stainless steel		
	Packaging: One per package		
	Same as <b>E58KAM30</b> , except not electrically isolated from mounting surface.	30 mm	<b>E58KAM30U</b>
<b>18 mm Ball Swivel Bracket</b> 	<b>18 mm Ball Swivel Bracket</b>		
	Adjustability: Allows 360° rotation and 10° vertical tilt	18 mm	<b>E58KAM18B</b>
	Sensor mounting: Mounts directly to any 18 mm threaded sensor		
	Material of construction: 5% glass filled Valox®		
	Packaging: One per package		
<b>Metal Ball Swivel Mount</b> 	<b>Metal Ball Swivel Mount</b> ③		
	Adjustability: Allows 5.5° rotation with screw lock to fix final position	0.75 in (18 mm)	<b>6168A-6501</b>
	Sensor mounting: Mounts directly to any 18 mm tubular sensor		
	Material of construction: Extremely rugged, made from zinc plated steel/Celenex®		
	Packaging: One per package		
<b>Plastic Ball Swivel Mount</b> 	<b>Plastic Ball Swivel Mount—6143A</b>		
	Adjustability: Allows 10° rotation on X and Y axes with a clamping action to hold adjustment	0.375 in (8 mm)	<b>6143A-6501</b>
	Sensor mounting: Mounts directly to any 8 mm tubular sensor		
	Material of construction: Noryl ④		
	Operating temperature: -40° to 160°F (-40° to 71°C)		
	Packaging: One per package		
<b>Plastic Ball Swivel Mount</b> 	<b>Plastic Ball Swivel Mount—6142A</b>		
	Same as <b>6143A-6501</b> (above), except:	0.75 in (18 mm)	<b>6142A-6501</b>
	Sensor mounting: Mounts directly to any 18 mm tubular sensor		
<b>Cushioned Sensor Mounts</b> 	<b>Cushioned Sensor Mounts</b>		
	Precision machined, spring-loaded sleeves that hold tubular sensors to protect them from accidental impact due to overtravel of the target being sensed.	8 mm	<b>E57KNZ8</b>
		12 mm	<b>E57KNZ12</b>
	Used for inductive proximity sensors only.	18 mm	<b>E57KNZ18</b>
		30 mm	<b>E57KNZ30</b>

Dimensions, see Page V8-T8-8.

#### Notes

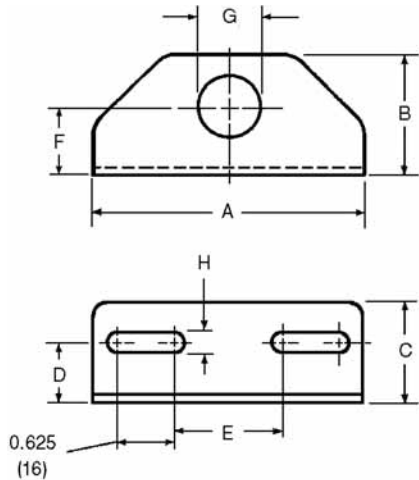
- ① Sensor is electrically isolated from mounting surface.
- ② Included with sensor.
- ③ Electrically isolates the sensor to prevent noise pick-up caused by poor grounding.
- ④ Avoid exposing to chlorinated halogenated or aromatic hydrocarbons.

#### Dimensions

Approximate Dimensions in Inches (mm)

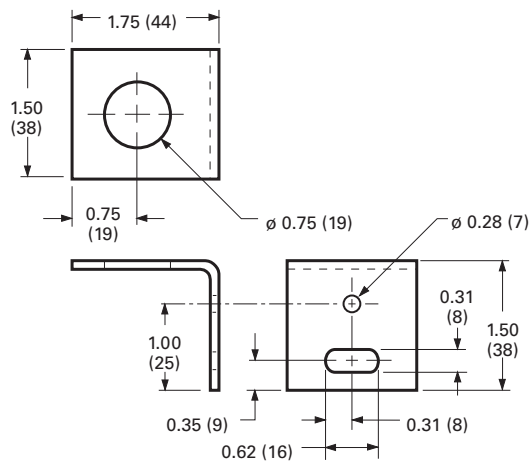
#### Sensor Mounting Brackets for Tubular Sensors

##### L-Shaped Bracket—E57KM

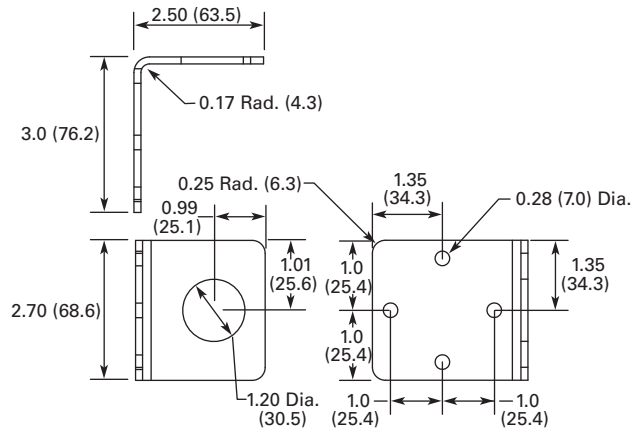


Size	A	B	C	D
8 mm	3.00 (76)	1.35 (34)	1.125 (29)	0.65 (17)
12 mm	3.00 (76)	1.35 (34)	1.125 (29)	0.65 (17)
18 mm	3.00 (76)	1.35 (34)	1.125 (29)	0.65 (17)
30 mm	4.25 (108)	2.15 (55)	1.75 (45)	1.00 (25)
	E	F	G	H
8 mm	1.20 (31)	0.75 (19)	0.323 (8)	0.218 (6)
12 mm	1.20 (31)	0.75 (19)	0.484 (12)	0.218 (6)
18 mm	1.20 (31)	0.75 (19)	0.718 (18)	0.218 (6)
30 mm	2.00 (51)	1.25 (29)	1.203 (30)	0.281 (7)

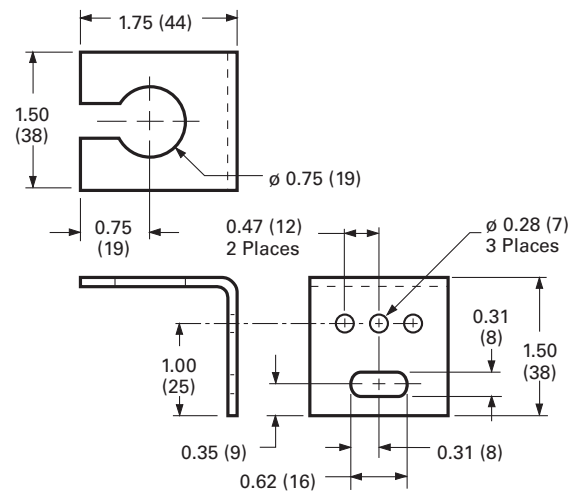
##### L-Shaped Bracket—6161A



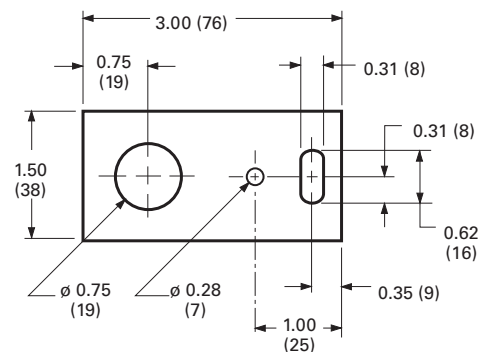
##### L-Shaped Bracket—6167A



##### L-Shaped Bracket with Slot

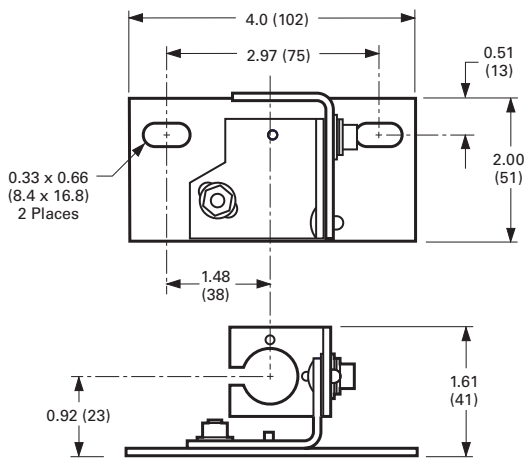


##### Flat Bracket

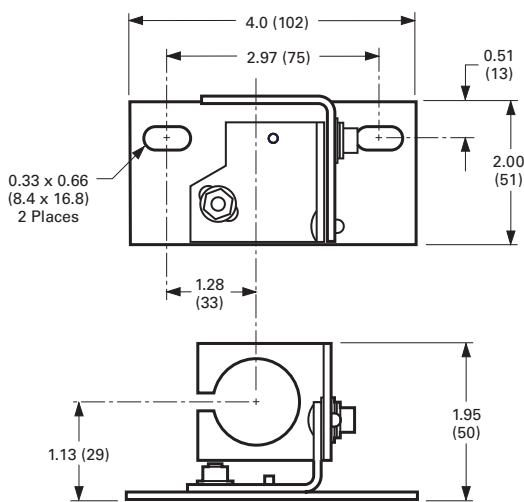


Approximate Dimensions in Inches (mm)

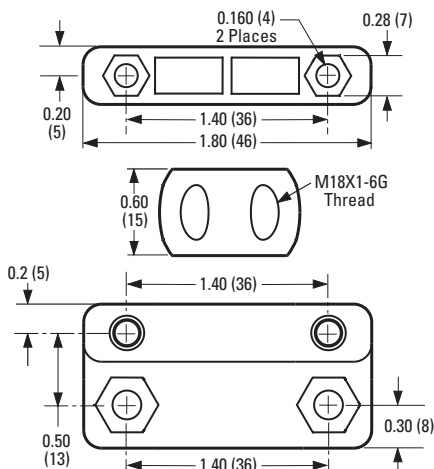
**Adjustable Bracket—E58KAM18**



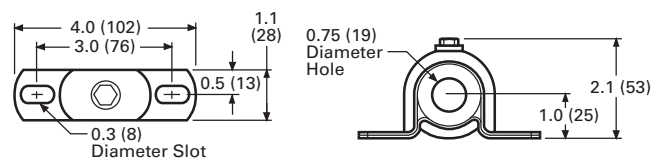
**Adjustable Bracket—E58KAM30**



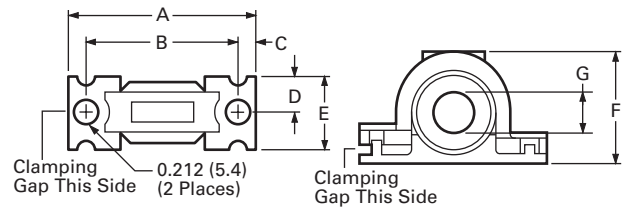
**18 mm Ball Swivel Bracket**



**Metal Ball Swivel Mount**



**Plastic Ball Swivel Mount**

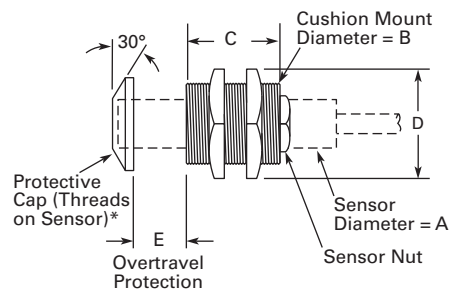


Size	A	B	C	D
8 mm	1.96 (49.8)	1.56 (39.6)	0.20 (5.1)	0.40 (10.2)
18 mm	2.80 (71.1)	2.25 (57.2)	0.275 (7.0)	0.50 (12.7)

	E	F	G
8 mm	0.80 (20.3)	1.05 (26.7)	0.375 (9.5)
18 mm	1.00 (25.4)	1.64 (41.7)	0.75 (19.1)

**Cushioned Sensor Mounts ①**



Size	A	B	C	D	E
8 mm	M8 x 1	M16 x 1.5	0.87 (22)	0.87 (22)	0.35 (9)
12 mm	M12 x 1	M22 x 1.5	0.87 (22)	1.12 (29)	0.41 (10)
18 mm	M18 x 1	M30 x 1.5	1.17 (30)	1.41 (36)	0.49 (12)
30 mm	M30 x 1.5	M47 x 1.5	1.47 (37)	1.72 (51)	0.57 (15)

**Note**  
 ① Sensing range will be reduced by thickness of cap's wear surface: 0.030 in (0.76 mm) maximum.