

Chelsea® 340 Series

One Speed Forward and Reverse
Mechanical P.T.O.



Overview:

The Chelsea 340 Series P.T.O. is another example of why Chelsea P.T.O. technology is the best in the business. This economical workhorse features a cast iron housing and heavy duty ball bearing on the output shaft, giving it a high torque rating and long service life. Chelsea was the first to provide you with an Air shifted forward and reverse speed P.T.O. Its flexible Air shift design allows you to mount the air shift cylinder in the best position for maximum clearance. Torque rating up to 200 Lbs. ft. make this one versatile P.T.O. Take advantage of over 65 years of Chelsea P.T.O. technology to increase performance and lower costs.

- Oil Field
- Logging



Product Features and Benefits:

Contact Information:

Parker Hannifin Corporation
Chelsea Products Division
8225 Hacks Cross Road
Olive Branch, MS 38654 USA

Phone: 1-888-PH4-TRUK
(1-888-744-8785)

Fax: 1-662-895-1069
chelseacustserv@parker.com

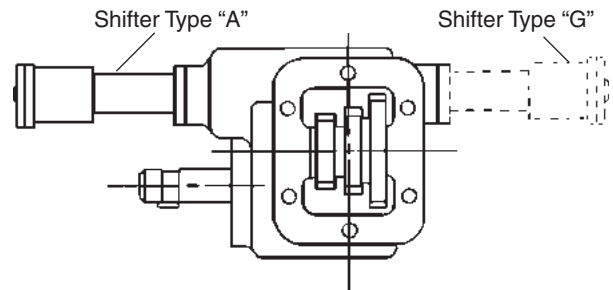
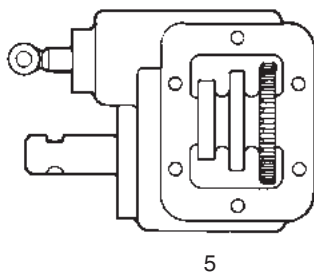
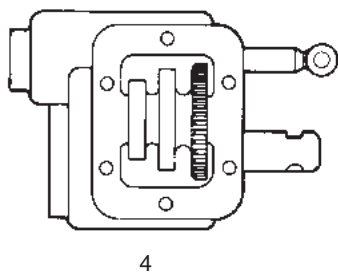
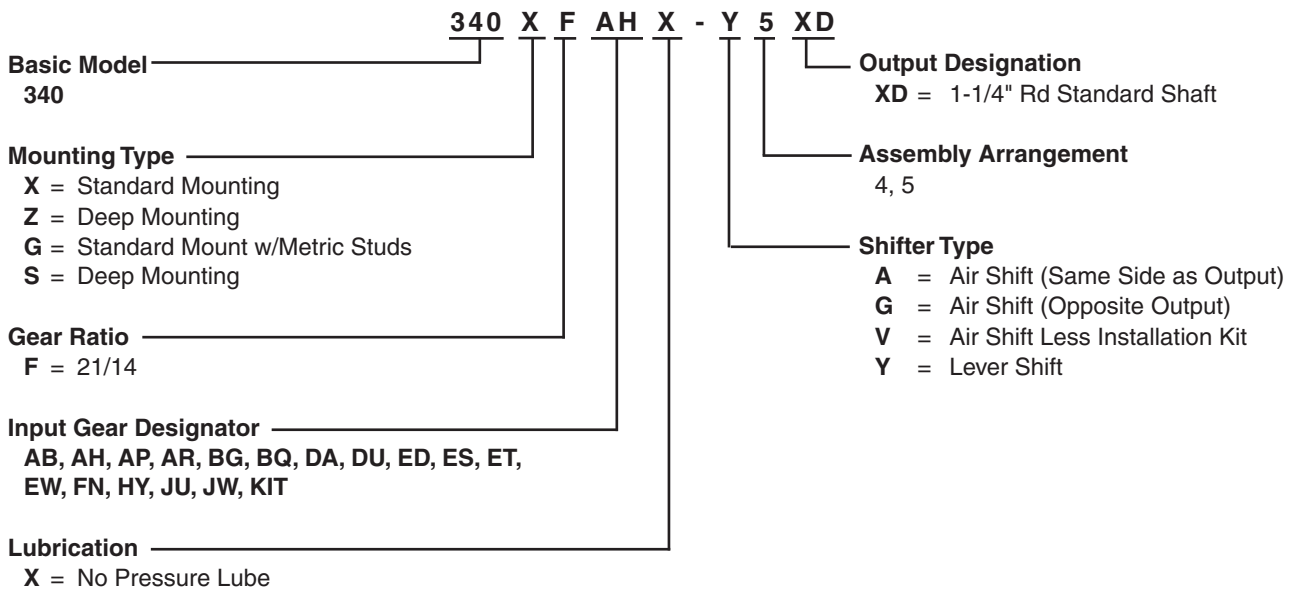
www.parker.com/chelsea

- Single low-speed forward and reverse
- 6-Bolt Mounting Pad
- Removable cover plate for adjusting backlash
- Product Features and Benefits
- Shift options include air and lever
- Two Year Warranty
- Variety of input gears to cover most applications



ENGINEERING YOUR SUCCESS.

Model Number Designation



Specifications Chart – 340 Series

	340*F
Standard Output Shaft Size	————— 1-1/4" Round w/key —————
Intermittent Torque Rating (Lbs. ft.)	200
Intermittent Torque Rating (N.m.)	271
Horsepower Rating for Intermittent Service	
At 500 R.P.M. of Output Shaft (HP)	19
At 1000 R.P.M. of Output Shaft (HP)	38
At 500 R.P.M. of Output Shaft (Kw)	14
At 1000 R.P.M. of Output Shaft (Kw)	28
Approximate Weight:	————— 32 lbs. [15 kg] —————

© 2012 Parker Hannifin Corporation

Supercedes HY25-0106-B1/US June 2010

HY25-0106-B1/US February 2012



ENGINEERING YOUR SUCCESS.