

HYDAC Breathers

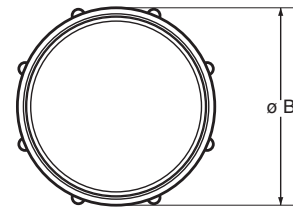
HBRP Series



Specifications:

- Durable synthetic material
- 40 micron
- NPT threaded connection
- Optional dipstick

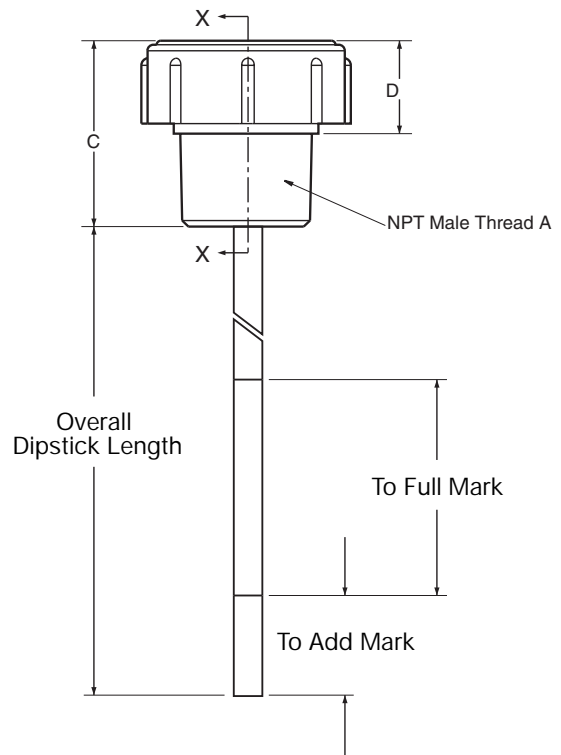
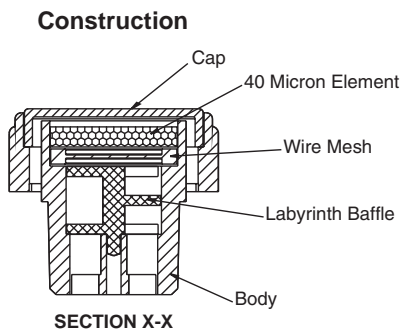
Dimensions:



Description:

This compact plastic design has a sponge element and threaded connection with anti-splash baffle. Dipsticks are available to the customer's requirements - see ordering information below.

Construction:



40 micron Breathers (Contact HYDAC for 10 micron)

Model Code	Part No.	Displace (GPM)	Airflow (SCFM)	A (NPT)	Ø B	C	D
<i>HBRP-3/8NPT-40-1-1-A</i>	<i>02076916</i>	55	7	3/8"	1.36 34.54mm	1.31" 33.27mm	0.73" 18.54mm
<i>HBRP-1/2NPT-40-1-1-A</i>	<i>02076917</i>	75	10	1/2"	1.57" 39.88mm	1.56" 39.62mm	0.76" 19.30mm
HBRP-3/4NPT-40-1-1-A	02076109	115	15	3/4"	1.77" 44.96mm	1.60" 40.64mm	0.78" 19.81mm
<i>HBRP-1NPT-40-1-1-A</i>	<i>02076918</i>	150	20	1"	1.97" 50.04mm	1.93" 49.02mm	0.95" 24.13mm

Dimensions are for general information only, all critical dimensions should be verified by requesting a certified print.

Model Codes and Part numbers listed in red italics are non-standard items – Minimum quantities may apply – Contact HYDAC for information and availability

Ordering:

To order models without dipsticks, simply use the model code from the chart above. If a dipstick is required (*dipsticks are special order items and minimum quantities may apply*), also include:

- Overall Length
 - To Add Mark
 - To Full Mark
- refer to dimension drawing above