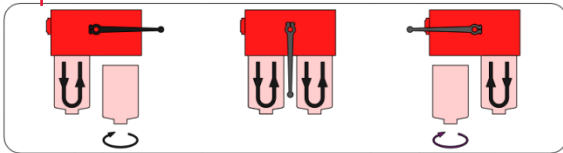
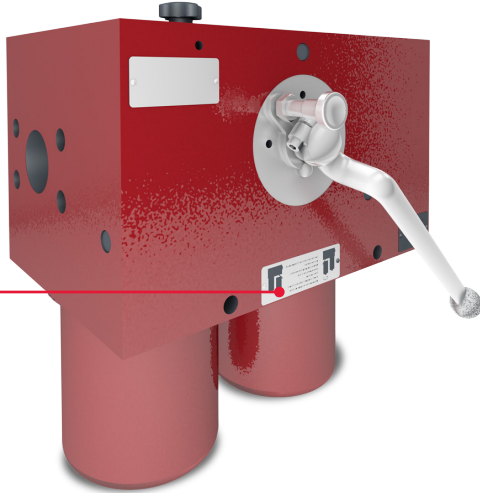




DFDK Series

High Flow Duplex Filters

Sizes 330, 500, 660, 990, 1320



It's here! - HYDAC's answer to your high-flow duplex pressure filter challenges!

You asked for it, and HYDAC delivers! Introducing the new-and-improved DFDK Series filter, for high-flow duplex filter applications (sizes 330, 500, 660, 990, and 1320). It boasts a lower ΔP in a more compact design, a replaceable check valve, and offers a host of unique options never before available.

These changes are effective immediately, so look for these improvements in your next order. New part numbers will be assigned, superseding all old part numbers.

Benefits

- Lower Δp (up to 20%)
- More compact design - results in a weight reduction of approximately 100 lbs (50 kg)
- New replaceable check valve - improves ease of maintenance
- Lever lock option (code SO668) - provides performance protection
- T-ball transfer valve option - allows for simultaneous flow through both filter elements

Please note, some configuration changes:

Model Codes

Transfer valve model code designation:

Was: A = ball valve
Changes to: L = L-ball
T = T-ball

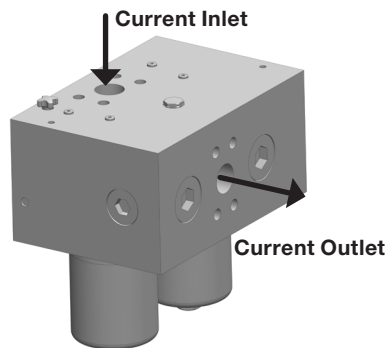
Modification number:

Was: X.1
Changes to: X.2

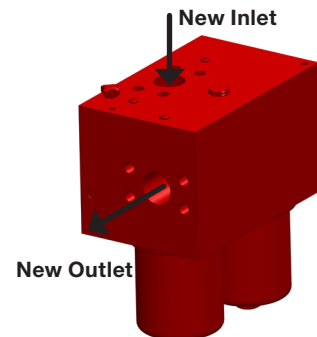
Example: DFDK BN/HC 660 QAL 10 D 1.1 /-L24 (current version)
DFDK BN/HC 660 QLL 10 D 1.2 /-L24 (new version)

Outlet Position

Current design, version X.1
Outlet - located in back



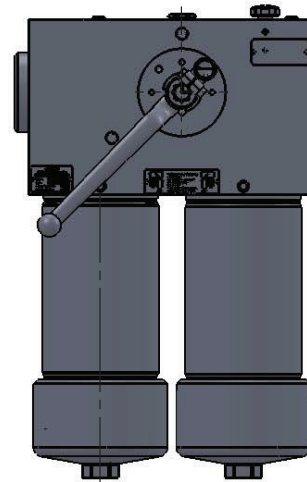
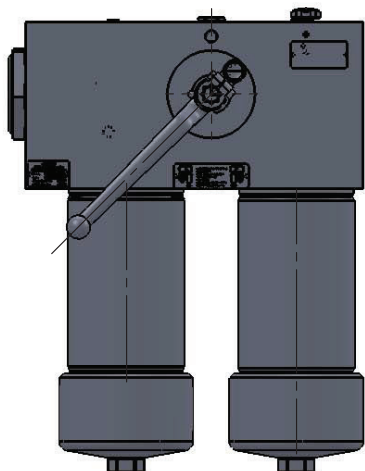
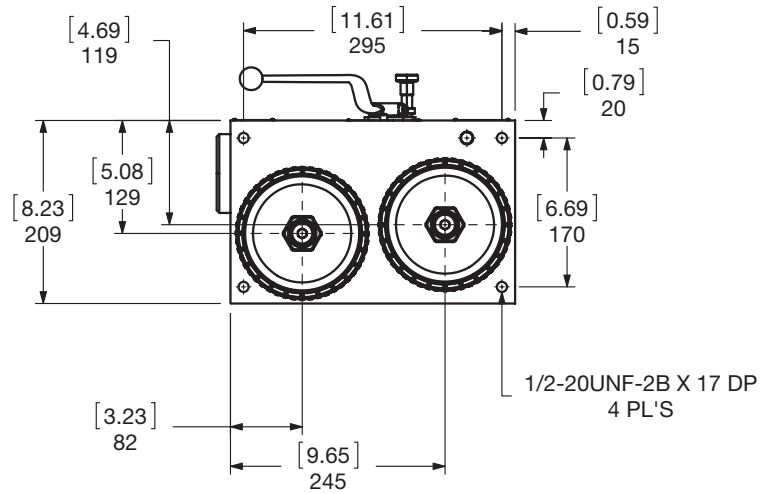
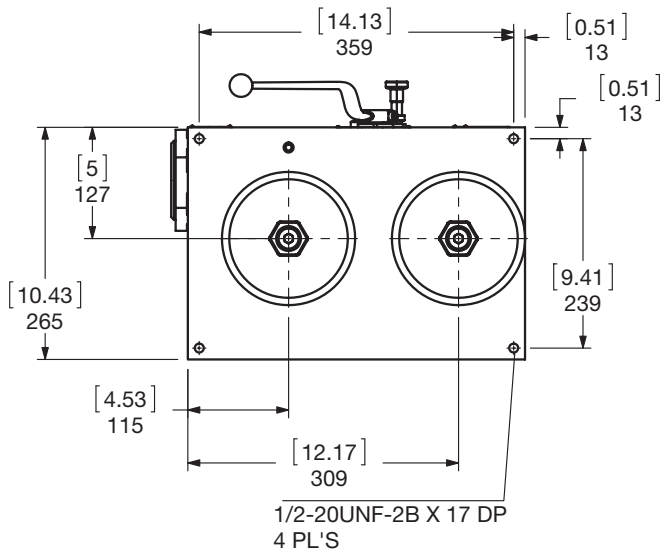
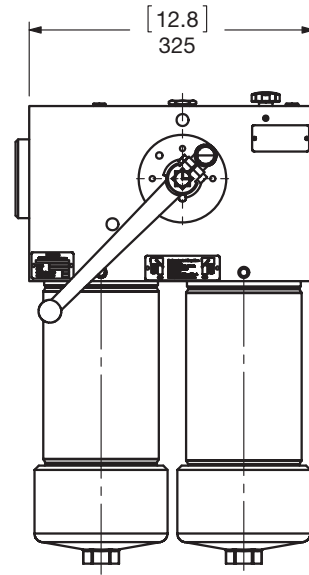
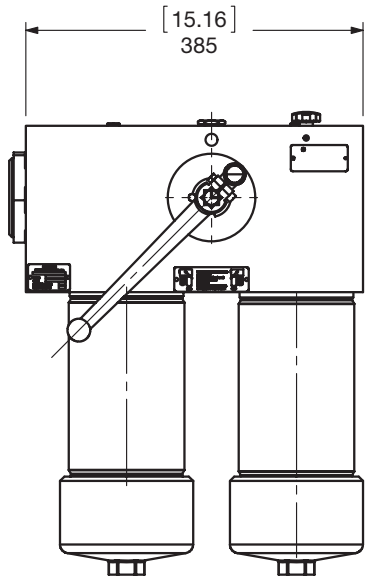
New design, version X.2
Outlet - located on side
(same as sizes 60, 110, 160, 240, 280)



Dimensional and mounting hole changes, outlined below

Current design, version 1.1

New design, version 1.2



Dimensions are [inches] millimeters

Dimensional details for new design, version X.2

