

Consoles

H335 Consoles

Features

- Consoles with or without mounting plate
- Ergonomically designed console assures optimum viewing and operation of control devices

Product Description

- Ground connection: On console, doors and mounting plate
- Console top; Opening struts on right side (if W=31.50" on both sides)
- Front door: Opening angle 180°, mounting on right or left side
- Seal: Foamed seal corresponding to protection class IP 559 to EN 60529, Nema 12
- Rear panel: closed
- Lock: Latch lock double mandrel 3 mm

- Cable entry plate: Secured from inside
- Mounting plate: Galvanized sheet steel, can be installed in two different height positions
- Excellent surface finish protection with improved pretreatment of the sheet metals by iron phosphatization and chrome-free repassivation as well as pollution free powder coating

- Protection type: IP55
- Approvals: GL

Scope of Delivery

- Console complete with cable entry plate

Accessories

- Bases 0346, height 3.94" → page 81
- Bases 0346, height 7.87" → page 81

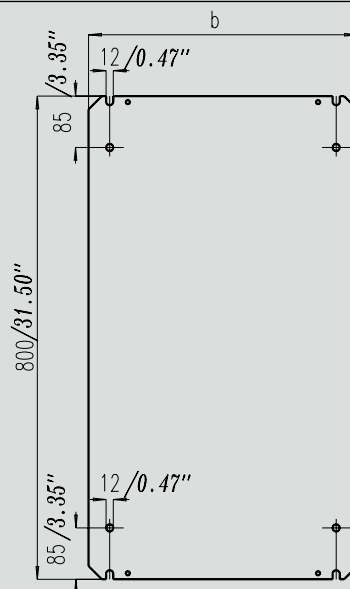
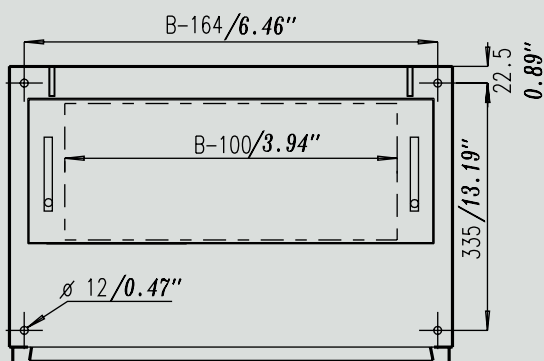
Technical Data

- Depth: 492 mm in bottom sections, in top section it can be up to 650.
- Grounding per DIN EN 60439-1,
- Material: Sheet steel
- Surface finish: Powder coated RAL 7035
- Metal thickness frame: 1.5 mm; 16 ga
- Metal thickness Mounting plate: 2.5 mm; 12 ga
- Material thickness Consoles top: 2 mm; 14 ga

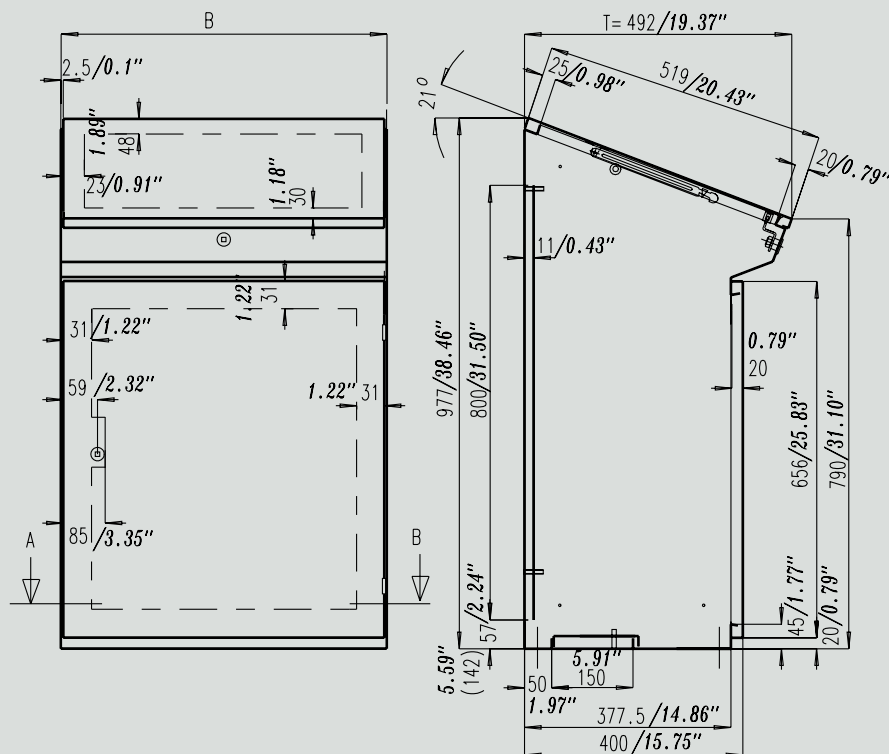
Dimensions (WxHxD)		Weight		Order No.
mm	inch	kg	lbs	
500 x 977 x 492	19.69 x 38.46 x 19.37			0335-5010-49-07
500 x 977 x 492	19.69 x 38.46 x 19.37	40	88.2	0335-5010-49-17
600 x 977 x 492	23.62 x 38.46 x 19.37			0335-6010-49-07
600 x 977 x 492	23.62 x 38.46 x 19.37	46	101.43	0335-6010-49-17
800 x 977 x 492	31.5 x 38.46 x 19.37			0335-8010-49-07
800 x 977 x 492	31.5 x 38.46 x 19.37	60	132.3	0335-8010-49-17
1,000 x 977 x 492	39.37 x 38.46 x 19.37			0335-1010-49-07
1,000 x 977 x 492	39.37 x 38.46 x 19.37	69	152.14	0335-1010-49-17²⁾

²⁾ with two doors

Technical Information



Mounting plate



Dimension

Accessories

Bases, height 3.94" Details → page 208

Description	Dimensions		Hole dimension (S)		Dimension T		Order No.
	mm	inch	mm	inch	mm	inch	
Mounting holes: Ø 0.47" in top and bottom, for attachment to console or base	600	23.62	335	13.19	380	14.96	0346-6001-40-17
	800	31.5	335	13.19	380	14.96	0346-8001-40-17

Bases, height 7.87" Details → page 208

Description	Dimensions		suitable for depth		Order No.
	mm	inch	mm	inch	
Quick and easy installation High lifting capacity	500	19,68	400	15,75	0346-5002-40-07
	600	23,62	400	15,75	0346-6002-40-07
	800	31,5	400	15,75	0346-8002-40-07
	1.000	39,37	400	15,75	0346-1002-40-07