

HST50 / HST60 / HST80

“One source for control cabinet, pendant arm, and enclosure”



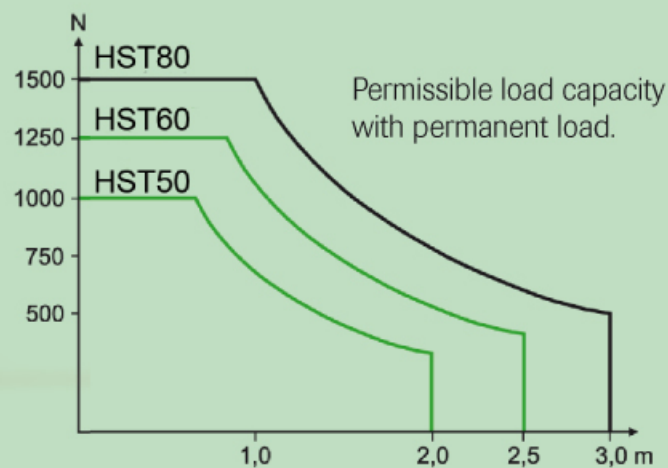
Strong and flexible pendant arm systems

Standard 50 - HST50
 Standard 60 - HST60
 Standard 80 - HST80

- Up to 3 meters (10 ft) overall system length
- By combining the different elements with the available square profiles a huge variety of individual preferences can be met
- Compatible to all commercially available enclosures

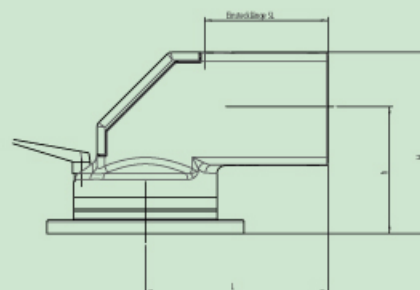
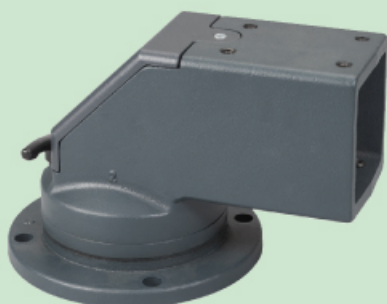


Permissible load capacity with permanent load. If using a joint, load capacity must be lowered by 40%.



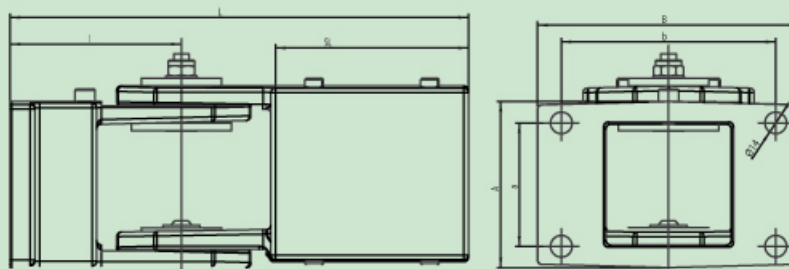
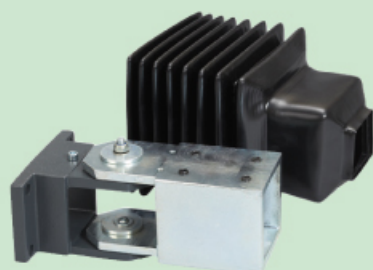
HST 50 / HST 60 / HST 80

Set-up joint



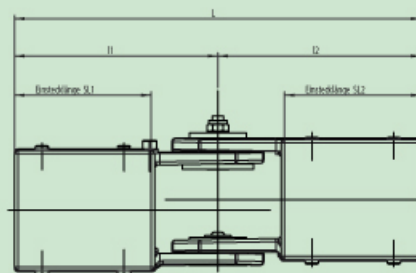
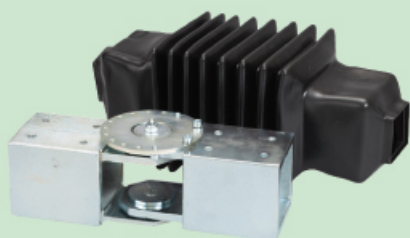
Description	L		SL		h		H		Order No.
	mm	inch	mm	inch	mm	inch	mm	inch	
Set-up joint HST50	119	4.69	75	2.95	108,5	4.27	147	5.79	7555-7405-01-01
Set-up joint HST60	137	5.39	85	3.35	119,5	4.70	163	6.42	7565-7406-01-01
Set-up joint HST80	185	7.28	125	4.92	129	5.08	184	7.24	7585-7408-01-01

Wall joint



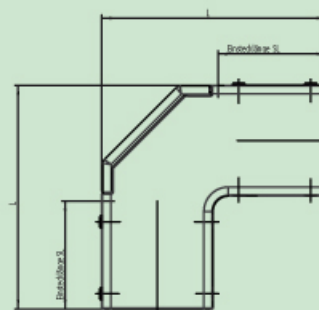
Description	L		SL		I		A		a		B		b		Order No.
	mm	inch	mm	inch	mm	inch	mm	inch	mm	inch	mm	inch	mm	inch	
HST50	200	7.87	72	2.83	85	3.35	74	2.91	50	1.97	135	5.31	107	4.21	7555-7405-02-01
HST60	204	8.03	71	2.80	87	3.42	84	3.31	60	2.36	140	5.51	115	4.53	7565-7406-02-01
HST80	297	11.69	125	4.92	111	4.37	108	4.25	80	3.15	170	6.69	139	5.47	7585-7408-02-01

Intermediate joint



Description	L		I1		I2		SL1		SL2		Order No.
	mm	inch	mm	inch	mm	inch	mm	inch	mm	inch	
Intermediate joint HST50	230	9.05	115	4.53	115	4.53	75,5	2.97	68,5	2.70	7555-7405-03-01
Intermediate joint HST60	234	9.21	117	4.61	117	4.60	77,5	3.05	70,5	2.78	7565-7406-03-01
Intermediate joint HST80	372	14.65	186	7.32	186	7.32	125	4.92	125	4.92	7585-7408-03-01

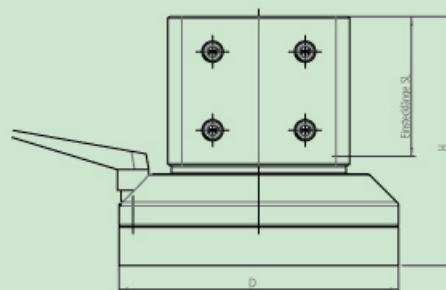
Elbow



Description	L		SL		Order No.
	mm	inch	mm	inch	
Elbow HST50	157	6.18	80	3.15	7555-7405-04-01
Elbow HST60	167	6.57	80	3.15	7565-7406-04-01
Elbow HST80	218	8.58	105	4.13	7585-7408-04-01

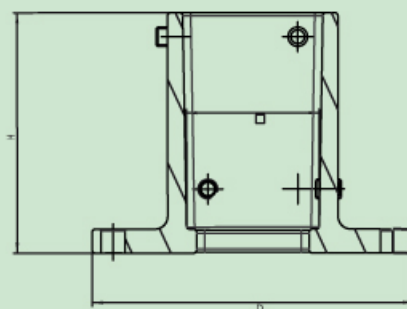
HST 50 / HST 60 / HST 80

Joint



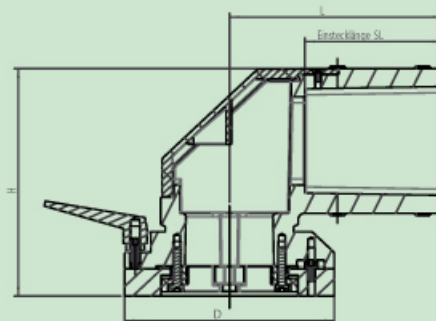
Description	SL		H		D		Order No.
	mm	inch	mm	inch	mm	inch	
Joint HST50	65	2.56	112	4.41	105	4.13	7555-7405-05-01
Joint HST60	65	2.56	112	4.41	105	4.13	7565-7406-05-01
Joint HST80	80	3.15	142,5	5.61	160	6.30	7585-7408-05-01

Base bracket



Description	H		D		Order No.
	mm	inch	mm	inch	
Base bracket HST50	90	3.54	152	5.98	7555-7405-06-01
Base bracket HST60	90	3.54	160	6.30	7565-7406-06-01
Base bracket HST80	150	2.91	200	7.87	7585-7408-06-01

Elbow joint



Description	L		SL		H1		D		Order No.
	mm	inch	mm	inch	mm	inch	mm	inch	
Elbow joint HST50	120	4.72	75	2.95	134	5.28	105	4.13	7555-7405-08-01
Elbow joint HST60	130	5.12	75	2.95	144	5.67	105	4.13	7565-7406-08-01
Elbow joint HST80	162.5	6.40	105	4.13	185.5	7.30	160	6.30	7585-7408-08-01

Steel piping

Product Description

- Compatible to all commercially available enclosures
- Nullification of pipe bending through adjusting screws
- Component inclination through use of

adjustable incline adapter

- Protection class IP54
- Color: Similar RAL 7016 structured (anthracite gray)

Description	Length		Order No.	Order No.	Order No.
	mm	inch	HST50 (50x50)	HST60 (60x60)	HST80 (80x80)
Steel piping 500 mm	500	19.69	7555-7405-30-0500	7565-7406-30-0500	7585-7408-30-0500
Steel piping 1000 mm	1000	39.37	7555-7405-30-1000	7565-7406-30-1000	7585-7408-30-1000
Steel piping 2000 mm	2000	78.74	7555-7405-30-2000	7565-7406-30-2000	7585-7408-30-2000