

MMW ANALOG COUPLER COMPONENT

IN:-10..+10V/(0)4..20 mA - OUT:0..10V/(0)4..20 mA

INPUT: 0...5 V DC, 0...10 V DC, ± 10 V DC

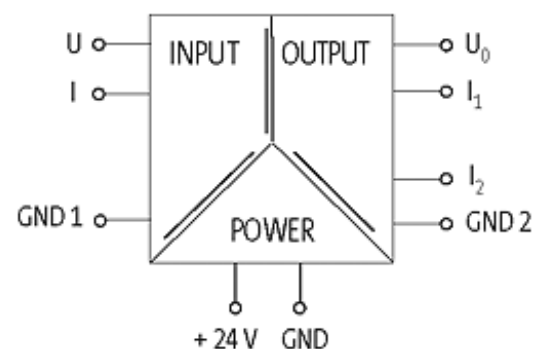
INPUT: 0...20 mA, 4...20 mA

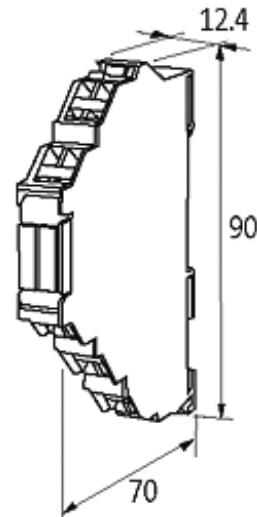
Spring clamp terminals

Input, output, and supply voltage galvanically separated

[Link to Product](#)

Illustration





Product may differ from Image

Technical Data

Operating voltage	24 V DC $\pm 15\%$
Operating current	approx. 50 mA
Tolerance	max. 0.5 %
Frequency	max. 25 Hz

General data

Test isolation voltage	0.75 kV
Mounting method	DIN-rail mountable (EN 60715)
Temperature range	-25...+50 °C
Dimensions H x W x D	80x6.2x70 mm

Current outputs

Load	max. 400 Ohm
------	--------------

Description

Functional description	Due to an integrated current limiter on the output, the output is short circuit and overload protected. A special characteristic of the MULTI Converter Art.-No. 6644207 includes: Analog voltage signals 0...5 V/0...10 V and -10...+10 V and current signals 0.
------------------------	---

Voltage inputs

Input voltage	0...5, 0...10, ± 10 V DC
Input resistor	approx. 100 kOhm

Current input signals

Input current	0...20 mA, 4...20 mA
Load	approx. 75 Ohm

Commercial data

country of origin	CZ
customs tariff number	85437090
minimum order quantity	1