

M12 ROUND PLUG CONNECTORS

Connection cables

– M12 - M12

Y connector

Male straight

Females

straight



Approvals:    * only for products with UL/CSA approved cable

M12 Round Plug Connectors

1 Form	40701	40721
Type	4-pole	4-pole
Circuit diagram		
Contact layout	<p>Y-Male Females</p>	<p>Y-Male Females</p>
2 Cable Type	Jacket Color	
Wire diameter 0.34 mm ²	yellow	gray
PVC (UL/CSA)	013	213
PUR/PVC	023	223
PUR (UL/CSA)	033	233
PUR (UL/CSA), welding spark res.	053	253
	black	black
	613	613
	623	623
	633	633
	653	653
3 Cable Length		
0.3 m	0030	
0.6 m	0060	
1.0 m	0100	
1.5 m	0150	
2.0 m	0200	
Technical Data		
Operating voltage	max. 250 V AC/DC	
Protection	IP65 and IP67 when plugged and screwed down (EN 60529)	
Temperature range	-25...+85 °C, depending on cable quality	
Article No.		
The composition of your article number is explained on page 3.1.i	7 0 0 0	- - - - -
	7 0 0 5	M12 Lite (plastic hexagonal screw) on request
	1 Form	2 Cable Type
		3 Cable Length
Notes		
	Other versions on request. Differing cable lengths up to 2 m can be ordered in 0.2 m steps, from 2 m on in 0.5 m steps.	

M12 ROUND PLUG CONNECTORS

Connection cables

– M12 - M12

Y connector

Male straight

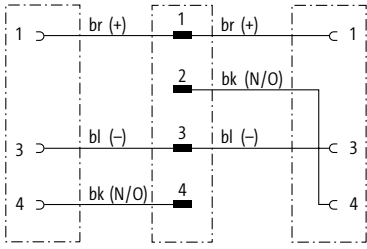
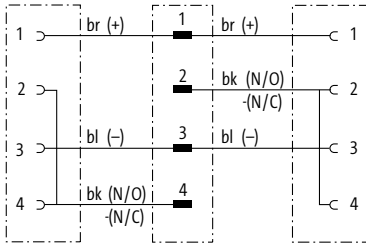
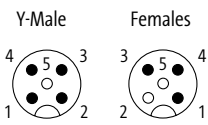
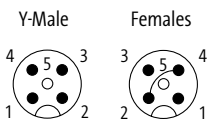
Females

90°



Approvals:   

* only for products with UL/CSA approved cable

1 Form		40741			40761		
Type	4-pole				4-pole		
Circuit diagram							
Contact layout							
2 Cable Type	Jacket Color				Jacket Color		
Wire diameter 0.34 mm ²	yellow	gray	black	yellow	gray	black	
PVC (UL/CSA)	013	213	613	013	213	613	
PUR/PVC	023	223	623	023	223	623	
PUR (UL/CSA)	033	233	633	033	233	633	
PUR (UL/CSA), welding spark res.	053	253	653	053	253	653	
3 Cable Length							
0.3 m	0030						
0.6 m	0060						
1.0 m	0100						
1.5 m	0150						
2.0 m	0200						
Technical Data							
Operating voltage	max. 250 V AC/DC						
Protection	IP65 and IP67 when plugged and screwed down (EN 60529)						
Temperature range	-25...+85 °C, depending on cable quality						
Article No.							
The composition of your article number is explained on page 3.1.i	7 0 0 0			7 0 0 5			
				M12 Lite (plastic hexagonal screw) on request			
	1 Form		2 Cable Type		3 Cable Length		
Notes	Other versions on request. Differing cable lengths up to 2 m can be ordered in 0.2 m steps, from 2 m on in 0.5 m steps.						

M12 ROUND PLUG CONNECTORS

Connection cables

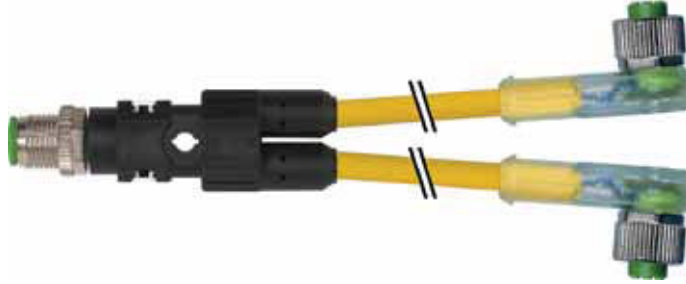
– M12 - M12

Y connector

Male straight

Females

90° with LED



Approvals:   

* only for products with UL/CSA approved cable

1 Form

40781

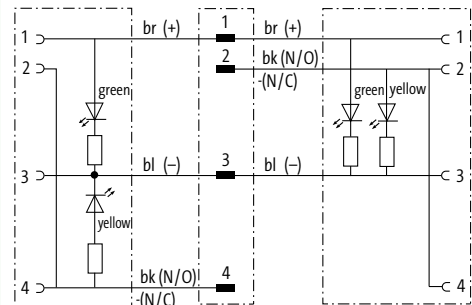
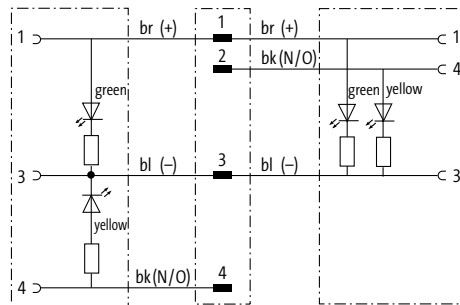
40801

Type

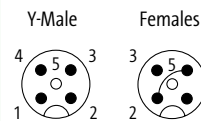
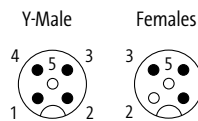
4-pole with 2 × LED (PNP)
(NPN) on request

4-pole with 2 × LED (PNP)
(NPN) on request

Circuit diagram



Contact layout



2 Cable Type

Jacket Color

Jacket Color

Wire diameter 0.34 mm ²	yellow	gray	black	yellow	gray	black
PVC (UL/CSA)	013	213	613	013	213	613
PUR/PVC	023	223	623	023	223	623
PUR (UL/CSA)	033	233	633	033	233	633
PUR (UL/CSA), welding spark res.	053	253	653	053	253	653

3 Cable Length

0.3 m	0030
0.6 m	0060
1.0 m	0100
1.5 m	0150
2.0 m	0200

Technical Data

Operating voltage	24 V DC ±25 %
Protection	IP65 and IP67 when plugged and screwed down (EN 60529)
Temperature range	-25...+85 °C, depending on cable quality

Article No.

The composition of your article number is explained on page 3.1.i

7 0 0 0

7 0 0 5

M12 Lite (plastic hexagonal screw) on request

1 Form

2 Cable Type

3 Cable Length

Notes

Other versions on request. Differing cable lengths up to 2 m can be ordered in 0.2 m steps, from 2 m on in 0.5 m steps.