

Single-phase

Control, isolation and safety transformers to EN 61558

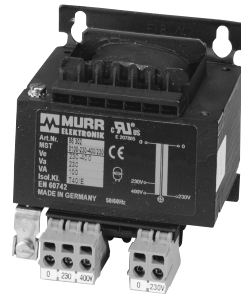
Touch protected to EN 60529 (IP20)

Isolation class T 40/B

Approvals:

MTS

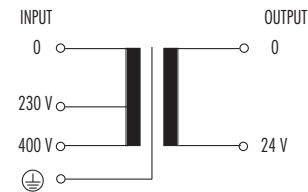
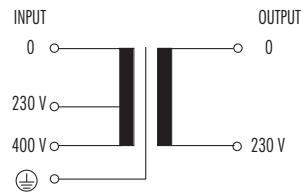
Input voltage 230/400 V AC
Output voltage 230 V AC



MTS

Input voltage 230/400 V AC
Output voltage 24 V AC SELV

Circuit diagram

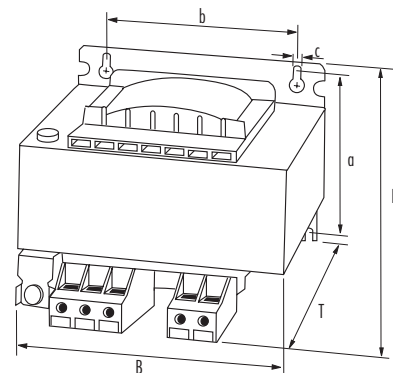


Ordering data	Art.-No.	Art.-No.
Nominal power rating		
40 VA	86300	86320
63 VA	86301	86321
100 VA	86302	86322
160 VA	86303	86323
200 VA	86304	86324
250 VA	86305	86325
320 VA	86306	86326
400 VA	86307	86327
500 VA	86308	86328
630 VA	86309	86329
800 VA	86310	86330
1000 VA	86311	86331

Technical data

Input voltage	230/400 V AC	
Output voltage	230 V AC	24 V AC SELV
Frequency	50/60 Hz	
Transformer specification	EN 61558-2-4 and EN 62041 category 0	EN 61558-2-6 and EN 62041 category 0
Test voltage	prim./sec. 4 kV AC	
Isolation class	T 40/B	
Temperature range	-20...+40 °C, no condensation	
Mounting method	key-hole mounting	

Dimension drawing/Dimensions (mm)



	H x B x T	a x b x c	Ø	Weight
40 VA	80 x 66 x 78	53 x 50 x 4.8	4.8 x 8.1	0.8 kg
63 VA	73 x 78 x 87	47.5 x 56 x 4.8	4.8 x 8.1	1.15 kg
100 VA	83 x 84 x 92	65.5 x 64 x 4.8	4.8 x 8.1	2.0 kg
160 VA	92 x 96 x 102	75.5 x 84 x 5.8	5.8 x 9	2.65 kg
200 VA	92 x 96 x 102	75.5 x 84 x 5.8	5.8 x 9	2.85 kg
250 VA	106 x 96 x 102	84 x 84 x 5.8	5.8 x 9	3.45 kg
320 VA	92.5 x 120 x 120	74.5 x 90 x 5.8	5.8 x 9	4.15 kg
400 VA	104.5 x 120 x 120	86.5 x 90 x 5.8	5.8 x 9	5.15 kg
500 VA	108 x 135 x 132	87 x 104 x 5.8	5.8 x 9	6.5 kg
630 VA	112 x 150 x 145	90 x 122 x 7.0	7.0 x 10	7.7 kg
800 VA	129 x 144 x 142	107 x 122 x 7.0	7.0 x 10	10.1 kg
1000 VA	129 x 174 x 158	102 x 135 x 7.0	7.0 x 10	12.3 kg

Notes

For other voltages on request.