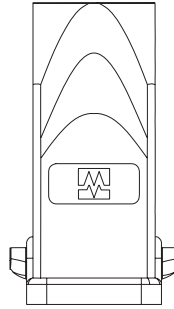
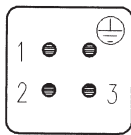


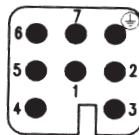
## MODLINK HEAVY FIXED POLE OVERVIEW – SIZE A3



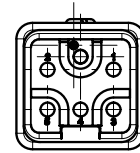
Hood  
Single locking lever  
Top entry  
IP67



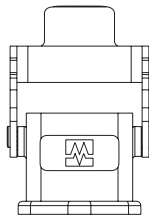
**A-Series**  
400 V / 10 A  
3 + PE  
Screw locking



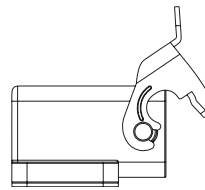
**D-Series**  
250 V / 16 A  
7 + PE  
Crimp



**Q-Series**  
400 V / 16 A  
5 + PE  
Crimp



Bulkhead mounted housing  
Single locking lever  
IP67



Bulkhead mounted housing angled  
Single locking lever  
IP65

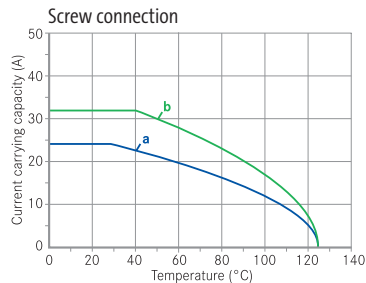
## MODLINK HEAVY A3 – INSERTS | A-SERIES

## Technical Data

General data	Norm	Value
Size		A3
No. of poles		3 + PE
Connection		Screw locking
Connection cross section		0.5 ... 1.5 mm <sup>2</sup>
Material (contact carrier)		PA GF grey
Material (contact)		CuZn (brass)
Material (contact surface)		Ag (silver)
Flammability class	UL 94	V - 0
Climatic category		40/125/21
Temperature range		-40 °C ... +125°C
Approvals		UL, CSA
Technical data		
Operating voltage		400 V
Operating current		10 A
Pollution degree	EN 60664-1	3
Over voltage category	EN 60664-1	III
Material group	EN 60664-1	IIIb
Rated impulse voltage	EN 60664-1	4 kV
Current carrying capacity	EN 60512-5-2	See derating curve
Contact resistance	EN 60512-2-1	≤ 5 mΩ
Isolation resistance	EN 60512-3-1	≥ 10 <sup>10</sup> Ω
Mating cycles	EN 60512-9-1	min. 500
Tightening torque clamping screws		0.2 Nm

## Derating curves

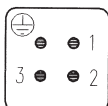
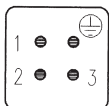
Curve	Cross section
a	1.5 mm <sup>2</sup>
b	2.5 mm <sup>2</sup>




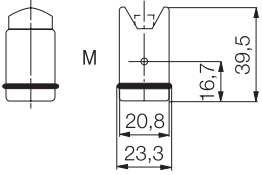

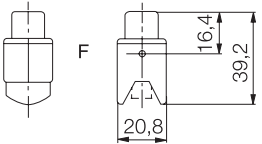
## Contact configuration

Male insert

Female insert



## Inserts

Male	Dimension drawing	Description	Art-No.
		<p>A3 male 3-pole, Screw locking t., 400 V, 10 A</p>	<p><b>70MH-ES003-AS02010</b></p>
		<p>A3 female 3-pole, Screw locking t., 400 V, 10 A</p>	<p><b>70MH-EB003-AS02010</b></p>

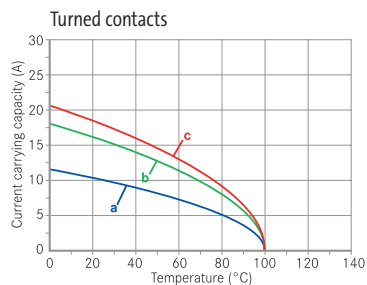
## MODLINK HEAVY A3 – INSERTS | D-SERIES

### Technical data

General data	Norm	Value
Size		A3
No. of poles		7 + PE
Connection		Crimp
Material (contact carrier)		PBTP grey
Flammability class	UL 94	V - 0
Climatic category		40/125/21
Temperature range		-40 °C ... +125°C
Approvals		UL, CSA
Technical data		
Operating voltage		250 V
Operating current		16 A
Pollution degree	EN 60664-1	3
Over voltage category	EN 60664-1	III
Material group	EN 60664-1	IIIb
Rated impulse voltage	EN 60664-1	4 kV
Current carrying capacity	EN 60512-5-2	See derating curve
Contact resistance	EN 60512-2-1	≤ 5 mΩ
Isolation resistance	EN 60512-3-1	≥ 10 <sup>10</sup> Ω
Mating cycles	EN 60512-9-1	min. 500

### Derating curves

Curve	Cross section
a	0.5 mm <sup>2</sup>
b	1.5 mm <sup>2</sup>
c	2.5 mm <sup>2</sup>




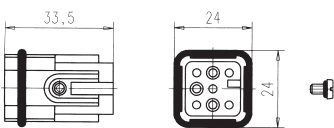

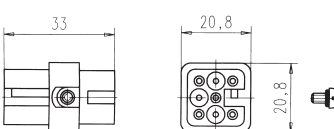
### Contact configuration

Male insert


Female insert



## Inserts

Male	Dimension drawing	Description	Art-No.
		A3 male 7-pole, crimp t., 250 V, 16 A	70MH-ES007-AC01020
Female	Dimension drawing	Description	Art-No.
		A3 female 7-pole, crimp t., 250 V, 16 A	70MH-EB007-AC01020

## Crimp contacts

Turned Crimp contacts   1.6 mm	Delivery form	for wire cross section	AWG	Pcs.	Art-No.	
					Male contact	Female contact
	Silver plated	0.14–0.37 mm <sup>2</sup>	26–22	100	70MH-ZKA1S-0100100	70MH-ZKB1S-0100100
		0.5 mm <sup>2</sup>	20	100	70MH-ZKA1S-0100200	70MH-ZKB1S-0100200
		0.75–1.0 mm <sup>2</sup>	20–16	100	70MH-ZKA1S-0100300	70MH-ZKB1S-0100300
		1.5 mm <sup>2</sup>	16–15	100	70MH-ZKA1S-0100400	70MH-ZKB1S-0100400
		2.5 mm <sup>2</sup>	14	100	70MH-ZKA1S-0100500	70MH-ZKB1S-0100500
	Golden plated	0.14–0.37 mm <sup>2</sup>	26–22	100	70MH-ZKA1G-0100100	70MH-ZKB1G-0100100
		0.5 mm <sup>2</sup>	20	100	70MH-ZKA1G-0100200	70MH-ZKB1G-0100200
		0.75–1.0 mm <sup>2</sup>	20–16	100	70MH-ZKA1G-0100300	70MH-ZKB1G-0100300
		1.5 mm <sup>2</sup>	16–15	100	70MH-ZKA1G-0100400	70MH-ZKB1G-0100400
		2.5 mm <sup>2</sup>	14	100	70MH-ZKA1G-0100500	70MH-ZKB1G-0100500

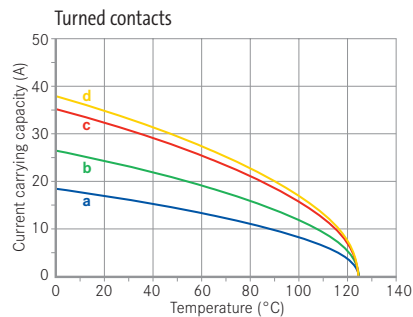
## MODLINK HEAVY A3 – INSERTS | Q-SERIES

### Technical data

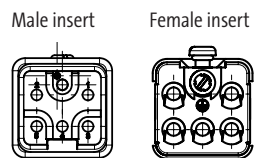
General data	Norm	Value
Size		A3S
No. of poles		5 + PE
Connection		Crimp
Material (contact carrier)		PC GF grey
Flammability class	UL 94	V - 0
Climatic category		40/125/21
Temperature range		-40 °C ... +125°C
Approvals		UL, CSA
Technical data		
Operating voltage		400 V (Pin - Pin), 230 V (Pin - PE)
Operating current		16 A
Pollution degree	EN 60664-1	3
Over voltage category	EN 60664-1	III
Material group	EN 60664-1	IIIb
Rated impulse voltage	EN 60664-1	6 KV
Current carrying capacity	EN 60512-5-2	See derating curve
Contact resistance	EN 60512-2-1	≤ 5 mΩ
Isolation resistance	EN 60512-3-1	≥ 10 <sup>10</sup> Ω
Mating cycles	EN 60512-9-1	min. 500

### Derating curves


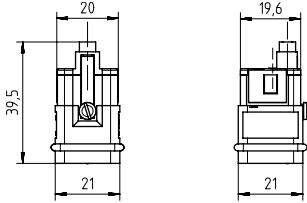

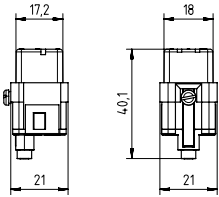
Curve	Cross section
a	1.0 mm <sup>2</sup>
b	1.5 mm <sup>2</sup>
c	2.5 mm <sup>2</sup>
d	4.0 mm <sup>2</sup>




### Contact configuration




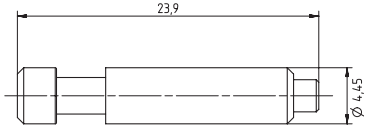
## Inserts

Male	Dimension drawing	Description	Art-No.
		A3 male 5-pole, crimp t., 400 V, 16 A	70MH-ES005-AC02020
Female	Dimension drawing	Description	Art-No.
		A3 female 5-pole, crimp t., 400 V, 16 A	70MH-EB005-AC02020

## Crimp contacts

Turned Crimp contacts   2.5 mm	Delivery form	for wire cross section	AWG	Pcs.	Art-No.	
					Male contact	Female contact
	Silver plated	0.5 mm <sup>2</sup>	20	100	70MH-ZKA1S-0200200	70MH-ZKB1S-0200200
		0.75–1.0 mm <sup>2</sup>	18	100	70MH-ZKA1S-0200300	70MH-ZKB1S-0200300
		1.5 mm <sup>2</sup>	16	100	70MH-ZKA1S-0200400	70MH-ZKB1S-0200400
		2.5 mm <sup>2</sup>	14	100	70MH-ZKA1S-0200500	70MH-ZKB1S-0200500
		4.0 mm <sup>2</sup>	12	100	70MH-ZKA1S-0200600	70MH-ZKB1S-0200600
	Golden plated	0.5 mm <sup>2</sup>	20	100	70MH-ZKA1G-0200200	70MH-ZKB1G-0200200
		0.75–1.0 mm <sup>2</sup>	18	100	70MH-ZKA1G-0200300	70MH-ZKB1G-0200300
		1.5 mm <sup>2</sup>	16	100	70MH-ZKA1G-0200400	70MH-ZKB1G-0200400
		2.5 mm <sup>2</sup>	14	100	70MH-ZKA1G-0200500	70MH-ZKB1G-0200500
		4.0 mm <sup>2</sup>	12	100	70MH-ZKA1G-0200600	70MH-ZKB1G-0200600


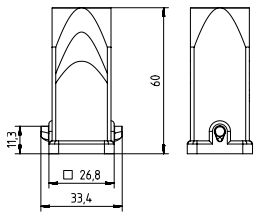
## Accessory

	Dimension drawing	Description	Art-No.
		Coding element 10 pieces	70MH-ZC004-1000000

## MODLINK HEAVY A3 – HOUSINGS | HOODS FOR SINGLE LOCKING LEVER

## Technical data

General data	Value
Material (Housing)	Aluminum diecast
Material (Housing surface)	Powder coated
Technical data	
Protection class housing	IP67
Mating cycles	min. 500


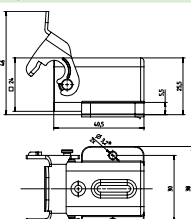

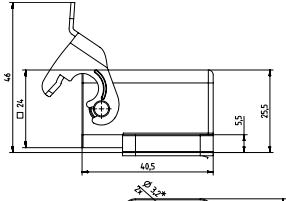
	Dimension drawing	Description	M	Art-No.
		A3 Hood, IP67, Single locking lever, top entry M20	20	<b>70MH-GTANL-A01B100</b>



## MODLINK HEAVY A3 – HOUSINGS | HOUSINGS WITH SINGLE LOCKING LEVER

### Technical data

General data	Value
Material (Housings)	Aluminum diecast
Material (Housing surface)	Powder coated
Locking material	Steel (galvanized)
Material (Gasket)	NBR
Technical data	
Protection class housing	IP65/IP67
Mating cycles	min. 500

	Dimension drawing	Description	M	Art-No.
		A3 Bulkhead mounted h., angled, IP65, Single locking lever		<b>70MH-GAAAL-B000000</b>
		A3 Bulkhead mounted h., IP67, Single locking lever		<b>70MH-GAANL-B000100</b>