



627 SERIES

- Ranges from 0 inH₂O to 50 inH₂O through 0 psig to 350 psig
- Current output
- 316 stainless and 17-4PH steel wetted parts
- Factory Mutual and Canadian Standards Association approved
- CE compliant to suppress RFI, EMI and ESD

APPLICATIONS

- Irrigation
- Tank monitoring
- Water & wastewater
- Well head measurement

NOSHOK 627 Series transmitters are Factory Mutual and Canadian Standards Association approved for use in hazardous location applications as follows:
 Intrinsically Safe, entity approval for Class I, II and III, Division 1, Groups A, B, C, D, E, F and G; and Class I, Zone 0 Aex ia IIC
 Dust ignition-proof for Class II and III, Division 1, Groups E, F and G
 Non-incendive for Class I, Division 2, Groups A, B, C and D
 FMRC 3600, 3610, 3611, 3810 (including supplement #1),
 ISA-S12.0. 01, IEC 60529 (including amendment #1).
 CE compliant with pressure equipment directive 97/23EC.

SPECIFICATIONS

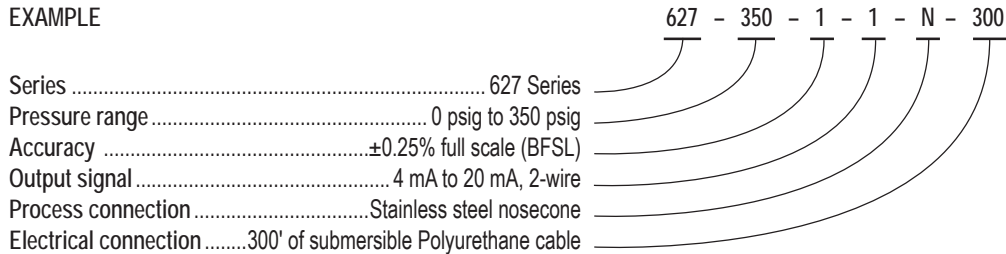
Output signal	4 mA to 20 mA, 2-wire
Pressure ranges	0 inH ₂ O to 50 inH ₂ O through 0 psig to 350 psig
Accuracy	±0.25 % full scale (BFSL); optional ±0.125% full scale (BFSL), for ranges ≥ 150 inH ₂ O (Includes the effects of non-linearity, hysteresis, non-repeatability, zero point and full scale errors)
Stability	≤ ±0.2% full scale for 1 year, non-accumulating
Response time	≤1 ms (between 10% and 90% full scale)
Durability	>100,000,000 full scale cycles
Temperature ranges	Compensated 32 °F to 122 °F (0 °C to 50 °C) Zero effect is ±0.011% full scale/ °F within compensated range Span effect is ±0.011% full scale/ °F within compensated range Media 15 °F to 175 °F (-10 °C to 60 °C) Ambient 15 °F to 122 °F (-10 °C to 50 °C) Storage -30 °F to 175 °F (-34 °C to 60 °C)
Power requirement*	10 Vdc to 30 Vdc (4 mA to 20 mA, 2-wire)
Load limitations	≤ (VPower-10)/0.020 Amp-(0.043 Ω x length of cable in feet)
Proof pressure	2 times range
Burst pressure	3 times range
Measuring element	Diaphragm and cap: 316 stainless steel 17-4PH stainless steel for 0 psig to 350 psig Cable: Fluorinated EPDM for 0 to 50 inH ₂ O through 0 psi to 150 psi Polyurethane with Polyolefin shrink tubing for 0 psi to 200 psi through 0 psi to 350 psi
Connection	316 stainless steel
Housing material	316 stainless steel
Environmental rating	IP68
Electromagnetic rating	CE compliant to EMC norm EN 61326:1997/A1:1998 RFI, EMI and ESD protection
Electrical protection	Reverse polarity, over-voltage and short circuit protected
Weight	Approximately 7 oz. with standard nosecone - cable extra

* Unregulated

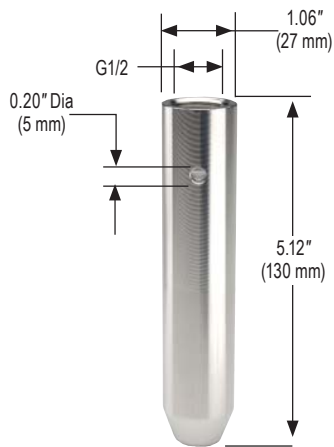
ORDERING INFORMATION			
SERIES	627		
PRESSURE RANGES	50inH ₂ O	0 inH ₂ O to 50 inH ₂ O	5 0 psig to 5 psig (11.5 ftH ₂ O)
	100inH ₂ O	0 inH ₂ O to 100 inH ₂ O	10 0 psig to 10 psig (23.1 ftH ₂ O)
	150inH ₂ O	0 inH ₂ O to 150 inH ₂ O	15 0 psig to 15 psig (34.6 ftH ₂ O)
	250inH ₂ O	0 inH ₂ O to 250 inH ₂ O	25 0 psig to 25 psig (57.7 ftH ₂ O)
	400inH ₂ O	0 inH ₂ O to 400 inH ₂ O	30 0 psig to 30 psig (69.2 ftH ₂ O)
	psig = gauge pressure	inH ₂ O = inches of water	ftH ₂ O = feet of water Other ranges available on request.
ACCURACIES	1	±0.25% full scale (BFSL)	2 ±0.125% full scale (BFSL) on ≥ 150 inH ₂ O
OUTPUT SIGNAL	1	4 mA to 20 mA, 2-wire	
PROCESS CONNECTIONS	N	Stainless steel nosecone	W Stainless steel weighted nosecone (1.1 lb.)
	T	NPT adapter, 1/2" NPT male outer thread with 1/4" NPT female inner thread attached to transmitter process connection with straight thread and o-ring seal	
ELECTRICAL CONNECTIONS	XX	Standard Polyurethane cable	
	38-XX	Optional FEP cable	NOTE: XX = length of cable in feet
OPTIONS	CC	Cable Clamp	FE Filter Element
	DC	Desiccant Cartridge	JB Cable Junction Box

Please consult your local NOSHOK Distributor or NOSHOK, Inc. for availability and delivery information.

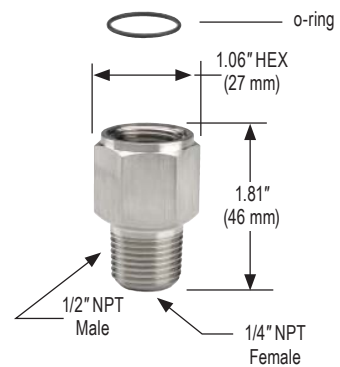
EXAMPLE



Weighted Nosecone



NPT Adapter



2-WIRE WIRING

+ Supply	Brown
+ Output	Green