

Low Pressure Diaphragm

200 SERIES



- Designed for extremely low pressure and vacuum measurement
- Ultra sensitive copper alloy diaphragm capsules are rated for pressure (or vacuum) as low as 0-10 " of water and as high as 0-10 psi
- 2-1/2 " and 4 " sizes – bottom and back connections
- Molded acrylic lenses on 2-1/2 " size and instrument glass on 4 " size for strength and clarity
- Standard case on 2-1/2 " size is black painted steel (optional stainless steel), and stainless steel on 4 " case
- Phosphor bronze diaphragm capsules are coupled with precision all-brass movements to provide extremely accurate indication
- 25-206 & 25-216 are low pressure diaphragm OEM-type gauges; they feature a black ABS case and a Copper Beryllium Alloy (CuBe) diaphragm capsule coupled with Cu-Alloy movement for extremely low pressure applications
- 25-200, 25-210 and 40-200 come standard with zero point adjustment
- 25-200 and 25-210 are available with 2X to 10X overpressure protection based on full scale
- Stock availability

OPERATING SPECIFICATIONS

1. Working Pressure Limitations

a. Dynamic Pressure

The working pressure should be limited to 60% of the dial range.

b. Static Pressure

The working pressure, where no sharp fluctuations occur, should be limited to 90% of the dial range

2. Ambient Temperature

0 °F to 140 °F (-18 °C to 60 °C)

3. Media Temperature

-4 °F to 140 °F (-20 °C to 60 °C)

APPLICATIONS

- Medical
- Biomedical
- HVAC
- Gas distribution
- Filtration
- Burner and gas combustion service
- Wastewater treatment
- Level indication and filter monitoring
- Everywhere low pressure and vacuum measurement is required

ACCURACY

- 2-1/2 " 200 Series gauges: ±1.5%
- 4 " 200 Series gauges: ±1.0%

For details on accuracy/standard dial configuration and dial layouts, see pages 76-81.

	MODELS	SPECIFICATIONS
Case	25-200, 25-210	Black painted steel
	25-206, 25-216, 25-224	Black ABS (Acryl Nitril Butadien Styrol) with 25-224 includes zinc-plated steel panel mount clamp
	40-200	304 Stainless steel
Bezel	40-200	304 Stainless steel
Lens	25-200, 25-206, 25-210, 25-216, 25-224	Clear front acrylic
	40-200	Instrument glass
Diaphragm capsule	25-200, 25-210, 25-224, 40-200	Phosphor bronze
Connection	25-200, 25-206, 25-210, 25-216, 25-224, 40-200	1/4" NPT brass
Movement	25-200, 25-210, 25-224, 40-200	Brass and nickel-silver with highly polished bearing surfaces
	25-206, 25-216	Cu-Alloy
Accuracy	25-200, 25-210, 25-224	± 1.5% full scale ASME B40.1 Grade A
	25-206, 25-216	± 2.5% full scale ASME B40.1 Grade B
	40-200	± 1% full scale ASME B40.1 Grade 1A
Pointer	25-200, 25-206, 25-210, 25-216, 25-224, 40-200	Black finished aluminum
Dial	25-200, 25-206, 25-210, 25-216, 25-224, 40-200	Aluminum, white background with black markings. single scale except as noted in the dial configuration chart. UV resistant.

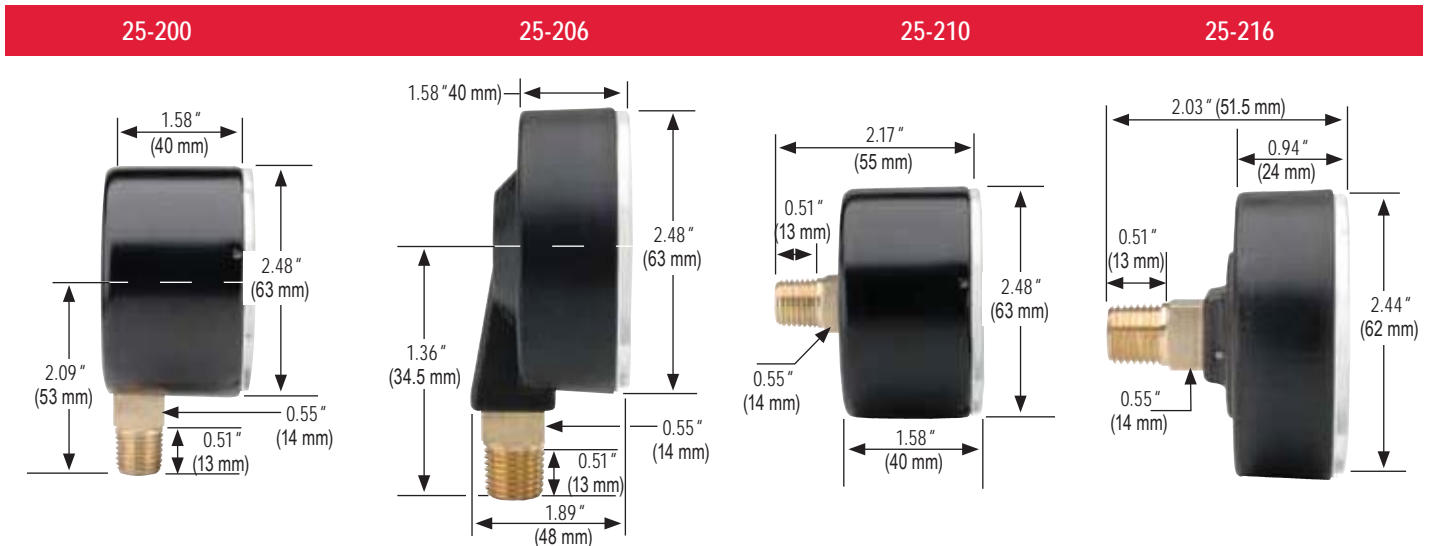
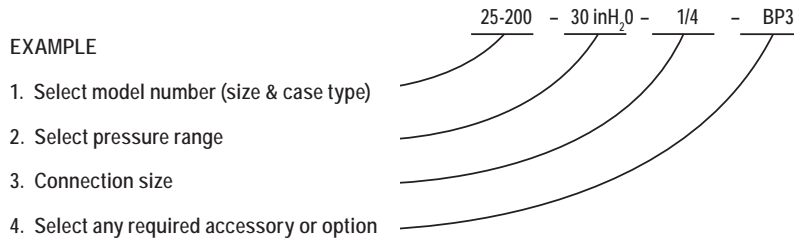
ORDERING INFORMATION							
SERIES	200						
SIZES	25 2-1/2"	40 4"					
CASE TYPES	200 Steel, bottom connection (304SS for 4")	216 ABS, back connection			224 ABS, panel mount		
	206 ABS, bottom connection	234 Gas pressure test kit**					
	210 Steel, back connection						
PRESSURE RANGES	15 inH ₂ O Vac -15 inH ₂ O to 0 inH ₂ O	30 inH ₂ O 0 inH ₂ O to 30 inH ₂ O	15 oz/in ² 0 oz/in ² to 15 oz/in ²	20 oz/35 inH ₂ O	0 oz/in ² /inH ₂ O to 20 oz/in ² /inH ₂ O		
	30 inH ₂ O Vac -30 inH ₂ O to 0 inH ₂ O	60 inH ₂ O 0 inH ₂ O to 60 inH ₂ O	30 oz/in ² 0 oz/in ² to 30 oz/in ²	32 oz/55 inH ₂ O	0 oz/in ² /inH ₂ O to 32 oz/in ² /inH ₂ O		
	60 inH ₂ O Vac -60 inH ₂ O to 0 inH ₂ O	100 inH ₂ O 0 inH ₂ O to 100 inH ₂ O	35 oz/in ² 0 oz/in ² to 35 oz/in ²	3 psi	0 psi to 3 psi		
	100 inH ₂ O Vac -100 inH ₂ O to 0 inH ₂ O	160 inH ₂ O 0 inH ₂ O to 160 inH ₂ O	60 oz/in ² 0 oz/in ² to 60 oz/in ²	5 psi	0 psi to 5 psi		
	10 inH ₂ O 0 inH ₂ O to 10 inH ₂ O	200 inH ₂ O 0 inH ₂ O to 200 inH ₂ O	100 oz/in ² 0 oz/in ² to 100 oz/in ²	10 psi	0 psi to 10 psi		
	15 inH ₂ O 0 inH ₂ O to 15 inH ₂ O	10 oz/in ² 0 oz/in ² to 10 oz/in ²	160 oz/in ² 0 oz/in ² to 160 oz/in ²				
CONNECTION SIZE	1/4 1/4" NPT						
OPTIONS	BLRF Black Rear Flange	GL Glass Lens*	OP Over Pressure Protection	CCR Chrome Cover Ring			
	SSRF 304SS Rear Flange	SGL Safety Glass Lens*	SSBU Stainless Steel Bezel & U-Clamp	LM Laser Marking			
	BLFF Black Front Flange	PL Acrylic Lens	BBU Black Bezel & U-Clamp	ST Stainless Steel Tagging			
	SSFF 304SS Front Flange	RL Recalibrator Lens	BCR Black Cover Ring	BP3 Brass Press Fit Orifice 0.3 mm			
	CFF Chrome Front Flange	SP Red Set Pointer	SSCR Stainless Steel Cover Ring	BT3 Brass Threaded Orifice 0.3 mm			
	SSC Stainless Steel Case	MIP Maximum Indicating Pointer					

Please consult your local NOSHOK Distributor or NOSHOK, Inc. for availability and delivery information.

NOTE: Refer to 200 Series Options & Accessories chart on page 67 for availability by model number.

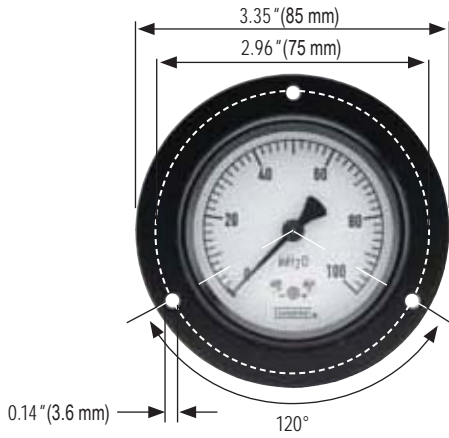
* A steel, stainless or chrome cover ring must be additionally ordered when lenses other than acrylic are utilized on all 200 Series models

** Only available in 2-1/2" size, 20 oz/35 inH₂O

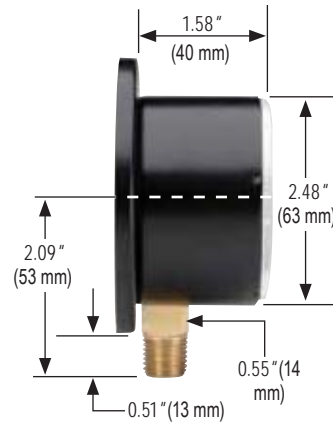


Dimensions

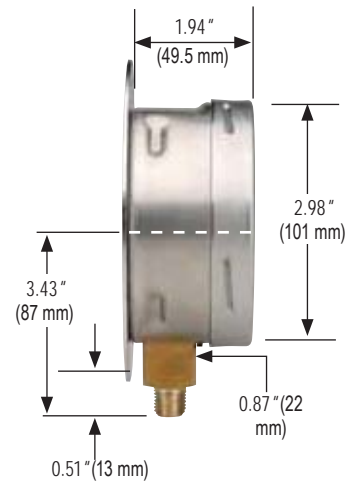
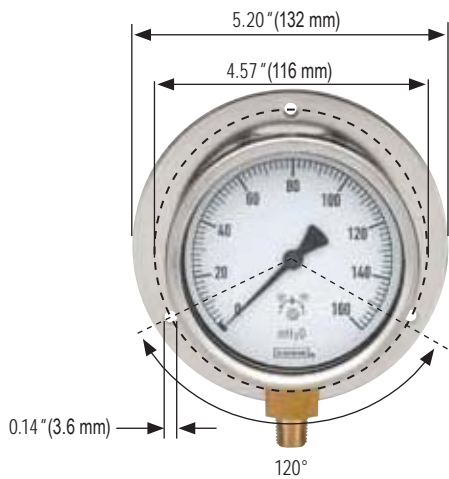
25-210 Front Flange



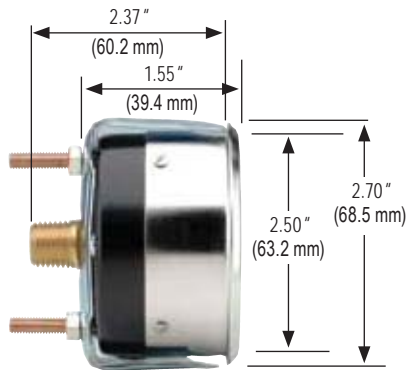
25-200 Rear Flange



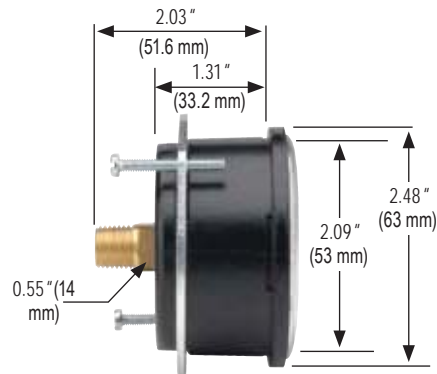
40-200 Rear Flange



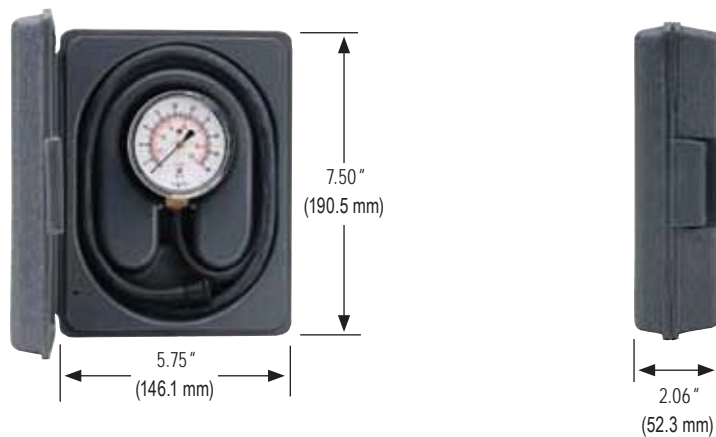
25-210 Triangular Bezel w/U-Clamp



25-224 with Panel Mount Clamp



25-234



200 SERIES LOW PRESSURE DIAPHRAGM GAUGE ACCESSORIES

- = Option/accessory is available
- C = Consult factory for availability
- STD = Standard stock model specification

MODEL NO.	25-200	25-210	25-224	40-200
CONNECTION				
Black Rear Flange (BLRF)	●	C		
304SS Rear Flange (SSRF)				●
Black Front Flange (BLFF)	●	●		●
304SS Front Flange (SSFF)				●
Chrome Front Flange (CFF)	●	●		
Stainless Steel Case (SSC)	●	●		STD
Glass Lens (GL)*	●	●		●
Safety Glass Lens (SGL)*	●	●		●
Acrylic Lens (PL)	STD	STD		●
Recalibrator Lens (RL)	●	●		
Red Set Pointer (SP)	●	●	●	●
Maximum Indicating Pointer (MIP)	●	●	●	C
Overpressure Protection (OP)	C	C	C	C
SS Bezel w/U-Clamp (SSBU)		●		
Black Bezel w/U-Clamp (BBU)		●		
Black Cover Ring (BCR)	●	●		
Stainless Steel Cover Ring (SSCR)	●	●		STD
Chrome Cover Ring (CCR)	●	●		
Laser Marking (LM)	●	●	●	●
Stainless Steel Tagging (ST)	●	●	●	●
Orifice - Brass Press Fit - 0.3 mm (BP3)		●	●	●
Orifice - Brass Threaded - 0.3 mm (BT3)	●	●	●	●




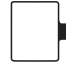
STANDARD ORIFICE FOR 200 SERIES GAUGE IS 0.3 MM PRESS FIT, UNLESS OTHERWISE SPECIFIED.

* A steel, stainless or chrome cover ring must be additionally ordered when lenses other than acrylic are utilized on all 2-1/2" 200 Series models.

Consult factory for additional non-stock and special accessory availability.

300 SERIES BRASS CASE LIQUID-FILLED GAUGE ACCESSORIES

- = Option/accessory is available

MODEL NO.	25-300	25-310	40-300	40-310
CONNECTION				
Chrome Front Flange (CFF)	●	●	●	●
Chrome Front Flange (CFF) w/o Holes	●	●	●	●
Brass Front Flange (BFF)	●	●	●	●
Black Front Flange (BLFF)			●	●
304SS Rear Flange (SSRF)			●	●
Brass Rear Flange (BRF)	●	●		
Chrome Cover Ring (CCR)	●	●	●	
Chrome Bezel with U-Clamp (CBU)		●		●
Maximum Indicating Pointer (MIP)	●	●		
Polycarbonate Lens (LL)			●	●
Glass Lens Overlay (GLO)	●	●		
Safety Glass Overlay (SGO)	●	●	●	●
Safety Glass Lens (SGL)			●	●
Adapter Ring (AR)		●		●
7/16" - 20 Straight Thread (7/16)*	●	●	●	●
Laser Marking (LM)	●	●	●	●
Stainless Steel Tagging (ST)	●	●	●	●
Orifice - Brass Threaded - 0.3 mm (BT3)	●	●	●	●
Orifice - Brass Threaded - 0.4 mm (BT4)	●	●	●	●
Orifice - Brass Threaded - 0.8 mm (BT8)	●	●	●	●

STANDARD ORIFICE FOR 300 SERIES GAUGE IS 0.8 MM THREADED, UNLESS OTHERWISE SPECIFIED.

* Includes FKM o-ring. Consult factory for availability.

Consult factory for additional non-stock and special accessory availability.