

Stabilized & Non-Stabilized

SZ SERIES



Stabilized Connectors



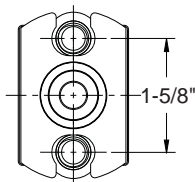
Non-stabilized Connector

- Slotted bolt holes allow for 2-1/8" and 2-1/4" bolt spacings
- Designed to reinforce the entire installation by shifting radial-stress load away from the NPT connections
- Available in 3-3/8" and 5" lengths
- Optional dielectric barrier creates a non-conductive shield between the instrument and the orifice fitting

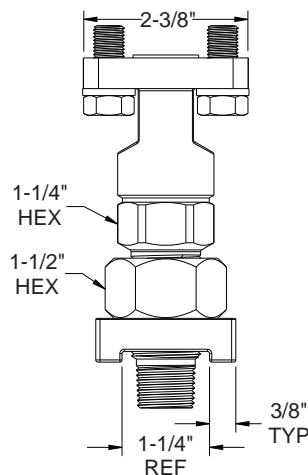
SPECIFICATIONS	
Materials	Zinc-nickel plated carbon steel, 316 stainless steel
Bolts	Carbon Steel
Connection	1/2" NPT-flange
Orifice	3/8"

Long Stabilized Connector

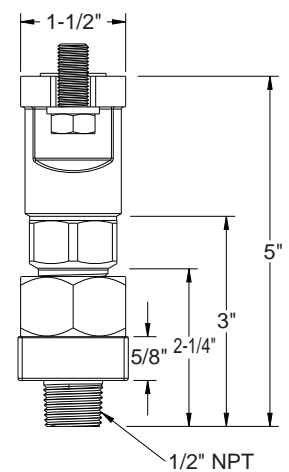
Top View



Front View



Side View



ORDERING INFORMATION			
SERIES	SZ	Connector	
MATERIALS	C	Steel	S Stainless steel
CONNECTOR TYPES	1	Short stabilized, without flange adaptor	4 Long stabilized, with flange adaptor
	2	Short stabilized, with flange adaptor	5 Non-stabilized
	3	Long stabilized, without flange adaptor	
CONNECTOR KITS	None	Standard two piece kit	1 Single piece kit
OPTIONAL DIELECTRIC KITS	K1	Dielectric gasket	K2 PTFE gasket with dielectric shim
OPTIONAL BOLT MATERIAL*	None	Standard carbon steel*	SS Stainless steel

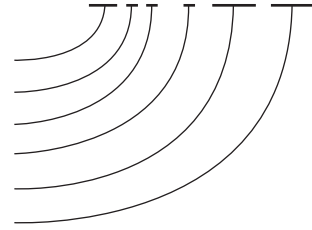
Please consult your local NOSHOK Distributor or NOSHOK, Inc. for availability and delivery information.

* 1" long or 1-1/4" with optional dielectric kit (see page 136 for details on dielectric kits)

EXAMPLE

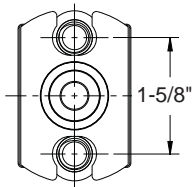
Series.....Connector
 Material.....Steel
 Connector type..... Short stabilized, with flange adaptor
 Connector kit..... Single piece kit
 Optional dielectric kit.....Dielectric gasket
 Optional bolt material.....Stainless steel

SZC2-1-K1-SS

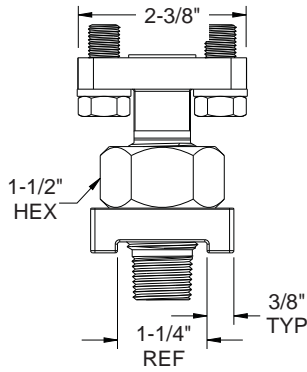


Short Stabilized Connector

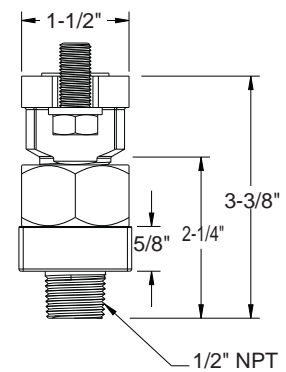
Top View



Front View

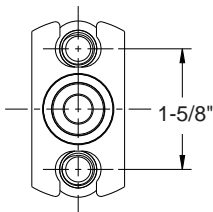


Side View

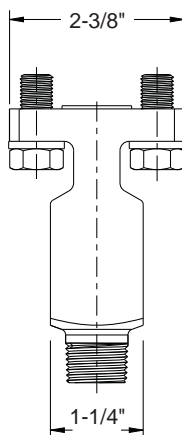


Non-Stabilized Connector

Top View



Front View



Side View

