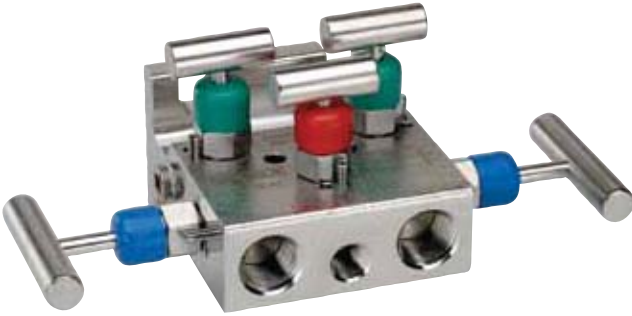


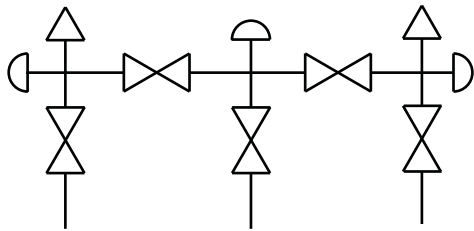
# Hard Seat & Soft Seat/Tip

## 5030/5130 SERIES



- Designed for use with differential pressure transmitters incorporating two isolation valves, two equalizing valves and a vent valve required in natural gas applications
- Soft tip valves feature a patented Delrin® non-rotating soft tip stem, and a back-up metal-to-metal seal (**U.S. Patent 6,820,857**)
- Available in block, single flange, or double flange connection for remote or direct installation
- 100% helium leak tested to  $1 \times 10^{-4}$  ml/s for guaranteed performance and reliability
- 5030 Series hard seat valves have 10,000 psi pressure rating @ 200 °F
- 5130 Series soft seat/tip valves have 6,000 psi pressure rating @ 200 °F
- 5130 Series valves also feature a replaceable Delrin® seat, and straight through porting for bidirectional, high capacity flow and easy roddable cleaning on the block valves
- Blow-out proof stem provides a secondary stem seal in the full open position
- FKM o-ring seal and PTFE back-up ring below the stem threads to protect from corrosion and galling; PTFE or Grafoil® packing optional
- All stems are 316 stainless steel
- All stem threads are rolled for strength and ease of operation
- One-piece bonnet with a metal-to-metal seal to the valve body below the bonnet threads
- Slotted spring pin to prevent accidental loosening
- Vinyl dust caps for bonnets and stems (non-packing)
- Patented body-to-bonnet, metal-to-metal seal is designed to significantly increase the pressure range of the valve (**U.S. Patent 7,758,014**)

Flow Schematic



### SPECIFICATIONS

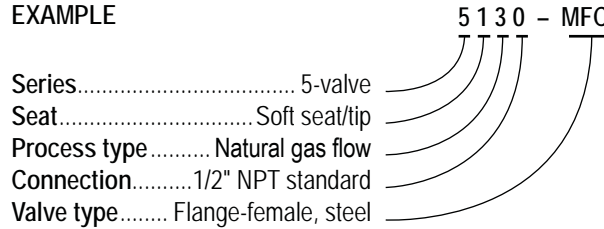
Materials	Zinc-nickel plated carbon steel, electropolished 316 stainless steel
Connection	Flange-flange, 1/2" NPT-flange, 1/2" NPT-1/2" NPT
Pressure ratings	Hard seat: 10,000 psi @ 200° F Soft seat/tip: 6,000 psi @ 200 °F
Orifice size	0.187"
Flow coefficient	Hard seat: $C_v$ 0.44 Soft seat/tip: $C_v$ 0.76
Stem seal & type	All 316 stainless steel stems with FKM o-ring and PTFE back-up ring below the threads.
Additional features	Two static (test) ports, color coded vinyl bonnet and stem dust cap, patented soft seat/tip stem design on equalizing and vent valves
Options	Panel mountings, o-ring materials, handles, packings, regulating stem and stem tips

NOTE: All NOSHOK valve products conform to the MSS SP-99 instrument valves standards, and valves supplied with packing also conform to MSS SP-132 compression packing systems for instrument valves standard.

ORDERING INFORMATION			
SERIES	5	5-valve	
SEATS	0	Hard seat	1 Soft seat/tip
PROCESS TYPE	3	Natural gas flow	
CONNECTION	0	1/2" NPT or flange	
VALVE TYPES	MFC	Flange-Female, Steel	MFS Flange-Female, Stainless Steel
	FFC	Female-Female, Steel	FFS Female-Female, Stainless Steel
			MMC Flange-Flange, Steel
			MMS Flange-Flange, Stainless Steel

Please consult your local NOSHOK Distributor or NOSHOK, Inc. for availability and delivery information.

### EXAMPLE



To meet all of your specific application requirements, the following additional options are available for these manifold valves. To order all or any of these options, simply add them to the part number as shown in the diagram below.

**NOTE 1:** The example shown includes ALL possible additional options. Please include ONLY the options required for your application when building your part number. (EXAMPLE: 5130-MFC-P1)

**NOTE 2:** When a packing option is selected, an o-ring option is NOT available.

**NOTE 3:** The standard o-ring in all the NOSHOK manifold valves is FKM and T1 hard non-rotating (316SS standard) stem tip is the only option available for the Isolation valves on the 5130 Series. All other stem tip options are available for the equalize and vent valves.

ORDERING INFORMATION - Additional Options			
SOFT SEATS	PK1	PEEK	KF1 PCTFE
PACKINGS	P1	PTFE	P2 Grafoil <sup>®</sup> **
STEM TIPS	T1	Non-rotating (316 stainless)	T4 PEEK***
	T2	Delrin <sup>®</sup> (Acetal)***	T5 Ball (440C stainless)**
	T3	PCTFE***	T6 Ball (carbide)**
			T7 Ball (ceramic)**
			T8 Ball (Monel)**
			T9 Regulating hard**
			T10 Regulating Delrin <sup>®</sup> ***
			T11 Regulating PCTFE***
			T12 Regulating PEEK***
O-RINGS*	EM1	EPDM	KZ1 FFKM (Kalrez <sup>®</sup> 3018 or equivalent)
			NB1 NBR
HANDLES	HL1	1-13/16" Mini "T"	HL4 1-3/8" Phenolic
	HL3	1" Round knurled	HL5 1-3/4" Phenolic

Please consult your local NOSHOK Distributor or NOSHOK, Inc. for availability and delivery information.

\* Other o-ring materials available on request.

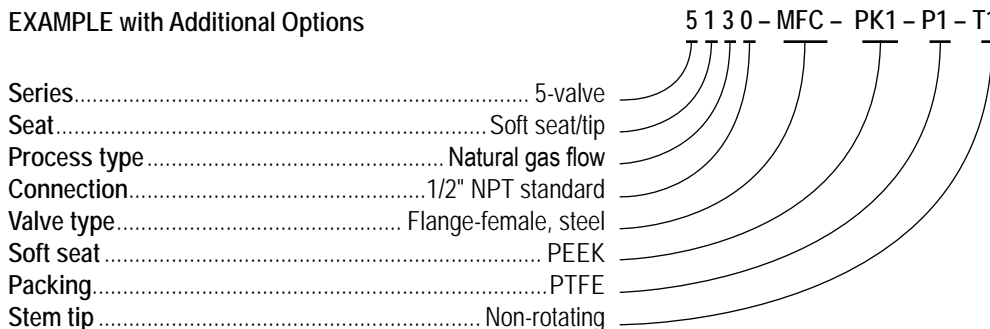
\*\* For 5030 only.

\*\*\* For 5130 only.

Please note that the standard o-ring in all the NOSHOK valves is FKM and the standard handles are isolation "T" handles (HL2) and equalizing & vent mini "T" handles (HL7).

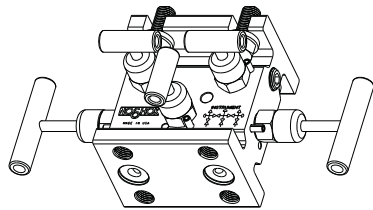
The handle material will always match the material of the valve, unless otherwise specified. For example, handles on the 5130-MFC will be steel. When only the standard configuration is needed, no additional designations are necessary. Please consult the factory for special application requests.

### EXAMPLE with Additional Options

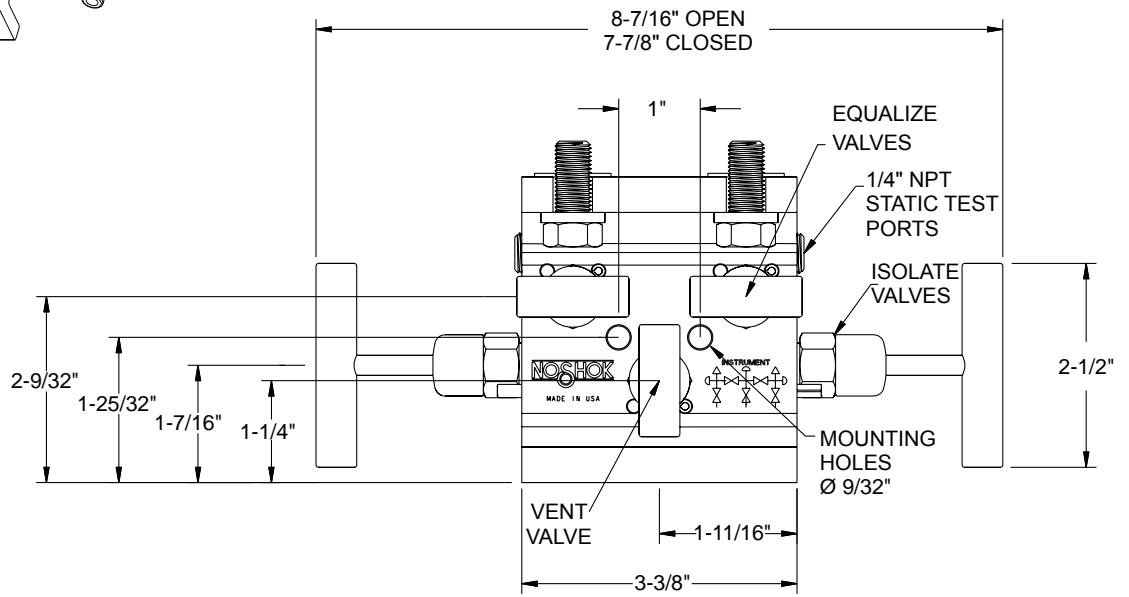


# Dimensions

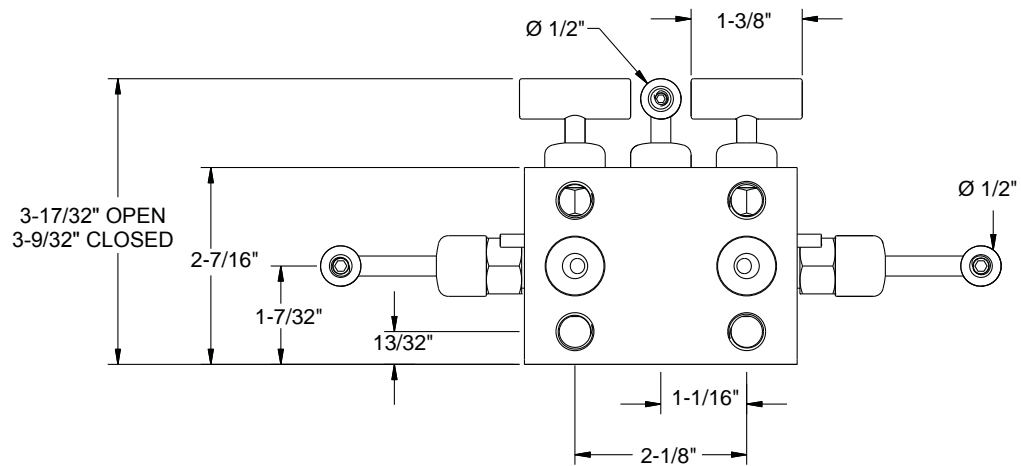
## Flange-Flange



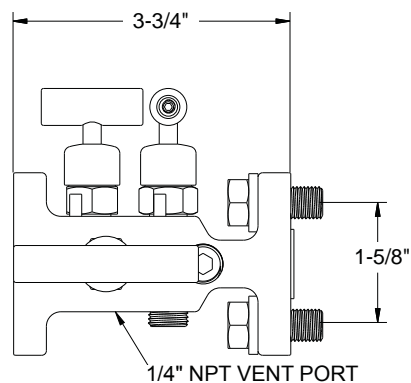
Top View



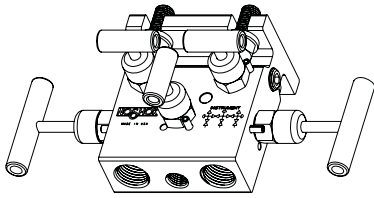
Front View



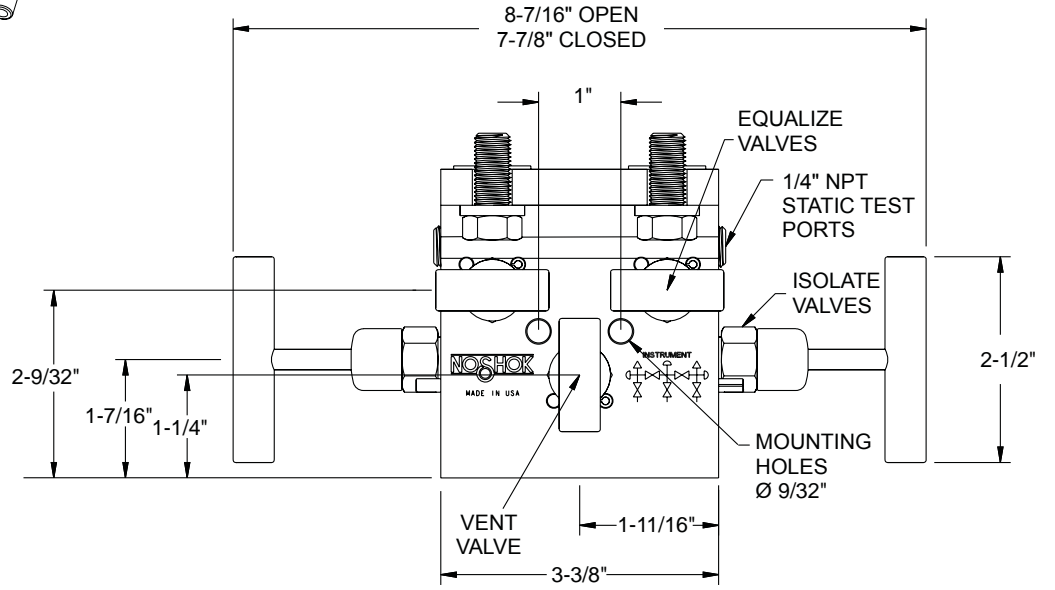
Side View



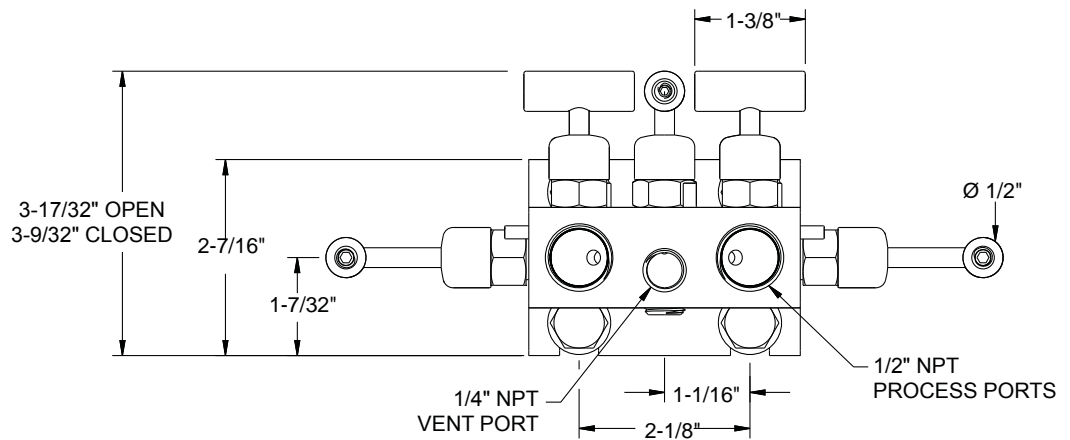
**Flange-Female**



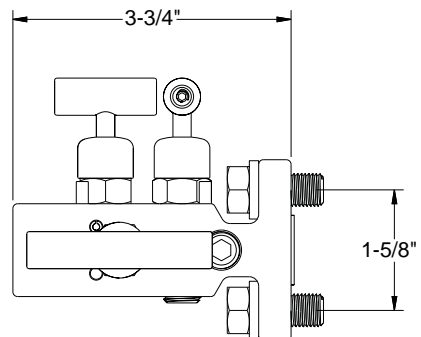
Top View



Front View

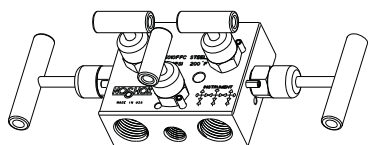


Side View

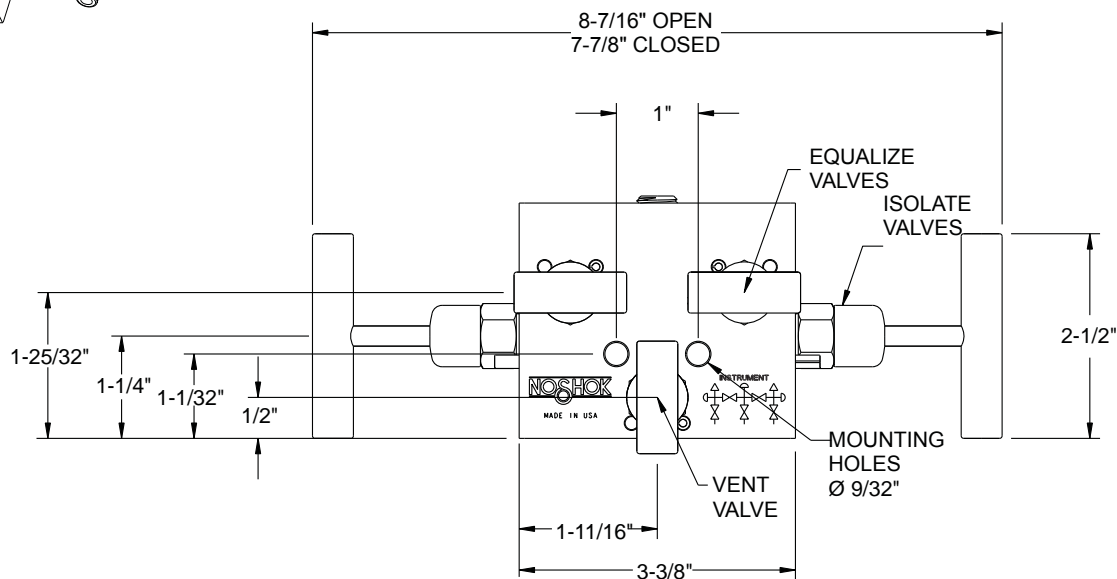


# Dimensions

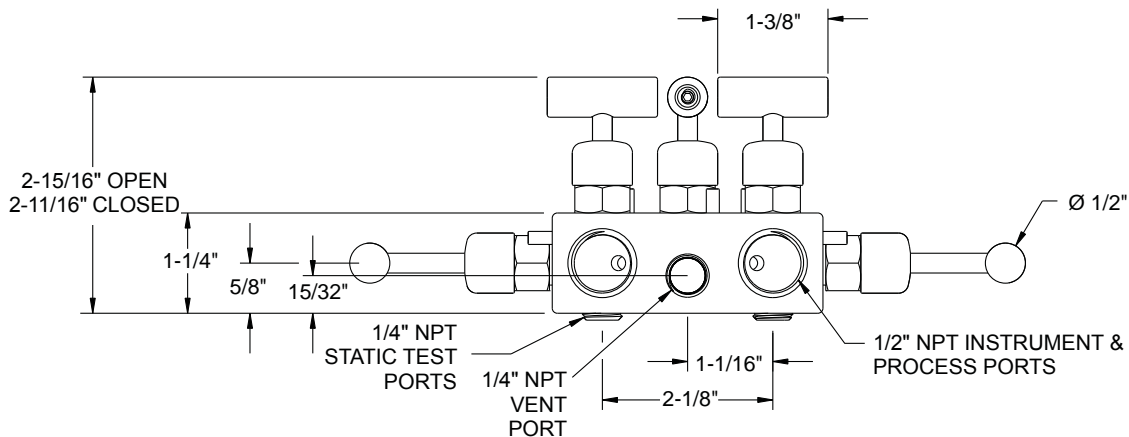
## Female-Female



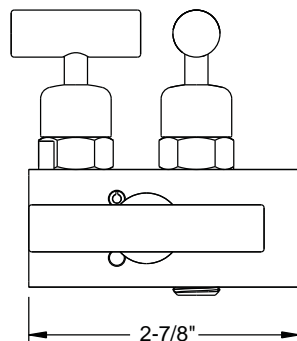
Top View



Front View

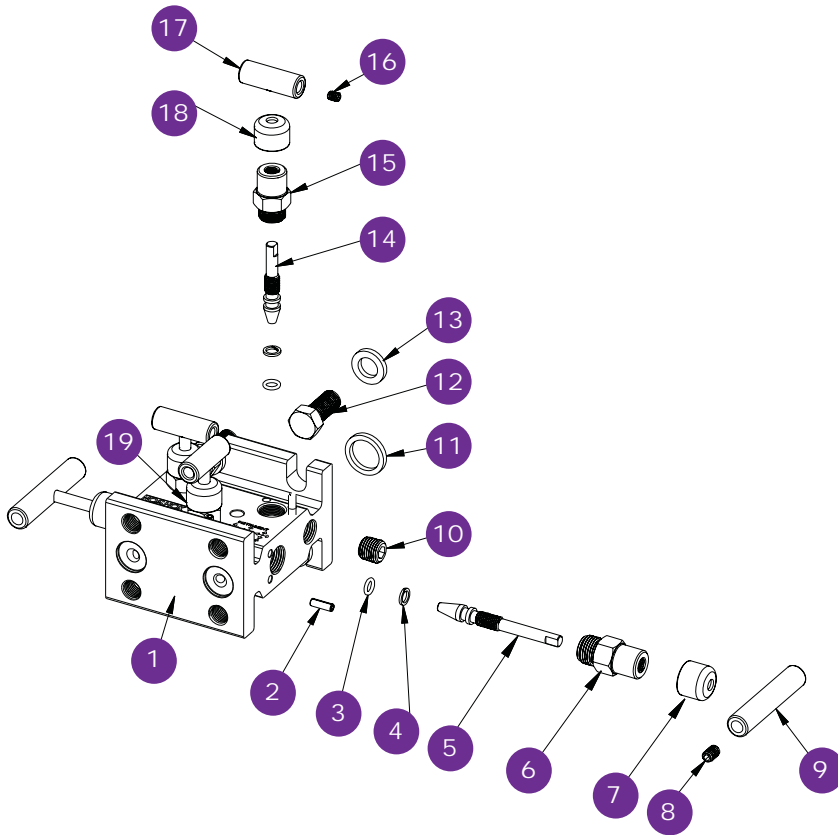


Side View



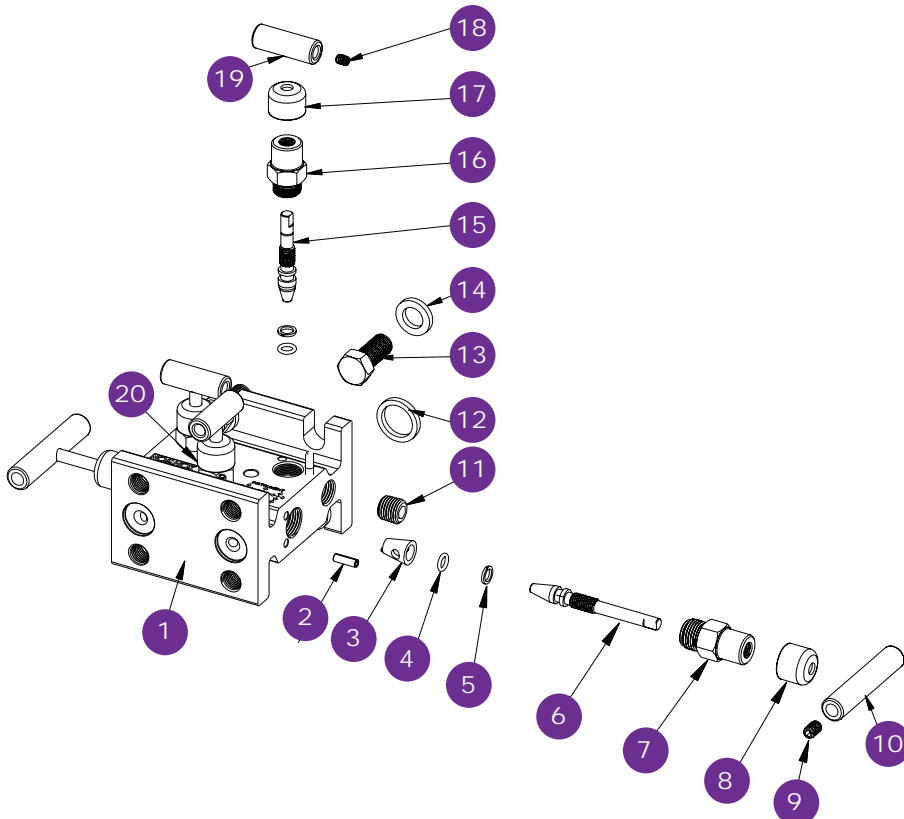
For panel mount and packing dimensions, see pgs. 64-65.

## Hard Seat



- 1 Valve body
- 2 Slotted spring pin
- 3 FKM o-ring
- 4 PTFE back-up ring
- 5 Valve stem
- 6 Valve bonnet
- 7 Blue dust cap
- 8 Set screw
- 9 Valve "T" handle
- 10 Plug
- 11 Gasket ring
- 12 Head bolt
- 13 Washer
- 14 Mini valve stem
- 15 Mini valve bonnet
- 16 Set screw
- 17 Mini valve "T" handle
- 18 Green dust cap
- 19 Red dust cap

## Soft Seat



- 1 Valve body
- 2 Slotted spring pin
- 3 Delrin® seat
- 4 FKM o-ring
- 5 PTFE back-up ring
- 6 Valve stem
- 7 Valve bonnet
- 8 Blue dust cap
- 9 Set screw
- 10 Valve "T" handle
- 11 Plug
- 12 Gasket ring
- 13 Head bolt
- 14 Washer
- 15 Soft tip stem
- 16 Mini valve bonnet
- 17 Green dust cap
- 18 Set screw
- 19 Mini valve "T" handle
- 20 Red dust cap