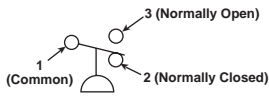


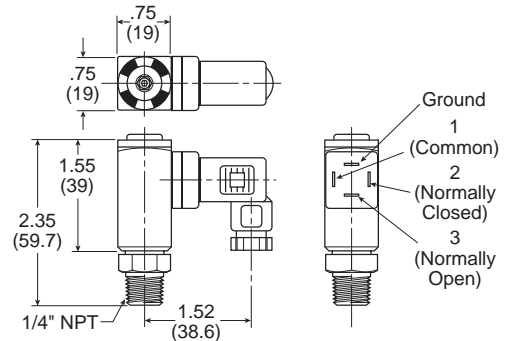


## Pressure Switch – P01909



### Features:

- Inline mounting
- Dial indicator for easy pressure setting
- 5 amp rated snap action micro switch
- Heavy duty Aluminum components
- Compact size
- DIN 43650HCM connector
- IP65 Rated
- Field adjustable 30-150 PSIG
- +/- 2% repeatability
- Single pole/Double throw switch

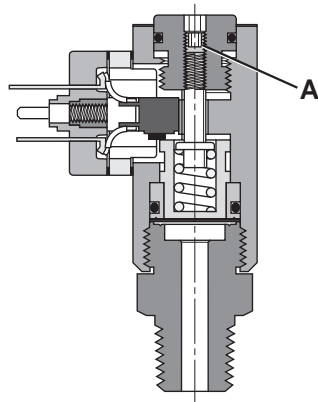


C

### Operation

The pressure switch monitors the air pressure in your pneumatic system. When the pressure in your system either drops below or exceeds the set point pressure, an electrical output is given.

Using a 0.125" (3mm) hex wrench, turn the adjusting screw **(A)** clockwise to increase the pressure set point and counterclockwise to decrease the pressure setting. One complete revolution of the adjusting screw covers the complete adjustment range of 30 to 150 PSIG (2 to 10 bar).



### Definitions and Terminology

**Repeatability** — Accuracy is the maximum allowable set point deviation of a single pressure or temperature switch under one given set of environmental and operational conditions.

**Single Pole Double Throw (SPDT) Switching element** — A SPDT switching element has one normally open, one normally closed and one common terminal. Three terminals mean that the switch can be wired with the circuit either normally open (NO), or normally closed (NC), or both.

**Dead Band** — The dead band, sometimes referred to as “differential” or “hysteresis”, is the change in pressure between actuation and deactuation set points.

### Kits and Accessories

- Bushing 1/4" to 3/8" .....209P-6-4
- Bushing 1/4" to 1/2" .....209P-8-4

### Specifications

- Electrical** .....5 AMP, 12/24VDC, 125/250VAC
- Maximum Inlet Pressure** .....300 PSIG (20 bar)
- Mechanical Life** ..... 10<sup>6</sup> at standard operating conditions
- Electrical Connection** ..... DIN 43650HCM
- Electrical Protection** .....IP65
- Repeatability** .....±2% at 70°F (20°C) Ambient
- Temperature Range** ..... -40°F to 180°F (-40°C to 80°C)
- Weight** .....0.13 lb. (0.06 Kg)

### Materials of Construction

- Diaphragm** .....Nitrile
- Housing** .....Anodized Aluminum