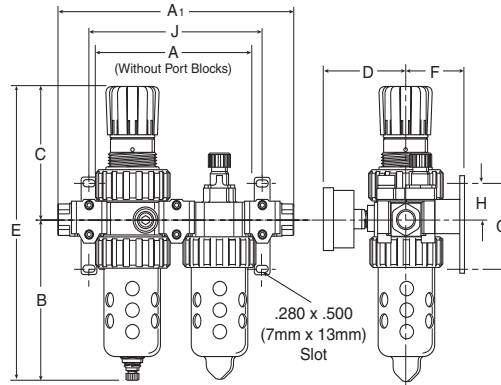
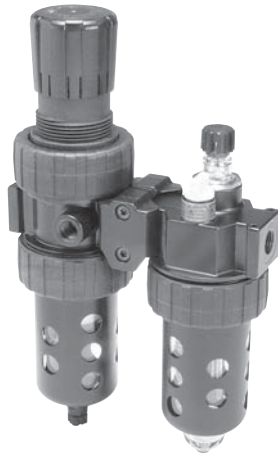
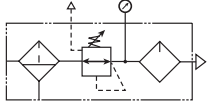


Model Numbers & Dimensions

Modular Combinations – 06 Compact & 07 Standard Series

• See individual component pages for details.

Two-Unit
Combo



Series	Model Numbers	Port	Model Numbers	Series
06H	06H12A13A2B*	1/4"	16H12A13A2B*	16H
	06H22A13A2B*	3/8"	16H22A13A2B*	
	06H32A13A2B*G	1/2"†	16H32A13A2B*G	
07H	07H32A13A2B*	1/2"	17H32A13A2B*	17H
	07H42A13A2B*	3/4"	17H42A13A2B*	

For other models, refer to ordering information on next page.

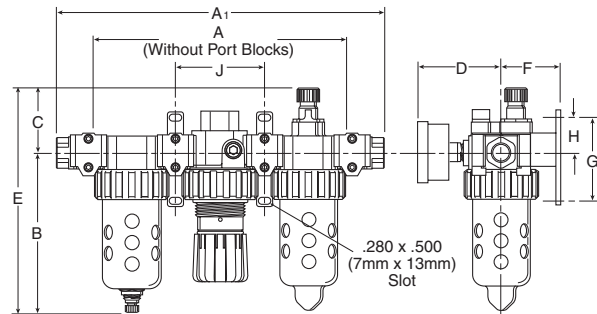
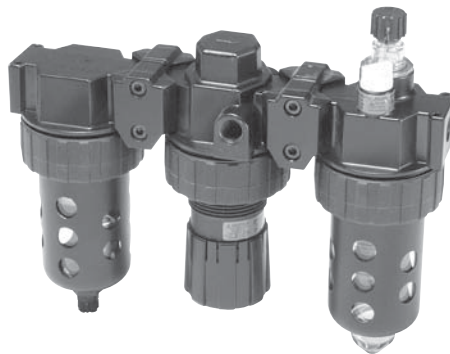
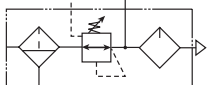
† 06 / 16 Available with Port Blocks Only.

06H, 16H Series					
A	A ₁	B	C	D	E
6.10 (155)	9.04 (230)	5.69 (145)	4.69 (119)	3.18 (81)	10.38 (264)
F	G	H	J		
2.00 (51)	3.58 (91)	1.40 (36)	6.65 (169)		
07H, 17H Series					
A	A ₁	B	C	D	E
7.00 (178)	10.28 (261)	6.97 (177)	4.79 (122)	3.44 (87)	11.76 (299)
F	G	H	J		
2.09 (53)	3.58 (91)	1.40 (36)	7.51 (191)		

Inches (mm)

• All dimensions nominal.

Three-Unit
Combo



Series	Model Numbers	Port	Model Numbers	Series
06B	06B12A13A2B*	1/4"	16B12A13A2B*	16B
	06B22A13A2B*	3/8"	16B22A13A2B*	
	06B32A13A2B*G	1/2"†	16B32A13A2B*G	
07B	07B32A13A2B*	1/2"	17B32A13A2B*	17B
	07B42A13A2B*	3/4"	17B42A13A2B*	

For other models, refer to ordering information on next page.

† 06 / 16 Available with Port Blocks Only.

06B, 16B Series					
A	A ₁	B	C	D	E
9.46 (240)	12.39 (315)	5.69 (145)	2.24 (57)	3.18 (81)	7.93 (202)
F	G	H	J		
2.00 (51)	3.58 (91)	1.40 (36)	3.33 (85)		
07B, 17B Series					
A	A ₁	B	C	D	E
10.750 (273)	14.03 (356)	6.97 (177)	2.41 (61)	3.44 (87)	9.38 (238)
F	G	H	J		
2.18 (55)	3.58 (91)	1.40 (36)	3.76 (95)		

Inches (mm)

• All dimensions nominal.

