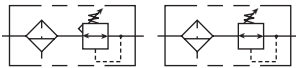
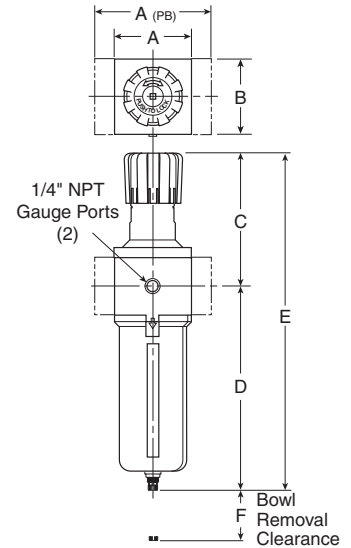


P3NE Filter / Regulator – Hi-Flow



Features

- Port blocks (PB) available to provide 1-1/2" port extension to 1" ported bodies.
- Excellent water removal efficiency.
- Metal bowl with sight gauge.
- Large filter element surface guarantees low pressure drop and increased element life.
- Twist drain as standard, optional auto drain.
- Self relieving feature plus balanced poppet provides quick response and accurate pressure regulation.
- Solid control piston for extended life.
- High Flow: 3/4" – 250 SCFM[§]
 1" – 250 SCFM[§]
 1-1/2" – 250 SCFM[§]



Port Size	NPT	
	Twist Drain	Automatic Float Drain
Metal Bowl / Sight Gauge		
3/4"	P3NEA96GSMBNN	P3NEA96GSABNN
1"	P3NEA98GSMBNN	P3NEA98GSABNN
1-1/2"	P3NEA9PGSMBNN	P3NEA9PGSABNN

P3NE Filter / Regulator Dimensions			
A	A ^(PB)	B	C
3.62 (92)	5.91 (150)	3.62 (92)	6.38 (162)
D [†]	E [†]	F	
9.57 (243)	15.95 (405)	4.92 (125)	

Standard part numbers shown bold. For other models refer to ordering information below.

* 1" Port Body with 1-1/2" Port Block.

§ SCFM = Standard cubic feet per minute at 90 psig inlet and 5 psig pressure drop, with 40 micron element.

Inches (mm)
 † With Twist Drain or Auto Float Drain

⚠ WARNING

**Product rupture can cause serious injury.
 Do not connect regulator to bottled gas.
 Do not exceed maximum primary pressure rating.**

Ordering Information



Design Level	Port Type	Port Size	Element	Bowl	Drains	Relief	Adjustment	Pressure Range
	1* G Thread (BSPP) Female	6 3/4" (w/o Port Blocks)	A Adsorber E 5 Micron G 40 Micron	S Metal Bowl w/ Sight Gauge	M Twist Drain A Automatic Float Drain	B Relieving N Non-Relieving	N Non-Rising Knob	w/o Gauge L 60 PSI (0 to 4 bar) N 125 PSI (0 to 8 bar) H 250 PSI (0 to 17 bar) w/ Gauge M 60 PSI (0 to 4 bar) G 125 PSI (0 to 8 bar) J 250 PSI (0 to 17 bar)

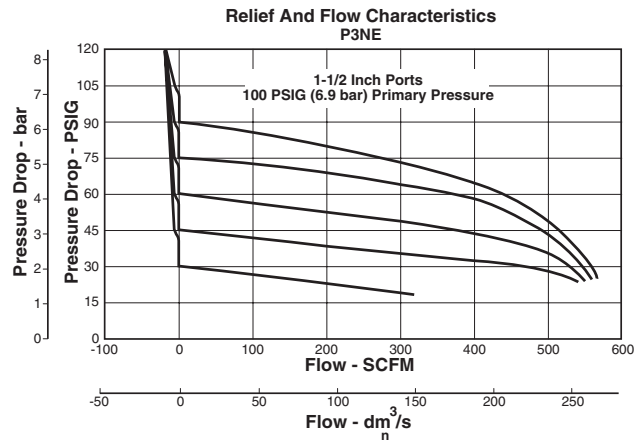
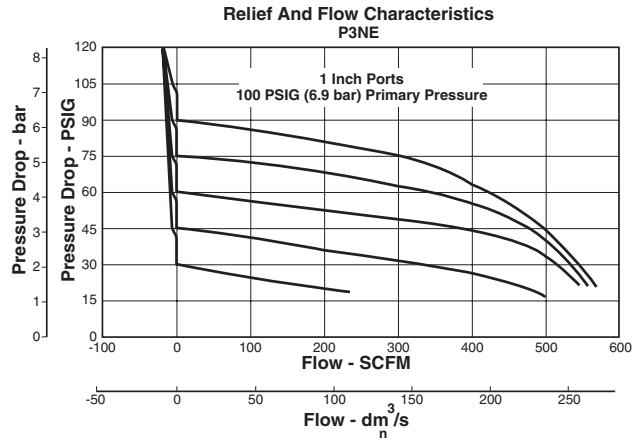
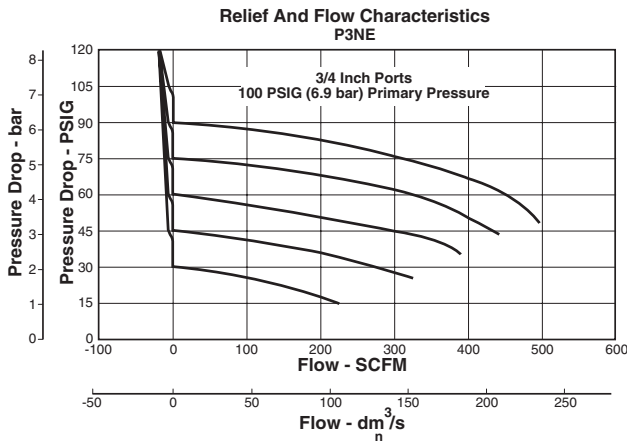
* 3/4 & 1 inch meet ISO 1179-1 Standard.

BOLD ITEMS ARE MOST POPULAR.



Product Selection
 Filters
 Coalescers
 Regulators
 Filter / Regulators
 Lubricators
 Combs
 Accessories

Technical Information



CAUTION:

REGULATOR PRESSURE ADJUSTMENT – The working range of knob adjustment is designed to permit outlet pressures within their full range. Pressure adjustment beyond this range is also possible because the knob is not a limiting device. This is a common characteristic of most industrial regulators, and limiting devices may be obtained only by special design.

For best performance, regulated pressure should always be set by increasing the pressure up to the desired setting.

P3NE Filter / Regulator Kits & Accessories

Bowl Kits –

- Metal Bowl – Sight Gauge / Automatic Float Drain.....P3NKA00BSA
- Sight Gauge / Twist Drain.....P3NKA00BSM
- Sight Gauge / Push ‘N’ Drain.....P3NKA00BSP

Bowl Latch KitC11A33

Control KnobP3NKA00PN

- Drain Kit –** Automatic Float Drain.....PS506P
- Semi-Auto Drain.....PS511P
- Twist Drain.....PS512P
- Push ‘N’ Drain.....PS513P

- Filter Element Kits –** 40 MicronP3NKA00ESG
- 5 MicronP3NKA00ESE
- Adsorber.....P3NKA00ESA

- Gauges –** 60 psig (0 to 4.1 bar).....K4520N14060
- 160 psig (0 to 11.0 bar).....K4520N14160
- 300 psig (0 to 20.0 bar).....K4520N14300

Mounting Bracket Kit*P3NKA00MW

- Service Kit –** RelievingP3NKA00RR
- Non-RelievingP3NKA00RN

Sight Gauge KitP3NKA00PE

- Springs –** 1-60 psig RangeC10A1304
- 2-125 psig RangeC10A1308
- 5-250 psig RangeC10A1317

* If 1-1/2 BSPP E02 fittings are required, use P3NKA00BMW.

Specifications

- Bowl Capacity** 18.0 Ounces
- Gauge Ports (2)** 1/4 Inch
- Port Threads** 3/4, 1, 1-1/2" Inch
- Pressure & Temperature Rating** – 0 to 250 psig (0 to 17.2 bar)
 32°F to 175°F (0°C to 80°C)
For Secondary Pressure Ranges see above charts.
 Automatic Float Drain – 15 to 250 psig (1.0 to 17.2 bar)
- Sump Capacity** 6.8 Ounces
- Weight –** 3/4" 5.3 lb. (2.4 kg)
- 1" 5.3 lb. (2.4 kg)
- 1-1/2"* 6.43 lb. (2.9 kg)

Materials of Construction

- Adjusting Stem** Steel
- Body, Bonnet, Bowl** Aluminum
- Drain** Plastic
- Filter Elements –** 40 Micron (Standard) Plastic
- 5 Micron (Optional) Plastic
- Adsorber (Optional) Activated Charcoal
- Knob** Plastic
- Piston** Plastic
- Seals** Nitrile
- Sight Gauge** Polyamide (Nylon)
- Springs –** Poppet & Control Steel

* 1" Port Body with 1-1/2" Port Block.



- Product Selection
- Filters
- Coalescers
- Regulators
- Filter / Regulators
- Lubricators
- Combos
- Accessories