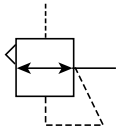
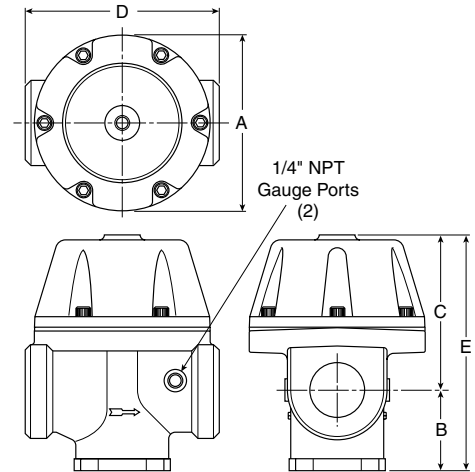


## R119 Pilot Operated Regulators - Hi-Flow



### Features

- Adapted for control by a remote or distant small pilot regulator. Ideal for maximum capacity requirements in applications where units are not readily accessible.
- High flow performance featuring rugged design for the most demanding applications.
- Ideal for those installations calling for constant pressure with wide variation in flow.
- Piston operated design with balanced poppet and dual constant bleed for quick and accurate regulation.
- High Flow: 2" & 2-1/2" – 1800 SCFM<sup>§</sup>



Port Size	NPT
	Relieving
Without Gauge 0-125 psig Reduced Pressure	
2"	<b>R119-16J</b>
2-1/2"	<b>R119-20J</b>

R119-16J, R119-20J Pilot Regulator Dimensions				
A	B	C	D	E
6.63 (168)	3.09 (79)	7.78 (147)	7.31 (185)	10.87 (276)

inches (mm)

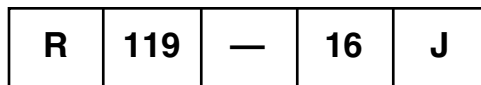
Standard part numbers shown bold. For other models refer to ordering information below.

§ SCFM = Standard Cubic Feet Per Minute at 100 psig Inlet, 75 psig No Flow Secondary Setting, and 20 psig Pressure Drop.

### **⚠ WARNING**

**Product rupture can cause serious injury.  
 Do not connect regulator to bottled gas.  
 Do not exceed maximum primary pressure rating.**

### Ordering Information



Port Threads
— NPT
G BSPP

Port Size
16 2 Inch
20 2-1/2 Inch

Reduced Pressure Range
J Air Pilot Operated

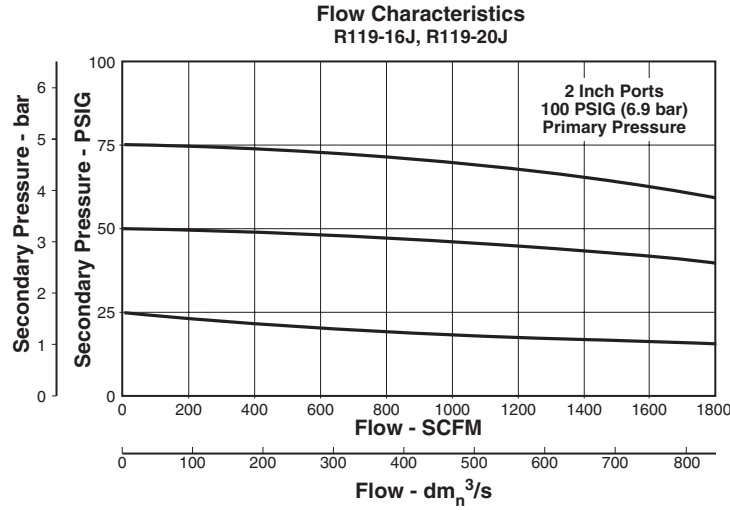
NOTE: Non-Relieving Not Available.

**BOLD ITEMS ARE MOST POPULAR.**



Product Selection  
 Filters  
 Coalescers  
 Regulators  
 Filter / Regulators  
 Lubricators  
 Combs  
 Accessories

**Technical Information**



**R119 Regulator Kits & Accessories**

**Gauges –**

- 2" Dial Size, 1/4" Back Connection  
0 to 60 psig (0 to 400 kPa) .....K4520N14060
- 2" Dial Size, 1/4" Back Connection  
0 to 160 psig (0 to 1100 kPa) ..... K4520N14160
- 2" Dial Size, 1/4" Back Connection  
0 to 300 psig (0 to 2068 kPa) .....K4520N14300

**Repair Kits –**

- Piston Type Regulation (2", 2-1/2") ..... RK119G

**Specifications**

- Gauge Ports (2)** ..... 1/4 Inch  
(Can be used for Full Flow)  
High Pressure Outlet for Pilot (Not seen in photo) ..... 1/4 Inch
- Port Threads** .....2, 2-1/2 Inch
- Reduced Pressure Range –**  
Adjustable to Within 5 to 7 psig of Supply Pressure
- Supply Pressure** ..... 300 psig Maximum (20.4 bar)
- Air Consumption –**  
Constant Bleed from Air Pilot Chamber:  
Approximately 0.17 SCFM (10 SCFH)  
Constant Bleed from Reduced Pressure:  
Approximately 0.17 SCFM (10 SCFH)
- Temperature Rating** ..... 40°F to 120°F (4.4°C to 48.9°C)
- Weight –**  
R119-16J, R119-20J ..... 15 lb. (6.80 kg) / Unit  
15 lb. (6.80 kg) / 1-Unit Master Pack

**Materials of Construction**

- Body, Piston** ..... Aluminum
- Seals** ..... Buna N
- Internvalve** ..... Brass & Stainless

<b>C</b>
Product Selection
Filters
Coalescers
Regulators
Filter / Regulators
Lubricators
Combos
Accessories

