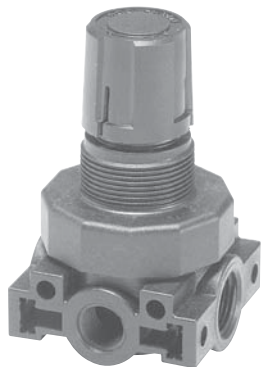
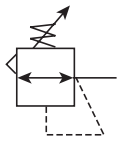
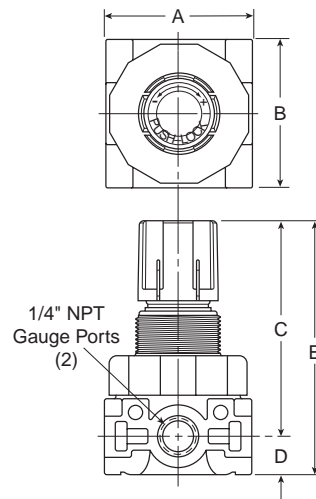


## R45, R46 Regulators – Miniature (Air / Water Service)



### Features

- Lightweight Plastic Body
- Constructed with a Combination of N.S.F. and F.D.A. Approved Materials
- Unbalanced Poppet Standard
- Non-rising, Push-to-lock Adjusting Knob
- Compact, 3.43 inch (87.1mm) high by 2.06 inch (52.3mm) wide
- Lightweight
- Diaphragm Operated



Port Size	NPT	
	Air Service Relieving	Water Service Non-Relieving
	Relieving, 0-125 Reduced Pressure, Without Gauge	
1/4"	<b>R45-02C</b>	<b>R46-02CK</b>
3/8"	<b>R45-03C</b>	<b>R46-03CK</b>

R45, R46 Regulator Dimensions		
A	B	C
2.06 (52)	2.06 (52)	2.90 (74)
D	E	
0.53 (14)	3.43 (87)	

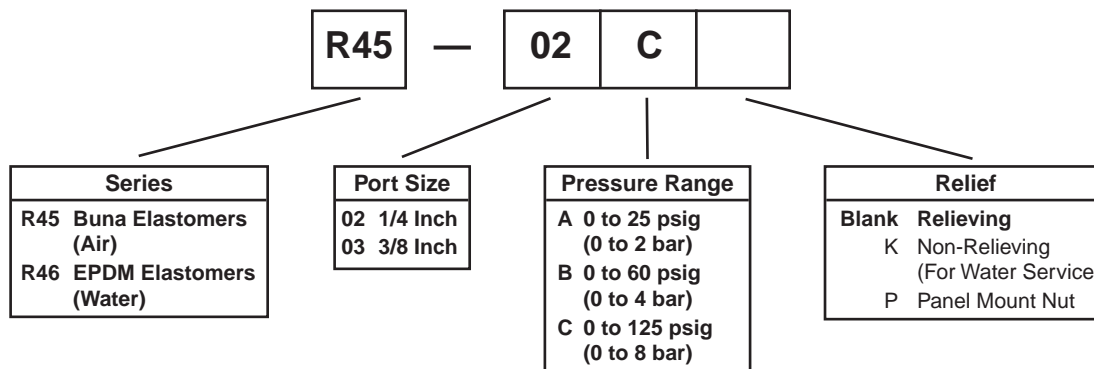
Inches (mm)

**Bold Items are Most Popular.**

For other models refer to ordering information below.

NOTE: 1.250 Dia. (31.8mm) hole required for panel mounting.

### Ordering Information



**BOLD ITEMS ARE MOST POPULAR.**