



**WDV3-G**

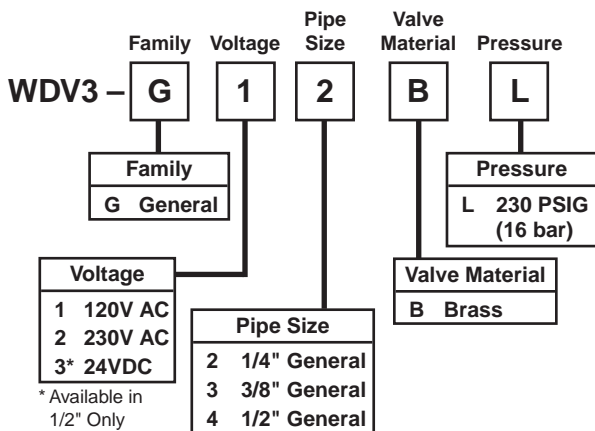
The WDV3 Electrical Drain is designed to remove condensate from compressors, compressed air dryers and receivers up to any size, type or manufacturer.

The WDV3 offers true installation simplicity and it is recognized as the most reliable and best performing condensate drain worldwide. The large orifice in the direct acting valve, combined with its sophisticated timer module ensure many years of trouble-free draining of condensate.

**Benefits**

- Does Not Air-Lock During Operation
- Compressed Air Systems Up to Any Size
- Also Available In Stainless Steel
- The Direct Acting Valve Is Serviceable
- Suitable for All Types of Compressors
- TEST (Micro-Switch) Feature
- High Time Cycle Accuracy
- Large (4.5mm) Valve Orifice

**Ordering Information**

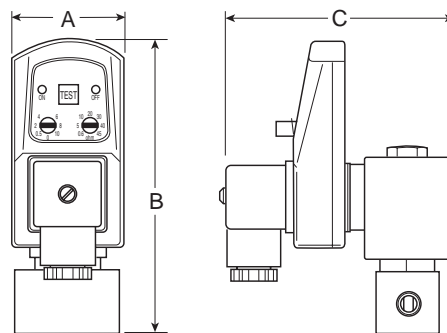


**Specifications**

**Operating Pressure**..... 230 PSIG (15,9 bar)  
**Ambient Operating Range Temperature:**  
 34° to 130°F (1.1° to 54°C)  
**Coil Insulation**  
 Class H ..... 340°F (171.1°C)  
**Voltages**  
 AC ..... 115, 230/50-60  
**Timer:**  
 Open Time ..... .5 to 10 sec., Adjustable  
 Cycle Time..... .5 sec. to 45 min., Adjustable  
**Maximum Current Rating** ..... 4mA Max.  
**Port Size**..... 1/4, 3/8, 1/2 NPT  
**Weight** ..... 1.8 lb. (0.8 kg)

**Materials of Construction**

**Valve Body** ..... Brass / Stainless Steel  
**Enclosure (NEMA 4)**..... ABS Plastic  
**Internal Parts** ..... Brass / Stainless Steel  
**Sealing Material**..... FPM (Fluorocarbon)



**Model Selection and Dimensions**

Model Number	A	B	C
WDV3-G**BL	1.73 (44)	4.53 (115)	3.46 (88)

**J**

Tanks & Air Chucks

Mufflers & Silencers

Relief & Exhaust Valves

Pressure Switches

AirGuard Protection Valves

Drain Valves

Safety Blow Guns