

Solenoid Valve Manifolds

Industry Leading Cartridge Valves



Enhance system integrity with cost effective, manifolded solenoid valves. Simplify valve installation while reducing total purchasing, installation, and testing costs.

The modular design allows for a variety of valve options in one manifold. Valve selection and manifold assembly is performed by our distribution teams to provide quick turn-around and local support.

Product Features:

Typical Applications:

- Assembly Cells
- Service Carts
- Instrument Panels
- Industrial Equipment
- Multiple Valve Installation
- Improved System Reliability
- Reduced Fittings, Tubing, and Potential Leak Paths
- Simplified Purchasing, Installation, and Testing
- Self-contained Cartridge Valves
- Stainless Steel Orifice for Long Life
- 100% Factory Tested Cartridge Valves
- Single Tool Installation

Product Specifications

Mechanical

2-Way Manifolds

Materials:

Stainless Steel (303)
Aluminum (6061-T6)

Stations:

2, 3, 4, 6 & 8

Ports:

1/4" NPT – Inlets and Outlets
Common Inlet Port "2" (both ends)

3-Way Manifolds

Materials:

Aluminum (6061-T6)

Stations:

2, 3 & 4

Ports:

1/4" NPT – Inlets and Outlets
Common Inlet Port "1" (both ends)

Also used for 2-Way Normally Closed with multiple inlets and a single outlet.

Performance

2-Way & 3-Way Cartridge Valves

Orifice Sizes:

3/64" to 5/32"

Max Operating Pressure Differential:

Up to 950 psi (65 bar)

Flow Factor (Cv):

Up to 0.38

Seals:

FKM (standard offering)

Shading Ring:

Copper

Media Temperature Range:

32 to 240°F (0 to 116°C)

Ambient Temperature Range:

AC: 32 to 135°F (0 to 57°C)
DC: 32 to 125°F (0 to 52°C)



Electrical

Voltage:

AC:
24/60, 120/60-110/50,
240/60-220/50
DC:
12 & 24

Connections:

DIN, Leads, Tab

Temperature Class:

F & H

Solenoid Valve Manifolds

Industry Leading Cartridge Valves

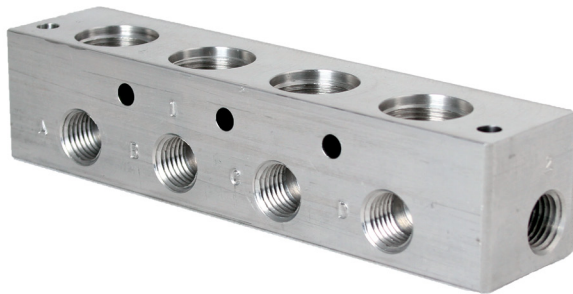
Manifold Options

Parker's Fluid Control Division (FCD) offers the following as our standard manifold offering.

2-Way Normally Closed Manifolds provide common inlet ports on both ends (Port ID – 2) and outlet ports (Port ID – 1). Manifold inlets and outlets have 1/4" NPT ports. Each outlet port is individually marked with a unique letter to allow for easy customization.

3-Way Normally Closed Manifolds provide common inlet ports on both ends (Port ID – 1) and outlet ports (Port ID – 2), with the exhaust port out the top of the sleeve (Port ID – 3). Manifold ports are 1/4" NPT with 1/8" NPT exhaust ports at the top of each valve.

2-Way Normally Closed Manifolds



Material	Part Number	Stations
303 Stainless Steel	4C202	2
	4C203	3
	4C204	4
	4C206	6
	4C208	8

Material	Part Number	Stations
6061-T6 Aluminum	4A202	2
	4A203	3
	4A204	4
	4A206	6
	4A208	8

2-Way Normally Closed Cartridge Valves



Pressure Vessel Number	Orifice	Cv	MOPD AC (psi)	MOPD DC (psi)
209CL5EV4	3/64"	0.06	950	390
209CL5GV4	1/16"	0.10	625	255
209CL5LV4	3/32"	0.22	320	130
209CL5MV4	7/64"	0.28	245	100
209CL5PV4	1/8"	0.32	175	60
209CL5QV4	5/32"	0.38	100	30

3-Way Normally Closed Manifolds



Material	Part Number	Stations
6061-T6 Aluminum	4A302	2
	4A303	3
	4A304	4

3-Way Normally Closed Cartridge Valves



Pressure Vessel Number	Body		Sleeve		MOPD AC (psi)	MOPD DC (psi)
	Orifice	Cv	Orifice	Cv		
309CL5EV4	3/64"	0.02	3/64"	0.02	200	200
309CL5GV4	1/16"	0.09	1/16"	0.09	130	130
309CL5PV4	1/8"	0.32	3/32"	0.20	40	40
309CL5QV4	5/32"	0.38	3/32"	0.20	25	25

Coil Options

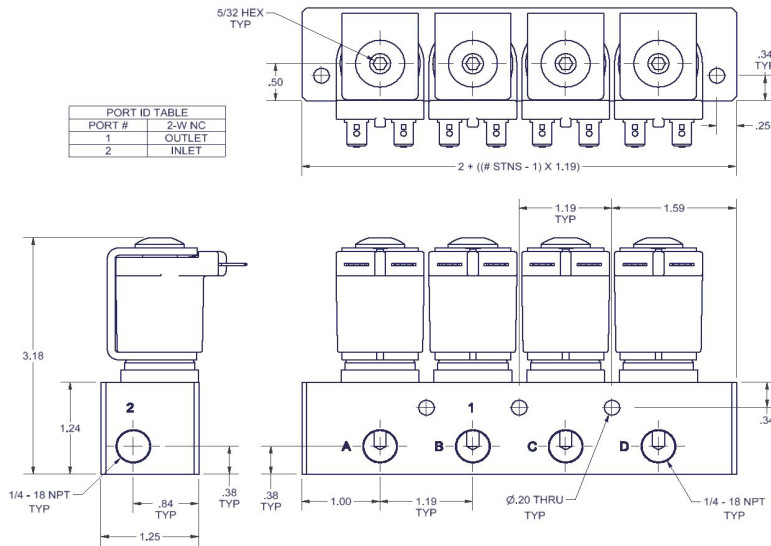
	Part #	Voltage	Type	Wattage AC / DC	Class
	D6A	12 VDC	Integrated DIN 43650A/ ISO 4400	AC: 9.5 Watts – 2-Way NC 10 Watts – 3-Way DC: 8 Watts	H
	D6B	24 VDC			
	D6E	24/60			
	D6F	120/60, 110/50			
	D6G	240/60, 220/50			
	L2A	12 VDC	Open Frame - with 18" Leads	AC: 9.5 Watts – 2-Way NC 10 Watts – 3-Way DC: 8 Watts	F
	L2B	24 VDC			
	L2E	24/60			
	L2F	120/60, 110/50			
	L2G	240/60, 220/50			
	T2A	12 VDC	Open Frame - with 1/4" Tab	AC: 9.5 Watts – 2-Way NC 10 Watts – 3-Way DC: 8 Watts	F
	T2B	24 VDC			
	T2E	24/60			
	T2F	120/60, 110/50			
	T2G	240/60, 220/50			

Solenoid Valve Manifolds

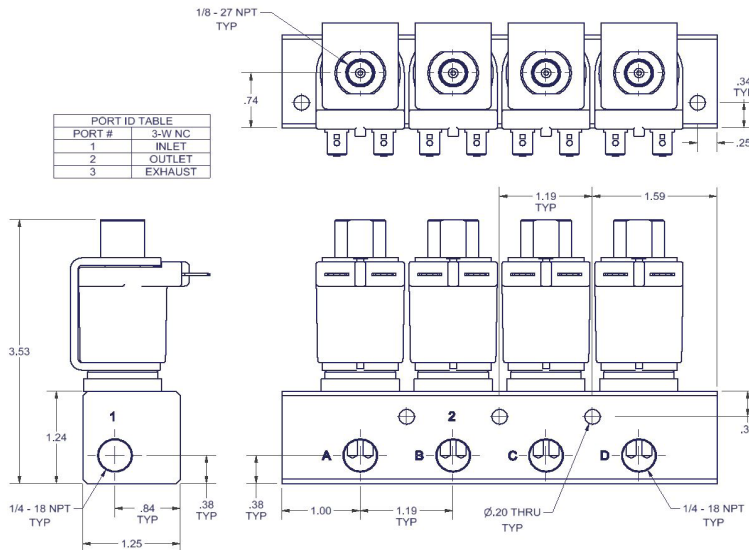
Industry Leading Cartridge Valves

Dimensions

2-Way Normally Closed



3-Way Normally Closed



How to Order

To provide quick turn-around for numerous options, the manifolds, cartridge valves, and coils are sold modularly. 1) Order the manifold based on material, Service Type (2- or 3-way), and number of stations. 2) Order cartridge valves based on flow and pressure requirements. 3) Order coils based on voltage, electrical connections, and temperature class required for the application. Each cartridge valve comes with assembly instructions (IOM CV4) and coil retainers.

Accessories



Isolation Plug
 4K008 (Kit contains 5 pieces)
 Seals port inlet & outlet
 303 SST, FKM Seals



Sensor Port
 4K009 (Kit contains 5 pieces)
 Provides 1/4" port to monitor
 common port pressure
 303 SST, FKM Seals

