



56 Series Fitting Selection

Parflex / Polyflex - Inch and Metric Fittings

aerospace
climate control
electromechanical
filtration
fluid & gas handling
hydraulics
pneumatics
process control
sealing & shielding



ENGINEERING YOUR SUCCESS.

56 Series

The new, improved 56 series follows the same naming convention as other Parflex fittings. The example below describes a permanent crimp 1/2" Male JIC 37° with a 3/8" I.D. hose size. This fitting is constructed of steel since the designated material is blank.

Example: 10356-8-6

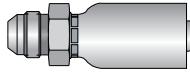
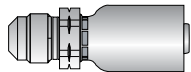
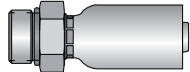
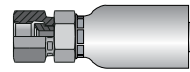
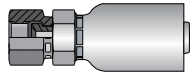
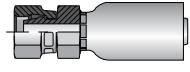
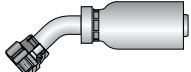
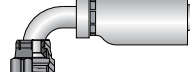
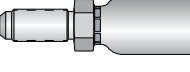
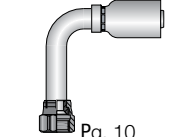
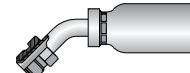
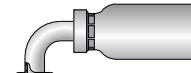
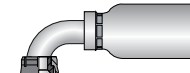
10356-8-6 – **Fitting Type** (1 = Permanent/Crimp)
10356-8-6 – **End Connection Code** (Male JIC 37°)
10356-8-6 – **Fitting Series** (Series 56)
10356-8-6 – **Connection Size** (-8)
10356-8-6 – **Hose I.D.** (3/8")
10356-8-6**C** – **Alternate Material**

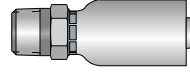
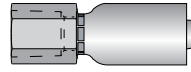
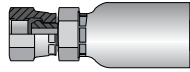
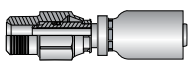
Parker Fitting Material Selection

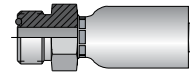
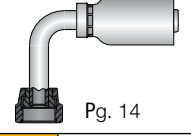
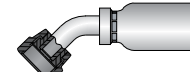
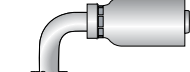
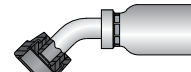
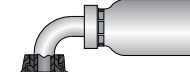
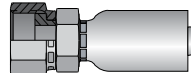
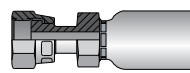
- Blank = Steel (unless otherwise noted)
- B = All Brass
- C = Stainless Steel
- S = All Carbon Steel – Used only with PTFE Fittings

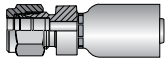
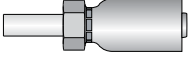
Technical Features for 56 Series

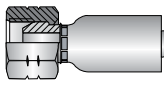
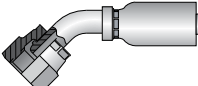
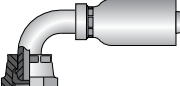
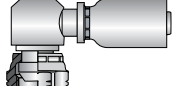
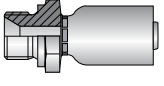
- 56 series is shorter and more compact than 55/58 series
 - Weight reduction up to 20%
 - Easier handling and installation in tight installation areas
 - Short length may allow use of hose routing to replace current elbow fittings
- Faster & easier hose crimping
 - Full length crimp of the sleeve (no marking of crimp length needed), therefore easier, safer and faster crimping vs. 55 series
 - Current 55 series dies are qualified and can be used with the 56 series
- Product consolidation:
 - Consolidation of 2 series into one. (55 and 58 = 56) thus reducing the customer inventory
 - Easy to choose product range
 - Global fitting series:
 - Global availability
 - Global part numbering with metric & inch hex and end connections

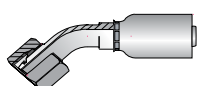
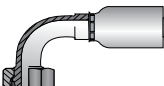
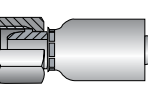
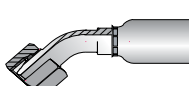
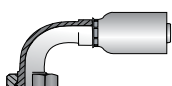
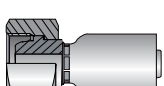
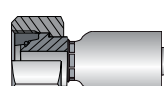
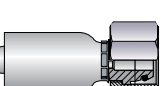
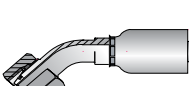
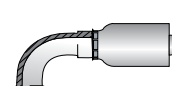

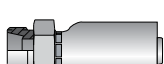
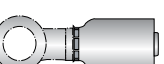
| | | | | | | | | | | |
|-------------------------------|---|------------------------------------|---|------------------------------------|---|--|---|---------------------------|---|------------------------------------|
| SAE & JIC Fittings | 103 | Male (JIC) 37° Rigid | 104 | Male SAE 45° Rigid | 105 | Male Str. Thread O-Ring | 106 | SAE (JIC) 37° Swivel | 108 | Female SAE 45° Swivel |
| |  | Pg. 5 |  | Pg. 5 |  | Pg. 6 |  | Pg. 7 |  | Pg. 8 |
| | 112 | SAE Flareless Swivel | 137 | FM JIC 37° Swivel 45° Elbow | 139 | FM JIC 37° Swivel 90° Elb. Short Drop | 13E | Male (JIC) 37° Rigid Long | 141 | Female JIC 37° Swivel 90° Elbow-Lg |
| |  | Pg. 8 |  | Pg. 9 |  | Pg. 9 |  | Pg. 8 |  | Pg. 10 |
| | 167 | SAE Male Inverted Swivel 45° Elbow | 169 | SAE Male Inverted Swivel 90° Elbow | 1L9 | Female JIC 37° Swivel 90° Elb. Medium Drop | | | | |
| |  | Pg. 10 |  | Pg. 10 |  | Pg. 11 | | | | |

| | | | | | | | | |
|----------------------|---|-----------------------|---|-------------------------|---|--------------------|---|------------------|
| NPTF Fittings | 101 | Male Taper Pipe Rigid | 102 | Female Taper Pipe Rigid | 107 | Female Pipe Swivel | 113 | Male Pipe Swivel |
| |  | Pg. 11 |  | Pg. 12 |  | Pg. 12 |  | Pg. 12 |

| | | | | | | | | | | |
|----------------------------------|---|------------------------------------|---|------------------------------------|---|----------------------------|---|---------------------------------|---|----------------------------|
| ORFS (Seal-Lok™) Fittings | 1J0 | Male Seal-Lok™ Rigid Str. w/O-Ring | 1J1 | Female Seal-Lok™ 90° Elbow Long | 1J2 | Female Seal-Lok™ 30° Elbow | 1J5 | Female Seal-Lok™ 90° Elbow Med. | 1J7 | Female Seal-Lok™ 45° Elbow |
| |  | Pg. 13 |  | Pg. 14 |  | Pg. 14 |  | Pg. 15 |  | Pg. 16 |
| | 1J9 | Female Seal-Lok™ 90° Elbow Short | 1JC | Female Seal-Lok™ Str. Swivel Short | 1JS | Female Seal-Lok™ Straight | | | | |
| |  | Pg. 16 |  | Pg. 13 |  | Pg. 15 | | | | |

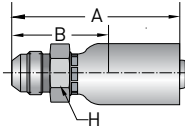
| | | |
|---------------------------|---|---|
| Specialty Fittings | 1AL A-Lok Compression | 1TU Universal Inch Tube Stub End |
| |  Pg. 17 |  Pg. 17 |

| | | | | | |
|---------------------|---|---|---|---|---|
| BSP Fittings | 192 FM BSP Parallel Pipe Swivel Str. | 1B1 Female BSP Pipe Swivel 45° Elb. (60° Cone) | 1B2 Female BSP Pipe Swivel 90° Elb. (60° Cone) | 1B4 FM BSP Swivel 90° Elb. Block Type (60° Cone) | 1D9 Male BSPP - Str. (60° Cone) |
| |  Pg. 18 |  Pg. 19 |  Pg. 19 |  Pg. 20 |  Pg. 20 |

| | | | | | |
|---|---|---|---|---|---|
| Metric Fittings | 10C M FM Swivel 24° Oring 45° Elb. Lt. | 11C M FM Swivel 24° Oring 90° Elb. Lt. | 1C3 M FM Swivel Nut Light | 1C4 M FM Swivel 45° Elbow Lt. | 1C5 M FM Swivel 90° Elbow Lt. |
| |  Pg. 26 |  Pg. 26 |  Pg. 21 |  Pg. 21 |  Pg. 22 |
| | 1C6 M FM Swivel DIN 20078 HW w/o Oring | 1C9 M FM Swivel DIN 20078 HW Oring | 1CA M FM Swivel 24° Lt. Oring | 1CE M FM Swivel 24° Oring 45° Elb. | 1CF M FM Swivel 24° Oring 90° Elb. |
|  Pg. 22 |  Pg. 23 |  Pg. 23 |  Pg. 24 |  Pg. 24 | |
| 1D0 M Male Stud DIN 20078 Lt. | 1D2 M Male Stud 24° Lt. | 149 M Banjo Union | M = Metric | | |
|  Pg. 25 |  Pg. 25 |  Pg. 26 | | | |

SAE and JIC Fittings

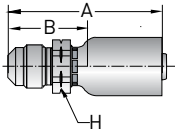
10356 Male (JIC) 37° - Rigid



| Part Number | Thread Size | Hose I.D. | | A | | Cutoff Allow. B | | H Hex |
|-------------|-------------|-----------|----|------|----|-----------------|----|-------|
| | | inch | mm | inch | mm | inch | mm | inch |
| # | | | | | | | | |
| 10356-4-3 | 7/16-20 | 3/16 | 5 | 1.83 | 46 | 1-1/8 | 28 | 9/16 |
| 10356-4-4 | 7/16-20 | 1/4 | 6 | 2.10 | 53 | 1-1/8 | 28 | 9/16 |
| 10356-5-4 | 1/2-20 | 1/4 | 6 | 2.10 | 53 | 1-1/8 | 28 | 9/16 |
| 10356-6-4 | 9/16-18 | 1/4 | 6 | 2.14 | 54 | 1-3/16 | 30 | 11/16 |
| 10356-6-5 | 9/16-18 | 5/16 | 8 | 2.22 | 56 | 1-3/16 | 30 | 11/16 |
| 10356-5-6 | 1/2-20 | 3/8 | 10 | 2.14 | 54 | 1-1/8 | 28 | 5/8 |
| 10356-6-6 | 9/16-18 | 3/8 | 10 | 2.15 | 55 | 1-3/16 | 30 | 5/8 |
| 10356-8-6 | 3/4-16 | 3/8 | 10 | 2.25 | 57 | 1-1/4 | 32 | 13/16 |
| 10356-8-8 | 3/4-16 | 1/2 | 13 | 2.40 | 61 | 1-5/16 | 33 | 7/8 |
| 10356-10-8 | 7/8-14 | 1/2 | 13 | 2.60 | 66 | 1-1/2 | 38 | 15/16 |
| 10356-12-10 | 1-1/16-12 | 5/8 | 16 | 2.97 | 75 | 1-5/8 | 42 | 1-1/8 |
| 10356-12-12 | 1-1/16-12 | 3/4 | 19 | 3.07 | 78 | 1-3/4 | 44 | 1-1/8 |
| 10356-16-16 | 1-5/16-12 | 1 | 25 | 3.66 | 93 | 1-3/4 | 44 | 1-3/8 |

Construction: Steel. Add "C" for Stainless Steel.
 Note: Metric hex parts are available upon request.

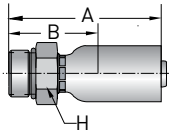
10456 Male SAE 45° - Rigid



| Part Number | Thread Size | Hose I.D. | | A | | Cutoff Allow. B | | H Hex |
|-------------|-------------|-----------|----|------|----|-----------------|----|-------|
| | | inch | mm | inch | mm | inch | mm | inch |
| # | | | | | | | | |
| 10456-4-3 | 7/16-20 | 3/16 | 5 | 1.71 | 43 | 1 | 25 | 9/16 |
| 10456-5-4 | 1/2-20 | 1/4 | 6 | 2.11 | 54 | 1-1/8 | 28 | 9/16 |
| 10456-6-5 | 5/8-18 | 5/16 | 8 | 2.18 | 55 | 1-3/16 | 30 | 11/16 |
| 10456-6-6 | 5/8-18 | 1/2 | 13 | 2.16 | 55 | 1-3/16 | 30 | 11/16 |
| 10456-6-8 | 5/8-18 | 1/2 | 13 | 2.37 | 60 | 1-1/4 | 32 | 3/4 |
| 10456-8-8 | 3/4-16 | 1/2 | 13 | 0.25 | 64 | 1-3/8 | 35 | 7/8 |
| 10456-12-12 | 1-1/16-14 | 3/4 | 19 | 3.11 | 79 | 1-3/4 | 44 | 1-1/8 |

Construction: Steel. Add "C" for Stainless Steel.

10556 Male Straight Thread O-Ring (BUNA N O-Ring included)

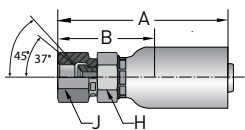


| Part Number | Thread Size | Hose I.D. | | A | | Cutoff Allow. B | | H Hex |
|-------------|-------------|-----------|----|------|----|-----------------|----|-------|
| | | inch | mm | inch | mm | inch | mm | inch |
| # | | | | | | | | |
| 10556-4-3 | 7/16-20 | 3/16 | 4 | 1.61 | 41 | 15/16 | 24 | 9/16 |
| 10556-6-3 | 9/16-18 | 3/16 | 4 | 1.64 | 42 | 15/16 | 24 | 11/16 |
| 10556-4-4 | 7/16-20 | 1/4 | 6 | 1.84 | 47 | 7/8 | 22 | 9/16 |
| 10556-5-4 | 1/2-20 | 1/4 | 6 | 1.84 | 47 | 7/8 | 22 | 5/8 |
| 10556-6-4 | 9/16-18 | 1/4 | 6 | 1.91 | 49 | 15/16 | 24 | 11/16 |
| 10556-4-5 | 7/16-20 | 5/16 | 8 | 1.91 | 49 | 7/8 | 22 | 5/8 |
| 10556-5-5 | 1/2-20 | 5/16 | 8 | 1.91 | 49 | 7/8 | 22 | 5/8 |
| 10556-6-6 | 9/16-18 | 3/8 | 10 | 1.95 | 50 | 15/16 | 24 | 11/16 |
| 10556-8-6 | 3/4-16 | 3/8 | 10 | 1.98 | 50 | 1 | 25 | 7/8 |
| 10556-8-8 | 3/4-16 | 1/2 | 12 | 2.21 | 56 | 1-1/8 | 28 | 7/8 |
| 10556-10-8 | 7/8-14 | 1/2 | 12 | 2.28 | 58 | 1-3/16 | 30 | 1 |

Construction: Steel. Add "C" for Stainless Steel.

Note: Metric hex parts are available upon request.

10656 SAE (JIC) 37° Swivel

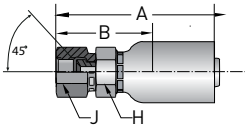


| Part Number | Thread Size | Hose I.D. | | A | | Cutoff Allow. B | | H Hex | J Hex |
|-------------|-------------|-----------|----|------|-----|-----------------|----|--------|-------|
| | | inch | mm | inch | mm | inch | mm | inch | inch |
| # | | | | | | | | | |
| 10656-3-3 | 3/8-24 | 3/16 | 5 | 1.91 | 49 | 1-3/16 | 30 | 1/2 | 1/2 |
| 10656-4-3 | 7/16-20 | 3/16 | 5 | 1.78 | 45 | 1-1/16 | 27 | 9/16 | 9/16 |
| 10656-5-3 | 1/2-20 | 3/16 | 5 | 1.84 | 47 | 1-1/8 | 28 | 9/16 | 5/8 |
| 10656-2-4 | 3/8-24 | 1/4 | 6 | 1.98 | 50 | 1 | 25 | 1/2 | 7/16 |
| 10656-4-4 | 7/16-20 | 1/4 | 6 | 2.05 | 52 | 1-1/16 | 27 | 9/16 | 9/16 |
| 10656-5-4 | 1/2-20 | 1/4 | 6 | 2.12 | 54 | 1-1/8 | 28 | 9/16 | 5/8 |
| 10656-6-4 | 9/16-18 | 1/4 | 6 | 2.14 | 54 | 1-3/16 | 30 | 11/16 | 9/16 |
| 10656-4-5 | 7/16-20 | 5/16 | 8 | 2.10 | 53 | 1-1/16 | 27 | 9/16 | 9/16 |
| 10656-5-5 | 1/2-20 | 5/16 | 8 | 2.21 | 56 | 1-3/16 | 30 | 5/8 | 5/8 |
| 10656-6-5 | 9/16-18 | 5/16 | 8 | 2.23 | 57 | 1-3/16 | 30 | 5/8 | 11/16 |
| 10656-4-6 | 7/16-20 | 3/8 | 10 | 2.09 | 53 | 1-1/8 | 28 | 9/16 | 9/16 |
| 10656-5-6 | 1/2-20 | 3/8 | 10 | 2.23 | 57 | 1-1/4 | 32 | 5/8 | 5/8 |
| 10656-6-6 | 9/16-18 | 3/8 | 10 | 2.22 | 56 | 1-1/4 | 32 | 11/16 | 11/16 |
| 10656-8-6 | 3/4-16 | 3/8 | 10 | 2.37 | 60 | 1-3/8 | 35 | 11/16 | 7/8 |
| 10656-6-8 | 9/16-18 | 1/2 | 13 | 2.42 | 61 | 1-5/16 | 33 | 3/4 | 11/16 |
| 10656-8-8 | 3/4-16 | 1/2 | 13 | 2.54 | 64 | 1-7/16 | 36 | 13/16 | 7/8 |
| 10656-10-8 | 7/8-14 | 1/2 | 13 | 2.64 | 67 | 1-1/2 | 38 | 7/8 | 1 |
| 10656-8-10 | 3/4-16 | 5/8 | 16 | 2.73 | 69 | 1-7/16 | 36 | 15/16 | 7/8 |
| 10656-10-10 | 7/8-14 | 5/8 | 16 | 2.99 | 76 | 1-11/16 | 43 | 15/16 | 1 |
| 10656-12-10 | 1-1/16-12 | 5/8 | 16 | 3.06 | 78 | 1-3/4 | 44 | 1-1/16 | 1-1/4 |
| 10656-10-12 | 7/8-14 | 3/4 | 19 | 2.88 | 73 | 1-1/2 | 38 | 1-1/16 | 1 |
| 10656-12-12 | 1-1/16-12 | 3/4 | 19 | 3.06 | 78 | 1-3/4 | 44 | 1-1/16 | 1-1/4 |
| 10656-16-12 | 1-5/16-12 | 3/4 | 19 | 3.27 | 83 | 1-15/16 | 49 | 1-1/4 | 1-1/2 |
| 10656-16-16 | 1-5/16-12 | 1 | 25 | 3.81 | 97 | 1-15/16 | 49 | 1-3/8 | 1-1/2 |
| 10656-20-16 | 1-5/8-12 | 1 | 25 | 3.96 | 101 | 2-1/16 | 52 | 1-5/8 | 2 |

Construction: Steel. Add "C" for Stainless Steel.

Note: Metric hex parts are available upon request. Sizes -4, -5, -8 and -10 incorporate a dual seat.

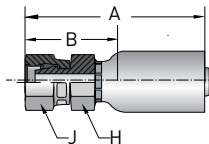
10856 Female SAE 45° Swivel



| Part Number | Thread Size | Hose I.D. | | A | | Cutoff Allow. B | | H Hex | J Hex |
|-------------|-------------|-----------|----|------|----|-----------------|----|--------|-------|
| | | inch | mm | inch | mm | inch | mm | inch | inch |
| # | | | | | | | | | |
| 10856-6-4 | 5/8-18 | 1/4 | 6 | 2.19 | 56 | 1-1/4 | 32 | 11/16 | 3/4 |
| 10856-6-5 | 5/8-18 | 5/16 | 8 | 2.28 | 58 | 1-1/4 | 32 | 11/16 | 3/4 |
| 10856-6-6 | 5/8-18 | 3/8 | 10 | 2.36 | 60 | 1-3/8 | 35 | 11/16 | 3/4 |
| 10856-12-12 | 1-1/16-14 | 3/4 | 19 | 3.06 | 78 | 1-3/4 | 44 | 1-1/16 | 1-1/4 |

Construction: Steel. Add "C" for Stainless Steel.

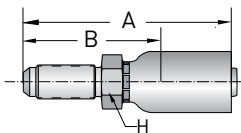
11256 SAE Flareless Swivel



| Part Number | Thread Size | Hose I.D. | | A | | Cutoff Allow. B | | H Hex | J Hex |
|-------------|-------------|-----------|----|------|----|-----------------|----|-------|-------|
| | | inch | mm | inch | mm | inch | mm | inch | inch |
| # | | | | | | | | | |
| 11256-6-4 | 9/16-18 | 1/4 | 6 | 2.14 | 54 | 1-3/16 | 30 | 11/16 | 9/16 |
| 11256-6-6 | 9/16-18 | 3/8 | 10 | 2.22 | 56 | 1-1/4 | 32 | 11/16 | 11/16 |
| 11256-8-6 | 3/4-16 | 3/8 | 10 | 2.37 | 60 | 1-3/8 | 35 | 11/16 | 7/8 |

Construction: Steel. Add "C" for Stainless Steel.

13E56 Male (JIC) 37° Long

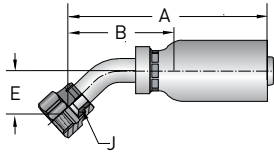


| Part Number | Thread Size | Hose I.D. | | A | | Cutoff Allow. B | | H Hex |
|-------------|-------------|-----------|----|------|----|-----------------|----|-------|
| | | inch | mm | inch | mm | inch | mm | inch |
| # | | | | | | | | |
| 13E56-4-4 | 7/16-20 | 1/4 | 6 | 2.80 | 71 | 1-13/16 | 46 | 5/8 |
| 13E56-6-5 | 9/16-18 | 5/16 | 8 | 2.97 | 75 | 1-15/16 | 49 | 3/4 |
| 13E56-6-6 | 9/16-18 | 3/8 | 10 | 2.97 | 75 | 2 | 50 | 7/8 |
| 13E56-8-8 | 3/4-16 | 1/2 | 13 | 3.24 | 82 | 2-1/8 | 54 | 7/8 |

Construction: Steel. Add "C" for Stainless Steel.

NOTE: Bulkhead Locknut sold separately. WLN Locknuts are manufactured by the Tube Fittings Division. Refer to Catalog 4300 for additional information.

13756 Female JIC 37° Swivel 45° Elbow

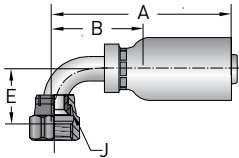


| Part Number | Thread Size | Hose I.D. | | A | | Cutoff Allow. B | | E | | J Hex |
|-------------|-------------|-----------|----|------|-----|-----------------|----|------|----|-------|
| | | inch | mm | inch | mm | inch | mm | inch | mm | inch |
| # | | | | | | | | | | |
| 13756-4-3 | 7/16-20 | 3/16 | 5 | 1.93 | 49 | 1-1/4 | 32 | .39 | 10 | 9/16 |
| 13756-4-4 | 7/16-20 | 1/4 | 6 | 2.19 | 56 | 1-1/4 | 32 | .39 | 10 | 9/16 |
| 13756-5-4 | 1/2-20 | 1/4 | 6 | 2.46 | 62 | 1-1/2 | 38 | .39 | 10 | 5/8 |
| 13756-6-4 | 9/16-18 | 1/4 | 6 | 2.24 | 57 | 1-1/4 | 32 | .43 | 11 | 11/16 |
| 13756-6-5 | 9/16-18 | 5/16 | 8 | 2.53 | 64 | 1-1/2 | 38 | .43 | 11 | 11/16 |
| 13756-6-6 | 9/16-18 | 3/8 | 10 | 2.57 | 65 | 1-9/16 | 40 | .43 | 11 | 11/16 |
| 13756-8-6 | 3/4-16 | 3/8 | 10 | 2.76 | 70 | 1-3/4 | 44 | .59 | 15 | 7/8 |
| 13756-8-8 | 3/4-16 | 1/2 | 13 | 2.72 | 69 | 1-5/8 | 41 | .59 | 15 | 7/8 |
| 13756-10-8 | 7/8-14 | 1/2 | 13 | 2.76 | 70 | 1-5/8 | 41 | .63 | 16 | 1 |
| 13756-10-10 | 7/8-14 | 5/8 | 16 | 3.15 | 80 | 1-13/16 | 46 | .63 | 16 | 1 |
| 13756-12-10 | 1-1/16-12 | 5/8 | 16 | 3.61 | 92 | 2-5/16 | 59 | .83 | 21 | 1-1/4 |
| 13756-12-12 | 1-1/16-12 | 3/4 | 19 | 3.72 | 95 | 2-3/8 | 60 | .83 | 21 | 1-1/4 |
| 13756-16-16 | 1-5/16-12 | 1 | 25 | 4.42 | 112 | 2-1/2 | 63 | .94 | 24 | 1-1/2 |

Construction: Steel. Add "C" for Stainless Steel.

Note: Metric hex parts are available upon request.

13956 Female JIC 37° Swivel 90° Elbow Short Drop

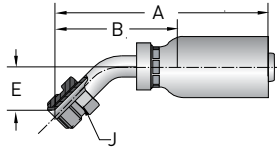


| Part Number | Thread Size | Hose I.D. | | A | | Cutoff Allow. B | | E | | J Hex |
|-------------|-------------|-----------|----|------|-----|-----------------|----|------|----|-------|
| | | inch | mm | inch | mm | inch | mm | inch | mm | inch |
| # | | | | | | | | | | |
| 13956-4-3 | 7/16-20 | 3/16 | 5 | 1.75 | 44 | 1-1/16 | 27 | .83 | 21 | 9/16 |
| 13956-4-4 | 7/16-20 | 1/4 | 6 | 2.01 | 51 | 1-1/16 | 27 | .83 | 21 | 9/16 |
| 13956-5-4 | 1/2-20 | 1/4 | 6 | 2.01 | 51 | 1-1/16 | 27 | .83 | 21 | 9/16 |
| 13956-6-4 | 9/16-18 | 1/4 | 6 | 2.01 | 51 | 1-1/16 | 27 | .91 | 23 | 11/16 |
| 13956-6-5 | 9/16-18 | 5/16 | 8 | 2.14 | 54 | 1-1/8 | 28 | .91 | 23 | 11/16 |
| 13956-6-6 | 9/16-18 | 3/8 | 10 | 2.22 | 56 | 1-1/4 | 32 | .91 | 23 | 11/16 |
| 13956-8-6 | 3/4-16 | 3/8 | 10 | 2.55 | 65 | 1-9/16 | 40 | 1.14 | 29 | 7/8 |
| 13956-8-8 | 3/4-16 | 1/2 | 13 | 2.48 | 63 | 1-3/8 | 35 | 1.14 | 29 | 7/8 |
| 13956-10-8 | 7/8-14 | 1/2 | 13 | 2.48 | 63 | 1-3/8 | 35 | 1.26 | 32 | 1 |
| 13956-10-10 | 7/8-14 | 5/8 | 16 | 2.96 | 75 | 1-5/8 | 41 | 1.26 | 32 | 1 |
| 13956-12-10 | 1-1/16-12 | 5/8 | 19 | 3.39 | 86 | 2-1/16 | 52 | 1.89 | 48 | 1-1/4 |
| 13956-12-12 | 1-1/16-12 | 3/4 | 19 | 3.42 | 91 | 2-1/16 | 52 | 1.89 | 48 | 1-1/4 |
| 13956-16-16 | 1-5/16-12 | 1 | 25 | 4.36 | 111 | 2-1/2 | 63 | 2.20 | 56 | 1-1/2 |

Construction: Steel. Add "C" for Stainless Steel.

Note: Metric hex parts are available upon request.

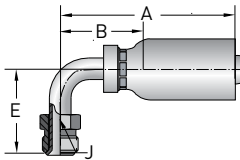
16756 SAE Male Inverted Swivel 45° Elbow



| Part Number | Thread Size | Hose I.D. | | A | | Cutoff Allow. B | | E | | J Hex |
|-------------|-------------|-----------|----|------|----|-----------------|----|------|----|-------|
| | | inch | mm | inch | mm | inch | mm | inch | mm | inch |
| # | | | | | | | | | | |
| 16756-6-6 | 5/8-18 | 3/8 | 10 | 2.90 | 74 | 1-3/4 | 44 | .94 | 24 | 5/8 |

Construction: Steel. Add "C" for Stainless Steel.

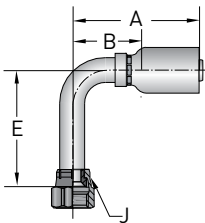
16956 SAE Male Inverted Swivel 90° Elbow



| Part Number | Thread Size | Hose I.D. | | A | | Cutoff Allow. B | | E | | J Hex |
|-------------|-------------|-----------|----|------|----|-----------------|----|------|----|-------|
| | | inch | mm | inch | mm | inch | mm | inch | mm | inch |
| # | | | | | | | | | | |
| 16956-6-6 | 5/8-18 | 3/8 | 10 | 1.65 | 42 | 1-9/16 | 40 | 1.70 | 43 | 5/8 |

Construction: Steel. Add "C" for Stainless Steel.

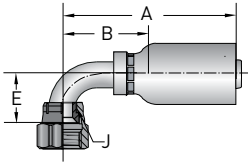
14156 Female JIC 37° Swivel 90° Elbow Long Drop



| Part Number | Thread Size | Hose I.D. | | A | | Cutoff Allow. B | | E | | J Hex |
|-------------|-------------|-----------|----|------|-----|-----------------|----|------|-----|-------|
| | | inch | mm | inch | mm | inch | mm | inch | mm | inch |
| # | | | | | | | | | | |
| 14156-4-3 | 7/16-20 | 3/16 | 5 | 1.73 | 44 | 1-1/16 | 27 | 1.81 | 46 | 9/16 |
| 14156-4-4 | 7/16-20 | 1/4 | 6 | 2.01 | 51 | 1-1/16 | 27 | 1.81 | 46 | 9/16 |
| 14156-5-4 | 1/2-20 | 1/4 | 6 | 2.01 | 51 | 1-1/16 | 27 | 1.81 | 46 | 5/8 |
| 14156-6-4 | 9/16-18 | 1/4 | 6 | 2.01 | 51 | 1-1/16 | 27 | 2.13 | 54 | 11/16 |
| 14156-6-5 | 9/16-18 | 5/16 | 8 | 2.14 | 54 | 1-1/8 | 28 | 2.13 | 54 | 11/16 |
| 14156-6-6 | 9/16-18 | 3/8 | 10 | 2.22 | 56 | 1-1/4 | 32 | 2.13 | 54 | 11/16 |
| 14156-8-6 | 3/4-16 | 3/8 | 10 | 2.22 | 56 | 1-1/4 | 32 | 2.52 | 64 | 7/8 |
| 14156-8-8 | 3/4-16 | 1/2 | 13 | 2.48 | 63 | 1-3/8 | 35 | 2.52 | 64 | 7/8 |
| 14156-10-8 | 7/8-14 | 1/2 | 13 | 2.48 | 63 | 1-3/8 | 35 | 2.76 | 70 | 1 |
| 14156-12-12 | 1-1/16-12 | 3/4 | 19 | 3.59 | 91 | 2-1/4 | 57 | 3.78 | 96 | 1-1/4 |
| 14156-16-16 | 1-5/16-12 | 1 | 25 | 4.36 | 111 | 2-1/2 | 63 | 4.49 | 114 | 1-1/2 |

Construction: Steel. Add "C" for Stainless Steel.

1L956 Female JIC 37° Swivel 90° Elbow Medium Drop

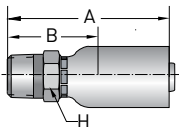


| Part Number | Thread Size | Hose I.D. | | A | | Cutoff Allow. B | | E | | J Hex |
|-------------|-------------|-----------|----|------|-----|-----------------|----|------|----|-------|
| | | inch | mm | inch | mm | inch | mm | inch | mm | inch |
| # | | | | | | | | | | |
| 1L956-4-3 | 7/16-20 | 3/16 | 5 | 1.75 | 44 | 1-1/16 | 27 | 1.26 | 32 | 9/16 |
| 1L956-4-4 | 7/16-20 | 1/4 | 6 | 2.01 | 51 | 1-1/16 | 27 | 1.26 | 32 | 9/16 |
| 1L956-5-4 | 1/2-20 | 1/4 | 6 | 2.01 | 51 | 1-1/16 | 27 | 1.26 | 32 | 5/8 |
| 1L956-6-5 | 9/16-18 | 5/16 | 8 | 2.14 | 54 | 1-1/8 | 28 | 1.50 | 38 | 11/16 |
| 1L956-6-6 | 9/16-18 | 3/8 | 10 | 2.22 | 56 | 1-1/4 | 32 | 1.50 | 38 | 11/16 |
| 1L956-8-6 | 3/4-16 | 3/8 | 10 | 2.22 | 56 | 1-1/4 | 32 | 1.61 | 41 | 7/8 |
| 1L956-8-8 | 3/4-16 | 1/2 | 13 | 2.48 | 63 | 1-3/8 | 35 | 1.61 | 41 | 7/8 |
| 1L956-10-8 | 7/8-14 | 1/2 | 13 | 2.48 | 63 | 1-3/8 | 35 | 1.85 | 47 | 1 |
| 1L956-12-12 | 1-1/16-12 | 3/4 | 19 | 3.59 | 91 | 2-1/4 | 57 | 2.28 | 58 | 1-1/4 |
| 1L956-16-16 | 1-5/16-12 | 1 | 25 | 4.36 | 111 | 2-1/2 | 63 | 2.80 | 71 | 1-1/2 |

Construction: Steel. Add "C" for Stainless Steel.

NPTF Fittings

10156 Male Taper Pipe Rigid

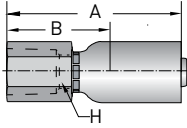


| Part Number | Thread Size | Hose I.D. | | A | | Cutoff Allow. B | | H Hex |
|-------------|-------------|-----------|----|------|----|-----------------|----|--------|
| | | inch | mm | inch | mm | inch | mm | inch |
| # | | | | | | | | |
| 10156-2-3 | 1/8-27 | 3/16 | 5 | 1.60 | 41 | 7/8 | 22 | 9/16 |
| 10156-4-3 | 1/4-18 | 3/16 | 5 | 1.82 | 46 | 1-1/8 | 28 | 9/16 |
| 10156-4-4 | 1/4-18 | 1/4 | 6 | 2.09 | 53 | 1-1/8 | 28 | 9/16 |
| 10156-4-6 | 1/4-18 | 3/8 | 10 | 2.16 | 55 | 1-3/16 | 30 | 11/16 |
| 10156-6-6 | 3/8-18 | 3/8 | 10 | 2.16 | 55 | 1-3/16 | 30 | 3/4 |
| 10156-8-8 | 1/2-14 | 1/2 | 13 | 2.55 | 65 | 1-7/16 | 37 | 7/8 |
| 10156-12-10 | 3/4-14 | 5/8 | 16 | 2.88 | 73 | 1-9/16 | 40 | 1-1/8 |
| 10156-12-12 | 3/4-14 | 3/4 | 19 | 2.97 | 75 | 1-5/8 | 41 | 1-1/16 |
| 10156-16-16 | 1-11-1/2 | 1 | 25 | 3.76 | 96 | 1-7/8 | 48 | 1-3/8 |

Construction: Steel. Add "C" for Stainless Steel.

Note: Metric hex parts are available upon request.

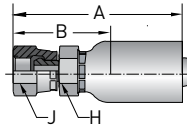
10256 Female Taper Pipe Rigid



| Part Number | Thread Size | Hose I.D. | | A | | Cutoff Allow. B | | H Hex |
|-------------|-------------|-----------|----|------|----|-----------------|----|-------|
| | | inch | mm | inch | mm | inch | mm | inch |
| # | | | | | | | | |
| 10256-4-4 | 1/4-18 | 1/4 | 6 | 1.99 | 51 | 1 | 25 | 11/16 |

Construction: Steel. Add "C" for Stainless Steel.

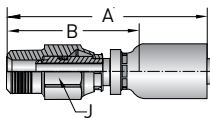
10756 Female Pipe Swivel



| Part Number | Thread Size | Hose I.D. | | A | | Cutoff Allow. B | | H Hex | J Hex |
|-------------|-------------|-----------|----|------|----|-----------------|----|--------|-------|
| | | inch | mm | inch | mm | inch | mm | inch | inch |
| # | | | | | | | | | |
| 10756-4-4 | 1/4-18 | 1/4 | 6 | 2.03 | 52 | 1-1/16 | 27 | 9/16 | 11/16 |
| 10756-4-5 | 1/4-18 | 5/16 | 8 | 2.09 | 53 | 1-1/16 | 27 | 9/16 | 11/16 |
| 10756-6-6 | 3/8-18 | 3/8 | 10 | 2.13 | 54 | 1-1/8 | 28 | 11/16 | 7/8 |
| 10756-8-8 | 1/2-14 | 1/2 | 13 | 2.40 | 61 | 1-5/16 | 33 | 7/8 | 1 |
| 10756-12-12 | 3/4-14 | 3/4 | 19 | 2.98 | 76 | 1-5/8 | 41 | 1-1/16 | 1-1/4 |
| 10756-16-16 | 1-11-1/2 | 1 | 25 | 3.74 | 95 | 1-7/8 | 48 | 1-3/8 | 1-1/2 |

Construction: Steel. Add "C" for Stainless Steel.

11356 Male Pipe Swivel



| Part Number | Thread Size | Hose I.D. | | A | | Cutoff Allow. B | | J Hex |
|-------------|-------------|-----------|----|------|-----|-----------------|----|-------|
| | | inch | mm | inch | mm | inch | mm | inch |
| # | | | | | | | | |
| 11356-2-3 | 1/8-27 | 3/16 | 5 | 2.85 | 73 | 2-1/8 | 54 | 5/8 |
| 11356-4-3 | 1/4-18 | 3/16 | 5 | 2.59 | 66 | 1-7/8 | 48 | 5/8 |
| 11356-4-4 | 1/4-18 | 1/4 | 6 | 2.95 | 75 | 2 | 50 | 5/8 |
| 11356-4-5 | 1/4-18 | 5/16 | 8 | 2.95 | 75 | 1-15/16 | 49 | 5/8 |
| 11356-6-6 | 3/8-18 | 3/8 | 10 | 3.06 | 78 | 2-1/16 | 52 | 3/4 |
| 11356-8-6 | 1/2-14 | 3/8 | 10 | 3.24 | 82 | 2-1/4 | 57 | 7/8 |
| 11356-8-8 | 1/2-14 | 1/2 | 13 | 3.37 | 86 | 2-1/4 | 57 | 7/8 |
| 11356-12-12 | 3/4-14 | 3/4 | 19 | 3.71 | 94 | 2-3/8 | 60 | 1-1/4 |
| 11356-16-16 | 1-11-1/2 | 1 | 25 | 4.64 | 118 | 2-3/4 | 70 | 1-1/2 |

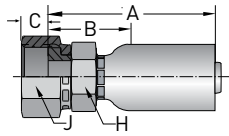
Construction: Steel. Add "C" for Stainless Steel.

NOTE: For use with petroleum based fluids.

WARNING: Fittings allow minor movement to relieve stress on hose but are not recommended for continued or extensive swiveling. Not recommended for use in CNG applications.

ORFS (Seal-Lok™) Fittings

1JC56 Female Seal-Lok™ Straight - Swivel - Short ISO 12151-1-SWSA

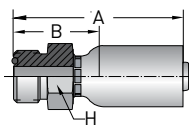


| Part Number | Thread Size | Hose I.D. | | A | | Cutoff Allow. B | | C | | H Hex | J Hex |
|-------------|-------------|-----------|----|------|----|-----------------|----|------|----|-------|-------|
| | | inch | mm | inch | mm | inch | mm | inch | mm | inch | inch |
| # | | | | | | | | | | | |
| 1JC56-4-3 | 9/16-18 | 3/16 | 5 | 1.58 | 40 | 7/8 | 22 | .32 | 8 | 9/16 | 11/16 |
| 1JC56-4-4 | 9/16-18 | 1/4 | 6 | 1.86 | 47 | 7/8 | 22 | .32 | 8 | 9/16 | 11/16 |
| 1JC56-6-4 | 11/16-16 | 1/4 | 6 | 1.90 | 48 | 15/16 | 24 | .34 | 9 | 11/16 | 13/16 |
| 1JC56-4-5 | 9/16-18 | 5/16 | 8 | 1.81 | 46 | 13/16 | 21 | .32 | 8 | 11/16 | 11/16 |
| 1JC56-6-5 | 11/16-16 | 5/16 | 8 | 1.95 | 49 | 15/16 | 24 | .34 | 9 | 11/16 | 13/16 |
| 1JC56-4-6 | 9/16-18 | 3/8 | 10 | 1.91 | 48 | 15/16 | 24 | .32 | 8 | 5/8 | 11/16 |
| 1JC56-6-6 | 11/16-16 | 3/8 | 19 | 1.89 | 48 | 7/8 | 22 | .34 | 9 | 11/16 | 13/16 |
| 1JC56-8-6 | 13/16-16 | 3/8 | 10 | 2.00 | 51 | 1 | 25 | .43 | 11 | 13/16 | 15/16 |
| 1JC56-8-8 | 13/16-16 | 1/2 | 13 | 2.13 | 54 | 1 | 25 | .43 | 11 | 13/16 | 15/16 |
| 1JC56-10-8 | 1-14 | 1/2 | 13 | 2.30 | 58 | 1-3/16 | 30 | .48 | 12 | 15/16 | 1-1/8 |
| 1JC56-10-10 | 1-14 | 5/8 | 16 | 2.48 | 63 | 1-3/16 | 30 | .48 | 12 | 15/16 | 1-1/8 |
| 1JC56-12-10 | 1-3/16-12 | 5/8 | 16 | 2.61 | 66 | 1-5/16 | 33 | .55 | 14 | 1-1/8 | 1-3/8 |
| 1JC56-10-12 | 1-14 | 3/4 | 19 | 2.50 | 64 | 1-3/16 | 30 | .48 | 12 | 1-1/8 | 1-1/8 |
| 1JC56-12-12 | 1-3/16-12 | 3/4 | 19 | 2.54 | 65 | 1-3/16 | 30 | .55 | 14 | 1-1/8 | 1-3/8 |
| 1JC56-16-16 | 1-7/16-12 | 1 | 25 | 3.21 | 82 | 1-5/16 | 33 | .56 | 14 | 1-3/8 | 1-5/8 |

Construction: Steel. Add "C" for Stainless Steel.

Note: Metric hex parts are available upon request.

1J056 Male Seal-Lok™ Rigid Straight w/O-Ring ISO 12151-1-S

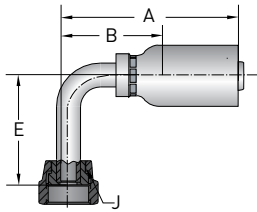


| Part Number | Thread Size | Hose I.D. | | A | | Cutoff Allow. B | | H Hex |
|-------------|-------------|-----------|----|------|----|-----------------|----|-------|
| | | inch | mm | inch | mm | inch | mm | inch |
| # | | | | | | | | |
| 1J056-4-4 | 9/16-18 | 1/4 | 6 | 1.93 | 49 | 15/16 | 24 | 5/8 |
| 1J056-6-4 | 11/16-16 | 1/4 | 6 | 2.01 | 51 | 1-1/16 | 27 | 3/4 |
| 1J056-6-6 | 11/16-16 | 3/8 | 10 | 1.98 | 50 | 1 | 25 | 3/4 |
| 1J056-8-6 | 13/16-16 | 1/2 | 13 | 2.16 | 55 | 1-3/16 | 30 | 7/8 |
| 1J056-8-8 | 13/16-16 | 1/2 | 13 | 2.18 | 55 | 1-1/16 | 27 | 7/8 |

Construction: Steel. Add "C" for Stainless Steel.

Note: Metric hex parts are available upon request.

1J156 Female Seal-Lok™ Swivel 90° Elbow Long Drop ISO 12151-1-SWEL90

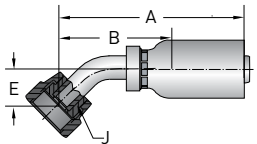


| Part Number | Thread Size | Hose I.D. | | A | | Cutoff Allow. B | | E | | J Hex |
|-------------|-------------|-----------|----|------|-----|-----------------|----|------|-----|-------|
| | | inch | mm | inch | mm | inch | mm | inch | mm | inch |
| # | | | | | | | | | | |
| 1J156-4-3 | 9/16-18 | 3/16 | 5 | 1.89 | 48 | 1-3/16 | 30 | 1.81 | 46 | 11/16 |
| 1J156-4-4 | 9/16-18 | 1/4 | 6 | 2.09 | 53 | 1-1/8 | 28 | 1.81 | 46 | 11/16 |
| 1J156-6-4 | 11/16-16 | 1/4 | 6 | 2.09 | 53 | 1-1/8 | 28 | 2.13 | 54 | 13/16 |
| 1J156-6-6 | 11/16-16 | 3/8 | 10 | 2.22 | 56 | 1-1/4 | 32 | 2.13 | 54 | 13/16 |
| 1J156-8-6 | 13/16-16 | 3/8 | 10 | 2.22 | 56 | 1-1/4 | 32 | 2.52 | 64 | 15/16 |
| 1J156-8-8 | 13/16-16 | 1/2 | 13 | 2.48 | 63 | 1-3/8 | 35 | 2.52 | 64 | 15/16 |
| 1J156-12-12 | 1-3/16-12 | 3/4 | 19 | 3.59 | 91 | 2-1/4 | 57 | 3.78 | 96 | 1-3/8 |
| 1J156-16-16 | 1-7/16-12 | 1 | 25 | 4.36 | 111 | 2-1/2 | 63 | 4.49 | 114 | 1-5/8 |

Construction: Steel. Add "C" for Stainless Steel.

Note: Metric hex parts are available upon request.

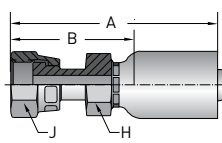
1J256 Female Seal-Lok™ Swivel 30° Elbow



| Part Number | Thread Size | Hose I.D. | | A | | Cutoff Allow. B | | E | | J Hex |
|-------------|-------------|-----------|----|------|----|-----------------|----|------|----|-------|
| | | inch | mm | inch | mm | inch | mm | inch | mm | inch |
| # | | | | | | | | | | |
| 1J256-8-8 | 13/16-16 | 1/2 | 13 | 2.84 | 72 | 1-11/16 | 43 | .43 | 11 | 15/16 |

Construction: Steel. Add "C" for Stainless Steel.

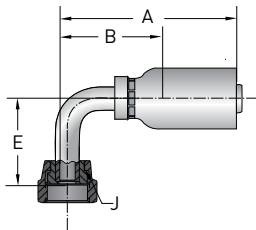
1JS56 Female Seal-Lok™ Straight ISO 12151-1-SWSB



| Part Number | Thread Size | Hose I.D. | | A | | Cutoff Allow. B | | H Hex | | J Hex | |
|-------------|-------------|-----------|----|------|----|-----------------|----|-------|----|-------|----|
| | | inch | mm | inch | mm | inch | mm | inch | mm | inch | mm |
| # | | | | | | | | | | | |
| 1JS56-4-3 | 9/16-18 | 3/16 | 5 | 1.89 | 48 | 1-3/16 | 30 | 9/16 | | 11/16 | |
| 1JS56-4-4 | 9/16-18 | 1/4 | 6 | 2.17 | 51 | 1-3/16 | 30 | 9/16 | | 11/16 | |
| 1JS56-6-4 | 11/16-16 | 1/4 | 6 | 2.24 | 57 | 1-1/4 | 32 | 11/16 | | 13/16 | |
| 1JS56-6-5 | 11/16-16 | 5/16 | 8 | 2.29 | 58 | 1-1/4 | 32 | 11/16 | | 13/16 | |
| 1JS56-6-6 | 11/16-16 | 3/8 | 10 | 2.28 | 58 | 1-5/16 | 33 | 11/16 | | 13/16 | |
| 1JS56-8-6 | 13/16-16 | 3/8 | 10 | 2.40 | 61 | 1-7/16 | 36 | 13/16 | | 15/16 | |
| 1JS56-6-8 | 11/16-16 | 1/2 | 13 | 2.40 | 61 | 1-5/16 | 33 | 3/4 | | 13/16 | |
| 1JS56-8-8 | 13/16-16 | 1/2 | 13 | 2.52 | 64 | 1-3/8 | 35 | 13/16 | | 15/16 | |
| 1JS56-10-8 | 1-14 | 1/2 | 13 | 2.68 | 68 | 1-9/16 | 40 | 15/16 | | 1-1/8 | |
| 1JS56-10-10 | 1-14 | 5/8 | 16 | 2.92 | 74 | 1-5/8 | 41 | 15/16 | | 1-1/8 | |
| 1JS56-12-12 | 1-3/16-12 | 3/4 | 19 | 3.17 | 81 | 1-13/16 | 46 | 1-1/8 | | 1-3/8 | |
| 1JS56-16-16 | 1-7/16-12 | 1 | 25 | 3.76 | 96 | 1-7/8 | 48 | 1-3/8 | | 1-5/8 | |

Construction: Steel. Add "C" for Stainless Steel.
Note: Metric hex parts are available upon request.

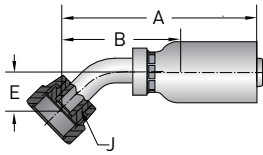
1J556 Female Seal-Lok™ Swivel 90° Elbow Medium Drop ISO 12151-1-SWEM90



| Part Number | Thread Size | Hose I.D. | | A | | Cutoff Allow. B | | E | | J Hex | |
|-------------|-------------|-----------|----|------|-----|-----------------|----|------|----|-------|----|
| | | inch | mm | inch | mm | inch | mm | inch | mm | inch | mm |
| # | | | | | | | | | | | |
| 1J556-4-3 | 9/16-18 | 3/16 | 5 | 1.89 | 48 | 1-3/16 | 30 | 1.26 | 32 | 11/16 | |
| 1J556-4-4 | 9/16-18 | 1/4 | 6 | 2.14 | 53 | 1-1/8 | 28 | 1.26 | 32 | 11/16 | |
| 1J556-6-4 | 11/16-16 | 1/4 | 6 | 2.14 | 55 | 1-3/16 | 30 | 1.50 | 38 | 13/16 | |
| 1J556-6-5 | 11/16-16 | 5/16 | 8 | 2.28 | 58 | 1-1/4 | 32 | 1.50 | 38 | 13/16 | |
| 1J556-6-6 | 11/16-16 | 3/8 | 10 | 2.22 | 56 | 1-1/4 | 32 | 1.50 | 38 | 13/16 | |
| 1J556-8-6 | 13/16-16 | 3/8 | 10 | 2.22 | 56 | 1-1/4 | 32 | 1.61 | 41 | 15/16 | |
| 1J556-8-8 | 13/16-16 | 1/2 | 13 | 2.48 | 63 | 1-3/8 | 35 | 1.61 | 41 | 15/16 | |
| 1J556-10-8 | 1-14 | 1/2 | 13 | 2.48 | 63 | 1-3/8 | 35 | 1.85 | 47 | 1-1/8 | |
| 1J556-10-10 | 1-14 | 5/8 | 16 | 2.83 | 72 | 1-1/2 | 38 | 1.85 | 47 | 1-1/8 | |
| 1J556-12-12 | 1-3/16-12 | 3/4 | 19 | 3.59 | 91 | 2-1/4 | 57 | 2.28 | 58 | 1-3/8 | |
| 1J556-16-16 | 1-7/16-12 | 1 | 25 | 4.36 | 111 | 2-1/2 | 63 | 2.80 | 71 | 1-5/8 | |

Construction: Steel. Add "C" for Stainless Steel.
Note: Metric hex parts are available upon request.

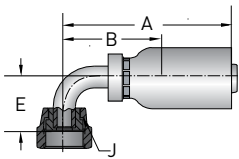
1J756 Female Seal-Lok™ Swivel 45° Elbow ISO 12151-1-SWE45



| Part Number | Thread Size | Hose I.D. | | A | | Cutoff Allow. B | | E | | J Hex |
|-------------|-------------|-----------|----|------|-----|-----------------|----|------|----|-------|
| | | inch | mm | inch | mm | inch | mm | inch | mm | inch |
| # | | | | | | | | | | |
| 1J756-4-3 | 9/16-18 | 3/16 | 5 | 2.00 | 51 | 1-5/16 | 33 | .39 | 10 | 11/16 |
| 1J756-4-4 | 9/16-18 | 1/4 | 6 | 2.25 | 57 | 1-1/4 | 32 | .39 | 10 | 11/16 |
| 1J756-6-4 | 11/16-16 | 1/4 | 6 | 2.27 | 58 | 1-5/16 | 33 | .43 | 11 | 13/16 |
| 1J756-6-5 | 11/16-16 | 5/16 | 8 | 2.32 | 59 | 1-3/8 | 35 | .43 | 11 | 13/16 |
| 1J756-4-6 | 9/16-18 | 3/8 | 10 | 2.25 | 57 | 1-1/4 | 32 | .39 | 10 | 11/16 |
| 1J756-6-6 | 11/16-16 | 3/8 | 10 | 2.35 | 60 | 1-3/8 | 35 | .43 | 11 | 13/16 |
| 1J756-8-6 | 13/16-16 | 3/8 | 10 | 2.54 | 65 | 1-9/16 | 40 | .59 | 15 | 15/16 |
| 1J756-8-8 | 13/16-16 | 1/2 | 13 | 2.72 | 69 | 1-5/8 | 41 | .59 | 15 | 15/16 |
| 1J756-10-10 | 1-14 | 5/8 | 16 | 3.03 | 77 | 1-11/16 | 43 | .63 | 16 | 1-1/8 |
| 1J756-12-12 | 1-3/16-12 | 3/4 | 19 | 3.72 | 95 | 2-3/8 | 60 | .83 | 21 | 1-3/8 |
| 1J756-16-16 | 1-7/16-12 | 1 | 25 | 4.43 | 113 | 2-9/16 | 65 | .94 | 24 | 1-5/8 |

Construction: Steel. Add "C" for Stainless Steel.
Note: Metric hex parts are available upon request.

1J956 Female Seal-Lok™ Swivel 90° Elbow Short Drop ISO 12151-1-SWES90

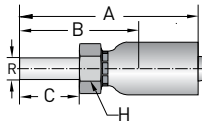


| Part Number | Thread Size | Hose I.D. | | A | | Cutoff Allow. B | | E | | J Hex |
|-------------|-------------|-----------|----|------|-----|-----------------|----|------|----|-------|
| | | inch | mm | inch | mm | inch | mm | inch | mm | inch |
| # | | | | | | | | | | |
| 1J956-4-3 | 9/16-18 | 3/16 | 5 | 1.89 | 48 | 1-3/16 | 30 | .83 | 21 | 11/16 |
| 1J956-4-4 | 9/16-18 | 1/4 | 6 | 2.14 | 53 | 1-1/8 | 28 | .83 | 21 | 11/16 |
| 1J956-6-4 | 11/16-16 | 1/4 | 6 | 2.14 | 55 | 1-3/16 | 30 | .91 | 23 | 13/16 |
| 1J956-6-5 | 11/16-16 | 5/16 | 8 | 2.28 | 58 | 1-1/4 | 32 | .91 | 23 | 13/16 |
| 1J956-6-6 | 11/16-16 | 3/8 | 10 | 2.22 | 56 | 1-1/4 | 32 | .91 | 23 | 13/16 |
| 1J956-8-6 | 13/16-16 | 3/8 | 10 | 2.22 | 56 | 1-1/4 | 32 | 1.14 | 29 | 15/16 |
| 1J956-8-8 | 13/16-16 | 1/2 | 13 | 2.48 | 63 | 1-3/8 | 35 | 1.14 | 29 | 15/16 |
| 1J956-10-8 | 1-14 | 1/2 | 13 | 2.48 | 63 | 1-3/8 | 35 | 1.26 | 32 | 1-1/8 |
| 1J956-10-10 | 1-14 | 5/8 | 16 | 2.83 | 72 | 1-1/2 | 38 | 1.26 | 32 | 1-1/8 |
| 1J956-12-12 | 1-3/16-12 | 3/4 | 19 | 3.59 | 91 | 2-1/4 | 57 | 1.89 | 48 | 1-3/8 |
| 1J956-16-16 | 1-7/16-12 | 1 | 25 | 4.36 | 111 | 2-1/2 | 63 | 2.20 | 56 | 1-5/8 |

Construction: Steel. Add "C" for Stainless Steel.
Note: Metric hex parts are available upon request.

Specialty Fittings

1TU56 Universal Inch Tube Stub End

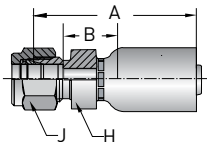


| Part Number | Diameter R | Hose I.D. | | A | | Cutoff Allow. B | | C | | H Hex |
|-------------|------------|-----------|----|------|-----|-----------------|----|------|----|-------|
| | | inch | mm | inch | mm | inch | mm | inch | mm | inch |
| # | | | | | | | | | | |
| 1TU56-4-4 | 1/4 | 1/4 | 6 | 2.35 | 60 | 1-3/8 | 35 | .72 | 18 | 5/8 |
| 1TU56-6-4 | 3/8 | 1/4 | 6 | 2.41 | 61 | 1-7/16 | 36 | .78 | 20 | 11/16 |
| 1TU56-6-6 | 3/8 | 3/8 | 10 | 2.46 | 62 | 1-7/16 | 36 | .78 | 20 | 3/4 |
| 1TU56-8-8 | 1/2 | 1/2 | 13 | 2.68 | 68 | 1-9/16 | 40 | 1.03 | 26 | 3/4 |
| 1TU56-12-12 | 3/4 | 3/4 | 19 | 2.88 | 73 | 1-9/16 | 40 | 1.03 | 26 | 1 |
| 1TU56-16-16 | 1 | 1 | 25 | 4.03 | 102 | 1-7/8 | 48 | 1.03 | 26 | 1-1/4 |

Construction: Steel. Add "C" for Stainless Steel.

NOTE: Use with A-Lok & CPI nuts, sleeves and adapters. These components are manufactured by Parker's Instrumentation Connectors Division. Refer to catalogs 4230 & 4233 for additional information.

1AL56 A-LOK® Compression (With Nut and Ferrule)



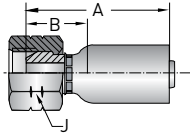
| Part Number | Thread Size | Tube O.D. | | Hose I.D. | | A | | Cutoff Allow. B | | H Hex | J Hex |
|-------------|-------------|-----------|----|-----------|----|------|----|-----------------|----|-------|-------|
| | | inch | mm | inch | mm | inch | mm | inch | mm | inch | inch |
| # | | | | | | | | | | | |
| 1AL56-4-4 | 7/16-20 | 1/4 | 6 | 1/4 | 6 | 1.91 | 49 | 5/8 | 16 | 9/16 | 9/16 |
| 1AL56-6-6 | 9/16-20 | 3/8 | 10 | 3/8 | 10 | 2.09 | 53 | 11/16 | 17 | 11/16 | 11/16 |
| 1AL56-8-8 | 3/4-20 | 1/2 | 13 | 3/8 | 10 | 2.21 | 56 | 5/8 | 16 | 7/8 | 7/8 |

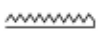


Construction: 316 Stainless nipple and shell.

NOTE: Nut part No. is **XNUX** or **XNUX-316** for stainless steel.
 Front ferrule part No. is **XFFX** or **XFFX-316** for stainless steel.
 Back ferrule part No. is **XBFX** or **XBFX-316** for stainless steel.
X denotes dash size.

BSP Fittings

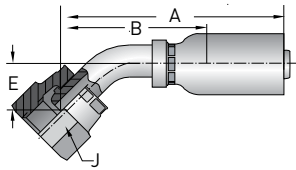
19256 Female BSP Parallel Pipe Swivel Straight (60° Cone)



| Part Number | Thread Size | Hose I.D. | | A | | Cutoff Allow. B | | J Hex |
|-------------|---|---|------|----|------|-----------------|------|---|
| | | mm | inch | mm | inch | mm | inch | mm |
| # |  |  | | | | | |  |
| 19256-4-3 | G 1/4 | 5 | 3/16 | 35 | 1.38 | 17 | 0.67 | 19 |
| 19256-2-4 | G 1/8 | 6 | 1/4 | 43 | 1.69 | 18 | 0.71 | 14 |
| 19256-4-4 | G 1/4 | 6 | 1/4 | 42 | 1.65 | 17 | 0.67 | 19 |
| 19256-6-4 | G 3/8 | 6 | 1/4 | 45 | 1.77 | 20 | 0.79 | 22 |
| 19256-4-5 | G 1/4 | 8 | 5/16 | 47 | 1.85 | 21 | 0.83 | 19 |
| 19256-6-5 | G 3/8 | 8 | 5/16 | 46 | 1.81 | 20 | 0.79 | 22 |
| 19256-6-6 | G 3/8 | 10 | 3/8 | 46 | 1.81 | 21 | 0.83 | 22 |
| 19256-8-6 | G 1/2 | 10 | 3/8 | 48 | 1.77 | 23 | 0.91 | 27 |
| 19256-6-8 | G 3/8 | 13 | 1/2 | 53 | 2.09 | 25 | 0.98 | 22 |
| 19256-8-8 | G 1/2 | 13 | 1/2 | 51 | 2.01 | 23 | 0.91 | 27 |
| 19256-10-8 | G 5/8 | 13 | 1/2 | 49 | 1.93 | 22 | 0.87 | 30 |
| 19256-12-12 | G 3/4 | 19 | 3/4 | 60 | 2.36 | 26 | 1.02 | 32 |
| 19256-16-16 | G 1 | 25 | 1 | 74 | 2.91 | 26 | 1.02 | 41 |

Construction: Steel. Add "C" for Stainless Steel.

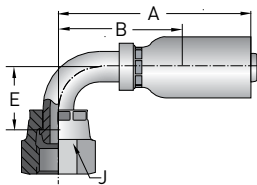
1B156 – Female BSP Parallel Pipe Swivel 45° Elbow (60° Cone) ISO 228-1



| Part Number | Thread Size | Hose I.D. | | A | | E | | Cutoff Allow. B | | J Hex |
|-------------|-------------|-----------|------|-----|------|----|------|-----------------|-------|-------|
| | | mm | inch | mm | inch | mm | inch | mm | inch | |
| # | | | | | | | | | | |
| 1B156-4-3 | G 1/4 | 5 | 3/16 | 57 | 2.24 | 15 | 0.59 | 39 | 1.542 | 19 |
| 1B156-4-4 | G 1/4 | 6 | 1/4 | 62 | 2.44 | 15 | 0.59 | 38 | 1.50 | 19 |
| 1B156-6-5 | G 3/8 | 8 | 5/16 | 65 | 2.56 | 17 | 0.67 | 39 | 1.54 | 22 |
| 1B156-6-6 | G 3/8 | 10 | 3/8 | 67 | 2.64 | 17 | 0.67 | 42 | 1.65 | 22 |
| 1B156-8-8 | G 1/2 | 13 | 1/2 | 77 | 3.03 | 20 | 0.79 | 48 | 1.89 | 27 |
| 1B156-12-12 | G 3/4 | 19 | 3/4 | 99 | 3.90 | 25 | 1.00 | 65 | 2.56 | 32 |
| 1B156-16-16 | G 1 | 25 | 1 | 127 | 5.00 | 31 | 1.22 | 79 | 3.11 | 41 |

Construction: Steel. Add "C" for Stainless Steel.

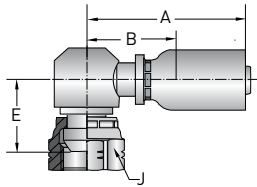
1B256 – Female BSP Parallel Pipe Swivel 90° Elbow (60° Cone) ISO 228-1



| Part Number | Thread Size | Hose I.D. | | A | | E | | Cutoff Allow. B | | J Hex |
|-------------|-------------|-----------|------|-----|------|----|------|-----------------|------|-------|
| | | mm | inch | mm | inch | mm | inch | mm | inch | |
| # | | | | | | | | | | |
| 1B256-4-3 | G 1/4 | 5 | 3/16 | 48 | 1.89 | 28 | 1.10 | 30 | 1.18 | 19 |
| 1B256-4-4 | G 1/4 | 6 | 1/4 | 53 | 2.09 | 28 | 1.10 | 29 | 1.14 | 19 |
| 1B256-4-5 | G 1/4 | 8 | 5/16 | 56 | 2.20 | 34 | 1.34 | 30 | 1.18 | 19 |
| 1B256-6-5 | G 3/8 | 8 | 5/16 | 55 | 2.16 | 30 | 1.18 | 30 | 1.18 | 22 |
| 1B256-6-6 | G 3/8 | 10 | 3/8 | 60 | 2.36 | 33 | 1.30 | 31 | 1.22 | 22 |
| 1B256-8-8 | G 1/2 | 13 | 1/2 | 70 | 2.76 | 40 | 1.57 | 42 | 1.65 | 27 |
| 1B256-12-12 | G 3/4 | 19 | 3/4 | 92 | 3.62 | 52 | 2.05 | 58 | 2.28 | 32 |
| 1B256-16-16 | G 1 | 25 | 1 | 125 | 4.92 | 68 | 2.68 | 77 | 3.03 | 41 |

Construction: Steel. Add "C" for Stainless Steel.

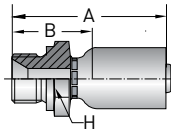
1B456 – Female BSP Swivel 90° Elbow Block Type (60° Cone) ISO 228-1



| Part Number | Thread Size | Hose I.D. | | A | | Cutoff Allow. B | | E | | J Hex |
|-------------|-------------|-----------|------|----|------|-----------------|------|----|------|-------|
| | | mm | inch | mm | inch | mm | inch | mm | inch | mm |
| # | | | | | | | | | | |
| 1B456-4-4 | G 1/4 | 6 | 1/4 | 47 | 1.85 | 22 | 0.87 | 22 | 0.87 | 19 |
| 1B456-6-6 | G 3/8 | 10 | 3/8 | 52 | 2.05 | 27 | 1.06 | 25 | 0.98 | 22 |
| 1B456-8-8 | G 1/2 | 13 | 1/2 | 58 | 2.28 | 29 | 1.14 | 29 | 1.14 | 27 |

Construction: Steel.

1D956 Male BSPP - Straight (60° Cone) ISO 228-1

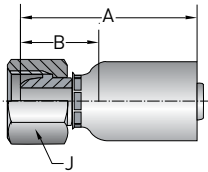


| Part Number | Thread Size | Hose I.D. | | A | | Cutoff Allow. B | | H Hex |
|-------------|-------------|-----------|------|----|------|-----------------|------|-------|
| | | mm | inch | mm | inch | mm | inch | mm |
| # | | | | | | | | |
| 1D956-4-3 | G 1/4 | 5 | 3/16 | 44 | 1.73 | 27 | 1.06 | 19 |
| 1D956-4-4 | G 1/4 | 6 | 1/4 | 52 | 2.05 | 27 | 1.06 | 19 |
| 1D956-6-5 | G 3/8 | 8 | 5/16 | 53 | 2.09 | 27 | 1.06 | 22 |
| 1D956-6-6 | G 3/8 | 10 | 3/8 | 53 | 2.09 | 28 | 1.10 | 22 |
| 1D956-8-8 | G 1/2 | 13 | 1/2 | 60 | 2.36 | 32 | 1.26 | 27 |
| 1D956-12-12 | G 3/4 | 19 | 3/4 | 75 | 2.95 | 41 | 1.61 | 32 |
| 1D956-16-16 | G 1 | 25 | 1 | 91 | 3.58 | 42 | 1.65 | 41 |

Construction: Steel. Add "C" for Stainless Steel.

Metric Fittings

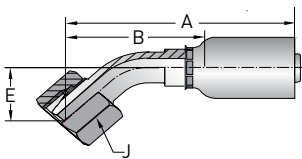
1C356 – Metric Female Swivel Nut Light Series, 24°/60°



| Part Number | Thread Size | Hose I.D. | | A | | Cutoff Allow. B | | J Hex | |
|-------------|-------------|-----------|------|----|------|-----------------|------|-------|------|
| | | mm | inch | mm | inch | mm | inch | mm | inch |
| # | | | | | | | | | |
| 1C356-6-3 | M12x1.5 | 5 | 3/16 | 37 | 1.46 | 20 | 0.79 | 14 | |
| 1C356-8-4 | M14x1.5 | 6 | 1/4 | 44 | 1.73 | 20 | 0.79 | 17 | |
| 1C356-10-4 | M16x1.5 | 6 | 1/4 | 45 | 1.77 | 21 | 0.83 | 19 | |
| 1C356-10-5 | M16x1.5 | 8 | 5/16 | 46 | 1.81 | 20 | 0.79 | 19 | |
| 1C356-12-5 | M18x1.5 | 8 | 5/16 | 47 | 1.85 | 21 | 0.83 | 22 | |
| 1C356-10-6 | M16x1.5 | 10 | 3/8 | 46 | 1.81 | 21 | 0.83 | 19 | |
| 1C356-12-6 | M18x1.5 | 10 | 3/8 | 47 | 1.85 | 21 | 0.83 | 22 | |
| 1C356-15-6 | M22x1.5 | 10 | 3/8 | 46 | 1.81 | 21 | 0.83 | 27 | |
| 1C356-15-8 | M22x1.5 | 13 | 1/2 | 50 | 1.97 | 21 | 0.83 | 27 | |
| 1C356-18-10 | M26x1.5 | 16 | 5/8 | 57 | 2.24 | 25 | 0.98 | 32 | |
| 1C356-18-12 | M26x1.5 | 19 | 3/4 | 58 | 2.28 | 24 | 0.94 | 32 | |
| 1C356-22-12 | M30x2 | 19 | 3/4 | 60 | 2.36 | 27 | 1.06 | 36 | |

Construction: Steel. Add "C" for Stainless Steel.

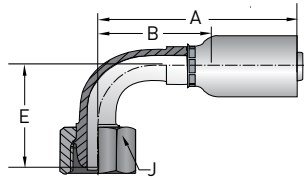
1C456 – Metric Female Swivel Swivel 45° Elbow Light Series, 24°/60°



| Part Number | Thread Size | Hose I.D. | | A | | Cutoff Allow. B | | E | | J Hex |
|-------------|-------------|-----------|------|----|------|-----------------|------|----|------|-------|
| | | mm | inch | mm | inch | mm | inch | mm | inch | mm |
| # | | | | | | | | | | |
| 1C456-6-3 | M12x1.5 | 5 | 3/16 | 57 | 2.24 | 40 | 1.57 | 16 | 0.63 | 14 |
| 1C456-8-4 | M14x1.5 | 6 | 1/4 | 60 | 2.36 | 36 | 1.42 | 14 | 0.55 | 17 |
| 1C456-10-5 | M16x1.5 | 8 | 5/16 | 62 | 2.44 | 37 | 1.46 | 15 | 0.59 | 19 |
| 1C456-10-6 | M16x1.5 | 10 | 3/8 | 67 | 2.64 | 41 | 1.61 | 17 | 0.67 | 19 |
| 1C456-12-6 | M18x1.5 | 10 | 3/8 | 72 | 2.83 | 47 | 1.85 | 18 | 0.71 | 22 |
| 1C456-15-8 | M22x1.5 | 13 | 1/2 | 76 | 2.99 | 48 | 1.89 | 19 | 0.75 | 27 |

Construction: Steel. Add "C" for Stainless Steel.

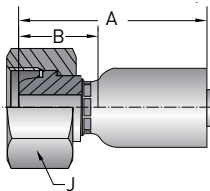
1C556 – Metric Female Swivel Swivel 95° Elbow Light Series, 24°/60°



| Part Number | Thread Size | Hose I.D. | | A | | Cutoff Allow. B | | E | | J Hex |
|-------------|-------------|-----------|------|----|------|-----------------|------|----|------|-------|
| | | mm | inch | mm | inch | mm | inch | mm | inch | mm |
| # | | | | | | | | | | |
| 1C556-6-3 | M12x1.5 | 5 | 3/16 | 48 | 1.89 | 30 | 1.18 | 30 | 1.18 | 14 |
| 1C556-8-4 | M14x1.5 | 6 | 1/4 | 53 | 2.09 | 28 | 1.10 | 26 | 1.02 | 17 |
| 1C556-10-4 | M16x1.5 | 6 | 1/4 | 53 | 2.09 | 28 | 1.10 | 27 | 1.06 | 19 |
| 1C556-12-5 | M18x1.5 | 8 | 5/16 | 58 | 2.28 | 33 | 1.30 | 34 | 1.34 | 22 |
| 1C556-10-6 | M16x1.5 | 10 | 3/8 | 63 | 2.48 | 38 | 1.50 | 33 | 1.30 | 19 |
| 1C556-12-6 | M18x1.5 | 10 | 3/8 | 63 | 2.48 | 38 | 1.50 | 34 | 1.34 | 22 |
| 1C556-15-8 | M22x1.5 | 13 | 1/2 | 72 | 2.83 | 44 | 1.73 | 39 | 1.54 | 27 |
| 1C556-18-12 | M26x1.5 | 19 | 3/4 | 87 | 3.43 | 53 | 2.09 | 52 | 2.05 | 32 |

Construction: Steel. Add "C" for Stainless Steel.

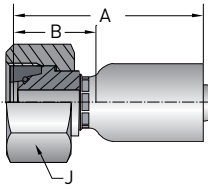
1C656 Female Metric Swivel DIN 20078 Heavy Series (Without O-Ring) ISO 8434-1



| Part Number | Thread Size | Hose I.D. | | A | | Cutoff Allow. B | | J Hex |
|-------------|-------------|-----------|------|----|------|-----------------|------|-------|
| | | mm | inch | mm | inch | mm | inch | mm |
| # | | | | | | | | |
| 1C656-8-3 | M16x1.5 | 5 | 3/16 | 38 | 1.50 | 20 | 0.79 | 19 |
| 1C656-10-4 | M18x1.5 | 6 | 1/4 | 47 | 1.85 | 22 | 0.87 | 22 |
| 1C656-12-5 | M20x1.5 | 8 | 5/16 | 50 | 1.97 | 24 | 0.94 | 24 |
| 1C656-12-6 | M20x1.5 | 10 | 3/8 | 49 | 1.93 | 24 | 0.94 | 24 |
| 1C656-14-6 | M22x1.5 | 10 | 3/8 | 49 | 1.93 | 23 | 0.89 | 27 |
| 1C656-16-8 | M24x1.5 | 13 | 1/2 | 53 | 2.09 | 25 | 0.98 | 30 |
| 1C656-20-12 | M30x2 | 19 | 3/4 | 61 | 2.40 | 27 | 1.06 | 36 |

Construction: Steel. Add "C" for Stainless Steel.

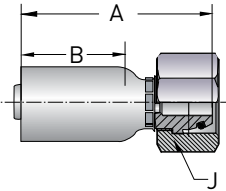
1C956 Female Metric Swivel DIN 20078 Heavy Series, (With O-Ring) ISO 12151-2-SWS



| Part Number | Thread Size | Hose I.D. | | A | | Cutoff Allow. B | | J Hex |
|-------------|-------------|-----------|------|----|------|-----------------|------|-------|
| | | mm | inch | mm | inch | mm | inch | |
| # | | | | | | | | |
| 1C956-8-3 | M16x1.5 | 5 | 3/16 | 41 | 1.61 | 23 | 0.91 | 19 |
| 1C956-8-4 | M16x1.5 | 6 | 1/4 | 48 | 1.89 | 23 | 0.91 | 19 |
| 1C956-10-4 | M18x1.5 | 6 | 1/4 | 48 | 1.89 | 23 | 0.91 | 22 |
| 1C956-12-4 | M20x1.5 | 6 | 1/4 | 48 | 1.89 | 24 | 0.94 | 24 |
| 1C956-10-5 | M18x1.5 | 8 | 5/16 | 49 | 1.93 | 23 | 0.91 | 22 |
| 1C956-12-5 | M20x1.5 | 8 | 5/16 | 50 | 1.97 | 24 | 0.94 | 24 |
| 1C956-12-6 | M20x1.5 | 10 | 3/8 | 49 | 1.93 | 24 | 0.94 | 24 |
| 1C956-14-6 | M22x1.5 | 10 | 3/8 | 49 | 1.93 | 24 | 0.94 | 27 |
| 1C956-16-8 | M24x1.5 | 13 | 1/2 | 56 | 2.17 | 27 | 1.06 | 30 |
| 1C956-20-12 | M30x2 | 19 | 3/4 | 65 | 2.56 | 31 | 1.22 | 36 |
| 1C956-25-12 | M36x2 | 19 | 3/4 | 66 | 2.60 | 32 | 1.30 | 46 |

Construction: Steel. Add "C" for Stainless Steel.

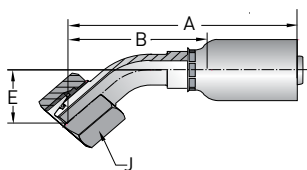
1CA56 – Metric Female Swivel 24° With O-Ring Light Series, ISO 12151-2



| Part Number | Thread Size | Hose I.D. | | A | | Cutoff Allow. B | | J Hex |
|-------------|-------------|-----------|------|----|------|-----------------|------|-------|
| | | mm | inch | mm | inch | mm | inch | |
| # | | | | | | | | |
| 1CA56-6-3 | M12x1.5 | 5 | 3/16 | 40 | 1.57 | 22 | 0.87 | 14 |
| 1CA56-6-4 | M12x1.5 | 6 | 1/4 | 48 | 1.89 | 24 | 0.94 | 14 |
| 1CA56-8-4 | M14x1.5 | 6 | 1/4 | 47 | 1.85 | 23 | 0.91 | 17 |
| 1CA56-10-4 | M16x1.5 | 6 | 1/4 | 47 | 1.85 | 22 | 0.87 | 19 |
| 1CA56-12-4 | M18x1.5 | 6 | 1/4 | 47 | 1.85 | 22 | 0.87 | 22 |
| 1CA56-10-5 | M16x1.5 | 8 | 5/16 | 48 | 1.89 | 22 | 0.87 | 19 |
| 1CA56-12-5 | M18x1.5 | 8 | 5/16 | 48 | 1.89 | 22 | 0.87 | 22 |
| 1CA56-10-6 | M16x1.5 | 10 | 3/8 | 48 | 1.89 | 22 | 0.87 | 19 |
| 1CA56-12-6 | M18x1.5 | 10 | 3/8 | 48 | 1.89 | 22 | 0.87 | 22 |
| 1CA56-15-6 | M22x1.5 | 10 | 3/8 | 50 | 1.97 | 25 | 0.98 | 27 |
| 1CA56-12-8 | M18x1.5 | 13 | 1/2 | 53 | 2.09 | 27 | 1.06 | 22 |
| 1CA56-15-8 | M22x1.5 | 13 | 1/2 | 53 | 2.09 | 25 | 0.98 | 27 |
| 1CA56-18-8 | M26x1.5 | 13 | 1/2 | 53 | 2.09 | 25 | 0.98 | 32 |
| 1CA56-18-10 | M26x1.5 | 16 | 5/8 | 60 | 2.36 | 26 | 1.02 | 32 |
| 1CA56-18-12 | M26x1.5 | 19 | 3/4 | 60 | 2.36 | 26 | 1.02 | 32 |
| 1CA56-22-12 | M30x2 | 19 | 3/4 | 62 | 2.44 | 28 | 1.10 | 36 |
| 1CA56-28-16 | M36x2 | 25 | 1 | 77 | 3.03 | 28 | 1.10 | 41 |

Construction: Steel. Add "C" for Stainless Steel.

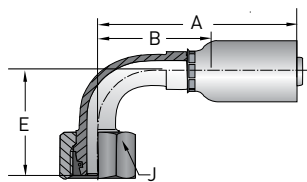
1CE56 – Metric Female Swivel 24° With O-Ring 45° Elbow Light Series, ISO 12151-2



| Part Number | Thread Size | Hose I.D. | | A | | Cutoff Allow. B | | E | | J Hex |
|-------------|-------------|-----------|------|-----|------|-----------------|------|----|------|-------|
| | | mm | inch | mm | inch | mm | inch | mm | inch | mm |
| # | | | | | | | | | | |
| 1CE56-6-3 | M12x1.5 | 5 | 3/16 | 58 | 2.28 | 40 | 1.57 | 17 | 0.67 | 14 |
| 1CE56-8-4 | M14x1.5 | 6 | 1/4 | 65 | 2.56 | 40 | 1.57 | 18 | 0.71 | 17 |
| 1CE56-10-4 | M16x1.5 | 6 | 1/4 | 62 | 2.44 | 38 | 1.50 | 16 | 0.63 | 19 |
| 1CE56-10-5 | M16x1.5 | 8 | 5/16 | 72 | 2.83 | 46 | 1.81 | 18 | 0.71 | 19 |
| 1CE56-10-6 | M16x1.5 | 10 | 3/8 | 75 | 2.95 | 50 | 1.97 | 19 | 0.75 | 19 |
| 1CE56-12-6 | M18x1.5 | 10 | 3/8 | 73 | 2.87 | 48 | 1.89 | 19 | 0.75 | 22 |
| 1CE56-15-8 | M22x1.5 | 13 | 1/2 | 78 | 3.07 | 50 | 1.97 | 22 | 0.87 | 27 |
| 1CE56-18-10 | M26x1.5 | 16 | 5/8 | 89 | 3.50 | 56 | 2.20 | 24 | 0.94 | 32 |
| 1CE56-18-12 | M26x1.5 | 19 | 3/4 | 101 | 3.74 | 67 | 2.64 | 27 | 1.06 | 32 |
| 1CE56-22-12 | M30x2 | 19 | 3/4 | 100 | 3.94 | 66 | 2.60 | 26 | 1.02 | 36 |
| 1CE56-28-16 | M36x2 | 25 | 1 | 133 | 5.27 | 85 | 3.35 | 33 | 1.30 | 41 |

Construction: Steel. Add "C" for Stainless Steel.

1CF56 – Metric Female Swivel 24° With O-Ring 90° Elbow Light Series, ISO 12151-2

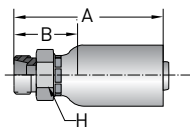


| Part Number | Thread Size | Hose I.D. | | A | | Cutoff Allow. B | | E | | J Hex |
|-------------|-------------|-----------|------|-----|------|-----------------|------|----|------|-------|
| | | mm | inch | mm | inch | mm | inch | mm | inch | mm |
| # | | | | | | | | | | |
| 1CF56-6-3 | M12x1.5 | 5 | 3/16 | 48 | 1.89 | 30 | 1.18 | 30 | 1.18 | 14 |
| 1CF56-6-4 | M12x1.5 | 6 | 1/6 | 53 | 2.09 | 29 | 1.14 | 33 | 1.30 | 14 |
| 1CF56-8-4 | M14x1.5 | 6 | 1/6 | 55 | 2.17 | 30 | 1.18 | 29 | 1.14 | 17 |
| 1CF56-10-4 | M16x1.5 | 6 | 1/6 | 55 | 2.17 | 31 | 1.22 | 29 | 1.14 | 17 |
| 1CF56-10-5 | M16x1.5 | 8 | 5/16 | 66 | 2.60 | 40 | 1.57 | 29 | 1.14 | 19 |
| 1CF56-12-5 | M18x1.5 | 8 | 5/16 | 65 | 2.56 | 40 | 1.57 | 30 | 1.18 | 22 |
| 1CF56-10-6 | M16x1.5 | 10 | 3/8 | 64 | 2.52 | 39 | 1.54 | 37 | 1.46 | 19 |
| 1CF56-12-6 | M18x1.5 | 10 | 3/8 | 63 | 2.48 | 38 | 1.50 | 35 | 1.38 | 22 |
| 1CF56-15-8 | M22x1.5 | 13 | 1/2 | 68 | 2.68 | 40 | 1.57 | 43 | 1.69 | 27 |
| 1CF56-18-10 | M26x1.5 | 16 | 5/8 | 79 | 3.11 | 45 | 1.77 | 52 | 2.05 | 32 |
| 1CF56-22-12 | M30x2 | 19 | 3/4 | 91 | 3.58 | 57 | 2.24 | 55 | 2.17 | 36 |
| 1CF56-28-16 | M36x2 | 25 | 1 | 122 | 5.00 | 74 | 2.91 | 71 | 2.80 | 41 |

Construction: Steel. Add "C" for Stainless Steel.

1D056 - Male Stud DIN 20078

Light Series, ISO 8434-1

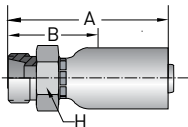


| Part Number | Thread Size | Hose I.D. | | A | | Cutoff Allow. B | | H Hex |
|-------------|-------------|-----------|------|----|------|-----------------|------|-------|
| | | mm | inch | mm | inch | mm | inch | mm |
| # | | | | | | | | |
| 1D056-6-3 | M12x1.5 | 5 | 3/16 | 41 | 1.61 | 23 | 0.91 | 12 |
| 1D056-6-4 | M12x1.5 | 6 | 1/4 | 48 | 1.89 | 23 | 0.91 | 12 |
| 1D056-8-4 | M14x1.5 | 6 | 1/4 | 47 | 1.85 | 23 | 0.91 | 14 |
| 1D056-10-5 | M16x1.5 | 8 | 5/16 | 50 | 1.97 | 24 | 0.94 | 17 |
| 1D056-12-5 | M18x1.5 | 8 | 5/16 | 52 | 2.05 | 26 | 1.02 | 19 |
| 1D056-10-6 | M16x1.5 | 10 | 3/8 | 50 | 1.97 | 24 | 0.94 | 17 |
| 1D056-12-6 | M18x1.5 | 10 | 3/8 | 50 | 1.97 | 24 | 0.94 | 19 |
| 1D056-15-6 | M22x1.5 | 10 | 3/8 | 52 | 2.05 | 27 | 1.06 | 22 |
| 1D056-15-8 | M22x1.5 | 13 | 1/2 | 55 | 2.16 | 27 | 1.06 | 22 |
| 1D056-18-10 | M26x1.5 | 16 | 5/8 | 64 | 2.52 | 30 | 1.18 | 27 |
| 1D056-22-12 | M30x2 | 19 | 3/4 | 68 | 2.68 | 34 | 1.34 | 30 |
| 1D056-28-16 | M36x2 | 25 | 1 | 82 | 3.23 | 34 | 1.34 | 36 |

Construction: Steel. Add "C" for Stainless Steel.

1D256 - Metric Male Stud 24°

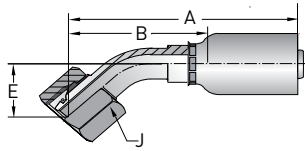
Light Series, ISO 12151-2



| Part Number | Thread Size | Hose I.D. | | A | | Cutoff Allow. B | | H Hex |
|-------------|-------------|-----------|------|----|------|-----------------|------|-------|
| | | mm | inch | mm | inch | mm | inch | mm |
| # | | | | | | | | |
| 1D256-8-3 | M16x1.5 | 5 | 3/16 | 42 | 1.65 | 25 | 0.98 | 17 |
| 1D256-10-4 | M18x1.5 | 6 | 1/4 | 52 | 2.05 | 27 | 1.06 | 19 |
| 1D256-10-5 | M18x1.5 | 8 | 5/16 | 53 | 2.09 | 27 | 1.06 | 19 |
| 1D256-12-5 | M20x1.5 | 8 | 5/16 | 53 | 2.09 | 27 | 1.06 | 22 |
| 1D256-12-6 | M20x1.5 | 10 | 3/8 | 53 | 2.09 | 27 | 1.06 | 22 |
| 1D256-14-6 | M22x1.5 | 10 | 3/8 | 57 | 2.24 | 31 | 1.22 | 22 |
| 1D256-16-6 | M24x1.5 | 10 | 3/8 | 57 | 2.24 | 31 | 1.22 | 24 |
| 1D256-16-8 | M24x1.5 | 13 | 1/2 | 60 | 2.36 | 31 | 1.22 | 24 |
| 1D256-20-12 | M30x2 | 19 | 3/4 | 72 | 2.83 | 38 | 1.50 | 32 |

Construction: Steel. Add "C" for Stainless Steel.

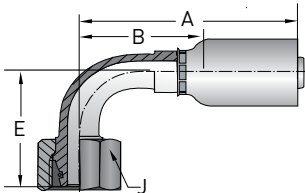
10C56 – Metric Female Swivel 24° With O-Ring 45° Elbow Light Series, ISO 12151-2



| Part Number | Thread Size | Hose I.D. | | A | | Cutoff Allow. B | | E | | J Hex |
|-------------|-------------|-----------|------|----|------|-----------------|------|----|------|-------|
| | | mm | inch | mm | inch | mm | inch | mm | inch | mm |
| # | | | | | | | | | | |
| 10C56-6-3 | M14x1.5 | 5.0 | 3/16 | 58 | 2.28 | 40 | 1.57 | 16 | 0.63 | 17 |
| 10C56-8-3 | M16x1.5 | 5 | 3/16 | 59 | 2.32 | 41 | 1.61 | 18 | 0.71 | 19 |
| 10C56-10-4 | M18x1.5 | 6 | 1/4 | 64 | 2.52 | 40 | 1.57 | 17 | 0.67 | 22 |
| 10C56-12-5 | M20x1.5 | 8 | 5/16 | 69 | 2.72 | 43 | 1.69 | 17 | 0.67 | 24 |
| 10C56-12-6 | M20x1.5 | 10 | 3/8 | 75 | 2.95 | 49 | 1.93 | 20 | 0.79 | 24 |
| 10C56-16-8 | M24x1.5 | 13 | 1/2 | 80 | 3.15 | 51 | 2.01 | 23 | 0.91 | 30 |

Construction: Steel. Add "C" for Stainless Steel.

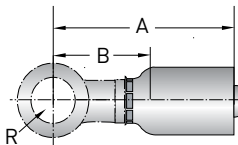
11C56 – Metric Female Swivel 24° With O-Ring 90° Elbow Light Series, ISO 12151-2



| Part Number | Thread Size | Hose I.D. | | A | | Cutoff Allow. B | | E | | J Hex |
|-------------|-------------|-----------|------|----|------|-----------------|------|----|------|-------|
| | | mm | inch | mm | inch | mm | inch | mm | inch | mm |
| # | | | | | | | | | | |
| 11C56-8-3 | M16x1.5 | 5 | 3/16 | 48 | 1.89 | 30 | 1.18 | 29 | 1.14 | 19 |
| 11C56-10-4 | M18x1.5 | 6 | 1/4 | 53 | 2.09 | 29 | 1.14 | 32 | 1.26 | 22 |
| 11C56-12-5 | M20x1.5 | 8 | 5/16 | 65 | 2.56 | 39 | 1.54 | 34 | 1.34 | 24 |
| 11C56-12-6 | M20x1.5 | 10 | 3/8 | 63 | 2.48 | 38 | 1.50 | 37 | 1.46 | 24 |
| 11C56-16-8 | M24x1.5 | 13 | 1/2 | 68 | 2.68 | 40 | 1.57 | 45 | 1.77 | 30 |

Construction: Steel. Add "C" for Stainless Steel.

14956 – Banjo Union DIN 7642



| Part Number | Diameter R | Hose I.D. | | A | | Cutoff Allow. B | |
|-------------|------------|-----------|------|----|------|-----------------|------|
| | | mm | inch | mm | inch | mm | inch |
| # | | | | | | | |
| 14956-14-3 | 14 | 5 | 3/16 | 49 | 1.93 | 31 | 1.22 |
| 14956-12-4 | 12 | 6 | 1/4 | 50 | 1.97 | 25 | 1.50 |
| 14956-14-4 | 14 | 6 | 1/4 | 56 | 2.20 | 32 | 1.26 |
| 14956-12-5 | 12 | 8 | 5/16 | 54 | 2.13 | 29 | 1.14 |
| 14956-14-5 | 14 | 8 | 5/16 | 53 | 2.09 | 27 | 1.06 |
| 14956-16-6 | 16 | 10 | 3/8 | 58 | 2.28 | 33 | 1.30 |
| 14956-17-6 | 17 | 10 | 3/8 | 55 | 2.17 | 29 | 1.14 |

Construction: Steel.

Parker Safety Guide

For selecting and using Hose, Tubing, Fittings,
and Related Accessories



**Parker Safety Guide for Selecting and Using Hose, Tubing,
Fittings and Related Accessories**
Publication No. 4400-B.1
Revised: November 2007

WARNING: Failure or improper selection or improper use of hose, tubing, fittings, assemblies or related accessories (“Products”) can cause death, personal injury and property damage. Possible consequences of failure or improper selection or improper use of these Products include but are not limited to:

- Fittings thrown off at high speed.
- High velocity fluid discharge.
- Explosion or burning of the conveyed fluid.
- Electrocution from high voltage electric powerlines.
- Contact with suddenly moving or falling objects that are controlled by the conveyed fluid.
- Injections by high-pressure fluid discharge.
- Dangerously whipping Hose.
- Contact with conveyed fluids that may be hot, cold, toxic or otherwise injurious.
- Sparking or explosion caused by static electricity buildup or other sources of electricity.
- Sparking or explosion while spraying paint or flammable liquids.
- Injuries resulting from inhalation, ingestion or exposure to fluids.

Parker Fluid Connectors Group North American Divisions & Distribution Service Centers

Your complete source for quality tube fittings, hose & hose fittings, brass & composite fittings, quick-disconnect couplings, valves and assembly tools, locally available from a worldwide network of authorized distributors.

Fittings:

Available in inch and metric sizes covering SAE, BSP, DIN, GAZ, JIS and ISO thread configurations, manufactured from steel, stainless steel, brass, aluminum, nylon and thermoplastic.

Hose, Tubing and Bundles:

Available in a wide variety of sizes and materials including rubber, wire-reinforced, thermoplastic, hybrid and custom compounds.

Worldwide Availability:

Parker operates Fluid Connectors manufacturing locations and sales offices throughout North America, South America, Europe and Asia-Pacific.

For information, call toll free...

**1-800-C-PARKER
(1-800-272-7537)**

North American Divisions

Energy Products Division

Stafford, TX
phone 281 566 4500
fax 281 530 5353

Fluid System Connectors Division

Otsego, MI
phone 269 694 9411
fax 269 694 4614

Hose Products Division

Wickliffe, OH
phone 440 943 5700
fax 440 943 3129

Industrial Hose Division

Wickliffe, OH
phone 440 833 2120
fax 440 833 2230

Parflex Division

Ravenna, OH
phone 330 296 2871
fax 330 296 8433

Quick Coupling Division

Minneapolis, MN
phone 763 544 7781
fax 763 544 3418

Tube Fittings Division

Columbus, OH
phone 614 279 7070
fax 614 279 7685

Distribution Service Centers

Buena Park, CA

phone 714 522 8840
fax 714 994 1183

Conyers, GA

phone 770 929 0330
fax 770 929 0230

Louisville, KY

phone 502 937 1322
fax 502 937 4180

Portland, OR

phone 503 283 1020
fax 503 283 2201

Toledo, OH

phone 419 878 7000
fax 419 878 7001
fax 419 878 7420
(FCG Kit Operations)

Canada

Grimsby, ONT

phone 905 945 2274
fax 905 945 3945
(Contact Grimsby for other Service Center locations.)

