

NOTES:

1. PUMP SHOWN WITH INLET PORT OPTION "OMIT" (REAR PORT)
2. PUMP SHOWN IS A CLOCKWISE ROTATION PUMP. COUNTERCLOCKWISE PUMP WILL HAVE OUTLET PORT, CONTROL, DRAIN AND CONTROLS ON OPPOSITE SIDE.
3. SEAL KIT SKPAVC100** (**= DESIGN SERIES)
 ROTATING GROUP REPAIR KIT - RRPAPVC100W
 - DESIGN SERIES
 - R - RIGHT (CW) ROTATION
 - L - LEFT (CCW) ROTATION

HEAT TREAT:	SUPERSEDES:	PART MUST CONFORM TO ENGR. STD'S: ES-M 1000
FINISH:	MATERIAL:	DIMENSIONS ARE IN INCHES TOL. ON DEC. DIM'S UNLESS OTHERWISE SPECIFIED: J PLACE (.0) ± .060 K PLACE (.00) ± .030 M PLACE (.000) ± .010 ANGLES ± 2°

REV	ECR NO	SEE SHEET 1	CHO BY	DATE
DRAWN BY: L. BASS	DATE: 1/5/93	HYDRAULIC PUMP/MOTOR DIV		
CHK. PLUS:	DATE:	Parker		
SCALE: 1/2	TITLE: SERVICE PARTS - PAVC100/21			
SHT 3 OF 6	DRAWING NO. MD787584	REV. H	STATUS PR	

P A V C 1 0 0

21

ITEM	PART NUMBER	QTY	DESCRIPTION
2	787420	1	BARREL
3	786804	1	BUSHING-BARREL
4	787411	1	SPRING-BARREL
5	786685	1	BALL SEAT
6	786684	1	SLIPPER RETAINER
7	786867	1	SWASH PLATE
8	786872	1	SERVO PISTON
9	787412	1	SPRING-SERVO
10	786870	2	TRUNNION PIN
11	786568	1	BEARING - BALL
12	786966	1	TRUN. CAP ASSY.
13	800299	1	EYE BOLT
14	786865	1	SPRING-MODULATOR
15	787474	1	SPRING-UPSTROKE
16	786116	1	RETAINER-SPRING
17	787339	1	SPOOL & SLEEVE ASSY.
18	786946	1	AIRBLEED ASSY.
19	16X23	1	JAM NUT
20	2025N-9	1	O-RING
21	2166N-9	1	O-RING
22	99X81	2	ROLL PIN
23	99X127	2	ROLL PIN
24	108X4	3	PLUG
25	10X294	2	CAP SCREW
26	10X303	6	CAP SCREW
27	800511	1	NAME PLATE
28	56X357	1	SNAP RING
29	56X327	2	SNAP RING
30	39X10	2	DRIVE SCREW
31	108X2	2	PLUG
32	56X329	1	SNAP RING

ITEM	PART NUMBER	QTY	DESCRIPTION
OMIT	34	786801	9 PISTON ASSEMBLY
W	1	787549	1 SHAFT SEAL
W	34	786801	9 PISTON ASSEMBLY
W	1	788043	1 SHAFT SEAL - VITON

ITEM	PART NUMBER	QTY	DESCRIPTION
OMIT	38	787592	1 SHAFT-STRAIGHT ASSY
OMIT	39	22X31	1 KEY
B	38	787593	1 SHAFT SPLINE ASSY.
C	38	787594	1 SHAFT-STRAIGHT ASSY
C	39	22X45	1 KEY
D	38	787595	1 SHAFT-SPLINE ASSY.
OMIT	38	787613	1 SHAFT-STRAIGHT ASSY
OMIT	39	22X31	1 KEY
B	38	787572	1 SHAFT-SPLINE ASSY.
C	38	787573	1 SHAFT-STRAIGHT ASSY
C	39	22X45	1 KEY
D	38	787574	1 SHAFT-SPLINE ASSY.
9	80	787401	1 IDLER SHAFT
9	81	787550	1 NEEDLE BEARING

ITEM	PART NUMBER	QTY	DESCRIPTION
OMIT	42	786973	1 TRUNNION HOUSING
2	42	786974	1 TRUNNION HOUSING
2	43	787020	1 THRU SHAFT PLUG
2	44	2234N-7	1 O-RING
2	45	786944	1 COVER PLATE
2	46	787021	1 INLET COVER
2	47	2228N-9	1 O-RING
2	48	12X291	4 BOLT
2	49	12X253	4 BOLT

ITEM	PART NUMBER	QTY	DESCRIPTION	
OMIT	R	40	787558	1 FRONT HOUSING ASSY.
OMIT	L	40	787559	1 FRONT HOUSING ASSY.
3	R	40	787556	1 FRONT HOUSING ASSY.
3	L	40	787557	1 FRONT HOUSING ASSY.

R	41	786678	1	PORT PLATE
L	41	786680	1	PORT PLATE

OMIT	50	786949	1	NON-ADJ. DIFF. ASSY
4	52	786950	1	ADJ. DIFF. ASSY

OMIT	55	108X6	1	PLUG
2	56	786954	1	MAX. VOL. STOP"VAR. 2"ASSY
5	57	786955	1	MAX. VOL. STOP"VAR. 5"ASSY

ITEM	PART NUMBER	QTY	DESCRIPTION
OMIT	NO THRU SHAFT OPTION		
6A1	59	787851	1 ADAPTER KIT "AA"
6A3	60	786925	1 ADAPTER KIT "AA"
6A4	61	786926	1 ADAPTER KIT "A"
6B1	62	786927	1 ADAPTER KIT "B"
6B2	63	786932	1 ADAPTER KIT "BB"
6B3	64	787076	1 ADAPTER KIT "B"
6B4	65	787077	1 ADAPTER KIT "BB"
6C2	67	786928	1 ADAPTER KIT "C"
6C3	68	787078	1 ADAPTER KIT "C"

ITEM	PART NUMBER	QTY	DESCRIPTION
70	786952		PRESS COMP. ASSY
71	786953		TORQUE PLUG ASSY
72	786951		TORQUE CONTROL ASSY
73	786956		SERVO CONTROL ASSY
74	102X1		PIPE PLUG
24	108X4		STRAIGHT PLUG
76	690870		ORIFICE PLUG
77	786635		ORIFICE FITTING

REFER TO SECTION X-X
& SECTION Y-Y
(SHEET 5 OF 6)
FOR LOCATION & COMBINATION
OF ABOVE COMPONENTS

USE NITRILE SEALS

PUMP DESIGN SERIES

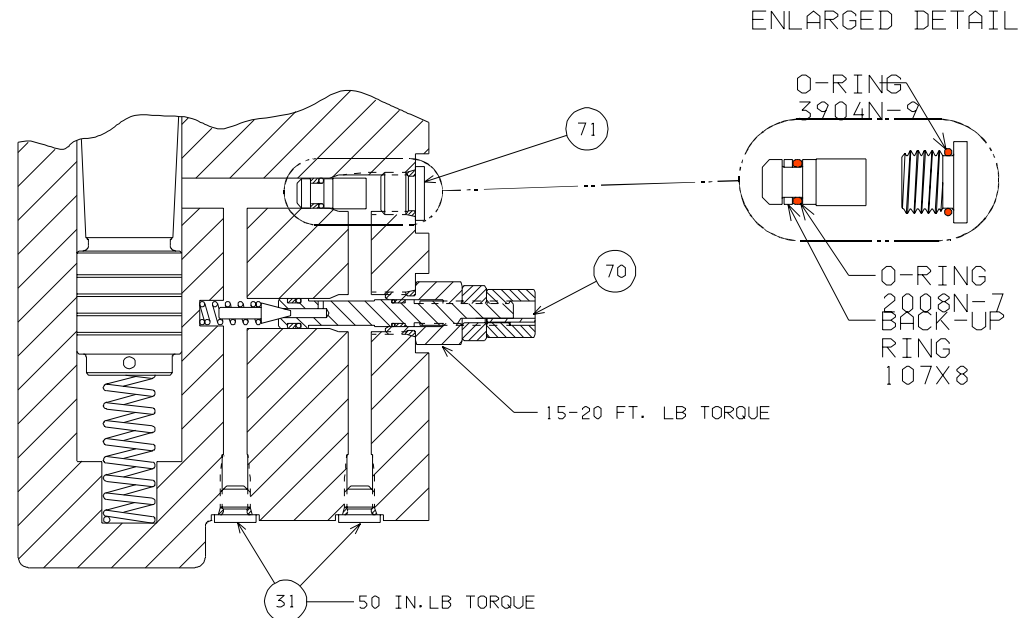
NOTES:
1 VARIATION "5" NOT AVAILABLE WITH VARIATION "6" (THRU SHAFT).

H	129835	MOD. GEOMETRY	LCB	9/7/93
G	129564	ADD EXPLODED ASSY	LCB	5/14/93
F	129477	787420 WAS 786420	LCB	10/14/92
E	129196	ADDED 2 BOLTS	LCB	1/29/92
D	129112	REMOVED VAR. 6C1	LCB	11/15/91
C	129026	ADDED VARIATION 6A1	LCB	8/21/91
B	128822	SEE ECN	LCB	12/20/90
A	128751	DELETE RET. RING	LCB	9/17/90
-	128668	RELEASE TO PR	LCB	7/24/90
REV	ECR NO	REVISION	CHG BY	DATE

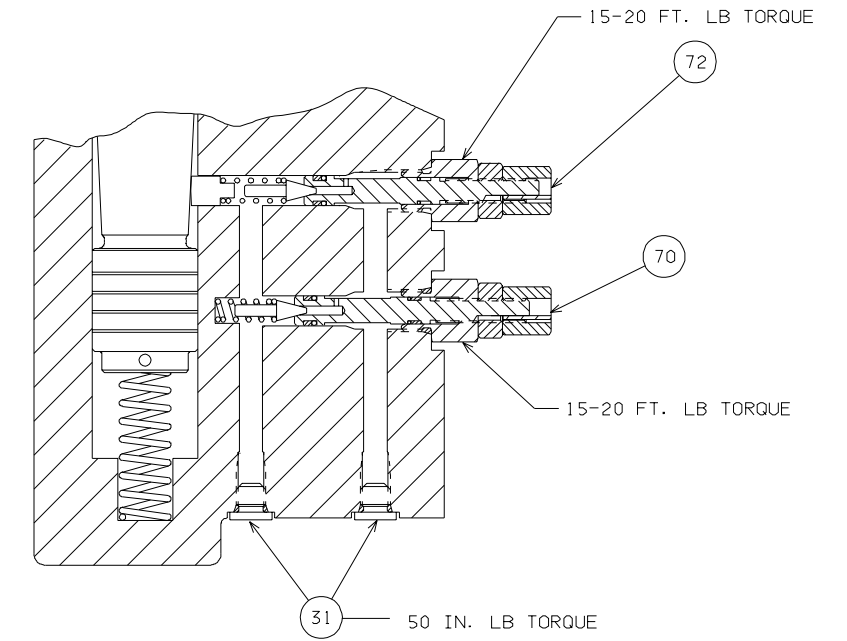
SCALE: -
DRAWN BY: L. BASS DATE: 4/3/89
APP'D BY: DATE:
Parker FLUIDPOWER PUMP DIVISION

HEAT TREAT:	SUPERSEDES:	PART MUST CONFORM TO ENGR. STD'S: ES-M 1000	TITLE:	SERVICE PARTS - PAVC100/21	
FINISH:	SUPERSEDED BY:	DIMENSIONS ARE IN INCHES TOL. ON DEC. DIM'S, UNLESS OTHERWISE SPECIFIED:	SHEET 1 OF 6	DRAWING NO.	MD787584
	MATERIAL:	1 PLACE (.0) ± .060 2 PLACE (.00) ± .030 3 PLACE (.000) ± .010 ANGLES ± 2°	REV.	H	STATUS
					PR

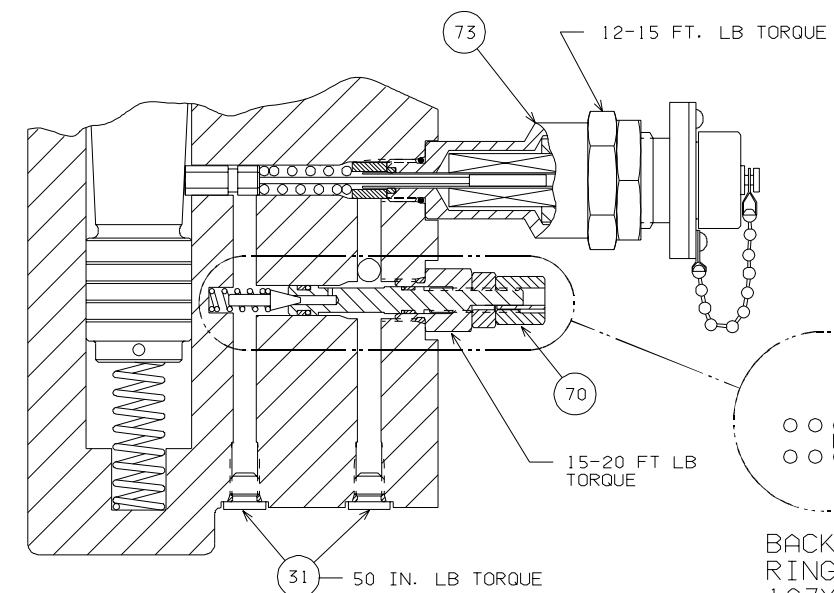
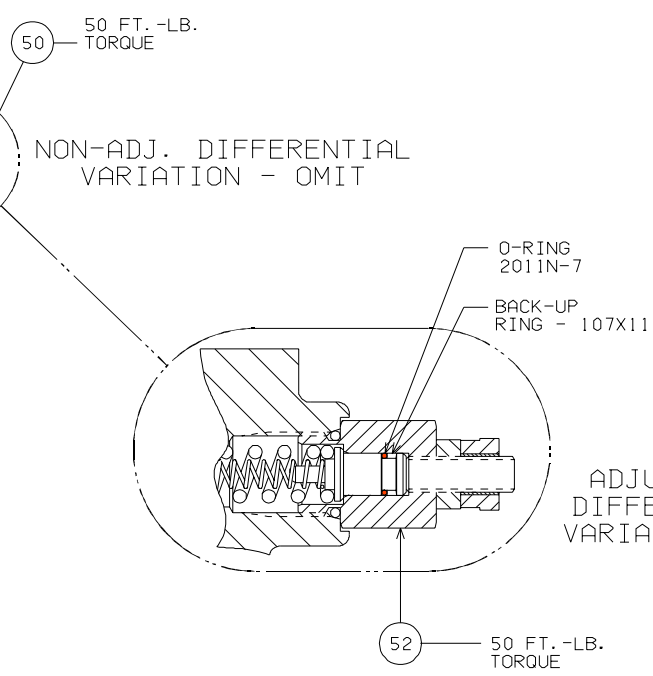
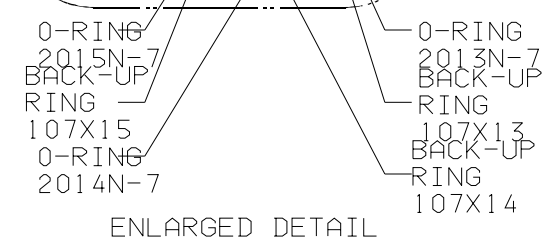
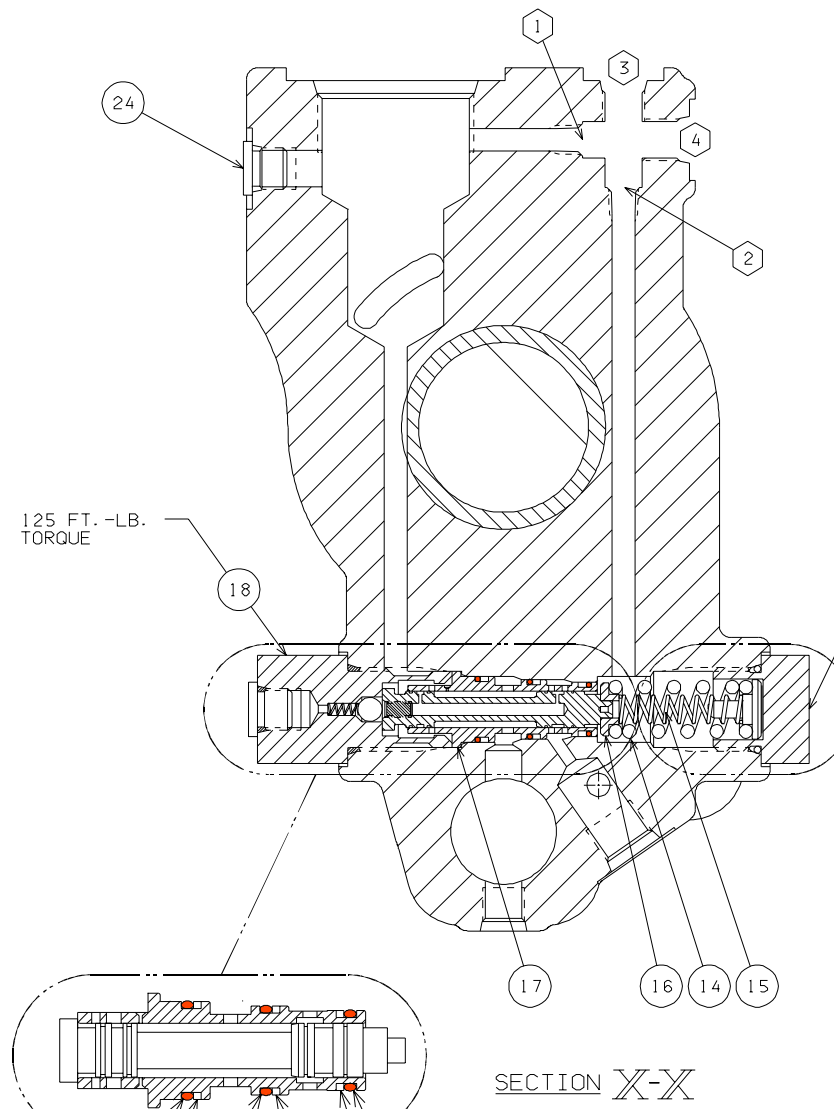
CONTROL OPTION	POSITION			
	1	2	3	4
OMIT	OPEN	690870	108X4	108X4
A	102X1	690870	OPEN	108X4
C	102X1	690870	OPEN	108X4
H	OPEN	690870	108X4	108X4
M	690870	OPEN	OPEN	108X4
ME	102X1	690870	OPEN	108X4
S	690870	OPEN	OPEN	108X4
SE	102X1	690870	OPEN	108X4
AM	102X1	690870	786635	OPEN
CM	102X1	690870	786635	OPEN
HM	690870	OPEN	OPEN	108X4



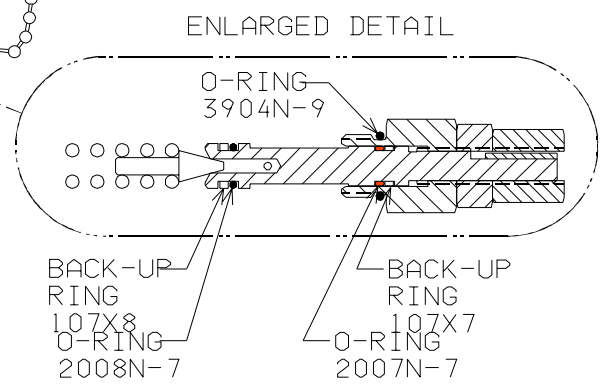
CONTROL OPTION OMIT, A, M, ME & AM
SECTION Y-Y



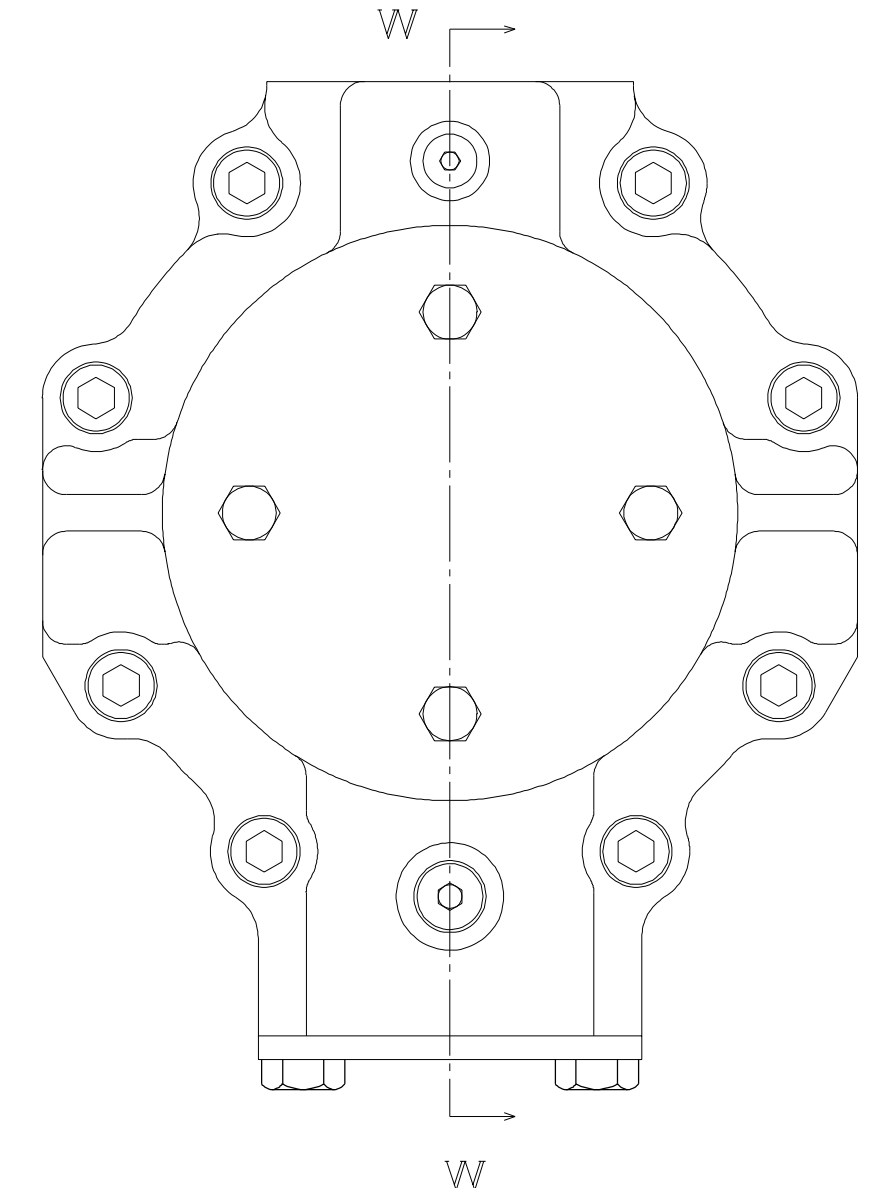
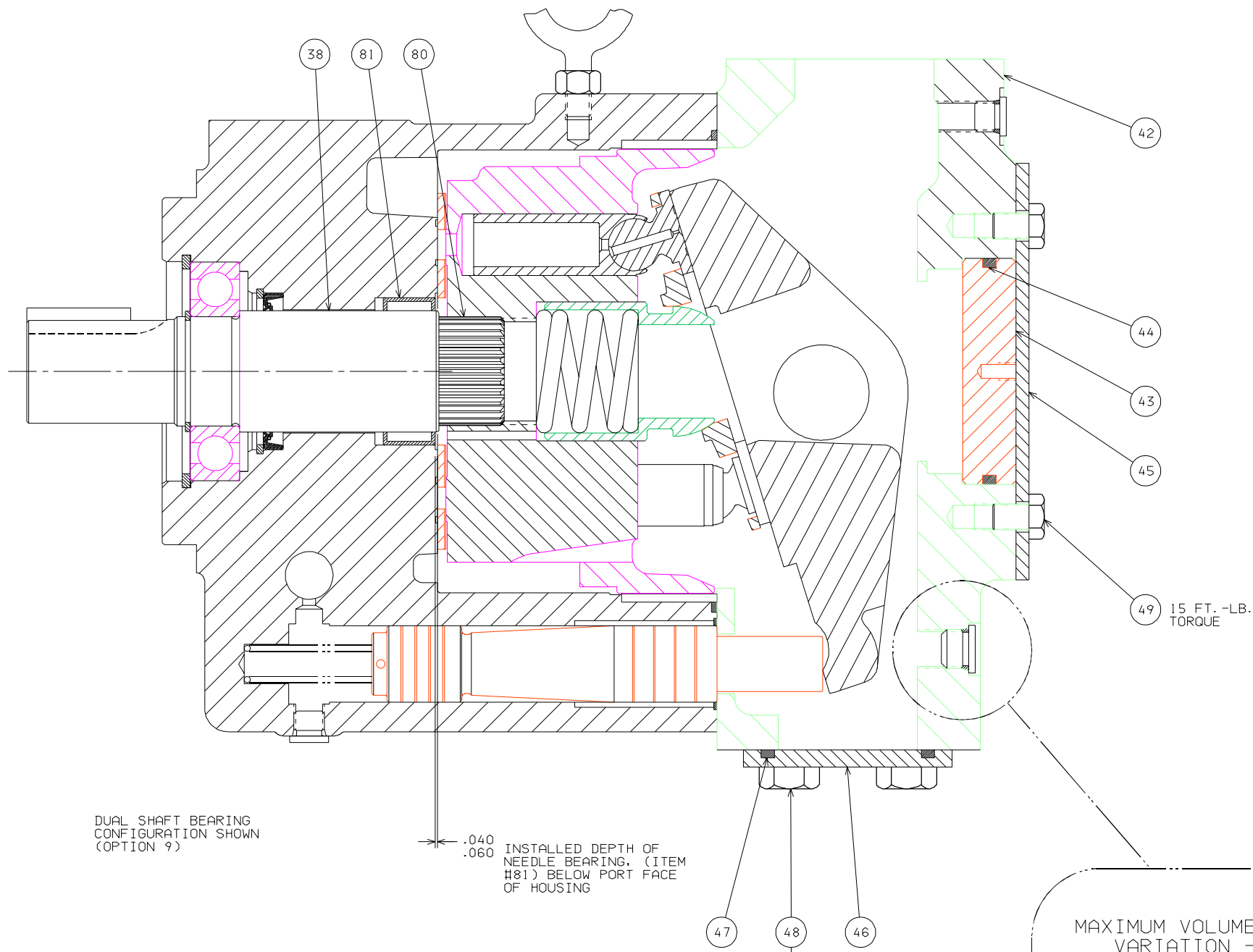
CONTROL OPTION C, H, CM & HM
SECTION Y-Y



CONTROL OPTION S & SE
SECTION Y-Y



REV		ECR NO	REVISION		CHG BY	DATE
DRAWN BY: L. BASS		DATE: 10/2/89	FLUIDPOWER PUMP DIVISION			
APP'D BY:		DATE:	SCALE: FULL			
HEAT TREAT:		SUPERSEDES:	PART MUST CONFORM TO ENGR. STD'S: ES-M 1000		TITLE: SERVICE PARTS - PAVC100/21	
FINISH:		MATERIAL:	DIMENSIONS ARE IN INCHES TOL. ON DEC. DIM'S, UNLESS OTHERWISE SPECIFIED:		DRAWING NO. MD787584	
			1 PLACE (.0) ± .060		REV. H	STATUS PR
			2 PLACE (.00) ± .030		SHEET 5 OF 6	
			3 PLACE (.000) ± .010		ANGLES ± 2°	



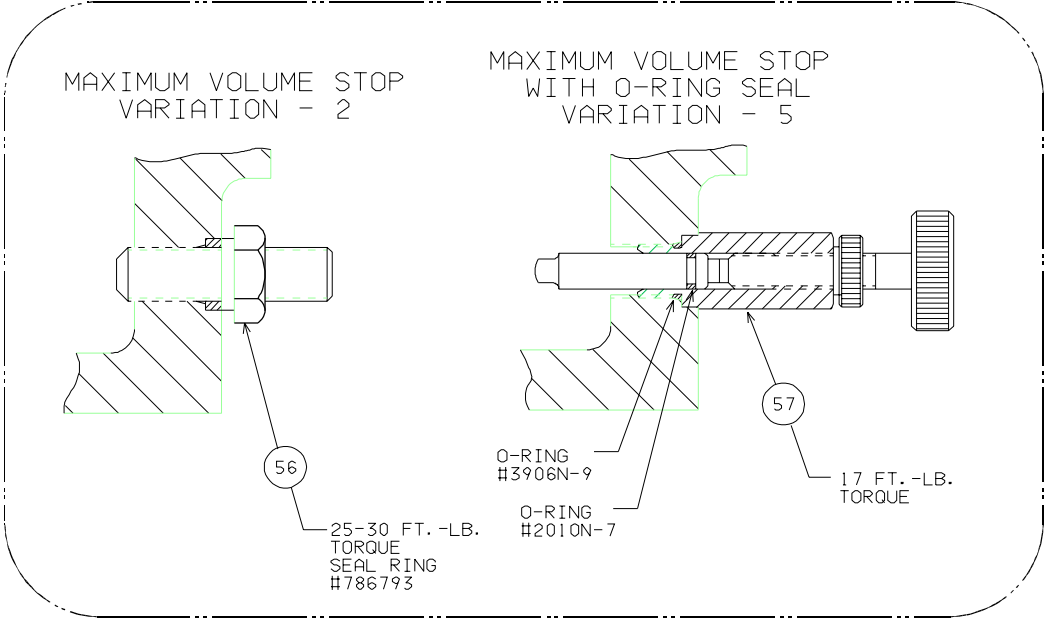
DUAL SHAFT BEARING CONFIGURATION SHOWN (OPTION 9)

.040
.060
INSTALLED DEPTH OF NEEDLE BEARING, (ITEM #81) BELOW PORT FACE OF HOUSING

SECTION W-W

40 FT.-LB. TORQUE

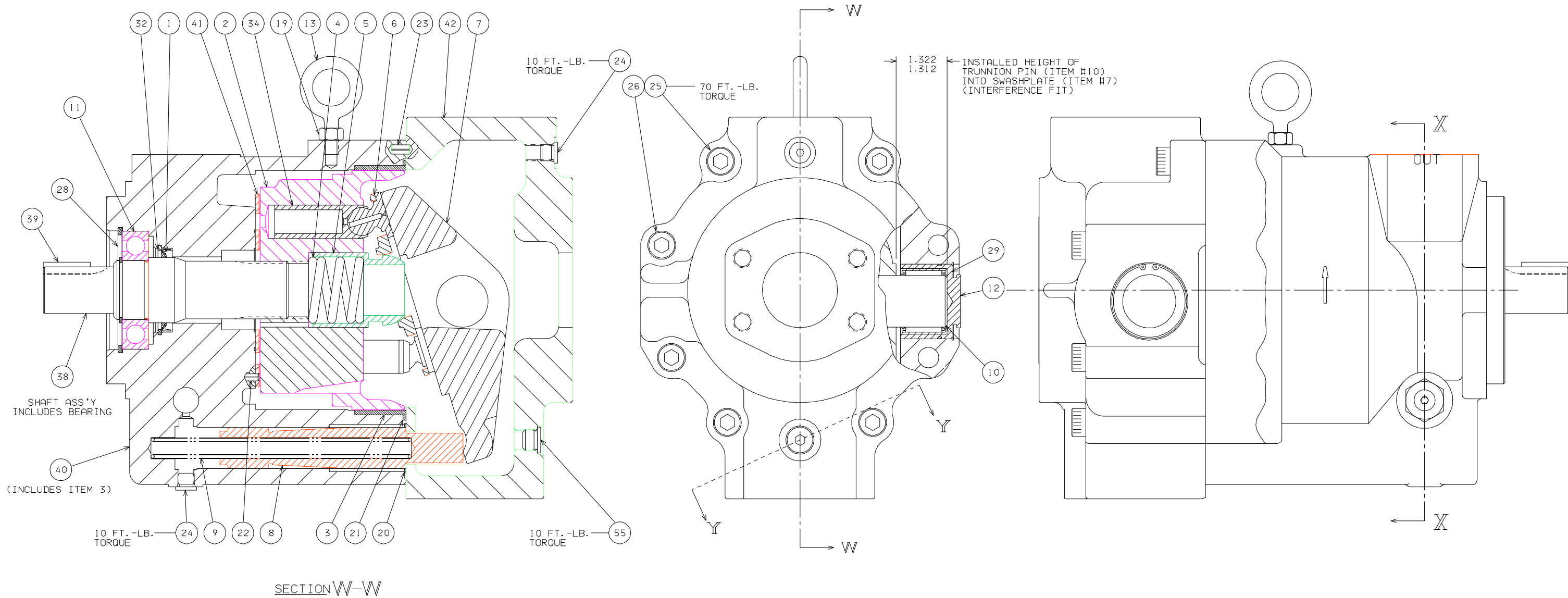
15 FT.-LB. TORQUE



NOTE:
1. PUMP SHOWN WITH INLET PORT OPTION "2" (TOP/BOTTOM PORTS).

HEAT TREAT:		SUPERSEDES:		PART MUST CONFORM TO ENGR. STD'S: ES-M 1000		TITLE: SERVICE PARTS - PAVC100/21	
FINISH:		MATERIAL:		DIMENSIONS ARE IN INCHES TOL. ON DEC. DIM'S, UNLESS OTHERWISE SPECIFIED:		DRAWING NO. MD787584	
				1 PLACE (.0) ± .060		REV. H	
				2 PLACE (.00) ± .030		STATUS PR	
				3 PLACE (.000) ± .010		SHEET 4 OF 6	
				ANGLES ± 2°		SCALE: FULL	

SEE SHEET 1			
REV	ECR NO	REVISION	CHG BY DATE
DRAWN BY: L. BASS	DATE: 10/2/89	FLUIDPOWER PUMP DIVISION	
APP'D BY:	DATE:	Parker	
SCALE: FULL			

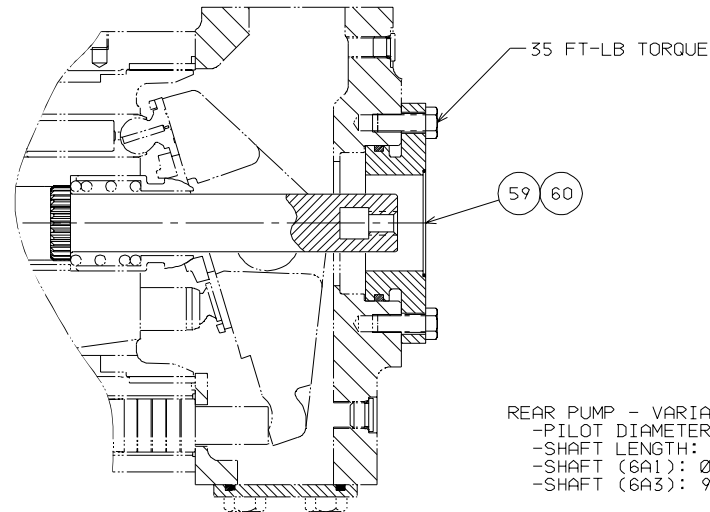


NOTES:

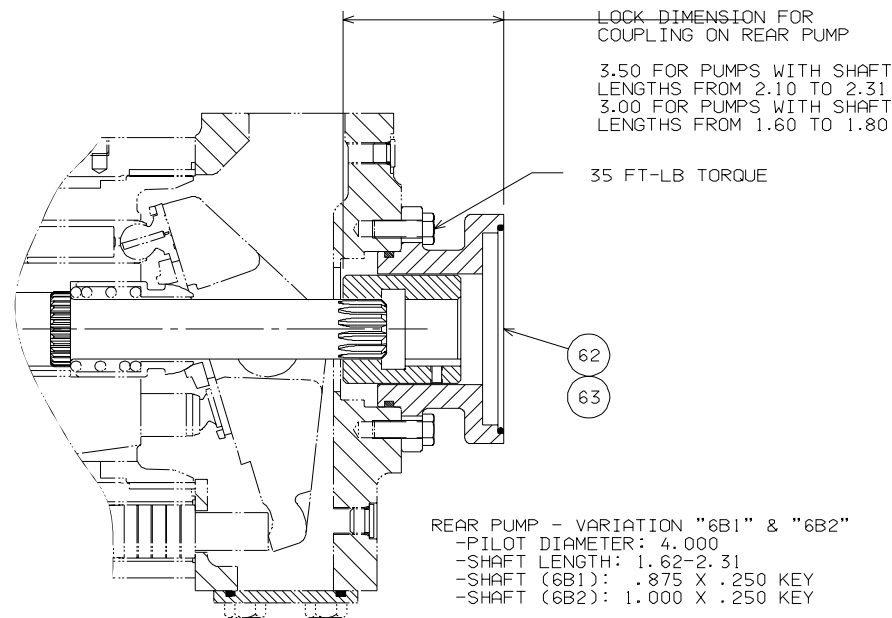
1. PUMP SHOWN WITH INLET PORT OPTION "OMIT" (REAR PORT)
2. PUMP SHOWN IS A CLOCKWISE ROTATION PUMP. COUNTERCLOCKWISE PUMP WILL HAVE OUTLET PORT, CONTROL DRAIN AND CONTROLS ON OPPOSITE SIDE.

REV	ECR NO	REVISION	CHG BY	DATE
DRAWN BY: L. BASS		DATE: 10/2/89		
APP'D BY:		DATE:		
SCALE: 3/4				
FLUIDPOWER PUMP DIVISION				
TITLE: SERVICE PARTS - PAVC100/21				
SHEET 2 OF 6		DRAWING NO. MD787584		REV. H
				STATUS PR

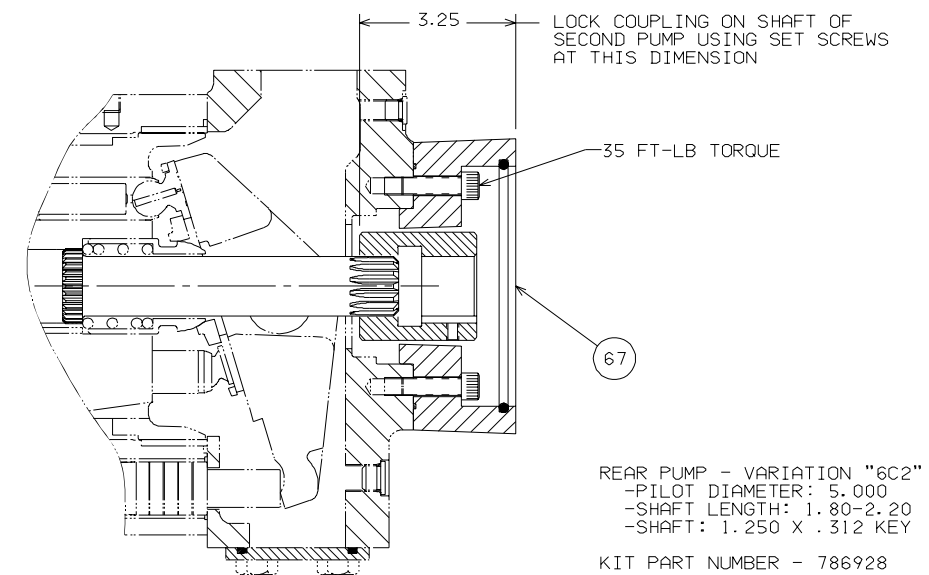
HEAT TREAT:	SUPERSEDES:	PART MUST CONFORM TO ENGR. STD'S: ES-M 1000
	SUPERSEDED BY:	DIMENSIONS ARE IN INCHES TOL. ON DEC. DIM'S. UNLESS OTHERWISE SPECIFIED:
		1 PLACE (. 0) ± .060
		2 PLACE (. 00) ± .030
		3 PLACE (. 000) ± .010
		ANGLES ± 2°
FINISH:	MATERIAL:	



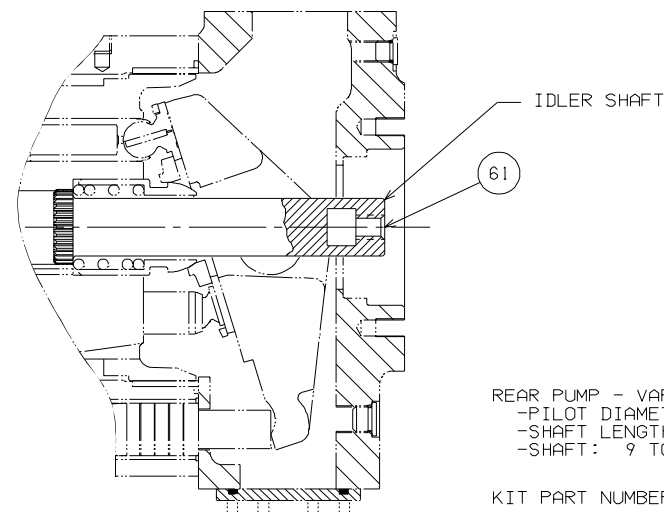
REAR PUMP - VARIATION "6A1" & "6A3"
 -PILOT DIAMETER: 2.000
 -SHAFT LENGTH: 1.00-1.50
 -SHAFT (6A1): Ø.500 X .125 KEY
 -SHAFT (6A3): 9 TOOTH 20/40 PITCH
 KIT PART NUMBERS:
 "6A1" - 787851
 "6A3" - 786925



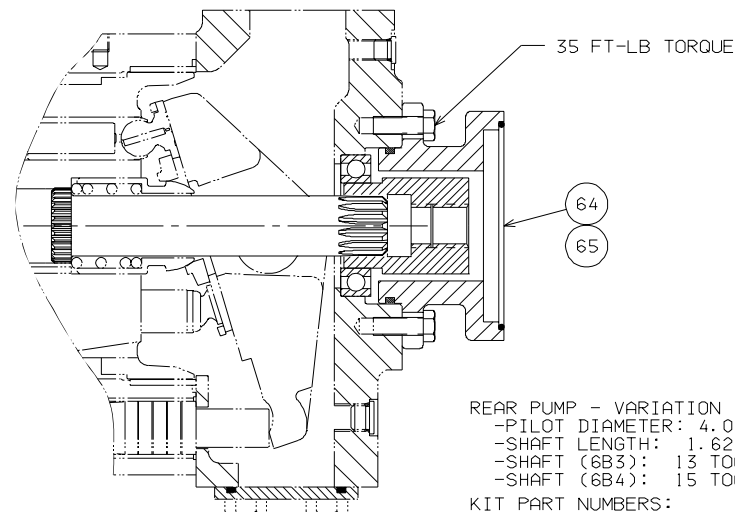
REAR PUMP - VARIATION "6B1" & "6B2"
 -PILOT DIAMETER: 4.000
 -SHAFT LENGTH: 1.62-2.31
 -SHAFT (6B1): .875 X .250 KEY
 -SHAFT (6B2): 1.000 X .250 KEY
 KIT PART NUMBERS:
 "6B1" - 786927
 "6B2" - 786932



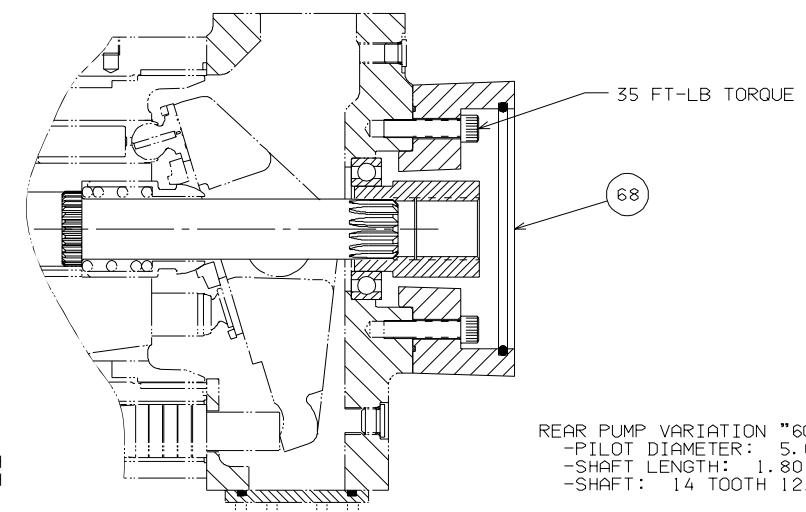
REAR PUMP - VARIATION "6C2"
 -PILOT DIAMETER: 5.000
 -SHAFT LENGTH: 1.80-2.20
 -SHAFT: 1.250 X .312 KEY
 KIT PART NUMBER - 786928



REAR PUMP - VARIATION "6A4"
 -PILOT DIAMETER: 3.250
 -SHAFT LENGTH: 1.25 - 1.40
 -SHAFT: 9 TOOTH 16/32 PITCH
 KIT PART NUMBER - 786926



REAR PUMP - VARIATION "6B3" & "6B4"
 -PILOT DIAMETER: 4.000
 -SHAFT LENGTH: 1.62 - 2.31
 -SHAFT (6B3): 13 TOOTH 16/32 PITCH
 -SHAFT (6B4): 15 TOOTH 16/32 PITCH
 KIT PART NUMBERS:
 "6B3" - 787076
 "6B4" - 787077



REAR PUMP VARIATION "6C3"
 -PILOT DIAMETER: 5.000
 -SHAFT LENGTH: 1.80 - 2.20
 -SHAFT: 14 TOOTH 12/24 PITCH
 KIT PART NUMBER - 787078

NOTE:

1. IDLER SHAFT INSTALLED THROUGH FRONT OF PUMP. (REMOVE INPUT SHAFT, INSTALL IDLER, RE-INSTALL INPUT SHAFT.)

REV		ECR NO		SEE SHEET 1	
DRAWN BY: L. BASS		DATE: 10/2/89		REVISION	CHG BY DATE
APP'D BY:		DATE:		FLUIDPOWER PUMP DIVISION	
SCALE: 1/2		PART MUST CONFORM TO ENGR. STD'S: ES-M 1000		TITLE: SERVICE PARTS - PAVC100/21	
FINISH:		MATERIAL:		SHEET 6 OF 6	
HEAT TREAT:		SUPERSEDES:		DRAWING NO. MD787584	
		SUPERSEDED BY:		REV. H	
		OTHERWISE SPECIFIED:		STATUS PR	