

ITEM	PART NUMBER	QTY	DESCRIPTION
1	745761	1	SHAFT SEAL
2	785396	2	PIN - PORT PLATE
3			
4	786174	1	SWASH PLATE
5	766094	1	TRUNNION PIN
6	39X10	2	DRIVE SCREW
7	800511	1	NAME PLATE
8	786170	1	SERVO PISTON
9	786886	1	SLIPPER RETAINER
10	785767	1	BALL SEAT
11	788205	1	SPRING-BARREL
12	786380	1	SPRING-SERVO
13	98X16	1	BALL
14	787060N	1	PLUG-SERVO ASSY
15	787061N	2	TRUNNION CAP ASSY
16	2137N-7	1	O-RING
17	787056N	1	SPOOL & SLEEVE ASSY
18	786946N	1	AIRBLEED ASSY
19	786116	1	RETAINER-SPRING
20	786113	1	SPRING-MOD.
21	2022N-9	1	O-RING
22	2047N-9	1	O-RING
23	102X1	1	PLUG
25	786280	1	RETAINER
26	786887	1	BARREL BUSHING
27			
28	56X317	1	SNAP RING
29	56X327	1	SNAP RING
30	56X318	2	SNAP RING

ITEM	PART NUMBER	QTY	DESCRIPTION
42	789533	1	TRUNNION HSG.
43	10X295	4	CAP SCREW
24	108X4	1	PLUG - SAE
42	786824	1	TRUNNION HSG - INCH
43	10X299	4	CAP SCREW
46	12X275	2	SCREW HEX HEAD
47	36X10	2	LOCKWASHER
48	735125	1	FLANGE
49	2222N-7	1	O-RING
24	108X4	1	PLUG - SAE
42	788609	1	TRUNNION HSG - 6149
43	10X299	4	CAP SCREW
46	212X205	2	SCREW HEX HEAD - METRIC
47	36X10	2	LOCKWASHER
48	735125	1	FLANGE
49	2222N-7	1	O-RING
41	788517	1	ADAPTER FITTING
24	788516-04	1	PLUG - 6149

ITEM	PART NUMBER	QTY	DESCRIPTION
70	786952N		PRESS COMP. ASSY
71	786953N		TORQUE PLUG ASSY
72	786951N		TORQUE CONTROL ASSY
73	786956N		SERVO CONTROL ASSY
23	102X1		PIPE PLUG
24	108X4		STRAIGHT PLUG - SAE
24	788516-04		STRAIGHT PLUG - 6149
76	800599		ORIFICE PLUG
77	786635		ORIFICE FITTING

ITEM	PART NUMBER	QTY	DESCRIPTION
26			DESIGN SERIES PAVC33
16			DESIGN SERIES PAVC38

OMIT			DO NOT PAINT PUMP
P			PAINT PUMP

OMIT			USE NITRILE SEALS
------	--	--	-------------------

OMIT			
A			
C			
H			
M			
ME			
S			
SE			
AM			
CM			
HM			

REFER TO SECTION X - X  
& SECTION Y - Y  
(SHEET 4 OF 4)  
FOR LOCATION & COMBINATION  
OF ABOVE COMPONENTS

OMIT	55	108X6	1	PLUG
2	56	787054N	1	MAX. VOL. STOP VAR. 2" ASSY
5	57	787055N	1	MAX. VOL. STOP VAR. 5" ASSY

OMIT	50	786949N	1	NON-ADJ. DIFF. ASSY
4	52	786950N	1	ADJ. DIFF. ASSY

R	40	786427	1	PORT PLATE, CW
L	40	786428	1	PORT PLATE, CCW

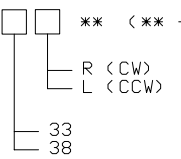
OMIT	R	80	787199	1	HSG INCH - CW
2	L	80	787571	1	HSG INCH - CCW
8	R	80	788607	1	HSG 6149 - CW
	L	80	788608	1	HSG 6149 - CCW

OMIT	38	787057	1	SHAFT-LONG-1PC ASSY
	39	22X19	1	KEY-SQUARE
B	38	787059	1	SHAFT-SPLINE-ASSY
S	38	787058	1	SHAFT-SHORT-ASSY
	39	21X12	1	KEY-WOODRUFF
OMIT	38	787601	1	SHAFT-LONG-ASSY
	39	22X19	1	KEY-SQUARE
B	38	787602	1	SHAFT-SPLINE-ASSY
S	38	787603	1	SHAFT-SHORT-ASSY
	39	21X12	1	KEY-WOODRUFF
	59	786369	1	NEEDLE BEARING
	60	786373	1	IDLER SHAFT

OMIT				MINERAL & WATER FLUIDS
------	--	--	--	------------------------

33	34	789645	1	PISTON/BARREL KIT
	35	789590	1	BARREL
38	34	789646	1	PISTON/BARREL KIT
	35	789591	1	BARREL

- NOTES:
- SEAL KIT P/N SKPAVC3326/3816
  - ROTATING GROUP KIT RRPVAVC   \*\* (\*\* - DESIGN SERIES)

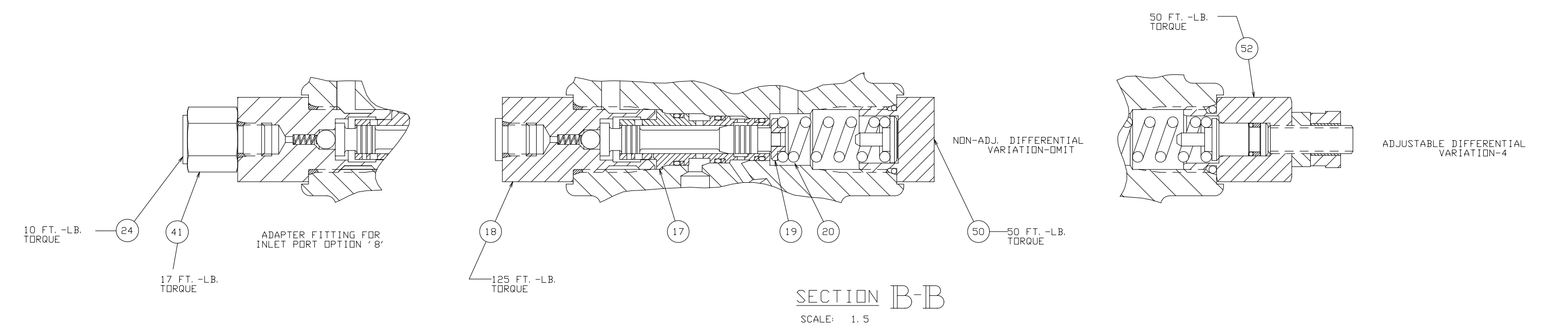
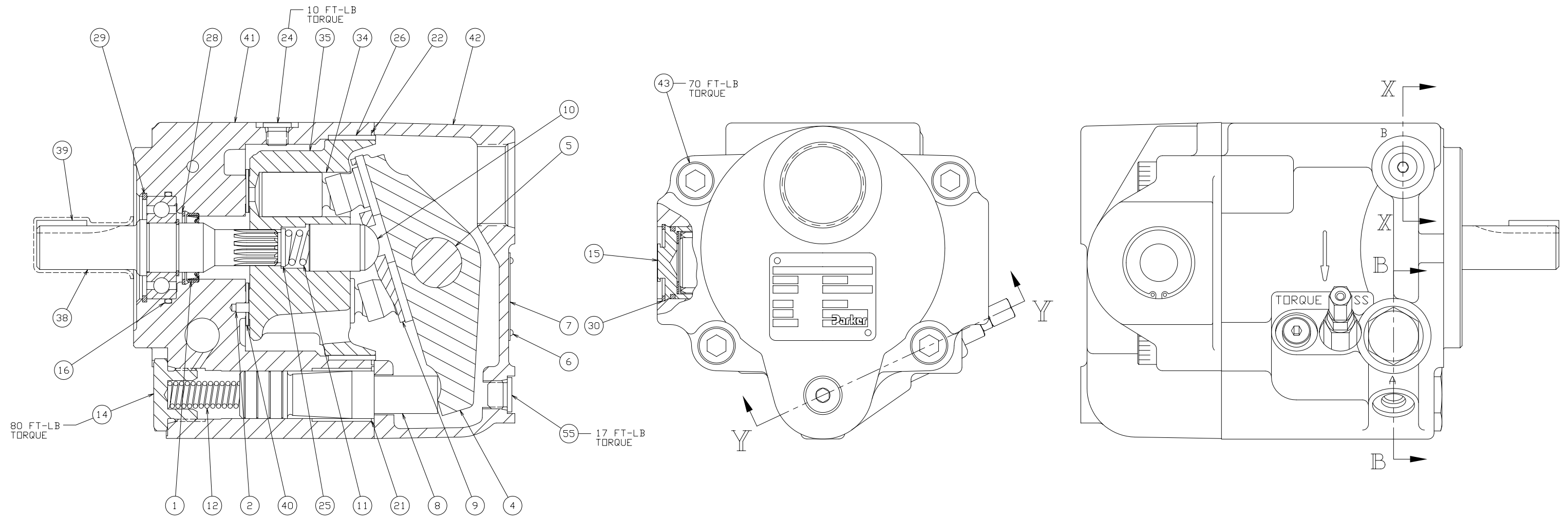


-	133987	RELEASE TO PR	EDB	26AUG03
REV	ECN NO	REVISION	CHG BY	DATE
DRAWN BY: E. D. BERRY	DATE: 26AUG03			
APPROVED: -	DATE: -			
SCALE: -				



HYDRAULIC PUMP/MOTOR DIV

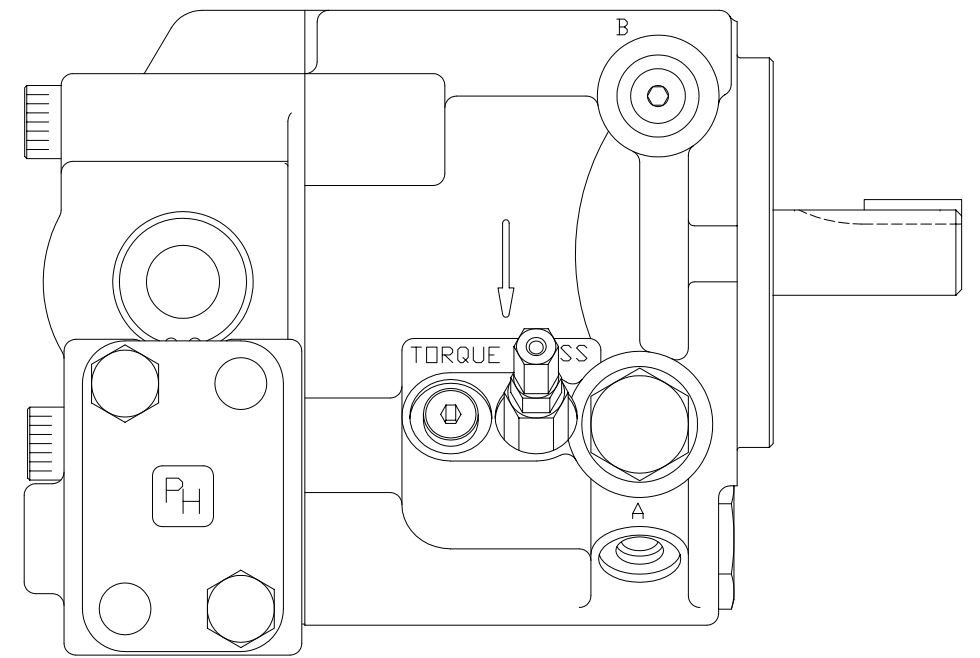
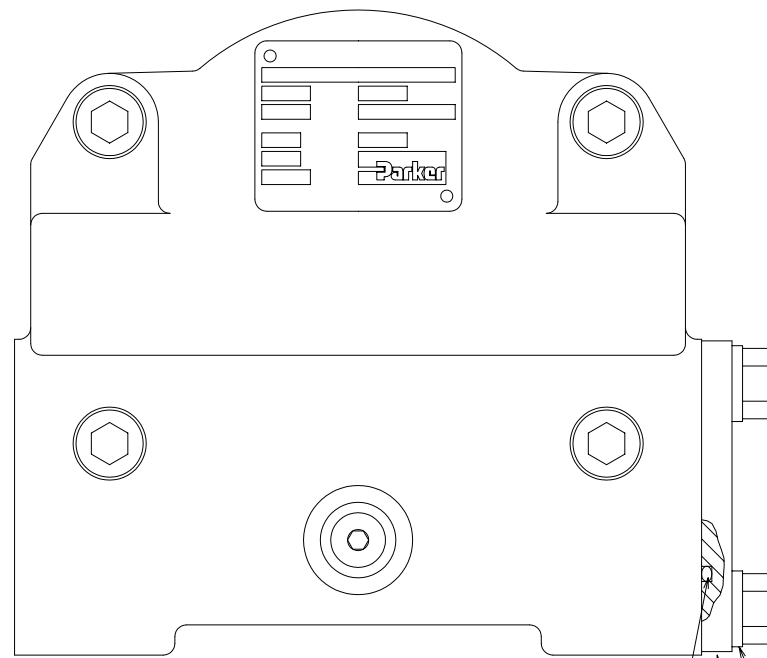
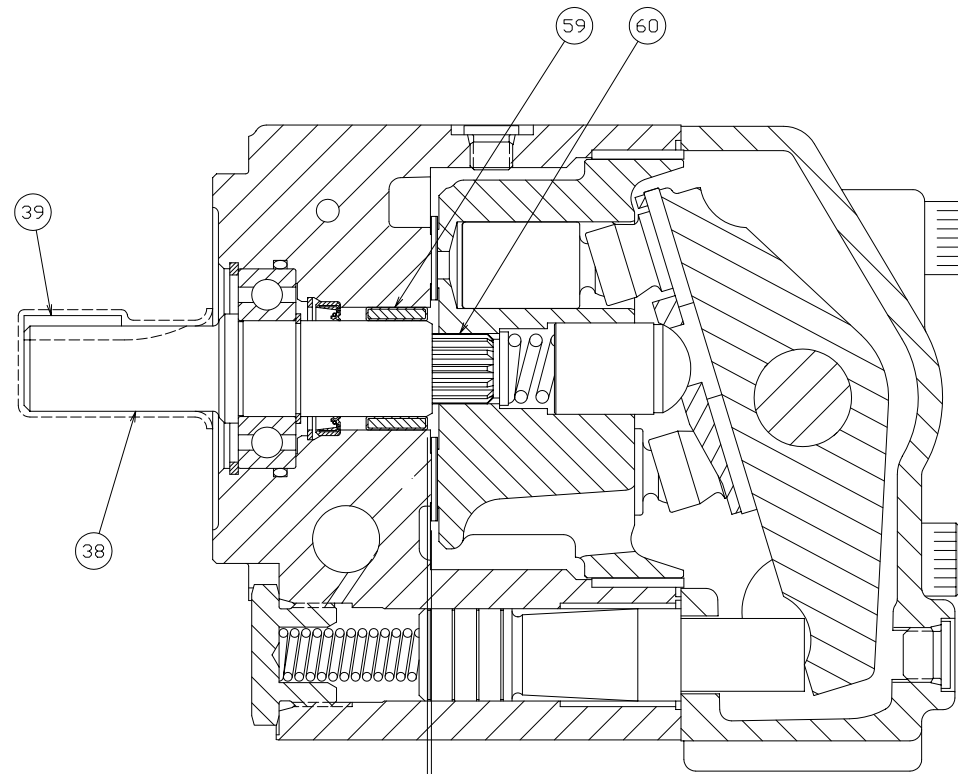
HEAT TREAT:	SUPERSEDES:	PART MUST CONFORM TO ENGR. STD'S: ESM 1000	TITLE:
-	-	ANSI STD. Y14.5-1994 APPLIES EXCEPT W/C APPLIES TO POSITIONAL TOLERANCES WHEN NO MODIFIER IS SPECIFIED.	SEVICE PARTS PAVC33/38
FINISH:	SUPERSEDED BY:	ALL DIMENSIONS ARE IN INCHES. TOLERANCE IN DECIMAL DIMENSIONS IS AS FOLLOWS, UNLESS OTHERWISE SPECIFIED:	SHEET NO:
-	-	1 PLACE (.00) ± .030	1 OF 5
		2 PLACE (.00) ± .030	SIZE: D
		3 PLACE (.000) ± .010	DRAWING NO: 789672
		ANGLES ± 2°	REV: -
			STATUS: PR



NOTES:  
 1. PUMP SHOWN IS A COUNTER CLOCKWISE ROTATION PUMP WITH THE REAR INLET PORTING OPTION. FOR CLOCKWISE ROTATION ALL PORTS AND CONTROLS WILL BE REVERSED EXCEPT THE INLET PORT.

REV	ECN NO	REVISION	CHG BY	DATE
-	-	SEE PAGE 1	-	-
DRAWN BY: E. D. BERRY		DATE: 26AUG03		
APPROVED:		DATE:		
SCALE:		-		
HYDRAULIC PUMP/MOTOR DIV				
TITLE: SEVICE PARTS PAVC33/38				
SHEET NO:	SIZE	DRAWING NO:	REV.	STATUS
2 OF 5	D	789672	-	PR

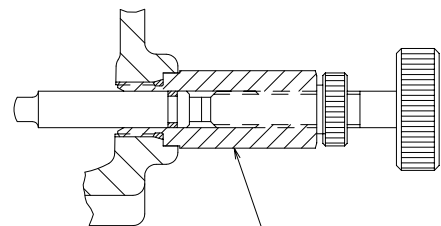
HEAT TREAT:	SUPERSEDES:	PART MUST CONFORM TO ENGR. STD'S: ESM 1000 ANST STD. Y14.5-1994 APPLIES EXCEPT MVC APPLIES TO POSITIONAL TOLERANCES WHEN NO MODIFIER IS SPECIFIED.
-	-	
FINISH:	MATERIAL:	ALL DIMENSIONS ARE IN INCHES. TOLERANCE ON DECIMAL DIMENSIONS IS AS FOLLOWS, UNLESS OTHERWISE SPECIFIED: 1 PLACE (.0) ± .060 2 PLACE (.00) ± .030 3 PLACE (.000) ± .010
-	-	ANGLES ± 2°



DUAL SHAFT BEARING  
CONFIGURATION SHOWN  
(OPTION 9)

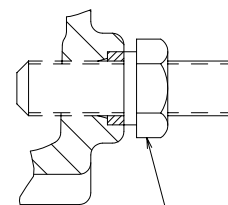
040  
060  
INSTALLED DEPTH OF  
NEEDLE BEARING, ITEM  
#59 BELOW PORT PLATE  
FACE OF HOUSING

49 48 47 46  
30 FT. -LB.  
TORQUE  
(B)



MAXIMUM VOLUME STOP  
WITH O-RING SEAL  
VARIATION-5

57  
200 IN. -LB.  
TORQUE



MAXIMUM VOLUME STOP  
VARIATION-2

56  
30 FT. -LB.  
TORQUE

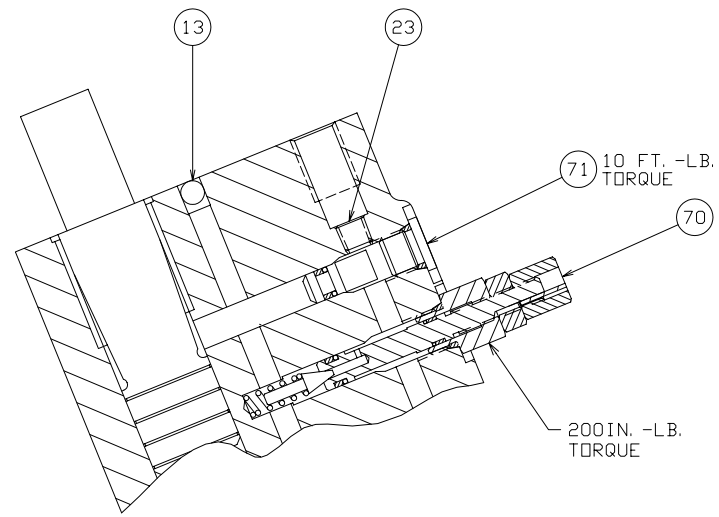
NOTES:

1. PUMP SHOWN IS A COUNTER CLOCKWISE ROTATION PUMP WITH THE SIDE INLET PORTING OPTION. FOR CLOCKWISE ROTATION PUMP THE PORTS AND CONTROLS WILL ALL BE REVERSED.
2. PUMP IS ALSO SHOWN WITH DUAL SHAFT BEARING OPTION "9" FOR WHERE SHAFT SIDE LOADS MAY OCCUR.
3. WITH SIDE INLET PORTING OPTION THERE ARE TWO INLET PORTS. ONE IS LEFT OPEN AND ONE IS COVERED. FACTORY CONFIGURATION HAS THE INLET FLANGE ON THE SAME SIDE AS THE CONTROLS COVERED. DEPENDING UPON APPLICATION IT MAY BE MORE DESIRABLE TO USE THE OTHER INLET PORT, IF SO JUST MOVE COVER TO OPPOSITE SIDE AND PLUMB TO OTHER FLANGE SURFACE.

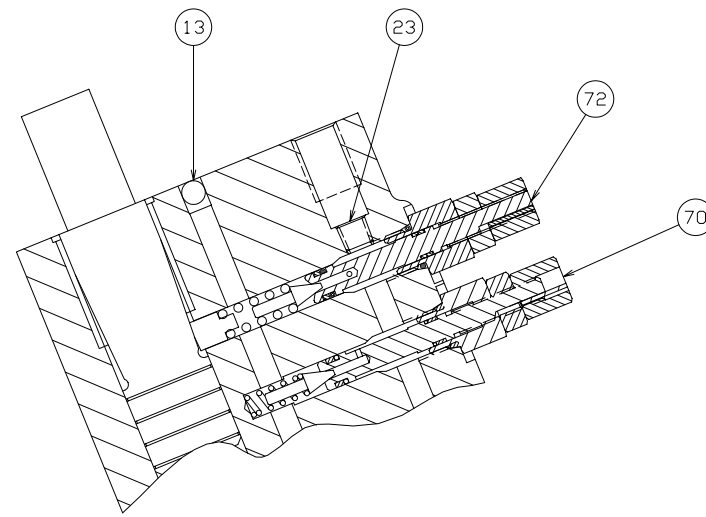
-	-	SEE SHEET 1	-	-
REV	ECN NO	REVISION	CHG BY	DATE
DRAWN BY: E. D. BERRY	DATE: 26AUG03			
APPROVED:	DATE:			
SCALE:				

HYDRAULIC  
PUMP/MOTOR DIV

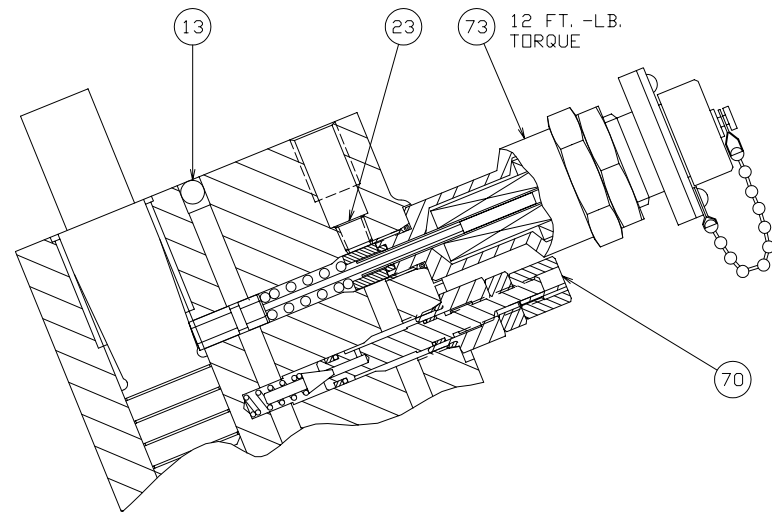
HEAT TREAT:	SUPERSEDES:	PART MUST CONFORM TO ENGR. STD'S: ESM 1000 ANST. STD. Y14.5-1994 APPLIES EXCEPT WHC APPLIES TO POSITIONAL TOLERANCES WHEN NO MODIFIER IS SPECIFIED.	TITLE: SEVICE PARTS PAVC33/38
-	-	ALL DIMENSIONS ARE IN INCHES. TOLERANCE ON DECIMAL DIMENSIONS IS AS FOLLOWS, UNLESS OTHERWISE SPECIFIED:	SHEET NO: 3 OF 5
FINISH:	MATERIAL:	1 PLACE (.01) ± .060 2 PLACE (.00) ± .030 3 PLACE (.000) ± .010	SIZE: D
-	-	ANGLES ± 2°	DRAWING NO: 789672
			REV. STATUS: - PR



CONTROL OPTION OMIT, A, M, ME & AM  
SECTION Y-Y



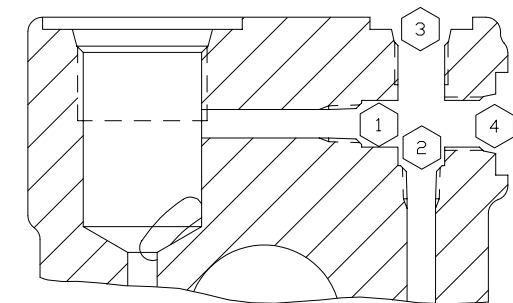
CONTROL OPTION H, C, HM & CM  
SECTION Y-Y



CONTROL OPTION S & SE  
SECTION Y-Y

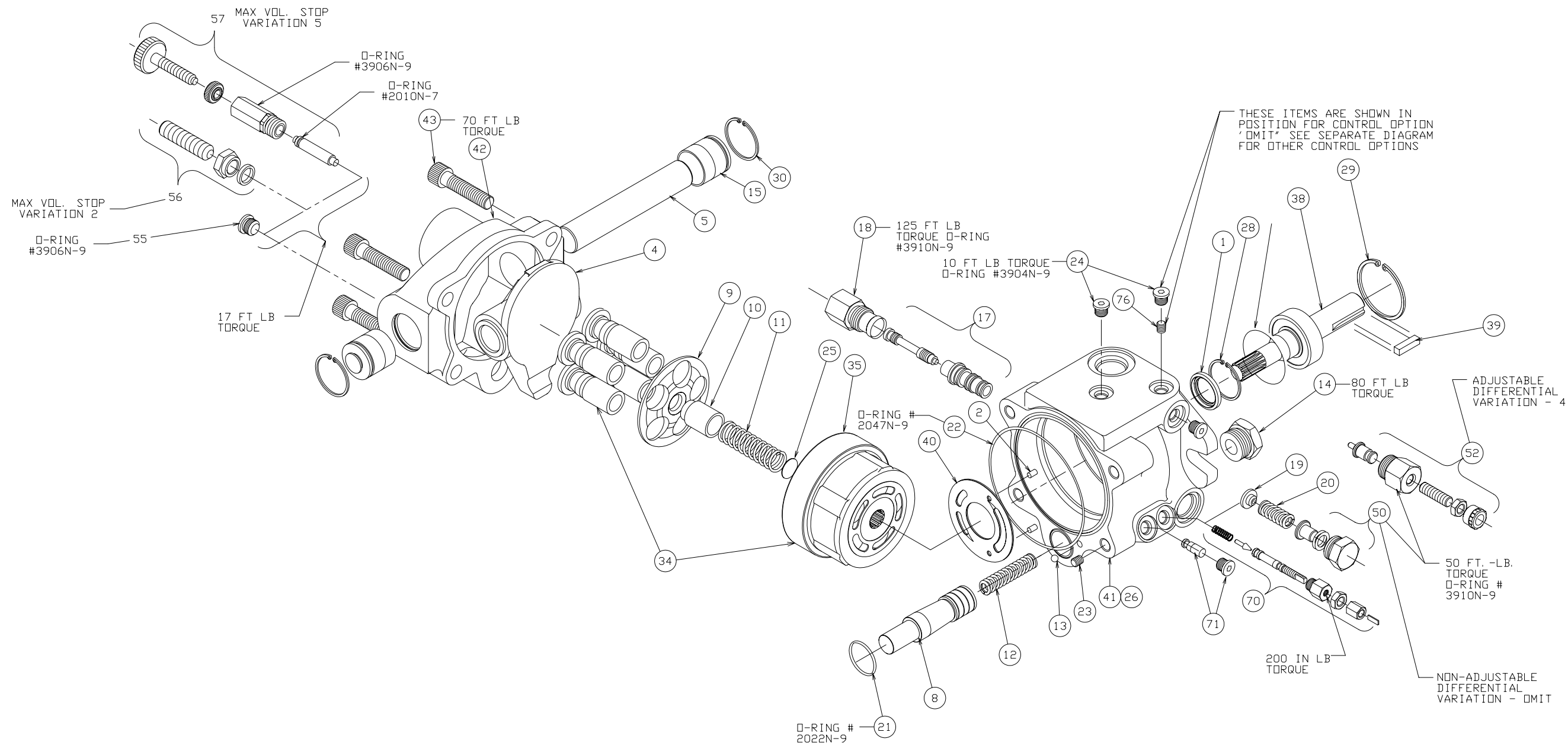
CONTROL OPTION	POSITION			
	1	2	3	4
OMIT	OPEN	800599	108X4	108X4
A	102X1	800599	OPEN	108X4
C	102X1	800599	OPEN	108X4
H	OPEN	800599	108X4	108X4
M	800599	OPEN	OPEN	108X4
ME	102X1	800599	OPEN	108X4
S	800599	OPEN	OPEN	108X4
SE	102X1	800599	OPEN	108X4
AM	102X1	800599	786635	OPEN
CM	102X1	800599	786635	OPEN
HM	800599	OPEN	OPEN	108X4

FOR INLET PORT OPTION '8'  
SAE STRAIGHT THREAD PLUGS (108X4)  
ARE REPLACED WITH ISO6149 STRAIGHT  
THREAD PLUGS (788516-04)



SECTION X-X

REV	ECN NO	REVISION	CHG BY	DATE
-	-	SEE SHEET 1	-	-
DRAWN BY: E. D. BERRY		DATE: 26AUG03		
APPROVED:		DATE:		
SCALE:		-		
HYDRAULIC PUMP/MOTOR DIV				
TITLE: SEVICE PARTS PAVC33/38				
HEAT TREAT:	SUPERSEDES:	PART MUST CONFORM TO ENGR. STD'S: ESM 1000		
-	-	ANSI STD. Y14.5-1994 APPLIES EXCEPT		
SUPERSEDED BY:		MVC APPLIES TO POSITIONAL TOLERANCES		
-		WHEN NO MODIFIER IS SPECIFIED.		
MATERIAL:		ALL DIMENSIONS ARE IN INCHES.		
-		TOLERANCE IN DECIMAL DIMENSIONS IS AS		
-		FOLLOWS, UNLESS OTHERWISE SPECIFIED:		
-		1 PLACE (.01) ± .060		
-		2 PLACE (.00) ± .030		
-		3 PLACE (.000) ± .010		
-		ANGLES ± 2°		
SHEET NO:	SIZE	DRAWING NO:	REV.	STATUS
4 OF 5	D	789672	-	PR



REV	ECN NO	REVISION	CHG BY	DATE
-	-	SEE SHEET 1	-	-
DRAWN BY: E. D. BERRY		DATE: 26AUG03		
APPROVED:		DATE:		
SCALE:				
HYDRAULIC PUMP/MOTOR DIV				
TITLE: SEVICE PARTS PAVC33/38				
HEAT TREAT:	SUPERSEDES:	PART MUST CONFORM TO ENGR. STD'S: ESM 1000		
-	-	ANSI STD. Y14.5-1994 APPLIES EXCEPT		
	SUPERSEDED BY:	MVC APPLIES TO POSITIONAL TOLERANCES		
	-	WHEN NO MODIFIER IS SPECIFIED.		
FINISH:	MATERIAL:	ALL DIMENSIONS ARE IN INCHES		
-	-	TOLERANCE ON DECIMAL DIMENSIONS IS AS		
		FOLLOWS, UNLESS OTHERWISE SPECIFIED:		
		1 PLACE (.00) ± .030		
		2 PLACE (.00) ± .030		
		3 PLACE (.000) ± .010		
		ANGLES ± 2°		
SHEET NO:	SIZE	DRAWING NO.	REV.	STATUS
5 OF 5	D	789672	-	PR