

ITEM	PART NUMBER	QTY	DESCRIPTION
1	745761	1	SHAFT SEAL
2	785396	2	PIN - PORT PLATE
3			
4	786174	1	SWASH PLATE
5	766094	1	TRUNNION PIN
6	39X10	2	DRIVE SCREW
7	800511	1	NAME PLATE
8	786170	1	SERVO PISTON
9	786886	1	SLIPPER RETAINER
10	785767	1	BALL SEAT
11	788205	1	SPRING-BARREL
12	MA786380	1	SPRING-SERVO
13	98X16	1	BALL
14	787060N	1	PLUG-SERVO ASSY
15	787061N	2	TRUNNION CAP ASSY
16	2137N-7	1	O-RING
17	787056N	1	SPOOL & SLEEVE ASSY
18	786946N	1	AIRBLEED ASSY
19	786116	1	RETAINER-SPRING
20	786113	1	SPRING-MOD.
21	2022N-9	1	O-RING
22	2047N-9	1	O-RING
23	102X1	1	PLUG
25	786280	1	RETAINER
26	786887	1	BARREL BUSHING
27			
28	56X317	1	SNAP RING
29	56X327	1	SNAP RING
30	56X318	2	SNAP RING

ITEM	PART NUMBER	QTY	DESCRIPTION
OMIT	42	789533	1 TRUNNION HSG. (C)
	43	10X295	4 CAP SCREW
	24	108X4	1 PLUG - SAE
	42	786824	1 TRUNNION HSG - INCH
	43	10X299	4 CAP SCREW
2	46	12X275	2 SCREW HEX HEAD
	47	36X10	2 LOCKWASHER
	48	735125	1 FLANGE
	49	2222N-7	1 O-RING
	24	108X4	1 PLUG - SAE
	42	788609	1 TRUNNION HSG - 6149
	43	10X299	4 CAP SCREW
8	46	212X205	2 SCREW HEX HEAD - METRIC
	47	36X10	2 LOCKWASHER
	48	735125	1 FLANGE
	49	2222N-7	1 O-RING
	41	788517	1 ADAPTER FITTING
	24	788516-04	1 PLUG - 6149

ITEM	PART NUMBER	QTY	DESCRIPTION
70	786952N		PRESS COMP. ASSY
71	786953N		TORQUE PLUG ASSY
72	786951N		TORQUE CONTROL ASSY
73	786956N		SERVO CONTROL ASSY
23	102X1		PIPE PLUG
24	108X4		STRAIGHT PLUG - SAE
24	788516-04		STRAIGHT PLUG - 6149
76	800599		ORIFICE PLUG
77	786635		ORIFICE FITTING
OMIT			
A			
C			
H			
M			
ME			
S			
SE			
AM			
CM			
HM			

ITEM	PART NUMBER	QTY	DESCRIPTION
25			DESIGN SERIES PAVC33
15			DESIGN SERIES PAVC38

OMIT			DO NOT PAINT PUMP (A)
P			PAINT PUMP

OMIT USE NITRILE SEALS

REFER TO SECTION X - X
& SECTION Y - Y
(SHEET 4 OF 4)
FOR LOCATION & COMBINATION
OF ABOVE COMPONENTS

OMIT	55	108X6	1 PLUG
2	56	787054N	1 MAX. VOL. STOP VAR. 2" ASSY
5	57	787055N	1 MAX. VOL. STOP VAR. 5" ASSY

OMIT	50	786949N	1 NON-ADJ. DIFF. ASSY
4	52	786950N	1 ADJ. DIFF. ASSY

R	40	786427	1 PORT PLATE, CW
L	40	786428	1 PORT PLATE, CCW

OMIT	R	80	MD787199	1 HSG INCH - CW
2	L	80	MD787571	1 HSG INCH - CCW
8	R	80	MD788607	1 HSG 6149 - CW (A)
	L	80	MD788608	1 HSG 6149 - CCW

OMIT	38	787057	1 SHAFT-LONG-IPC ASSY
	39	22X19	1 KEY-SQUARE
B	38	787059	1 SHAFT-SPLINE-ASSY
S	38	787058	1 SHAFT-SHORT-ASSY
	39	21X12	1 KEY-WOODRUFF
OMIT	38	787601	1 SHAFT-LONG-ASSY
	39	22X19	1 KEY-SQUARE
B	38	787602	1 SHAFT-SPLINE-ASSY
S	38	787603	1 SHAFT-SHORT-ASSY
	39	21X12	1 KEY-WOODRUFF
9	59	786369	1 NEEDLE BEARING
	60	786373	1 IDLER SHAFT

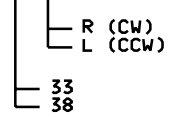
OMIT MINERAL & WATER FLUIDS

33	34	787981	5 PISTON ASSEMBLY
	35	785394	1 BARREL
38	34	787982	5 PISTON ASSEMBLY
	35	786310	1 BARREL

(B)

(A)

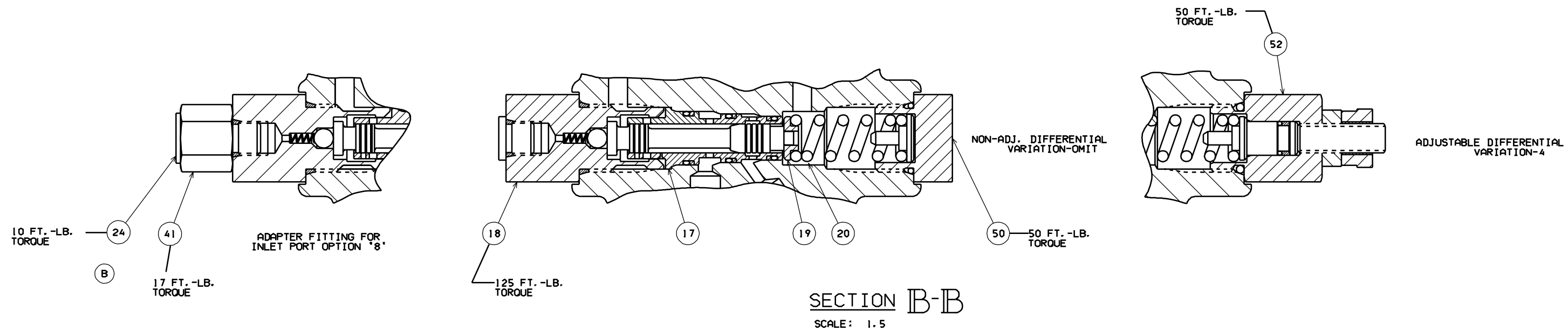
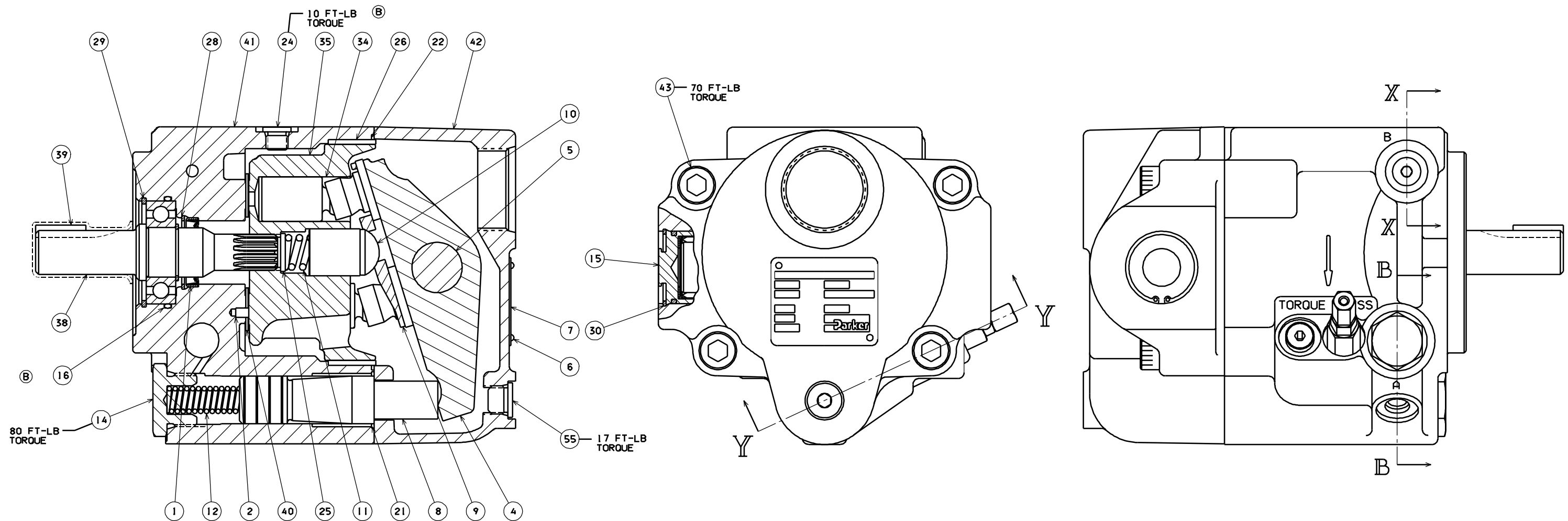
- NOTES:
- SEAL KIT P/N SKPAVC33** FOR PAVC33
SEAL KIT P/N SKPAVC38** FOR PAVC38
(** - DESIGN SERIES)
 - ROTATING GROUP KIT RRPVAVC ** (** - DESIGN SERIES)



C	133712	789533 WAS 786514	BJS	11/14/02
B	131822	SEE ECN	MDC	7/8/98
A	131037	ADD OPTION "8"	BDL	1/14/97
-	130379	RELEASE TO PR	LCB	3/7/95
REV	ECR NO	REVISION	CHG BY	DATE
DRAWN BY:	DATE:	8/1/90		
APP'D BY:	DATE:			
SCALE:				



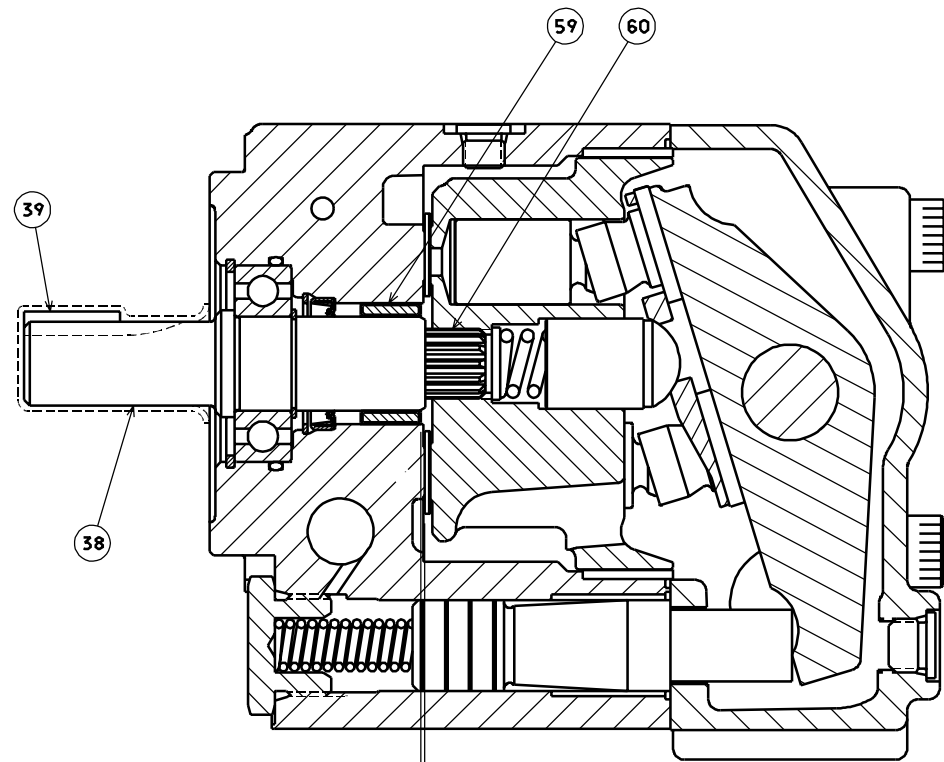
HEAT TREAT:	SUPERSEDES:	PART MUST CONFORM TO ENGR. STD S: ES-M 1000	TITLE:
FINISH:	SUPERSEDED BY:	DIMENSIONS ARE IN INCHES TOL. ON DEC. DIM'S. UNLESS OTHERWISE SPECIFIED:	SERVICE PARTS - PAVC33 & 38
	MATERIAL:	1 PLACE (.03) ± .050	SHEET 1 OF 5
		2 PLACE (.00) ± .030	DRAWING NO. MD788266
		3 PLACE (.000) ± .010	REV. STATUS
		ANGLES 1/2°	C PR



SECTION B-B
SCALE: 1.5

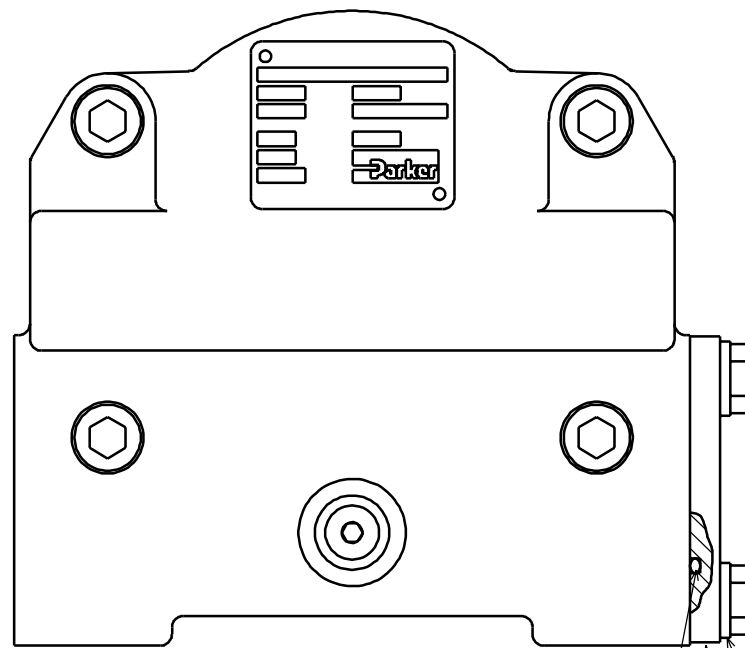
NOTES:
1. PUMP SHOWN IS A COUNTER CLOCKWISE ROTATION PUMP WITH THE REAR INLET PORTING OPTION. FOR CLOCKWISE ROTATION ALL PORTS AND CONTROLS WILL BE REVERSED EXCEPT THE INLET PORT.

SEE SHEET 1			
REV	ECR NO	REVISION	CHG BY DATE
DRAWN BY: L. BOSS	DATE: 8/2/90	Parker FLUIDPOWER PUMP DIVISION	
APP'D BY:	DATE:	SCALE: FULL	
PART MUST CONFORM TO ENGR. STD'S: ES-M 1000		TITLE: SERVICE PARTS - PAVC33/38	
DIMENSIONS ARE IN INCHES TOL. ON DEC. DIM'S. UNLESS OTHERWISE SPECIFIED:		DRAWING NO. MD788266	
1 PLACE (.03) ± .050		REV. C	
2 PLACE (.00) ± .030		STATUS PR	
3 PLACE (.000) ± .010		SHEET 2 OF 5	
ANGLES 1/2°			

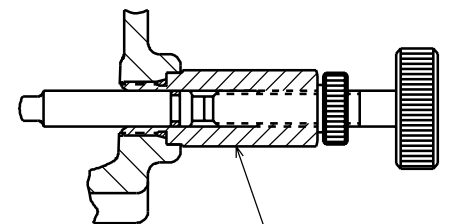
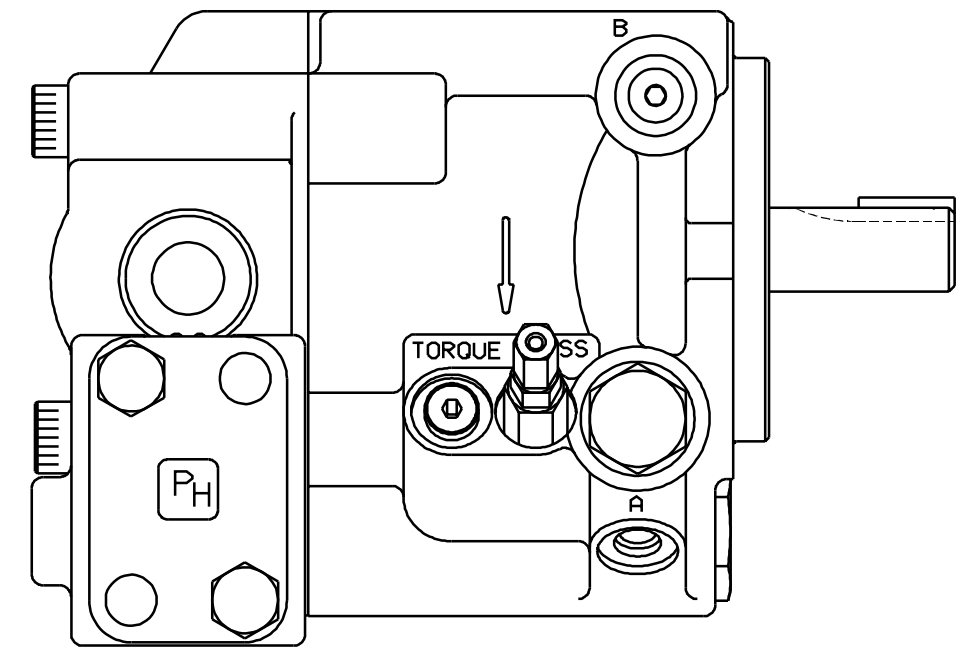


DUAL SHAFT BEARING CONFIGURATION SHOWN (OPTION 9)

.040
.060
INSTALLED DEPTH OF NEEDLE BEARING, ITEM #59 BELOW PORT PLATE FACE OF HOUSING

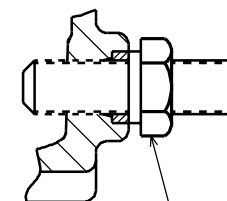


49 48 47 46 — 30 FT.-LB. TORQUE (B)



MAXIMUM VOLUME STOP WITH O-RING SEAL VARIATION-5

17 FT.-LB. TORQUE



MAXIMUM VOLUME STOP VARIATION-2

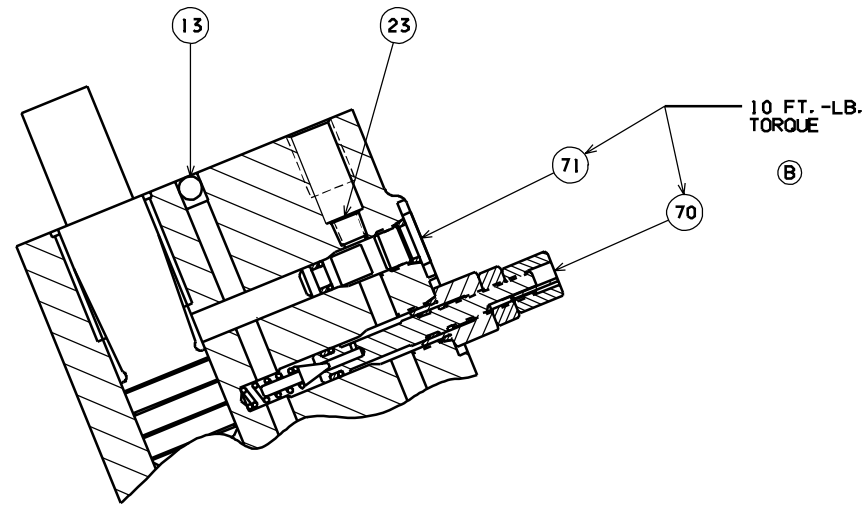
30 FT.-LB. TORQUE

NOTES:

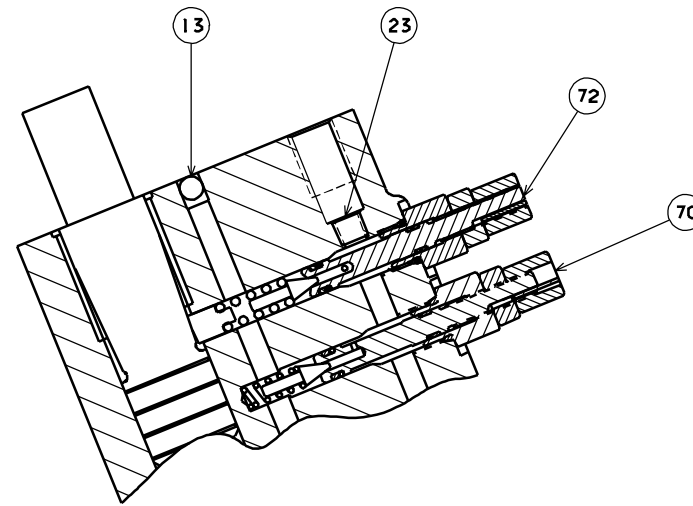
1. PUMP SHOWN IS A CONTER CLOCKWISE ROTATION PUMP WITH THE SIDE INLET PORTING OPTION. FOR CLOCKWISE ROTATION PUMP THE PORTS AND CONTROLS WILL ALL BE REVERSED.
2. PUMP IS ALSO SHOWN WITH DUAL SHAFT BEARING OPTION "9" FOR WHERE SHAFT SIDE LOADS MAY OCCUR.
3. WITH SIDE INLET PORTING OPTION THERE ARE TWO INLET PORTS. ONE IS LEFT OPEN AND ONE IS COVERED. FACTORY CONFIGURATION HAS THE INLET FLANGE ON THE SAME SIDE AS THE CONTROLS COVERED. DEPENDING UPON APPLICATION IT MAY BE MORE DESIRABLE TO USE THE OTHER INLET PORT. IF SO JUST MOVE COVER TO OPPOSITE SIDE AND PLUMB TO OTHER FLANGE SURFACE.

SEE SHEET 1			
REV	ECR NO	REVISION	CHG BY DATE
DRWN BY: L. BASS	DATE: 8/2/90	Parker FLUIDPOWER PUMP DIVISION	
APP'D BY:	DATE:	SCALE: FULL	
TITLE: SERVICE PARTS - PAVC33/38		DRWING NO. MD788266	REV. STATUS C PR
SHEET 3 OF 5			

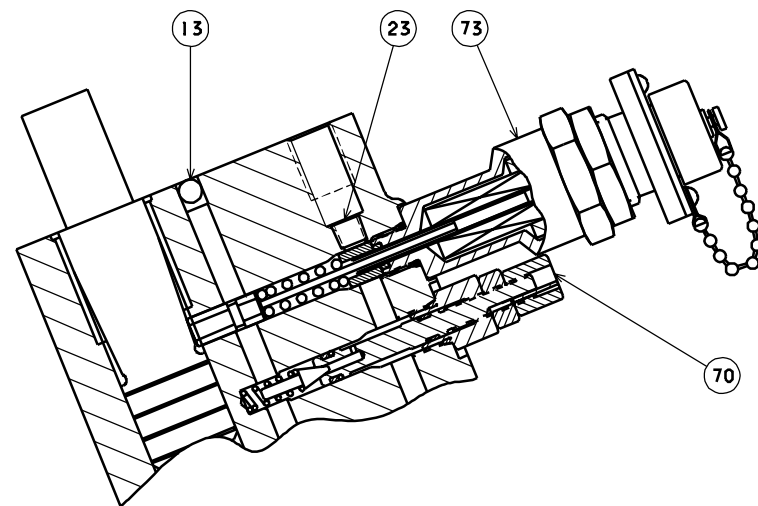
HEAT TREAT:	SUPERSEDES:	PART MUST CONFORM TO ENGR. STD'S: ES-M 1000
FINISH:	SUPERSEDED BY:	DIMENSIONS ARE IN INCHES TOL. ON DEC. DIM'S. UNLESS OTHERWISE SPECIFIED:
	MATERIAL:	1 PLACE (.03) ± .050 2 PLACE (.00) ± .030 3 PLACE (.000) ± .010 ANGLES 1/2"



CONTROL OPTION OMIT, A, M, ME & AM
SECTION Y-Y



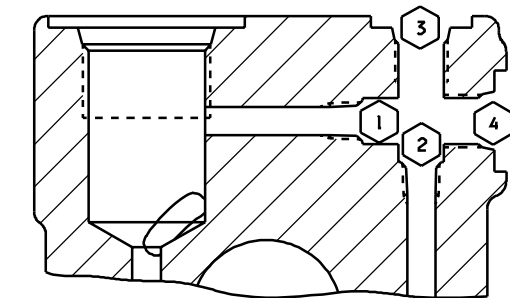
CONTROL OPTION H, C, HM & CM
SECTION Y-Y



CONTROL OPTION S & SE
SECTION Y-Y

POSITION				
CONTROL OPTION	1	2	3	4
OMIT	OPEN	800599	108X4	108X4
A	102X1	800599	OPEN	108X4
C	102X1	800599	OPEN	108X4
H	OPEN	800599	108X4	108X4
M	800599	OPEN	OPEN	108X4
ME	102X1	800599	OPEN	108X4
S	800599	OPEN	OPEN	108X4
SE	102X1	800599	OPEN	108X4
AM	102X1	800599	786635	OPEN
CM	102X1	800599	786635	OPEN
HM	800599	OPEN	OPEN	108X4

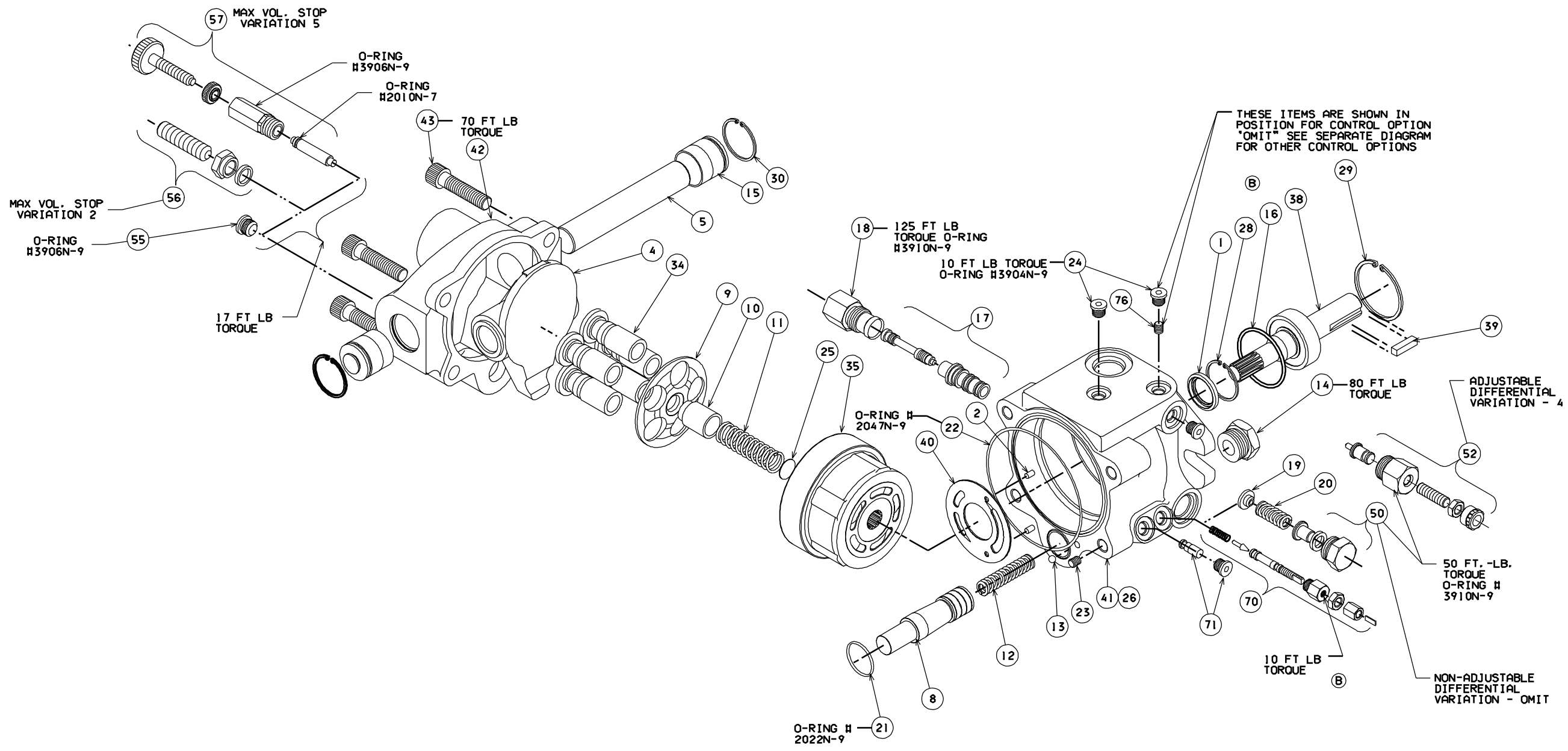
FOR INLET PORT OPTION 'S'
SAE STRAIGHT THREAD PLUGS (108X4)
ARE REPLACED WITH ISO6149 STRAIGHT
THREAD PLUGS (788516-04)



SECTION X-X

SEE SHEET 1			
REV	ECR NO	REVISION	CHG BY DATE
DRAWN BY: L. BOSS	DATE: 8/2/90	Parker FLUIDPOWER PUMP DIVISION	
APP'D BY:	DATE:	SCALE: FULL	
TITLE: SERVICE PARTS - PAVC33/38		DRAWING NO. MD788266	REV. STATUS C PR

HEAT TREAT:	SUPERSEDES:	PART MUST CONFORM TO ENGR. STD S: ES-M 1000
FINISH:	SUPERSEDED BY:	DIMENSIONS ARE IN INCHES TOL. ON DEC. DIM'S. UNLESS OTHERWISE SPECIFIED:
	MATERIAL:	1 PLACE (.03) ± .050 2 PLACE (.00) ± .030 3 PLACE (.000) ± .010 ANGLES 1°



SEE SHEET 1			
REV	ECR NO	REVISION	CHG BY DATE
DRAWN BY:	DATE:		
L. BOSS	1/24/95		
CHK PLUS:	DATE:		
SCALE:	1/2		
		HYDRAULIC PUMP/MOTOR DIV	
TITLE: SERVICE PARTS - PAVC33 & 38			
SHEET 5 OF 5		DRAWING NO. MD788266	REV. STATUS C PR

HEAT TREAT:	SUPERSEDES:	PART MUST CONFORM TO ENGR. STD S: ES-M 1000 DIMENSIONS ARE IN INCHES TOL. ON DEC. DIM'S. UNLESS OTHERWISE SPECIFIED:
FINISH:	SUPERSEDED BY:	
	MATERIAL:	1 PLACE (.03) ± .050 2 PLACE (.00) ± .030 3 PLACE (.000) ± .010 ANGLES: 2°