

ITEM	PART NUMBER	QTY	DESCRIPTION
1	745761	1	SHAFT SEAL
2	785396	2	PIN - PORT PLATE
3			
4	786174	1	SWASH PLATE
5	766094	1	TRUNNION PIN
6	39X10	2	DRIVE SCREW
7	800511	1	NAME PLATE
8	786170	1	SERVO PISTON
9	786886	1	SLIPPER RETAINER
10	785767	1	BALL SEAT
11	788205	1	SPRING-BARREL
12	786380	1	SPRING-SERVO
13	98X16	1	BALL
14	787060N	1	PLUG-SERVO ASSY
15	787061N	2	TRUNNION CAP ASSY
16	2137N-7	1	O-RING
17	787056N	1	SPOOL & SLEEVE ASSY
18	786946N	1	AIRBLEED ASSY
19	786116	1	RETAINER-SPRING
20	786113	1	SPRING-MOD.
21	2022N-9	1	O-RING
22	2047N-9	1	O-RING
23	102X1	1	PLUG
25	786280	1	RETAINER
26	786887	1	BARREL BUSHING
27			
28	56X317	1	SNAP RING
29	56X327	1	SNAP RING
30	56X318	2	SNAP RING

ITEM	PART NUMBER	QTY	DESCRIPTION
42	789533	1	TRUNNION HSG.
43	10X295	4	CAP SCREW
24	108X4	1	PLUG - SAE
42	786824	1	TRUNNION HSG - INCH
43	10X299	4	CAP SCREW
46	12X275	2	SCREW HEX HEAD
47	36X10	2	LOCKWASHER
48	735125	1	FLANGE
49	2222N-7	1	O-RING
24	108X4	1	PLUG - SAE
42	788609	1	TRUNNION HSG - 6149
43	10X299	4	CAP SCREW
46	212X205	2	SCREW HEX HEAD - METRIC
47	36X10	2	LOCKWASHER
48	735125	1	FLANGE
49	2222N-7	1	O-RING
41	788517	1	ADAPTER FITTING
24	788516-04	1	PLUG - 6149

ITEM	PART NUMBER	QTY	DESCRIPTION
70	786952N		PRESS COMP. ASSY
71	786953N		TORQUE PLUG ASSY
72	786951N		TORQUE CONTROL ASSY
73	786956N		SERVO CONTROL ASSY
23	102X1		PIPE PLUG
24	108X4		STRAIGHT PLUG - SAE
24	788516-04		STRAIGHT PLUG - 6149
76	800599		ORIFICE PLUG
77	786635		ORIFICE FITTING

REFER TO SECTION X - X
& SECTION Y - Y
(SHEET 4 OF 4)
FOR LOCATION & COMBINATION
OF ABOVE COMPONENTS

ITEM	PART NUMBER	QTY	DESCRIPTION
26			DESIGN SERIES PAVC33
16			DESIGN SERIES PAVC38

OMIT			DO NOT PAINT PUMP
P			PAINT PUMP

OMIT			USE NITRILE SEALS
------	--	--	-------------------

ITEM	PART NUMBER	QTY	DESCRIPTION
38	787057	1	SHAFT-LONG-1PC ASSY
39	22X19	1	KEY-SQUARE
B	38	787059	SHAFT-SPLINE-ASSY
S	38	787058	SHAFT-SHORT-ASSY
S	39	21X12	KEY-WOODRUFF
38	787601	1	SHAFT-LONG-ASSY
39	22X19	1	KEY-SQUARE
B	38	787602	SHAFT-SPLINE-ASSY
S	38	787603	SHAFT-SHORT-ASSY
S	39	21X12	KEY-WOODRUFF
59	786369	1	NEEDLE BEARING
60	786373	1	IDLER SHAFT

55	108X6	1	PLUG	
2	56	787054N	1	MAX. VOL. STOP VAR. 2" ASSY
5	57	787055N	1	MAX. VOL. STOP VAR. 5" ASSY

50	786949N	1	NON-ADJ. DIFF. ASSY	
4	52	786950N	1	ADJ. DIFF. ASSY

R	40	786427	1	PORT PLATE, CW
L	40	786428	1	PORT PLATE, CCW

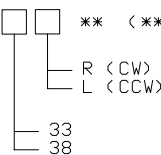
R	80	787199	1	HSG INCH - CW
L	80	787571	1	HSG INCH - CCW
R	80	788607	1	HSG 6149 - CW
L	80	788608	1	HSG 6149 - CCW

OMIT			MINERAL & WATER FLUIDS
------	--	--	------------------------

34	789645	1	PISTON/BARREL KIT
35	789590	1	BARREL
34	789646	1	PISTON/BARREL KIT
35	789591	1	BARREL

NOTES:

- SEAL KIT P/N SKPAVC3326/3816
- ROTATING GROUP KIT RRPVAVC ****** (** - DESIGN SERIES)

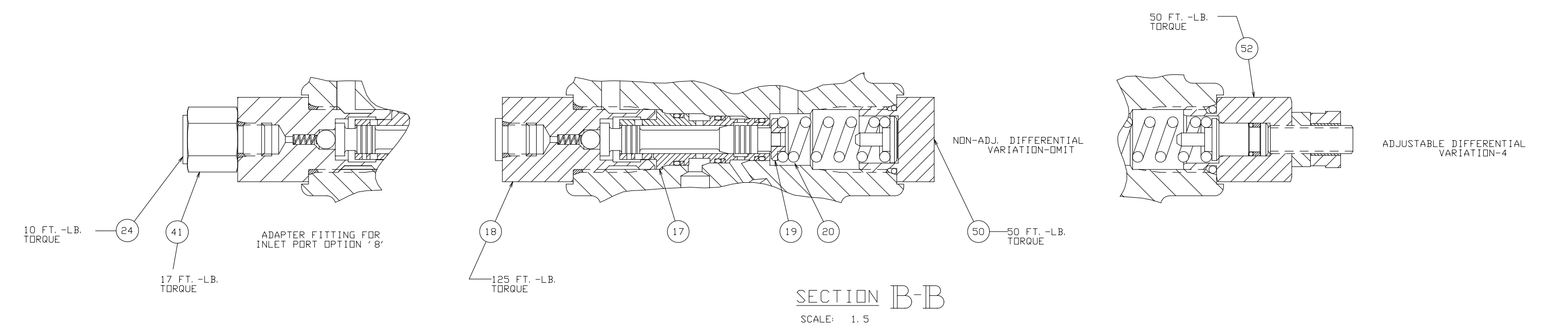
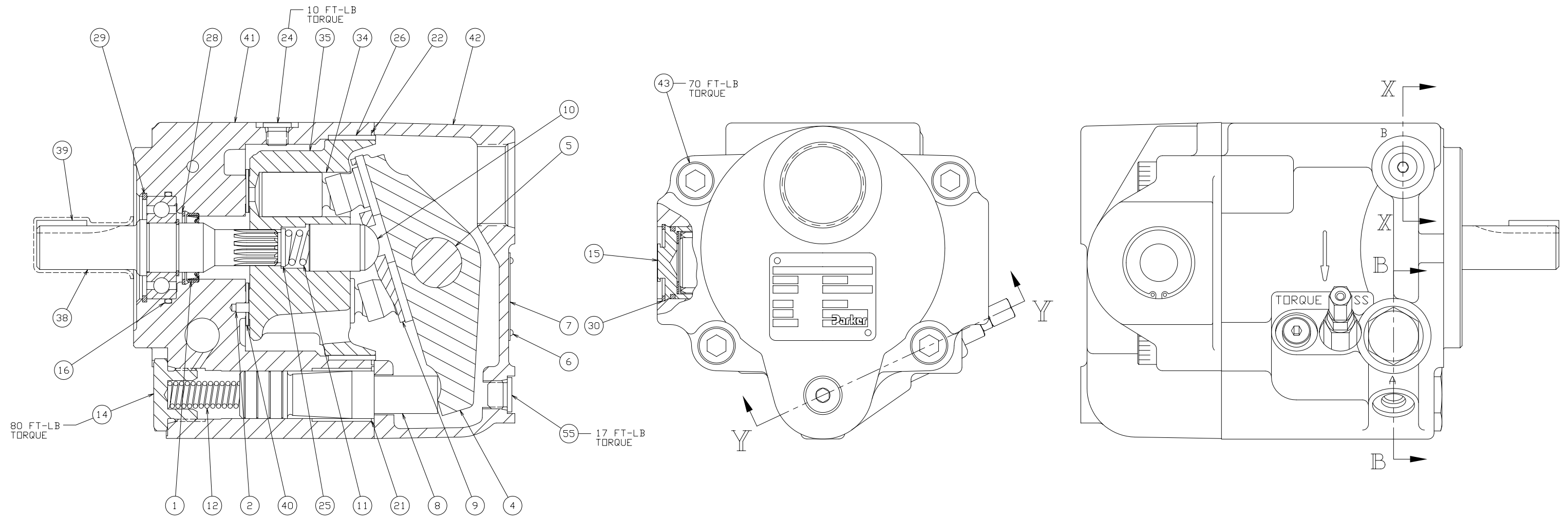


REV	ECN NO	REVISION	CHG BY	DATE
-	133987	RELEASE TO PR	EDB	26AUG03
DRAWN BY: E. D. BERRY		DATE: 26AUG03		
APPROVED: -		DATE: -		
SCALE: -		-		



HYDRAULIC
PUMP/MOTOR DIV

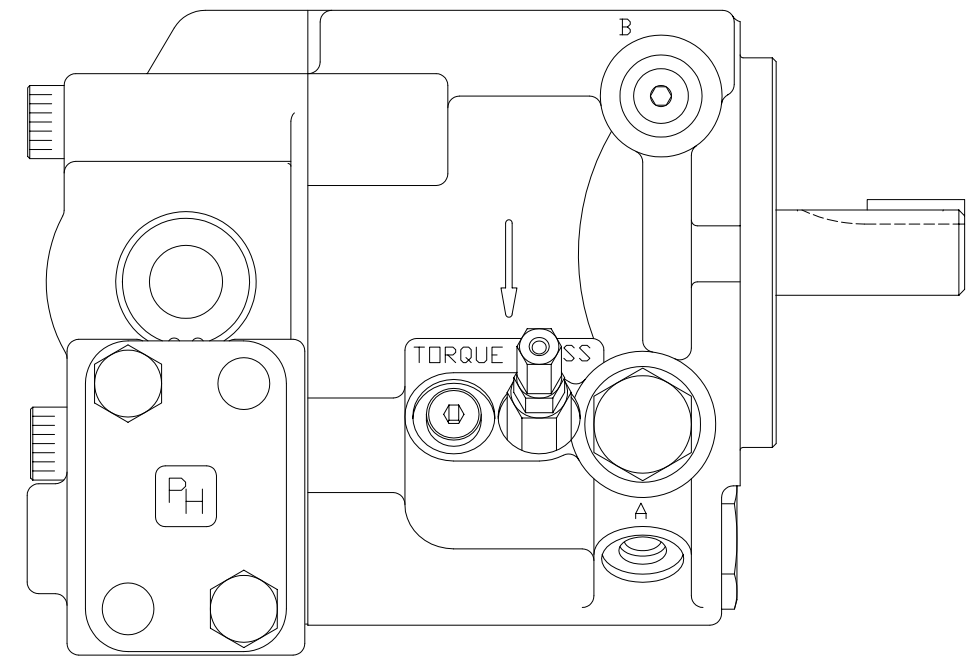
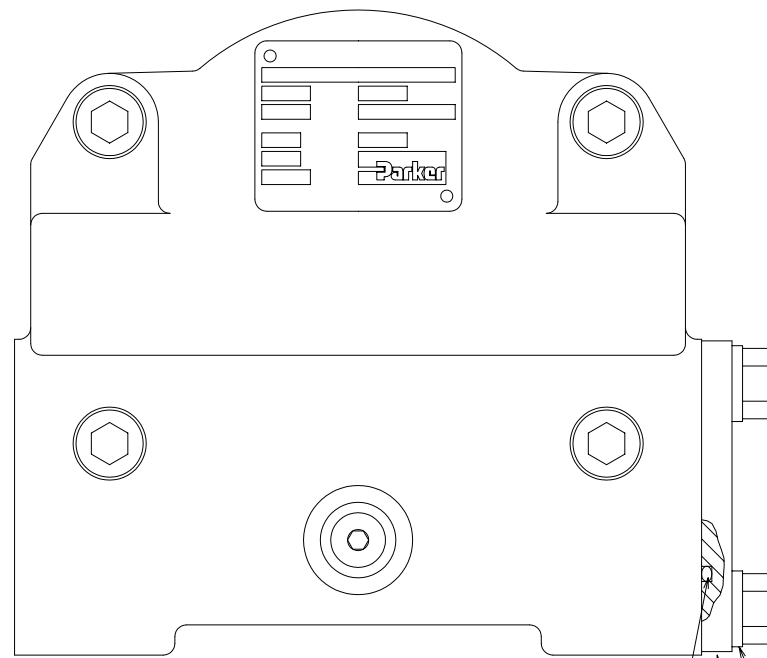
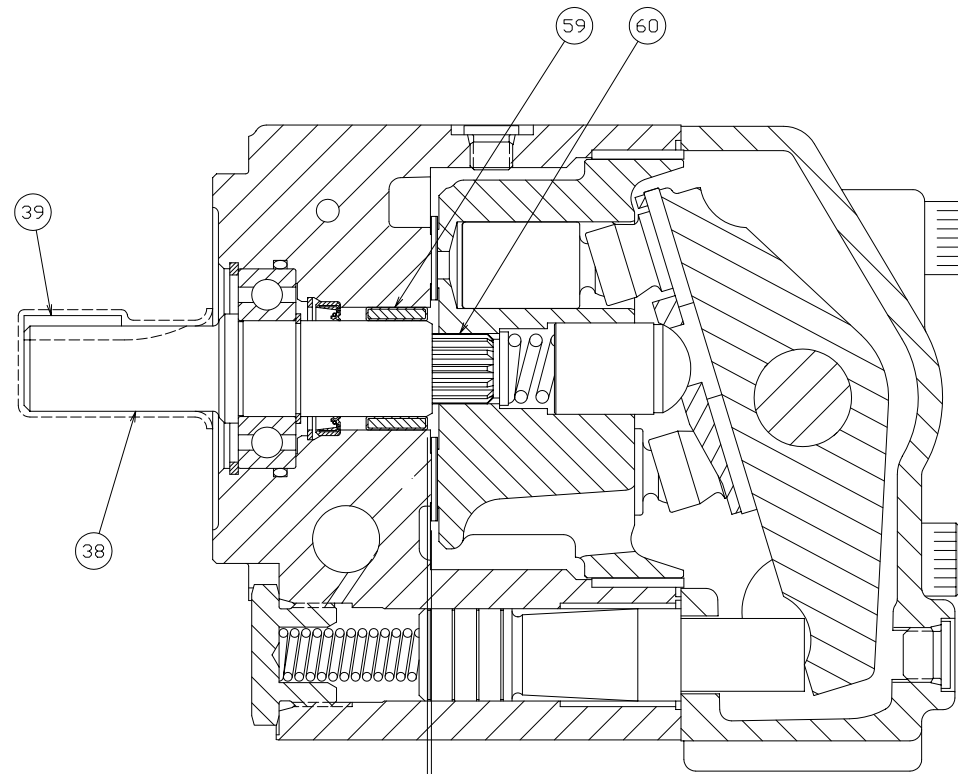
HEAT TREAT:	SUPERSEDES:	PART MUST CONFORM TO ENGR. STD'S: ESM 1000	TITLE: SEVICE PARTS PAVC33/38	
-	-	ANSI STD. Y14.5-1994 APPLIES EXCEPT	SHEET NO:	1 OF 5
		MVC APPLIES TO POSITIONAL TOLERANCES	SIZE:	D
		WHEN NO MODIFIER IS SPECIFIED.	DRAWING NO:	789672
		ALL DIMENSIONS ARE IN INCHES.	REV:	-
		TOLERANCE UNLESS OTHERWISE SPECIFIED:	STATUS:	PR
		1 PLACE (.00) ± .030		
		2 PLACE (.00) ± .030		
		3 PLACE (.000) ± .010		
		ANGLES ± 2°		



NOTES:
 1. PUMP SHOWN IS A COUNTER CLOCKWISE ROTATION PUMP WITH THE REAR INLET PORTING OPTION. FOR CLOCKWISE ROTATION ALL PORTS AND CONTROLS WILL BE REVERSED EXCEPT THE INLET PORT.

REV	ECN NO	REVISION	CHG BY	DATE
-	-	SEE PAGE 1	-	-
DRAWN BY: E. D. BERRY		DATE: 26AUG03		
APPROVED:		DATE:		
SCALE:		-		
HYDRAULIC PUMP/MOTOR DIV				
TITLE: SEVICE PARTS PAVC33/38				
SHEET NO:	SIZE	DRAWING NO:	REV.	STATUS
2 OF 5	D	789672	-	PR

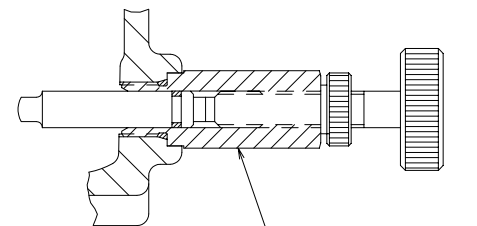
HEAT TREAT:	SUPERSEDES:	PART MUST CONFORM TO ENGR. STD'S: ESM 1000 ANST STD. Y14.5-1994 APPLIES EXCEPT MVC APPLIES TO POSITIONAL TOLERANCES WHEN NO MODIFIER IS SPECIFIED.
-	-	
FINISH:	MATERIAL:	ALL DIMENSIONS ARE IN INCHES. TOLERANCE IN DECIMAL DIMENSIONS IS AS FOLLOWS, UNLESS OTHERWISE SPECIFIED: 1 PLACE (.0) ± .060 2 PLACE (.00) ± .030 3 PLACE (.000) ± .010
-	-	ANGLES ± 2°



DUAL SHAFT BEARING
CONFIGURATION SHOWN
(OPTION 9)

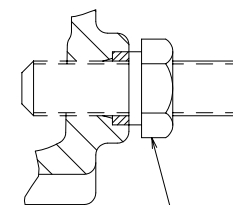
040
060
INSTALLED DEPTH OF
NEEDLE BEARING, ITEM
#59 BELOW PORT PLATE
FACE OF HOUSING

49 48 47 46 — 30 FT. -LB.
TORQUE
(B)



MAXIMUM VOLUME STOP
WITH O-RING SEAL
VARIATION-5

57 — 200 IN. -LB.
TORQUE



MAXIMUM VOLUME STOP
VARIATION-2

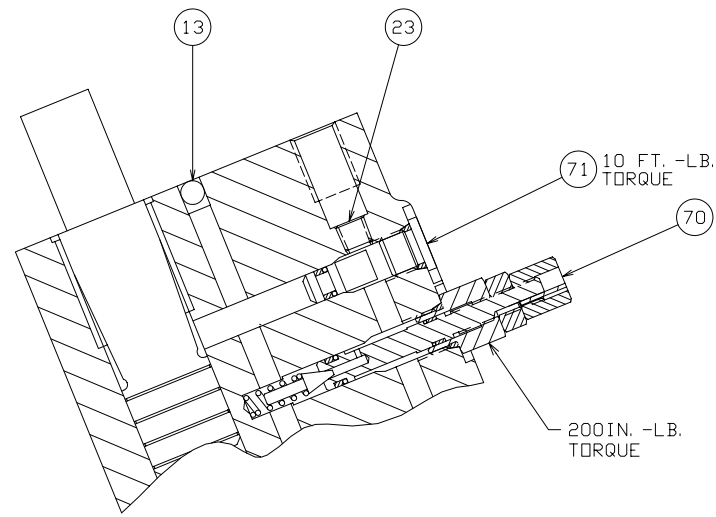
56 — 30 FT. -LB.
TORQUE

NOTES:

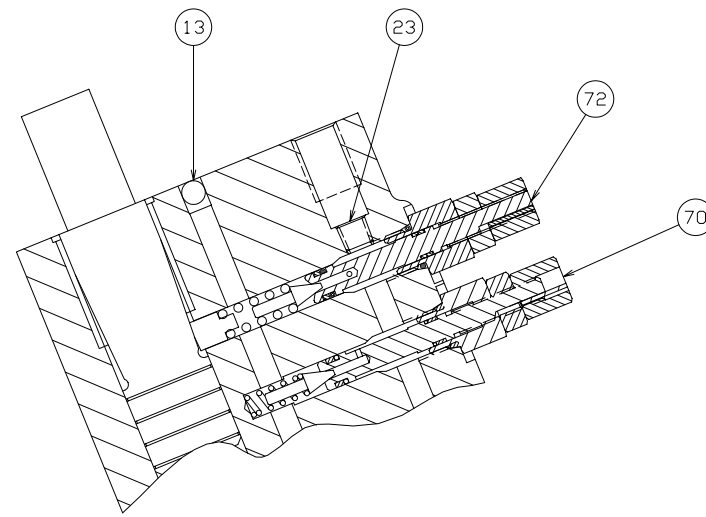
1. PUMP SHOWN IS A COUNTER CLOCKWISE ROTATION PUMP WITH THE SIDE INLET PORTING OPTION. FOR CLOCKWISE ROTATION PUMP THE PORTS AND CONTROLS WILL ALL BE REVERSED.
2. PUMP IS ALSO SHOWN WITH DUAL SHAFT BEARING OPTION "9" FOR WHERE SHAFT SIDE LOADS MAY OCCUR.
3. WITH SIDE INLET PORTING OPTION THERE ARE TWO INLET PORTS. ONE IS LEFT OPEN AND ONE IS COVERED. FACTORY CONFIGURATION HAS THE INLET FLANGE ON THE SAME SIDE AS THE CONTROLS COVERED. DEPENDING UPON APPLICATION IT MAY BE MORE DESIRABLE TO USE THE OTHER INLET PORT, IF SO JUST MOVE COVER TO OPPOSITE SIDE AND PLUMB TO OTHER FLANGE SURFACE.

REV	ECN NO	SEE SHEET 1	CHG BY	DATE
DRAWN BY: E. D. BERRY	DATE: 26AUG03	REVISION		
APPROVED:	DATE:	Parker HYDRAULIC PUMP/MOTOR DIV		
SCALE:				

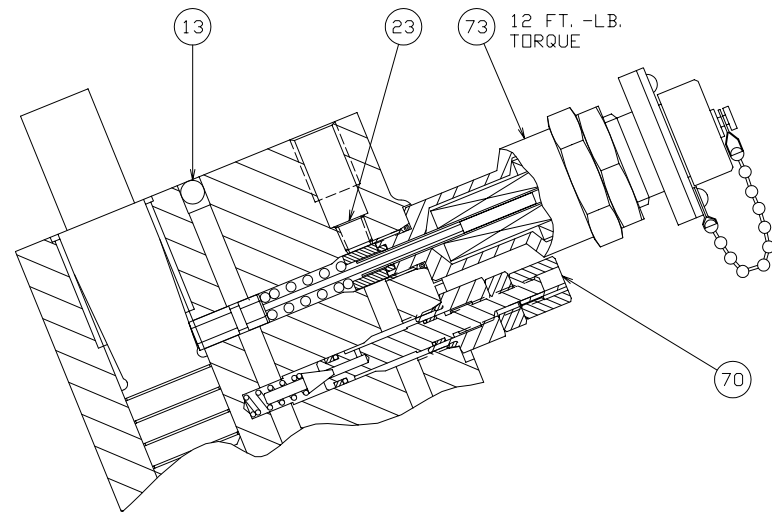
HEAT TREAT:	SUPERSEDES:	PART MUST CONFORM TO ENGR. STD'S: ESM 1000 ANST STD. Y14.5-1994 APPLIES EXCEPT WHC APPLIES TO POSITIONAL TOLERANCES WHEN NO MODIFIER IS SPECIFIED.	TITLE: SEVICE PARTS PAVC33/38
FINISH:	SUPERSEDED BY:	ALL DIMENSIONS ARE IN INCHES. TOLERANCE ON DECIMAL DIMENSIONS IS AS FOLLOWS, UNLESS OTHERWISE SPECIFIED:	SHEET NO: 3 OF 5
	MATERIAL:	1 PLACE (.01) ± .060 2 PLACE (.00) ± .030 3 PLACE (.000) ± .010	SIZE: D
		ANGLES ± 2°	DRAWING NO: 789672
			REV. STATUS: - PR



CONTROL OPTION OMIT, A, M, ME & AM
SECTION Y-Y



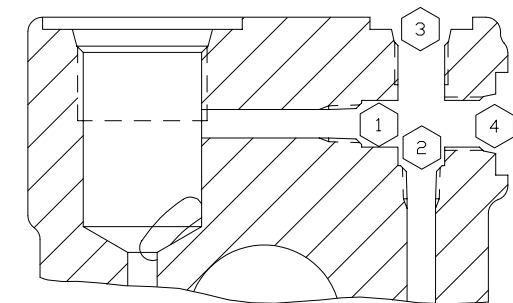
CONTROL OPTION H, C, HM & CM
SECTION Y-Y



CONTROL OPTION S & SE
SECTION Y-Y

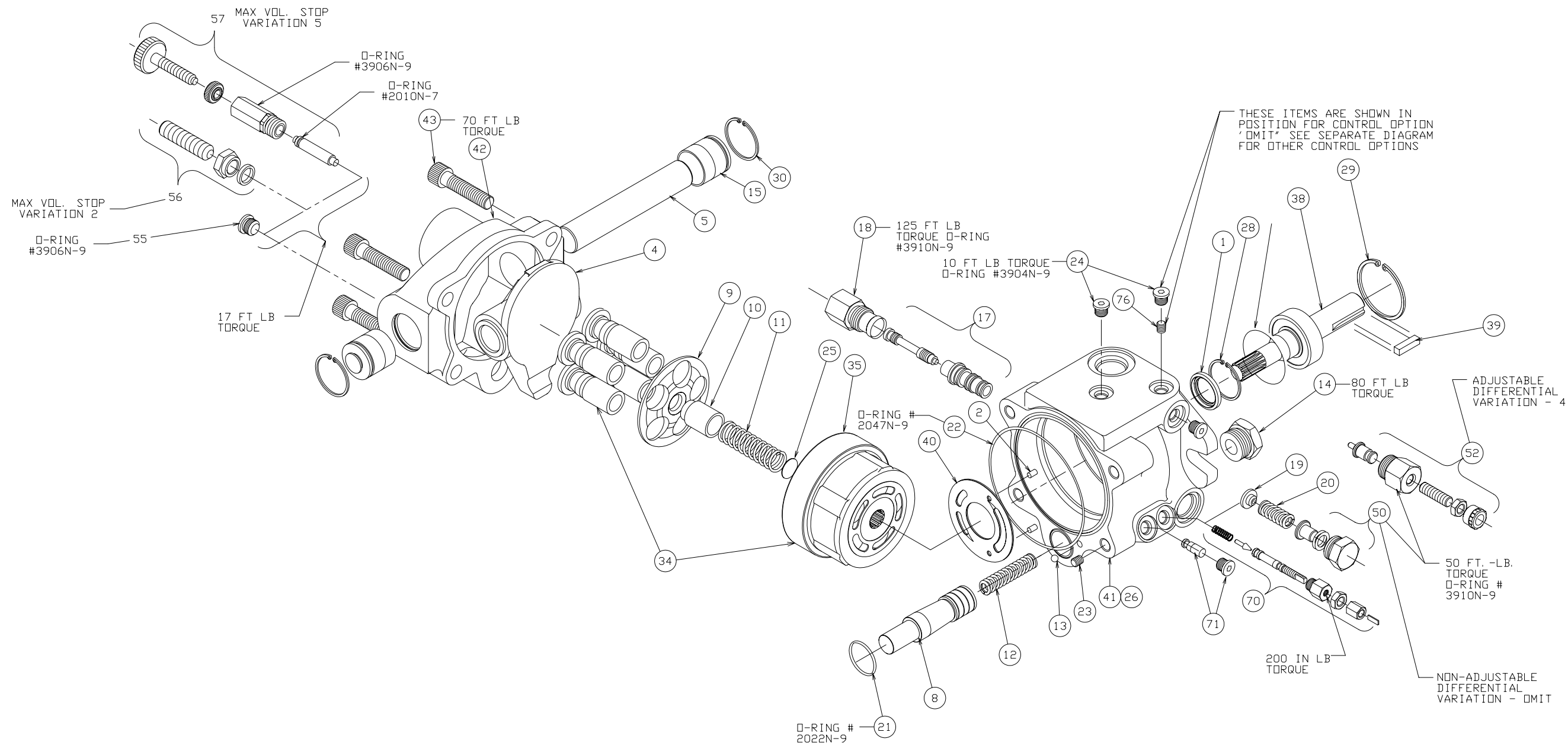
CONTROL OPTION	POSITION			
	1	2	3	4
OMIT	OPEN	800599	108X4	108X4
A	102X1	800599	OPEN	108X4
C	102X1	800599	OPEN	108X4
H	OPEN	800599	108X4	108X4
M	800599	OPEN	OPEN	108X4
ME	102X1	800599	OPEN	108X4
S	800599	OPEN	OPEN	108X4
SE	102X1	800599	OPEN	108X4
AM	102X1	800599	786635	OPEN
CM	102X1	800599	786635	OPEN
HM	800599	OPEN	OPEN	108X4

FOR INLET PORT OPTION '8'
SAE STRAIGHT THREAD PLUGS (108X4)
ARE REPLACED WITH ISO6149 STRAIGHT
THREAD PLUGS (788516-04)



SECTION X-X

REV	ECN NO	REVISION	CHG BY	DATE
-	-	SEE SHEET 1	-	-
DRAWN BY: E. D. BERRY		DATE: 26AUG03		
APPROVED:		DATE:		
SCALE:				
HYDRAULIC PUMP/MOTOR DIV				
TITLE: SEVICE PARTS PAVC33/38				
HEAT TREAT:	SUPERSEDES:	PART MUST CONFORM TO ENGR. STD'S: ESM 1000		
-	-	ANSI STD. Y14.5-1994 APPLIES EXCEPT		
SUPERSEDED BY:		MVC APPLIES TO POSITIONAL TOLERANCES		
-		WHEN NO MODIFIER IS SPECIFIED.		
MATERIAL:		ALL DIMENSIONS ARE IN INCHES.		
-		TOLERANCE IN DECIMAL DIMENSIONS IS AS		
-		FOLLOWS, UNLESS OTHERWISE SPECIFIED:		
-		1 PLACE (.01) ± .060		
-		2 PLACE (.00) ± .030		
-		3 PLACE (.000) ± .010		
-		ANGLES ± 2°		
SHEET NO:	SIZE	DRAWING NO.	REV.	STATUS
4 OF 5	D	789672	-	PR



-	-	SEE SHEET 1	-	-
REV	ECN NO	REVISION	CHG BY	DATE
DRAWN BY: E. D. BERRY	DATE: 26AUG03			
APPROVED:	DATE:			
SCALE:				
HEAT TREAT:		PART MUST CONFORM TO ENGR. STD'S: ESM 1000		
SUPERSEDES:		ANST. STD. Y14.5-1994 APPLIES EXCEPT		
SUPERSEDED BY:		MVC APPLIES TO POSITIONAL TOLERANCES		
MATERIAL:		WHEN NO MODIFIER IS SPECIFIED.		
		ALL DIMENSIONS ARE IN INCHES.		
		TOLERANCE ON DECIMAL DIMENSIONS IS AS		
		FOLLOWS, UNLESS OTHERWISE SPECIFIED:		
		1 PLACE (.00) ± .030		
		2 PLACE (.00) ± .030		
		3 PLACE (.000) ± .010		
		ANGLES ± 2°		
FINISH:		TITLE:		
		SEVICE PARTS PAVC33/38		
SHEET NO:	SIZE:	DRAWING NO:	REV:	STATUS:
5 OF 5	D	789672	-	PR