

ITEM	PART NUMBER	QTY	DESCRIPTION
2	99X81	2	ROLL PIN
3	MD786293	1	BARREL
4	MC786295	1	SWASH PLATE
5	MB786305	1	PIN-TRUNNION
6	39X10	2	DRIVE SCREW
7	MB800511	1	NAME PLATE
8	MB786301	1	SERVO PISTON
9	MB786663	1	SLIPPER RETAINER
10	MB786661	1	BALLSEAT
11	MA786224	1	SPRING-BARREL
12	MA787065	2	TRUN. CAP ASSY.
13	MA787353	1	SPRING-SERVO
14	MA787064	1	PLUG-SERVO ASS'Y
15	98X16	1	BALL
16			
17	MB787056	1	SPOOL & SLEEVE ASSY
18	MA786946	1	AIRBLEED ASSY
19	MA786116	1	RETAINER-SPRING
20	MA786113	1	SPRING-MOD.
21	2027 O-9	1	O-RING
22	2050 O-7	1	O-RING
23	102X1 O	1	PLUG
24	108X4 O	1	PLUG
25	MA786393	2	RETAINER
26	MB786888	1	BARREL-BUSHING
27	56X325	2	SNAP RING
28	56X352	1	SNAP RING
29	56X337	1	SNAP RING
30	10X301	4	CAP SCREW
31	10X293	2	CAP SCREW
32			
33			

ITEM	PART NUMBER	QTY	DESCRIPTION
OMIT 34	MB786263	7	PISTON ASSY
1	MA787347	1	SHAFT SEAL
W 34	MB786789	7	PISTON ASSY.
1	MA788029	1	SHAFT SEAL

ITEM	PART NUMBER	QTY	DESCRIPTION
OMIT 65	MA787598	1	SHFT ASSY-STR-1 PC
66			
B 67	MA801111	1	PROTECTIVE CAP
B 65	MA787599	1	SHFT ASSY-SPL-1 PC
OMIT 65	MA787577	1	SHFT ASSY-STR-2 PC
66			
B 67	MA801111	1	PROTECTIVE CAP
B 65	MA787514	1	SHFT ASSY-SPL-2 PC
61	MA787351	1	NEEDLE BEARING
62	MA787469	1	IDLER SHAFT

ITEM	PART NUMBER	QTY	DESCRIPTION
R 40	MD787348	1	FRNT HOUSING R. H.
41	MC786881	1	PORT PLATE
L 40	MD787576	1	FRNT HOUSING L. H.
41	MC786666	1	PORT PLATE

ITEM	PART NUMBER	QTY	DESCRIPTION	
OMIT 50	MA787071	1	NON-ADJ. DIFF. ASSY	
4	52	MA787072	1	ADJ. DIFF. ASSY

ITEM	PART NUMBER	QTY	DESCRIPTION	
OMIT 55	108X6	1	PLUG	
2	56	MA786954	1	MAX. VOL. STOP"VAR. 2"ASSY
5	57	MA786955	1	MAX. VOL. STOP"VAR. 5"ASSY

ITEM	PART NUMBER	QTY	DESCRIPTION	
OMIT 42	MD786720	1	TRUNNION HOUSING	
2	42	MD786823	1	TRUNNION HOUSING
43	108X2	1	PLUG	

ITEM	PART NUMBER	QTY	DESCRIPTION
70	MA786952	1	PRESS COMP. ASSY
71	MA786953	1	TORQUE PLUG ASSY
72	MB787075	1	TORQUE CONTROL ASSY
73	MB787074	1	SERVO CONTROL ASSY
74	102X1		PIPE PLUG
24	108X4		STRAIGHT PLUG
76	MA800599		ORIFICE PLUG
77	MA786635		ORIFICE FITTING

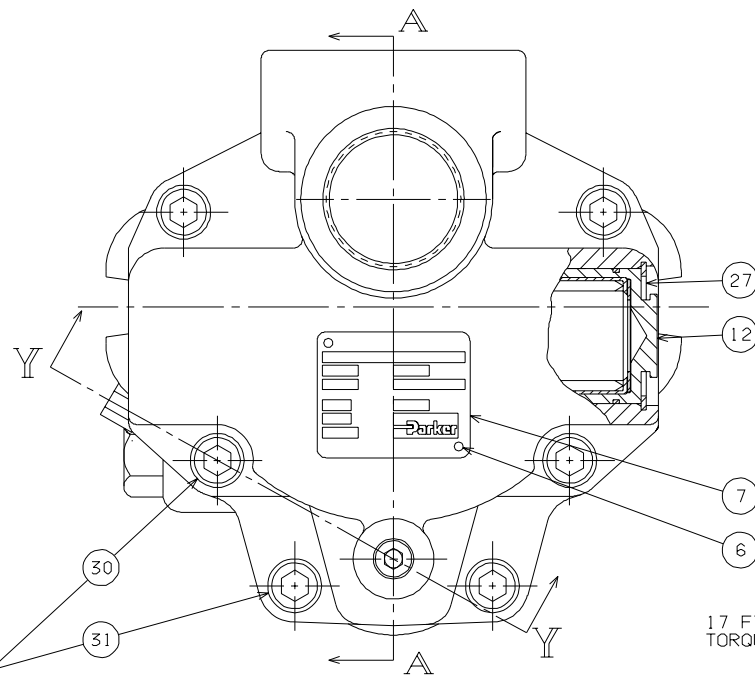
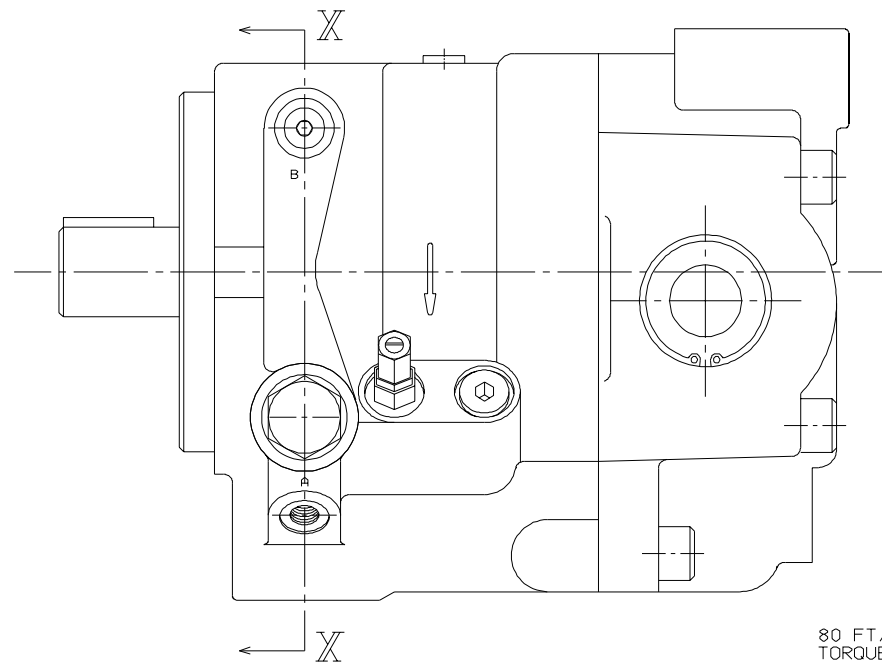
REFER TO SECTION X - X  
& SECTION Y - Y  
(SHEET 3 OF 3)  
FOR LOCATION & COMBINATION  
OF ABOVE COMPONENTS

OMIT USE NITRILE SEALS

DESIGN SERIES

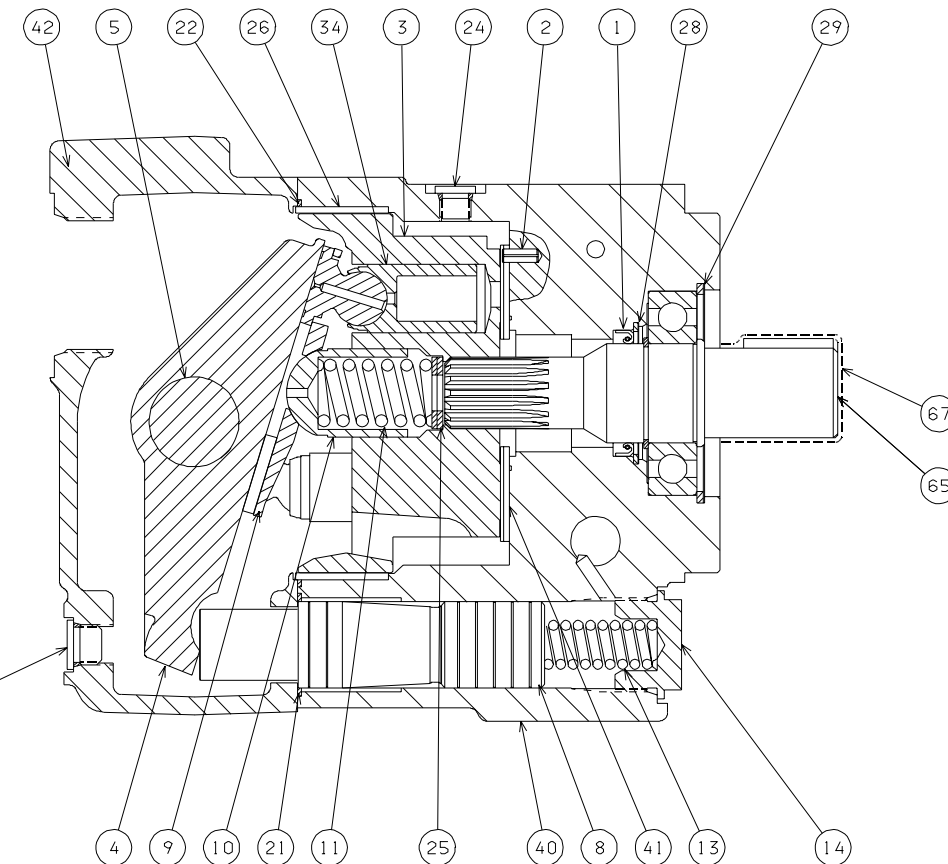
NOTE:  
1. O O-RING COMPOUND DESIGNATION

F	130805	787353 WAS 786302	MDC	6/13/96
E	129736	ADDED SHAFT SEAL	MDC	6/7/93
D	129629	ADD DESIGN SERIES H	LCB	3/3/93
C	129402	2050-7 WAS 2050-9	LCB	8/3/92
B	128822	SEE ECN	LCB	12/20/90
A	128759	ADDED 108X2 PLUG	LCB	9/25/90
-	128698	RELEASE TO PR	LCB	7/27/90
REV	ECR NO	REVISION	CHG BY	DATE
DRAWN BY:	DATE:	7/27/90		
PKH				
APP'D BY:	DATE:			
SCALE:	NONE			
HEAT TREAT:		SUPERSEDES:		PART MUST CONFORM TO ENGR. STD'S: ES-M 1000
N/A		N/A		DIMENSIONS ARE IN INCHES TOL. ON DEC. DIM'S, UNLESS OTHERWISE SPECIFIED:
FINISH:		SUPERSEDED BY:		1 PLACE (.00) ± .060
N/A		N/A		2 PLACE (.000) ± .050
		MATERIAL:		3 PLACE (.0000) ± .010
		N/A		ANGLES ± 2°
TITLE:		SERVICE PARTS - PAVC 65/12		
SHEET 1 OF 4		DRAWING NO.	REV.	STATUS
		MD787582	F	PR

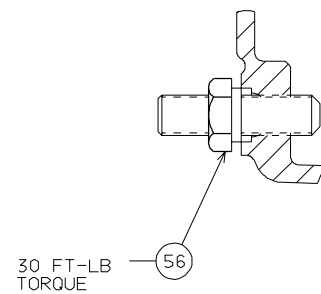


80 FT/LB TORQUE

17 FT/LB TORQUE

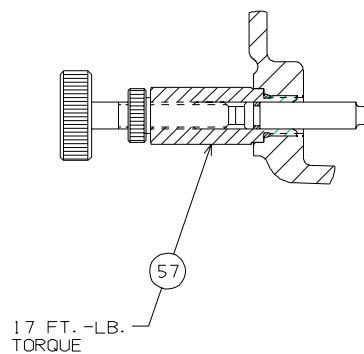


SECTION A-A



MAXIMUM VOLUME STOP VARIATION - 2

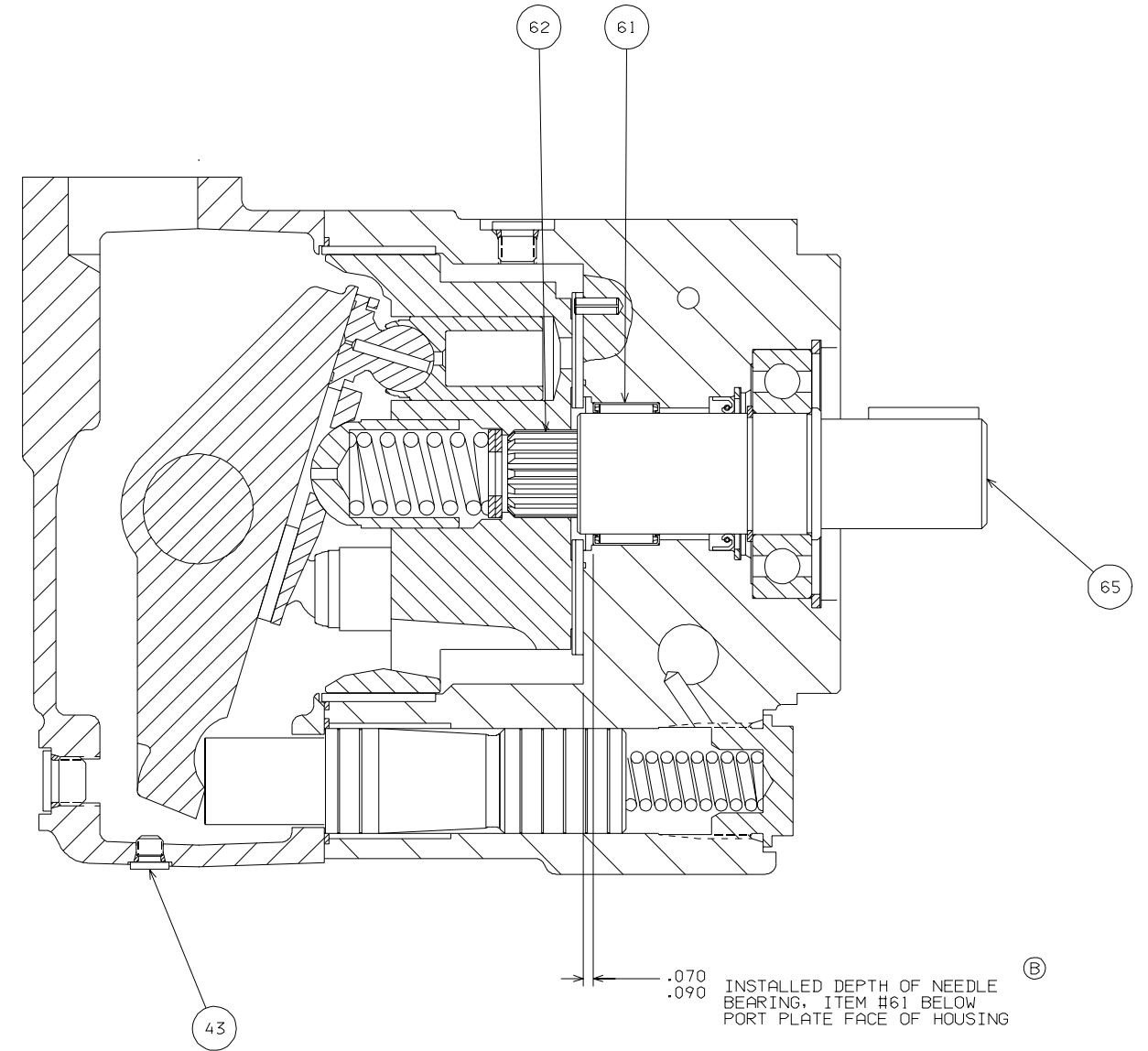
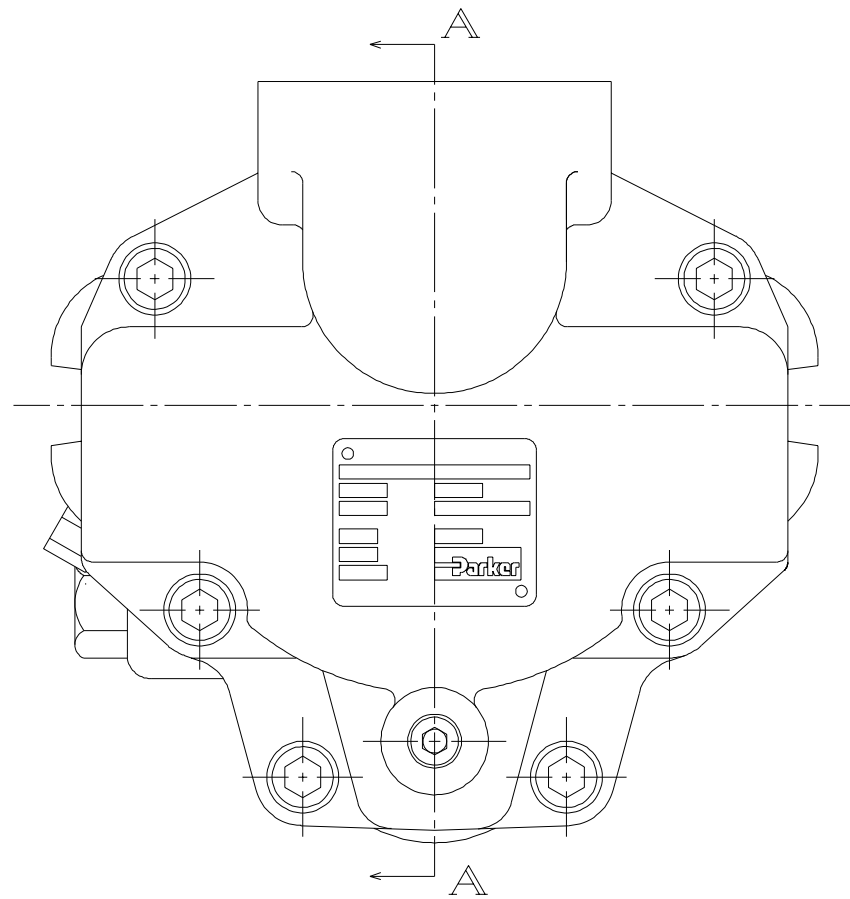
30 FT-LB TORQUE



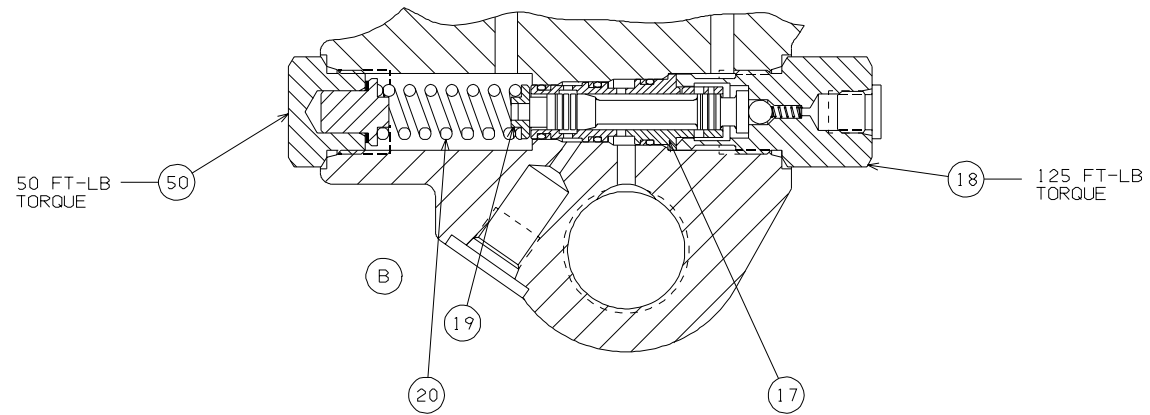
MAXIMUM VOLUME STOP VARIATION - 5

17 FT.-LB. TORQUE

-		SEE SHEET 1	LCB	-
REV	ECR NO	REVISION	CHG BY	DATE
DRAWN BY: L. BASS	DATE: 3/23/90	FLUIDPOWER PUMP DIVISION		
APP'D BY:	DATE:			
SCALE: 3/4		TITLE: SERVICE PARTS - PAVC65/12		
HEAT TREAT: N/A	SUPERSEDES: N/A	PART MUST CONFORM TO ENGR. STD'S: ES-M 1000 DIMENSIONS ARE IN INCHES TOL. ON DEC. DIM'S, UNLESS OTHERWISE SPECIFIED:		TITLE: SERVICE PARTS - PAVC65/12
FINISH: N/A	MATERIAL: N/A	1 PLACE (.0) ± .060 2 PLACE (.00) ± .030 3 PLACE (.000) ± .010 ANGLES ± 2°		DRAWING NO. MD787582
SHEET 2 OF 4		REV. F	STATUS PR	



SECTION A-A  
DUAL SHAFT BEARING  
CONFIGURATION SHOWN (OPTION 9)

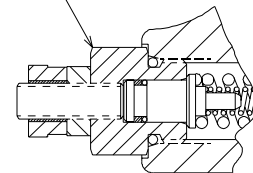


SECTION X-X  
VARIATION "OMIT"  
NON-ADJ. DIFF.

50 FT-LB  
TORQUE

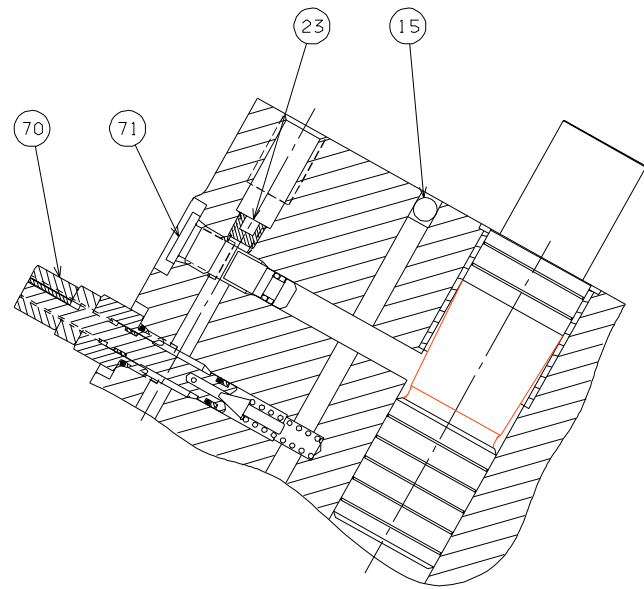
125 FT-LB  
TORQUE

50 FT-LB  
TORQUE

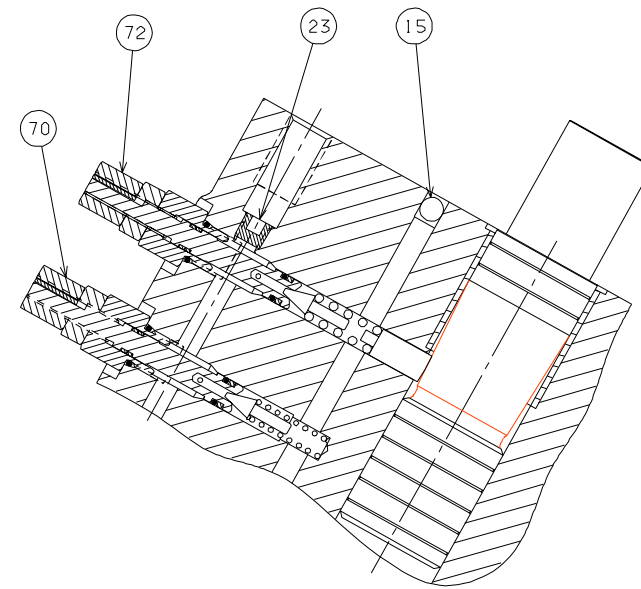


VARIATION "4"  
ADJUSTABLE DIFFERENTIAL

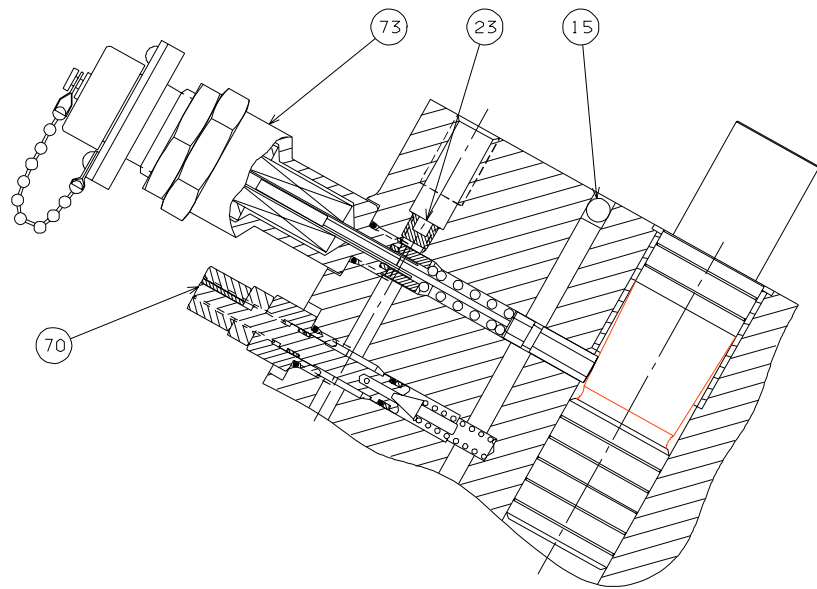
REV	ECR NO	SEE SHEET 1	LCB	-
DATE	DATE	REVISION	CHG BY	DATE
L. BASS	3/23/90			
APP'D BY:	DATE:	FLUIDPOWER PUMP DIVISION		
SCALE: FULL				
HEAT TREAT:		SUPERSEDES:		PART MUST CONFORM TO ENGR. STD'S: ES-M 1000
FINISH:		SUPERSEDED BY:		DIMENSIONS ARE IN INCHES TOL. ON DEC. DIM'S, UNLESS OTHERWISE SPECIFIED:
		MATERIAL:		1 PLACE (.0) ± .060 2 PLACE (.00) ± .030 3 PLACE (.000) ± .010 ANGLES ± 2°
TITLE:		SERVICE PARTS - PAV65/12		
SHEET 3 OF 4		DRAWING NO.	REV.	STATUS
		MD787582	E	PR



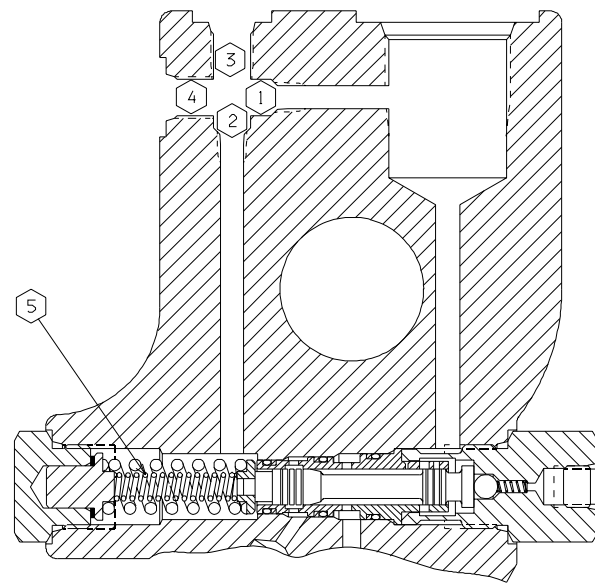
SECTION Y-Y  
CONTROL OPTION OMIT, A, M, ME & AM



SECTION Y-Y  
CONTROL OPTION C, H, CM & HM



SECTION Y-Y  
CONTROL OPTION S & SE



SECTION X-X

CONTROL OPTION	POSITION					B
	1	2	3	4	5	
OMIT	OPEN	800599	108X4	108X4	OMIT	
A	102X1	800599	OPEN	108X4	MA787474	
C	102X1	800599	OPEN	108X4	MA787474	
H	OPEN	800599	108X4	108X4	OMIT	
M	800599	OPEN	OPEN	108X4	OMIT	
ME	102X1	800599	OPEN	108X4	MA787474	
S	800599	OPEN	OPEN	108X4	OMIT	
SE	102X1	800599	OPEN	108X4	OMIT	
AM	102X1	800599	786635	OPEN	MA787474	
CM	102X1	800599	786635	OPEN	MA787474	
HM	800599	OPEN	OPEN	108X4	OMIT	

REV	ECR NO	SEE SHEET 1	LCB	-
REVISION	CHG BY	DATE		
DRAWN BY: L. BASS	DATE: 3/23/90	Parker FLUIDPOWER PUMP DIVISION		
APP'D BY:	DATE:	SCALE: FULL		
HEAT TREAT:		SUPERSEDES:		PART MUST CONFORM TO ENGR. STD'S: ES-M 1000
FINISH:		SUPERSEDED BY:		DIMENSIONS ARE IN INCHES TOL. ON DEC. DIM'S, UNLESS OTHERWISE SPECIFIED:
		MATERIAL:		1 PLACE (.0) ± .060 2 PLACE (.00) ± .030 3 PLACE (.000) ± .010 ANGLES ± 2°
TITLE:		SERVICE PARTS - PAV65/12		
SHEET 4 OF 4		DRAWING NO. MD787582		REV. E STATUS PR