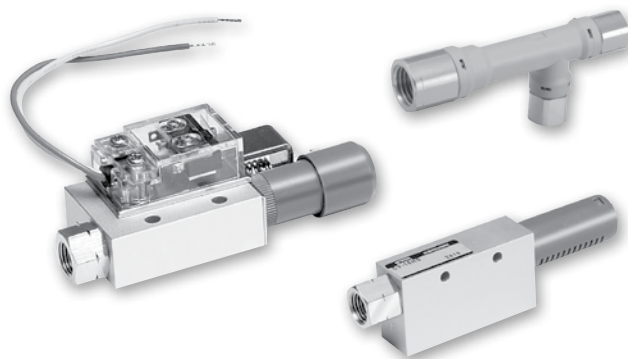


Parker Inline Single Stage Vacuum Generators is a compact design offering multiple vacuum flow ranges in 3 styles. These Generators are meant to be mounted near the vacuum application for improved vacuum response time. A Normally Open or Normally Closed 3 way valve can be used to control the supply pressure to obtain up to a 27 Inhg degree of vacuum.

Features

- **MCA:**
 - light weight vacuum generator
 - vacuum flow rates to 1.26 SCFM
- **CV:**
 - basic aluminum body generator with exhaust muffler
 - vacuum flow rates to 12.36 SCFM
 - degree of vacuum to 27 inHg
- **CV-CK**
 - basic aluminum body generator with mechanical vacuum switch
 - vacuum flow rates to 5.85 SCFM
 - degree of vacuum to 27 inHg



Specifications

Media	Non-lubricated air, non-corrosive gases
Operating pressure	14 to 114 PSI
Operating temperature	32° to 120°F (MCA, CV); 32 to 140°F (CV-CK)
Material	Polycarbonate, Aluminum fittings (MCA) Body: Aluminum (CV, CV-CK) Nozzle: Nickel plated brass (CV, CV-CK) Setting range: 5.9 to 15.7 inHg, accuracy ± 1.57 inHg
CV-CK Switch	Hysteresis: 1.1 to 3.9 inHg Switch output: N.O., AC125V; 5A, AC250V: 3A, DC250V: 0.2A

MCA, CV, CV-CK Vacuum Generators

Symbol	Port size			Max. vacuum flow SCFM	Air consumption SCFM	Max. degree of vacuum inHg	Part number	
	Pressure	Vacuum	Exhaust				NPT	BSPP
MCA Series								
	1/8	1/8	1/4	1.68	1.68	24	MCA10HSN1N1N2	MCA10HSG1G1N2
	1/4	1/4	1/4	2.81	2.81	24	MCA13HSN1N1N2	MCA13HSG1G1G2
CV Series								
	1/8	1/8	Muffler	0.21	0.46	27	CV05HSN	CV05HSG
	1/8	1/8	Muffler	0.32	0.46	17	CV05LSN	CV05LSG
	1/8	1/8	Muffler	0.95	1.55	27	CV10HSN	CV10HSG
	1/8	1/8	Muffler	1.27	1.55	17	CV10LSN	CV10LSG
	1/4	3/8	Muffler	2.22	3.53	27	CV15HSN	CV15HSG
	1/4	3/8	Muffler	3.35	3.53	17	CV15LSN	CV15LSG
	1/4	3/8	Muffler	3.88	6.36	27	CV20HSN	CV20HSG
	1/4	1/2	Muffler	5.85	6.36	17	CV20LSN	CV20LSG
	3/8	1/2	Muffler	5.65	9.36	27	CV25HSN	CV25HSG
	3/8	1/2	Muffler	8.83	9.36	17	CV25LSN	CV25LSG
CV-CK Series								
	1/8	1/8	—	0.95	1.55	27	CV10HSCKN	CV10HSCKG
	1/4	1/4	—	2.22	3.53	27	CV15HSCKN	CV15HSCKG
	1/4	3/8	—	3.88	6.36	27	CV20HSCKN	CV20HSCKG

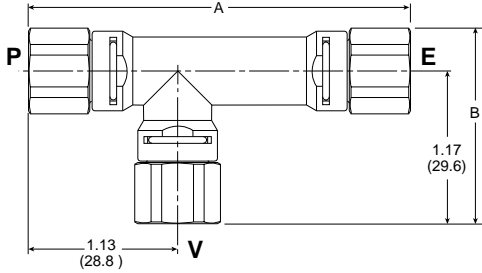
Most popular.

C
 Vacuum Generators
 Vacuum Products
 MCA, CV, CV-CK
 Series
 CHF
 Series
 MC22
 Series
 MC72
 Series
 CEK
 Series
 CVXCEK
 Series

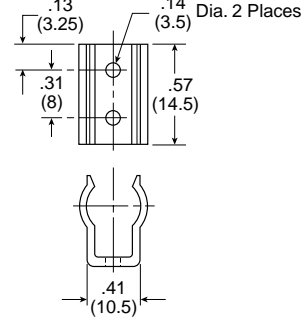


Dimensions

MCA



MCA Mounting bracket: MCA-B

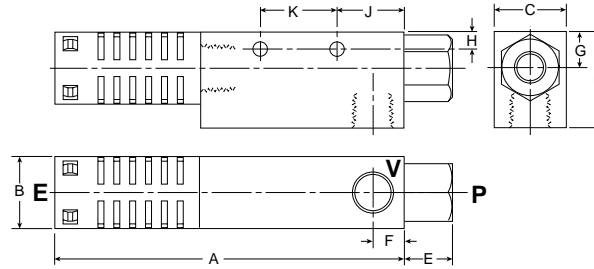


MCA**N1N1N2**

Part number	A	B
MCA10HS*****	2.76 (70)	1.16 (29.5)
MCA13HS*****	2.76 (70)	1.16 (29.5)

Inches (mm)

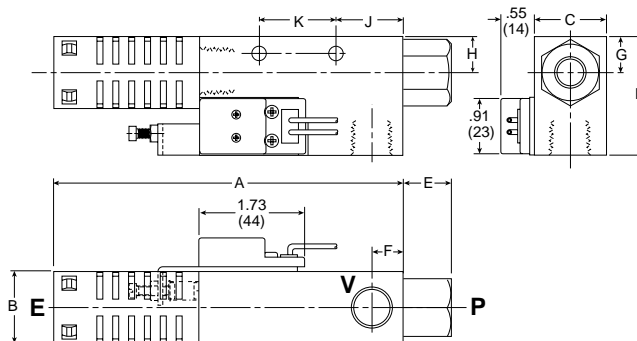
CV



Part number	A	B	C	D	E	F	G	H	J	K
CV05HS/LS	3.19 (81)	.73 (18.5)	.63 (16)	1.30 (33)	.39 (10)	.31 (8)	.39 (10)	.18 (4.5)	.55 (14)	.79 (20)
CV10HS/LS	3.19 (81)	.73 (18.5)	.63 (16)	1.30 (33)	.39 (10)	.31 (8)	.39 (10)	.18 (4.5)	.55 (14)	.79 (20)
CV15HS/LS	4.27 (108.5)	.79 (20)	.79 (20)	1.38 (35)	.59 (15)	.39 (10)	.43 (11)	.20 (5)	.79 (20)	.98 (25)
CV20HS/LS	5.73 (145.5)	1.18 (30)	1.18 (30)	1.57 (40)	.79 (20)	.51 (13)	.59 (15)	.28 (7)	1.10 (28)	1.26 (32)
CV25HS/LS	7.72 (196)	1.57 (40)	1.57 (40)	2.36 (60)	.67 (17)	.63 (16)	.79 (20)	.22 (5.5)	.79 (20)	1.97 (50)
CV30AHS/ALS	8.43 (214)	1.57 (40)	1.57 (40)	2.36 (60)	.79 (20)	.79 (20)	.79 (20)	.22 (5.5)	1.30 (33)	1.97 (50)

Inches (mm)

CV-CK



Part number	A	B	C	D	E	F	G	H	J	K
CV10HS/LSCK	3.19 (81)	.73 (18.5)	.63 (16)	1.30 (33)	.39 (10)	.31 (8)	.39 (10)	.18 (4.5)	17 (4.2)	.79 (20)
CV15HS/LSCK	4.27 (108.5)	.79 (20)	.79 (20)	1.38 (35)	.59 (15)	.39 (10)	.43 (11)	.20 (5)	.18 (4.5)	.98 (25)
CV20HS/LSCK	5.73 (145.5)	1.18 (30)	1.18 (30)	1.57 (40)	.79 (20)	.51 (13)	.59 (15)	.28 (7)	.24 (6)	1.26 (32)

Inches (mm)

C
Vacuum Generators
Vacuum Products

MCA, CV,
CV-CK

CHF
Series

MC22
Series

MC72
Series

CEK
Series

CVXCEK
Series

