

- Repairable aluminum cylinder, anodized body and end caps
- 8 bore sizes: 20mm to 100mm (3/4" to 4")
- 4 Standard rod ends: inch, metric, male, female
- Bumpers standard on both ends
- Adjustable cushions optional at both ends
- Mounting styles: 9 standard
- Strokes available in any practical length
- Available in metric or inch mounting threads



Operating information

Operating pressure: 10 bar (145 PSIG)
 Temperature range:
 Standard -23°C to 74°C (-10°F to 250°F)
 High temperature version* -23°C to 121°C (-10°F to 250°F)

* Option intended for limited exposure to temperatures over 80°C or 176°F. This option is primarily for applications which subject the cylinder to fluids that have an adverse effect on external seals.

Filtration requirements: 40 micron, dry filtered air

For technical information see CD

Ordering information

P1L N 032 D M N 0200 W B N N N

Construction 1		Stroke		Version 3		Rod material	
N	Inch mounting threads	Specify in mm		B	Basic	N	Carbon steel (std on 32-100mm bores)
M	Metric mounting threads			W	With options	S	Stainless (std on 20-25mm bores)
				/	Special		
Bores (mm)				Rod end style 1			
020	032	050	080	N	Inch male 4		
025	040	063	100	6	Metric female		
				5	Metric male 5		
Function		Seal material		9	Inch female		
D	Double acting, single rod	N	Standard seals	3	Special		
K	Double acting, double rod	T	Fluorocarbon				
Cushions/magnetic piston		Mounting style		Port type 1			
N	No cushion, no magnetic piston	N	No mountings fitted (std.)	N	NPT threads 4		
M	No cushion, magnetic piston 2	J	Front flange	B	BSPT threads 5		
F	Cushioned both ends, no magnetic piston	H	Rear flange				
Y	Cushioned both ends, magnetic piston 2	B	Single rear clevis				
		A	Double rear clevis				
		F	Foot, front & rear				
		G	Nose mount				
		E	Front trunnion				
		D	Rear trunnion				

Notes:

- When selecting inch or metric construction, be advised that the piston rod end and porting thread will coincide with the mounting thread selected as the standard for the basic cylinder. For example, selecting "M" in the construction field will automatically provide a metric male piston rod end and BSPT ports as standard.
- Not available with fluorocarbon seal option.
- If cylinder contains no options, then use "B" as the last digit in the model code. The last 4 boxes are used only when "W" or "/" appears in this field.
- Standard with Inch Construction
- Standard with Metric Construction
- Please consult factory for availability of stroke lengths longer than those listed.

Sensors

For sensors see page B294.

Bore	Min. stroke (mm)	Max. stroke (mm) 6
20	2	1000
25	2	1000
32	2	1000
40	4	1000
50	5	1000
63	7	1000
80	4	1000
100	4	1000

B

Round Body Cylinders
Actuator Products

SR/SM/SRD/SRDM
Series

SRX
Series

P1L
Series

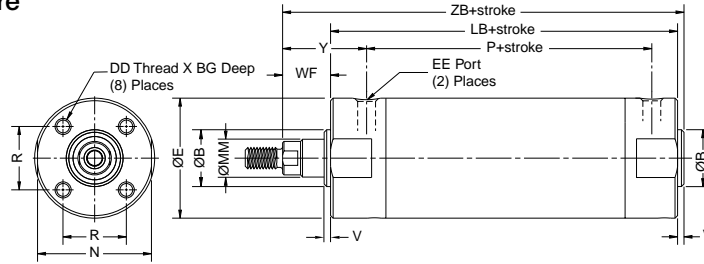
P1A
Series

P
Series

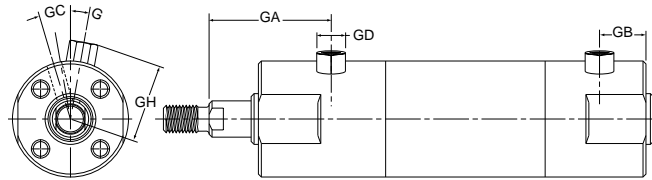


Style N - Basic No Mount

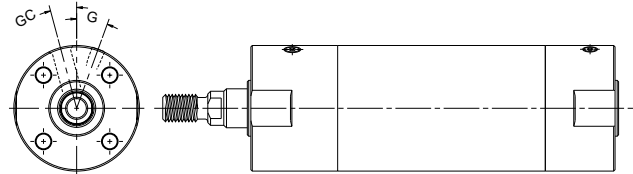
Typical 20 to 100 mm Bore
 without air cushion



With adjustable air cushion - 20 to 25 mm bores



With adjustable air cushion - 32 to 100 mm bores
 (feature a flush-fit cushion adjustment screw)



Style N, envelope and mounting dimensions – mm (inch)

Bore size	ØB +0 -0.02 (+0 -0.001)	DD (UNF)	BG depth	ØE	EE (NPTF)	Ø MM rod dia.	N	NA	R	V	WF	Y
20	12 (0.472)	M4x0.7 (8-32)	7 (0.28)	27 (1.06)	1/8* (1/8 †)	8 (0.315)	24 (0.94)	-	14 (0.55)	2 (0.08)	13 (0.50)	28 (1.10)
25	14 (0.551)	M5x0.8 (10-32)	7.6 (0.30)	32 (1.26)	1/8* (1/8 †)	10 (0.394)	29 (1.14)	-	16.5 (0.65)	2 (0.08)	16 (0.62)	30 (1.18)
32	18 (0.709)	M5x0.8 (10-32)	7.6 (0.30)	39 (1.53)	1/8 (1/8)	12 (0.472)	36 (1.42)	11 (0.43)	20 (0.79)	2 (0.08)	22 (0.88)	40 (1.57)
40	25 (0.984)	M6x1 (1/4-28)	12 (0.47)	48.5 (1.91)	1/8 (1/8)	16 (0.630)	44 (1.73)	14 (0.55)	26 (1.02)	2 (0.08)	22 (0.88)	42 (1.65)
50	30 (1.181)	M8x1.25 (5/16-24)	16 (0.63)	59 (2.32)	1/4 (1/4)	20 (0.787)	55 (2.17)	18 (0.71)	32 (1.26)	2 (0.08)	30 (1.19)	53 (2.09)
63	32 (1.260)	M10x1.5 (3/8-24)	16 (0.63)	72 (2.83)	1/4 (1/4)	20 (0.787)	69 (2.72)	18 (0.71)	38 (1.50)	2 (0.08)	30 (1.19)	53 (2.09)
80	40 (1.575)	M10x1.5 (3/8-24)	22 (0.88)	90 (3.54)	3/8 (3/8)	25 (0.984)	86 (3.39)	23 (0.91)	50 (1.97)	3 (0.12)	31 (1.22)	59 (2.32)
100	50 (1.968)	M12x1.75 (1/2-20)	22 (0.88)	110 (4.33)	1/2 (1/2)	32 (1.260)	106 (4.17)	30 (1.18)	60 (2.36)	3 (0.12)	31 (1.22)	57 (2.24)

Add stroke

Bore size	LB	P	ZB
20	69 (2.70)	45 (1.77)	83 (3.28)
25	69 (2.70)	46 (1.81)	86 (3.40)
32	71 (2.78)	43 (1.69)	95 (3.74)
40	78 (3.06)	49 (1.93)	102 (4.02)
50	90 (3.53)	53 (2.09)	122 (4.80)
63	90 (3.53)	52 (2.05)	122 (4.80)
80	108 (4.25)	64 (2.52)	142 (5.59)
100	108 (4.25)	66 (2.60)	142 (5.59)

Adjustable air cushion

Bore size	GA	GB	GD Hex	GC°	G°	GH	EE	Cushion length
20	33 (1.30)	14 (0.55)	8 (0.31)	13-1/2	25-1/2	20.5 (0.81)	M5 x 0.8 (10-32 UNF)	9 (0.35)
25	35 (1.38)	14 (0.55)	8 (0.31)	15-1/2	20-1/2	23 (0.91)	M5 x 0.8 (10-32 UNF)	9 (0.35)
32	-	-	-	10-1/2	30-1/2	-	1/8 (1/8 NPTF)	10 (0.39)
40	-	-	-	10-1/2	22-1/2	-	1/8 (1/8 NPTF)	12 (0.47)
50	-	-	-	10-1/2	23-1/2	-	1/4 (1/4 NPTF)	15 (0.59)
63	-	-	-	15-1/2	20-1/2	-	1/4 (1/4 NPTF)	15 (0.59)
80	-	-	-	15-1/2	25-1/2	-	3/8 (3/8 NPTF)	15 (0.59)
100	-	-	-	15-1/2	25-1/2	-	1/2 (1/2 NPTF)	15 (0.59)

* Ports are M5 for cushioned versions, metric
 † Ports are 10-32 for cushioned versions, inch

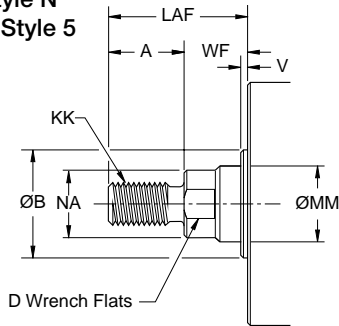


B
 Round Body Cylinders
 Actuator Products
 SR/SM/SRD/SRD/SM Series
 SRX Series
 P1L Series
 P1A Series
 P Series

Rod End Details

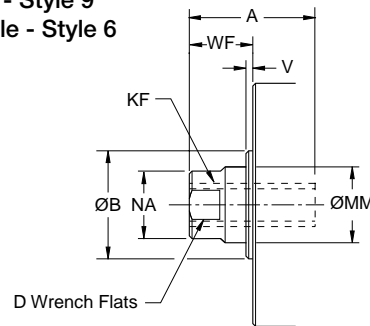
Male threads

Inch male - Style N
 Metric male - Style 5



Female threads

Inch female - Style 9
 Metric female - Style 6



Special rod end threads

Thread Style 3

Special Metric or Inch threads, extension, blank, etc., are also available.

To order, specify "Style 3" and give desired dimensions for KK or KF, A and LAF or WF (length dimensions in millimeters).
 If otherwise special, supply a dimensioned sketch.

Rod ends – mm (inch)

Bore size	Thread									
	A	ØB +0 -0.02 (+0 -0.001)	D	KK Style 5 (Style N)	KF Style 6 (Style 9)	LAF	Ø MM rod dia.	NA	V	WF
20	13 (0.50)	12 (0.472)	6 (0.24)	M8 x 1.25 (1/4-28)	M5 x 0.80 (#10-32)	26 (1.00)	8 (0.315)	-	2 (0.08)	13 (0.50)
25	13 (0.50)	14 (0.551)	8 (0.31)	M10 x 1.25 (5/16-24)	M6 x 1.00 (1/4-28)	29 (1.12)	10 (0.394)	-	2 (0.08)	16 (0.62)
32	19 (0.75)	18 (0.709)	10 (0.39)	M10 x 1.25 (7/16-20)	M8 x 1.25 (5/16-24)	41 (1.63)	12 (0.472)	11 (0.43)	2 (0.08)	22 (0.88)
40	19 (0.75)	25 (0.984)	12 (0.47)	M14 x 1.5 (7/16-20)	M8 x 1.25 (3/8-24)	41 (1.63)	16 (0.630)	14 (0.55)	2 (0.08)	22 (0.88)
50	22 (0.88)	30 (1.181)	16 (0.63)	M18 x 1.5 (1/2-20)	M10 x 1.25 (1/2-20)	52 (2.07)	20 (0.787)	18 (0.71)	2 (0.08)	30 (1.19)
63	22 (0.88)	32 (1.260)	16 (0.63)	M18 x 1.5 (1/2-20)	M10 x 1.25 (1/2-20)	52 (2.07)	20 (0.787)	18 (0.71)	2 (0.08)	30 (1.19)
80	38 (1.50)	40 (1.575)	20 (0.79)	M22 x 1.5 (3/4-16)	M16 x 1.5 (5/8-18)	69 (2.72)	25 (0.984)	23 (0.91)	3 (0.12)	31 (1.22)
100	48 (1.88)	50 (1.968)	26 (1.02)	M26 x 1.5 (1-14)	M20 x 1.5 (3/4-16)	79 (3.11)	32 (1.260)	30 (1.18)	3 (0.12)	31 (1.22)

B

Round Body Cylinders
 Actuator Products

SR/SM/SRD/SRDM
 Series

SRX
 Series

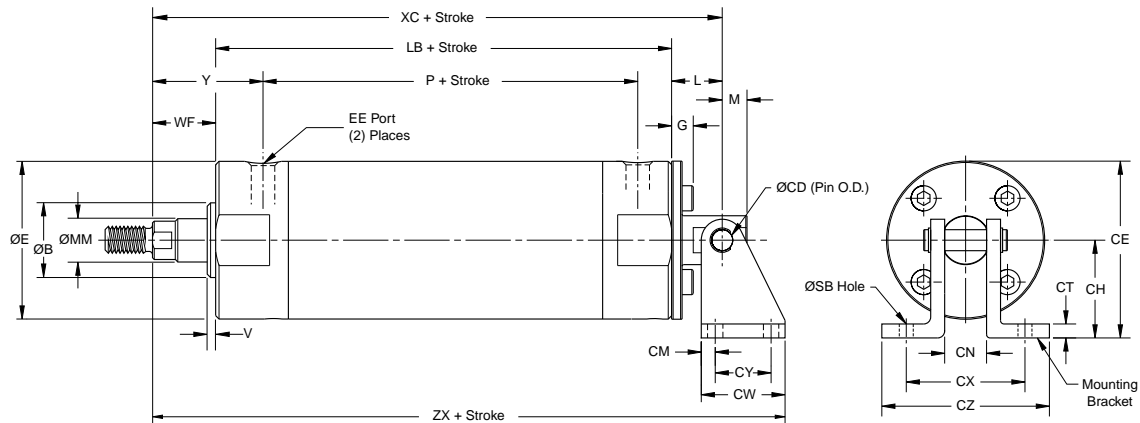
P1L
 Series

P1A
 Series

P
 Series

Style B - Single Rear Clevis

Typical 20 to 100 mm Bore



Note: Mating Mounting Bracket and Pin must be ordered as separate items

Style B, envelope and mounting dimensions – mm (inch)

Bore size	ØB	ØCD	ØE	EE	G	L	M	ØMM	V	WF	Y
	+0 - 0.02 (+0 - 0.001)	h9 (+0 - 0.002)		BSPT (NTPF)				rod dia.			
20	12 (0.472)	6.35 (0.250)	27 (1.06)	1/8* (1/8 †)	7 (0.26)	18 (0.70)	7 (0.28)	8 (0.315)	2 (0.08)	13 (0.50)	28 (1.10)
25	14 (0.551)	6.35 (0.250)	32 (1.26)	1/8* (1/8 †)	8 (0.27)	17 (0.68)	7 (0.28)	10 (0.394)	2 (0.08)	16 (0.62)	30 (1.18)
32	18 (0.709)	6.35 (0.250)	39 (1.53)	1/8 (1/8)	15.5 (0.57)	27 (1.07)	10 (0.39)	12 (0.472)	2 (0.08)	22 (0.88)	40 (1.57)
40	25 (0.984)	9.52 (0.375)	48.5 (1.91)	1/8 (1/8)	10 (0.36)	22 (0.88)	10 (0.39)	16 (0.630)	2 (0.08)	22 (0.88)	42 (1.65)
50	30 (1.181)	9.52 (0.375)	59 (2.32)	1/4 (1/4)	12 (0.43)	23 (0.91)	11 (0.44)	20 (0.787)	2 (0.08)	30 (1.19)	53 (2.09)
63	32 (1.260)	9.52 (0.375)	72 (2.83)	1/4 (1/4)	13 (0.46)	23 (0.91)	11 (0.44)	20 (0.787)	2 (0.08)	30 (1.19)	53 (2.09)
80	40 (1.575)	19.07 (0.751)	90 (3.54)	3/8 (3/8)	15 (0.54)	35 (1.38)	19 (0.75)	25 (0.984)	3 (0.12)	31 (1.22)	59 (2.32)
100	50 (1.968)	19.07 (0.751)	110 (4.33)	1/2 (1/2)	17 (0.64)	43 (1.69)	19 (0.75)	32 (1.260)	3 (0.12)	31 (1.22)	57 (2.24)

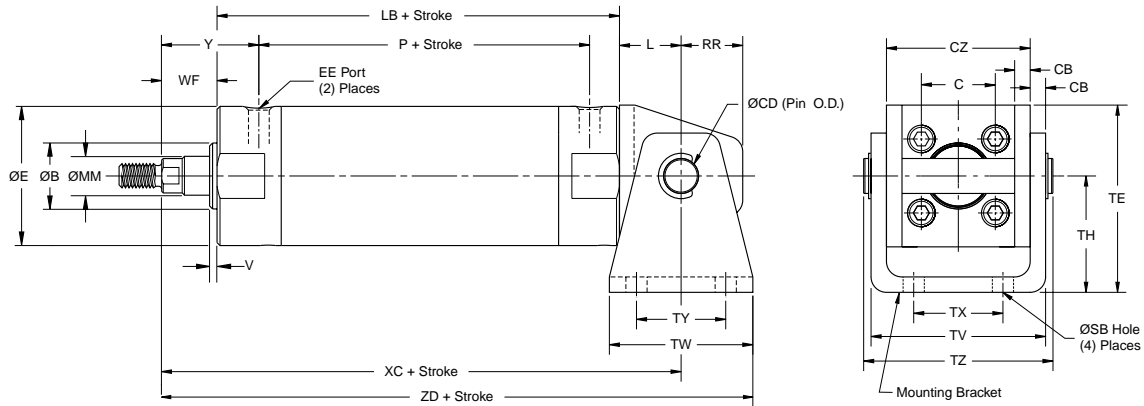
Bore size											Add stroke			
	CE	CH	CM	CN	CT	CW	CX	CY	CZ	ØSB	LB	P	XC	ZX
20	35.5 (1.39)	22 (0.87)	5 (0.19)	10 (0.38)	3 (0.12)	29 (1.13)	32 (1.25)	19 (0.75)	51 (2.00)	7 (0.27)	69 (2.70)	45 (1.77)	99 (3.91)	120 (4.74)
25	38 (1.49)	22 (0.87)	5 (0.19)	10 (0.38)	3 (0.12)	29 (1.13)	32 (1.25)	19 (0.75)	51 (2.00)	7 (0.27)	69 (2.70)	46 (1.81)	102 (4.00)	123 (4.83)
32	41.5 (1.63)	22 (0.87)	5 (0.19)	13 (0.50)	3 (0.12)	29 (1.13)	35 (1.38)	19 (0.75)	54 (2.12)	7 (0.27)	71 (2.78)	43 (1.69)	120 (4.72)	141 (5.55)
40	59 (2.31)	35 (1.38)	6 (0.25)	16 (0.62)	3 (0.12)	38 (1.50)	47 (1.86)	25 (1.00)	67 (2.62)	7 (0.27)	78 (3.06)	49 (1.93)	122 (4.81)	151 (5.94)
50	64.5 (2.52)	35 (1.38)	6 (0.25)	19 (0.75)	6 (0.25)	38 (1.50)	54 (2.12)	25 (1.00)	76 (3.00)	7 (0.27)	90 (3.53)	53 (2.09)	143 (5.63)	172 (6.76)
63	80 (3.17)	44 (1.75)	6 (0.25)	19 (0.75)	6 (0.25)	38 (1.50)	54 (2.12)	25 (1.00)	76 (3.00)	7 (0.27)	90 (3.53)	52 (2.05)	143 (5.63)	172 (6.76)
80	96 (3.77)	51 (2.00)	13 (0.50)	28 (1.09)	6 (0.25)	64 (2.50)	72 (2.84)	38 (1.50)	104 (4.09)	11 (0.42)	108 (4.25)	64 (2.52)	173 (6.82)	218 (8.57)
100	115 (4.54)	60 (2.37)	13 (0.50)	32 (1.25)	6 (0.25)	70 (2.75)	76 (3.00)	44 (1.75)	108 (4.25)	14 (0.55)	108 (4.25)	66 (2.60)	189 (7.44)	240 (9.44)

* Ports are M5 for cushioned versions, metric
 † Ports are 10-32 for cushioned versions, inch

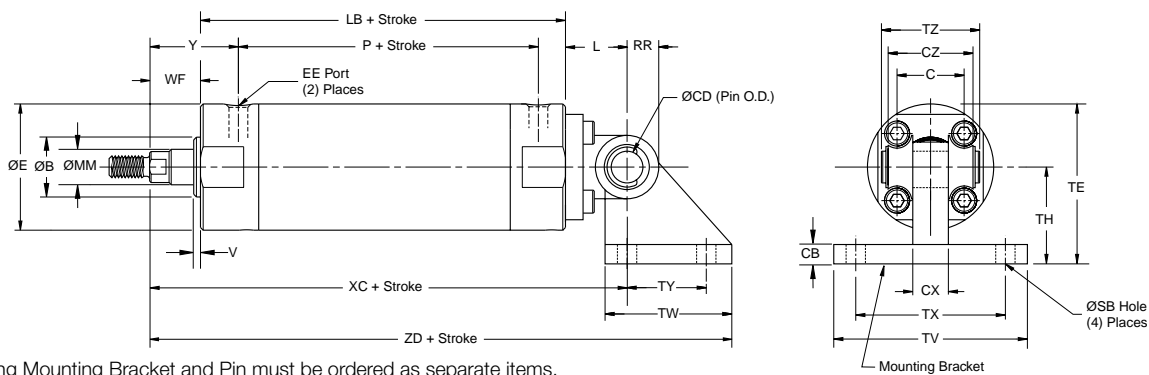


Style A - Double Rear Clevis

Typical 20 to 63 mm bore



Typical 80 to 100 mm bore



Note: Mating Mounting Bracket and Pin must be ordered as separate items.

Style A, envelope and mounting dimensions – mm (inch)

Bore size	ØB	C	CB	ØCD	CZ	CX	ØE	EE	L	ØMM	RR	V	WF
	+0 -0.02 (+0 -0.001)			d 9 (-0.001 -0.003)				BSPT (NPTF)		rod dia.			
20	12 (0.472)	14 (0.55)	3 (0.12)	8 (0.315)	29 (1.14)	–	27 (1.06)	1/8* (1/8†)	14 (0.55)	8 (0.315)	11 (0.43)	2 (0.08)	13 (0.50)
25	14 (0.551)	16.5 (0.65)	3 (0.12)	10 (0.394)	33 (1.30)	–	32 (1.26)	1/8* (1/8†)	16 (0.63)	10 (0.394)	13 (0.51)	2 (0.08)	16 (0.62)
32	18 (0.709)	20 (0.79)	4.5 (0.18)	12 (0.472)	40 (1.57)	–	39 (1.53)	1/8 (1/8)	20 (0.79)	12 (0.472)	15 (0.59)	2 (0.08)	22 (0.88)
40	25 (0.984)	26 (1.02)	4.5 (0.18)	14 (0.551)	49 (1.93)	–	48.5 (1.91)	1/8 (1/8)	22 (0.87)	16 (0.630)	18 (0.71)	2 (0.08)	22 (0.88)
50	30 (1.181)	32 (1.26)	6 (0.25)	16 (0.630)	60 (2.36)	–	59 (2.32)	1/4 (1/4)	25 (0.98)	20 (0.787)	20 (0.79)	2 (0.08)	30 (1.19)
63	32 (1.260)	38 (1.50)	8 (0.31)	18 (0.709)	74 (2.91)	–	72 (2.83)	1/4 (1/4)	30 (1.18)	20 (0.787)	22 (0.87)	2 (0.08)	30 (1.19)
80	40 (1.575)	50 (1.97)	11 (0.43)	18 (0.709)	56 (2.20)	28 (1.10)	90 (3.54)	3/8 (3/8)	35 (1.38)	25 (0.984)	18 (0.71)	3 (0.12)	31 (1.22)
100	50 (1.968)	60 (2.36)	12 (0.47)	22 (0.866)	64 (2.52)	32 (1.26)	110 (4.33)	1/2 (1/2)	43 (1.69)	32 (1.260)	22 (0.87)	3 (0.12)	31 (1.22)

Bore size	ØSB	TY	TV	TE	TH	TX	TW	TZ	Y	Add Stroke			
										LB	P	XC	ZD
20	5.5 (0.22)	28 (1.10)	35 (1.39)	38 (1.50)	25 (0.98)	16 (0.63)	42 (1.66)	43.4 (1.71)	28 (1.10)	69 (2.70)	45 (1.77)	95 (3.75)	116 (4.58)
25	5.5 (0.22)	28 (1.10)	39 (1.55)	45.5 (1.79)	30 (1.18)	20 (0.79)	42 (1.66)	48 (1.89)	30 (1.18)	69 (2.70)	46 (1.81)	100 (3.95)	121 (4.78)
32	7 (0.28)	28 (1.10)	49 (1.93)	54 (2.13)	35 (1.38)	22 (0.87)	48 (1.88)	59.4 (2.34)	40 (1.57)	71 (2.78)	43 (1.69)	113 (4.45)	137 (5.39)
40	7 (0.28)	30 (1.18)	58 (2.28)	63.5 (2.50)	40 (1.57)	30 (1.18)	56 (2.20)	71.4 (2.81)	42 (1.65)	78 (3.06)	49 (1.93)	122 (4.81)	150 (5.91)
50	9 (0.35)	36 (1.42)	72 (2.83)	79 (3.11)	50 (1.97)	36 (1.42)	64 (2.52)	86 (3.38)	53 (2.09)	90 (3.53)	53 (2.09)	145 (5.70)	177 (6.96)
63	11 (0.43)	46 (1.81)	90 (3.54)	96 (3.78)	60 (2.36)	46 (1.81)	74 (2.91)	105.4 (4.15)	53 (2.09)	90 (3.53)	52 (2.05)	150 (5.90)	187 (7.36)
80	11 (0.43)	45 (1.77)	110 (4.33)	100 (3.94)	55 (2.17)	85 (3.35)	72 (2.83)	64 (2.52)	59 (2.32)	108 (4.25)	64 (2.52)	174 (6.85)	232.5 (9.15)
100	13.5 (0.53)	60 (2.36)	130 (5.12)	120 (4.72)	65 (2.56)	100 (3.94)	93 (3.66)	72 (2.83)	57 (2.24)	108 (4.25)	66 (2.60)	182 (7.17)	258.5 (10.18)

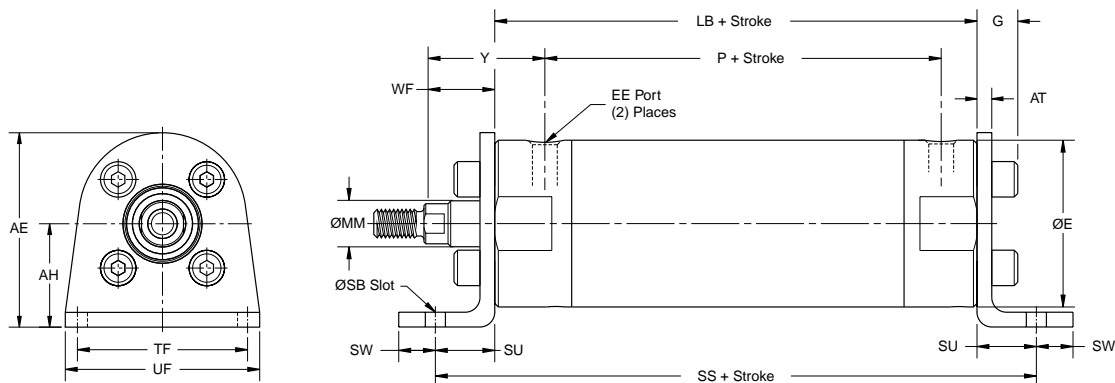
* Ports are M5 for cushioned versions, metric

† Ports are 10-32 for cushioned versions, inch



Style F - Foot Mount

Typical 20 to 100 mm bore



Style F, envelope and mounting dimensions – mm (inch)

Bore size	AE	AH	AT	ØE	EE (BSPT)	G	ØMM rod dia.	ØSB
20	36.5 (1.44)	20.6 (0.81)	3 (0.12)	27 (1.06)	1/8* (1/8†)	6 (0.20)	8 (0.315)	7 (0.27)
25	38.5 (1.52)	20.6 (0.81)	3 (0.12)	32 (1.26)	1/8* (1/8†)	6.5 (0.22)	10 (0.394)	7 (0.27)
32	46.5 (1.83)	25.4 (1.00)	3 (0.12)	39 (1.53)	1/8 (1/8)	6.5 (0.22)	12 (0.472)	7 (0.28)
40	51 (2.02)	25.4 (1.00)	3 (0.12)	48.5 (1.91)	1/8 (1/8)	7 (0.25)	16 (0.630)	7 (0.28)
50	72 (2.84)	38.1 (1.50)	6 (0.25)	59 (2.32)	1/4 (1/4)	11 (0.41)	20 (0.787)	9 (0.34)
63	83.5 (3.29)	44.5 (1.75)	6 (0.25)	72 (2.83)	1/4 (1/4)	12 (0.44)	20 (0.787)	9 (0.34)
80	101 (3.98)	55 (2.17)	6 (0.25)	90 (3.54)	3/8 (3/8)	12 (0.44)	25 (0.984)	11 (0.43)
100	121 (4.76)	65 (2.56)	6 (0.25)	110 (4.33)	1/2 (1/2)	13 (0.50)	32 (1.260)	14 (0.55)

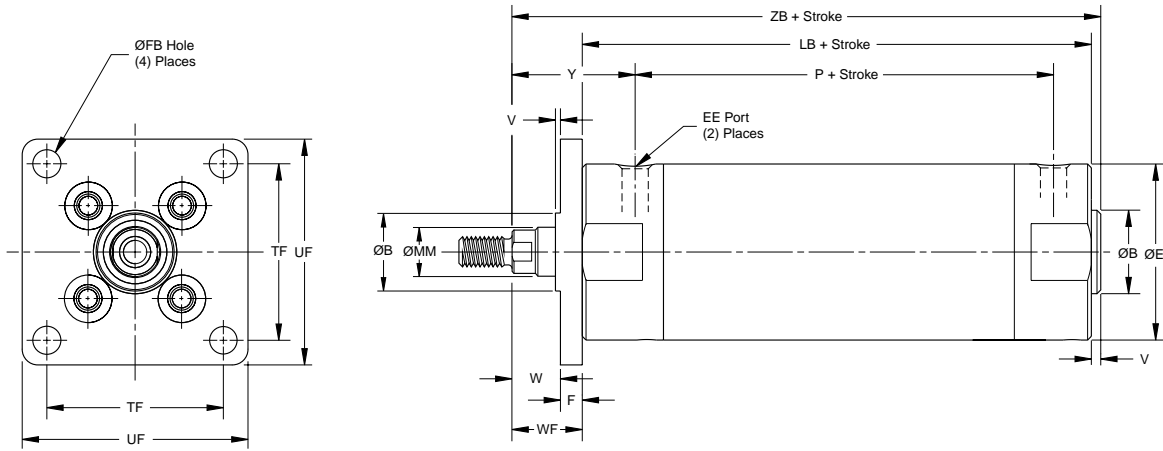
Bore size	SU	SW	TF	UF	WF	Y	Add stroke		
							LB	P	SS
20	14 (0.56)	11 (0.44)	38 (1.50)	48 (1.88)	13 (0.50)	28 (1.10)	69 (2.70)	45 (1.77)	97 (3.82)
25	14 (0.56)	11 (0.44)	38 (1.50)	48 (1.88)	16 (0.62)	30 (1.18)	69 (2.70)	46 (1.81)	97 (3.82)
32	19 (0.75)	19 (0.75)	48 (1.88)	63.5 (2.50)	22 (0.88)	40 (1.57)	71 (2.78)	43 (1.69)	109 (4.28)
40	18 (0.72)	20 (0.78)	48 (1.88)	63.5 (2.50)	22 (0.88)	42 (1.65)	78 (3.06)	49 (1.93)	114 (4.50)
50	25 (1.00)	16 (0.62)	57 (2.24)	79 (3.12)	30 (1.19)	53 (2.09)	90 (3.53)	53 (2.09)	140 (5.53)
63	25 (1.00)	16 (0.62)	73 (2.88)	95 (3.75)	30 (1.19)	53 (2.09)	90 (3.53)	52 (2.05)	140 (5.53)
80	28.5 (1.12)	14 (0.55)	100 (3.94)	125 (4.92)	31 (1.22)	59 (2.32)	108 (4.25)	64 (2.52)	165 (6.49)
100	30 (1.18)	16 (0.63)	120 (4.72)	150 (5.91)	31 (1.22)	57 (2.24)	108 (4.25)	66 (2.60)	168 (6.61)

* Ports are M5 for cushioned versions, metric
 † Ports are 10-32 for cushioned versions, inch



Style J - Front Flange

Typical 20 to 100 mm bore



Style J, envelope and mounting dimensions – mm (inch)

Bore size	ØB		EE (BSPT)	F	ØFB	ØMM rod dia.	TF	UF	V	WF	W	Y
	+0	-0.02										
20	12 (0.472)	27 (1.06)	1/8* (1/8†)	6 (0.24)	5.5 (0.22)	8 (0.315)	28 (1.10)	40 (1.57)	2 (0.08)	13 (0.50)	7 (0.26)	28 (1.10)
25	14 (0.551)	32 (1.26)	1/8* (1/8†)	7 (0.28)	5.5 (0.22)	10 (0.394)	32 (1.26)	44 (1.73)	2 (0.08)	16 (0.62)	9 (0.34)	30 (1.18)
32	18 (0.709)	39 (1.53)	1/8 (1/8)	7 (0.28)	7 (0.28)	12 (0.472)	38 (1.50)	53 (2.09)	2 (0.08)	22 (0.88)	15 (0.60)	40 (1.57)
40	25 (0.984)	48.5 (1.91)	1/8 (1/8)	8 (0.31)	7 (0.28)	16 (0.630)	46 (1.81)	61 (2.40)	2 (0.08)	22 (0.88)	14 (0.57)	42 (1.65)
50	30 (1.181)	59 (2.32)	1/4 (1/4)	9 (0.35)	9 (0.35)	20 (0.787)	58 (2.28)	76 (3.00)	2 (0.08)	30 (1.19)	21 (0.84)	53 (2.09)
63	32 (1.260)	72 (2.83)	1/4 (1/4)	9 (0.35)	11 (0.43)	20 (0.787)	70 (2.76)	92 (3.62)	2 (0.08)	30 (1.19)	21 (0.84)	53 (2.09)
80	40 (1.575)	90 (3.54)	3/8 (3/8)	11 (0.43)	11 (0.43)	25 (0.984)	82 (3.23)	104 (4.09)	3 (0.12)	31 (1.22)	20 (0.79)	59 (2.32)
100	50 (1.968)	110 (4.33)	1/2 (1/2)	14 (0.55)	14 (0.55)	32 (1.260)	100 (3.94)	128 (5.04)	3 (0.12)	31 (1.22)	17 (0.67)	57 (2.24)

Bore size	Add stroke		
	LB	P	ZB
20	69 (2.70)	45 (1.77)	83 (3.28)
25	69 (2.70)	46 (1.81)	86 (3.40)
32	71 (2.78)	43 (1.69)	95 (3.74)
40	78 (3.06)	49 (1.93)	102 (4.02)
50	90 (3.53)	53 (2.09)	122 (4.80)
63	90 (3.53)	52 (2.05)	122 (4.80)
80	108 (4.25)	64 (2.52)	142 (5.59)
100	108 (4.25)	66 (2.60)	142 (5.59)

* Ports are M5 for cushioned versions, metric
 † Ports are 10-32 for cushioned versions, inch

B

Round Body Cylinders
Actuator Products

SR/SM/SRD/SRDM
Series

SRX
Series

P1L
Series

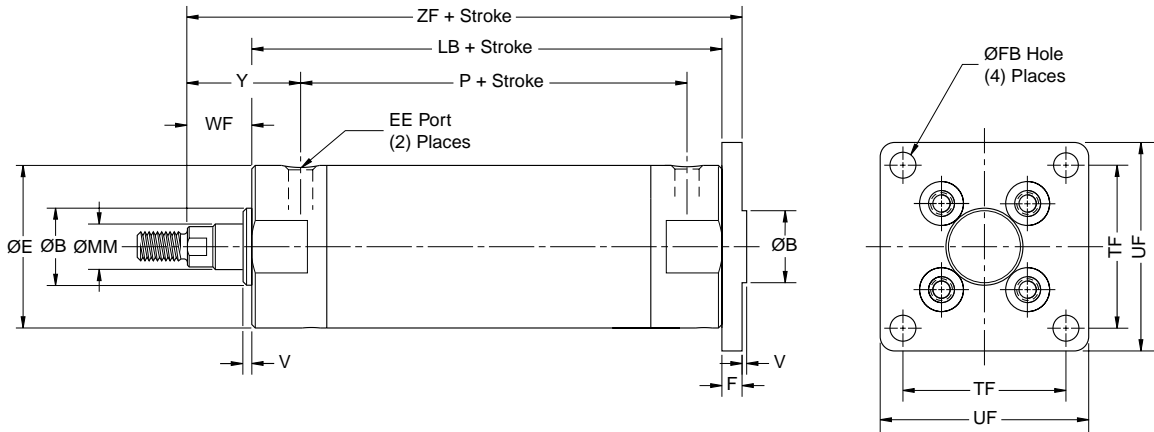
P1A
Series

P
Series



Style H - Rear Flange

Typical 20 to 100 mm bore



Style H, envelope and mounting dimensions – mm (inch)

Bore size	ØB +0 -0.02	ØE	EE (BSPT)	F	ØFB	ØMM rod dia.	TF	UF	V	WF	Y
20	12 (0.472)	27 (1.06)	1/8* (1/8†)	6 (0.24)	5.5 (0.22)	8 (0.315)	28 (1.10)	40 (1.57)	2 (0.08)	13 (0.50)	28 (1.10)
25	14 (0.551)	32 (1.26)	1/8* (1/8†)	7 (0.28)	5.5 (0.22)	10 (0.394)	32 (1.26)	44 (1.73)	2 (0.08)	16 (0.62)	30 (1.18)
32	18 (0.709)	39 (1.53)	1/8 (1/8)	7 (0.28)	7 (0.28)	12 (0.472)	38 (1.50)	53 (2.09)	2 (0.08)	22 (0.88)	40 (1.57)
40	25 (0.984)	48.5 (1.91)	1/8 (1/8)	8 (0.31)	7 (0.28)	16 (0.630)	46 (1.81)	61 (2.40)	2 (0.08)	22 (0.88)	42 (1.65)
50	30 (1.181)	59 (2.32)	1/4 (1/4)	9 (0.35)	9 (0.35)	20 (0.787)	58 (2.28)	76 (3.00)	2 (0.08)	30 (1.19)	53 (2.09)
63	32 (1.260)	72 (2.83)	1/4 (1/4)	9 (0.35)	11 (0.43)	20 (0.787)	70 (2.76)	92 (3.62)	2 (0.08)	30 (1.19)	53 (2.09)
80	40 (1.575)	90 (3.54)	3/8 (3/8)	11 (0.43)	11 (0.43)	25 (0.984)	82 (3.23)	104 (4.09)	3 (0.12)	31 (1.22)	59 (2.32)
100	50 (1.968)	110 (4.33)	1/2 (1/2)	14 (0.55)	14 (0.55)	32 (1.260)	100 (3.94)	128 (5.04)	3 (0.12)	31 (1.22)	57 (2.24)

Bore size	Add stroke		
	LB	P	ZF
20	69 (2.70)	45 (1.77)	87 (3.44)
25	69 (2.70)	46 (1.81)	91 (3.60)
32	71 (2.78)	43 (1.69)	100 (3.94)
40	78 (3.06)	49 (1.93)	108 (4.25)
50	90 (3.53)	53 (2.09)	129 (5.07)
63	90 (3.53)	52 (2.05)	129 (5.07)
80	108 (4.25)	64 (2.52)	150 (5.91)
100	108 (4.25)	66 (2.60)	153 (6.02)

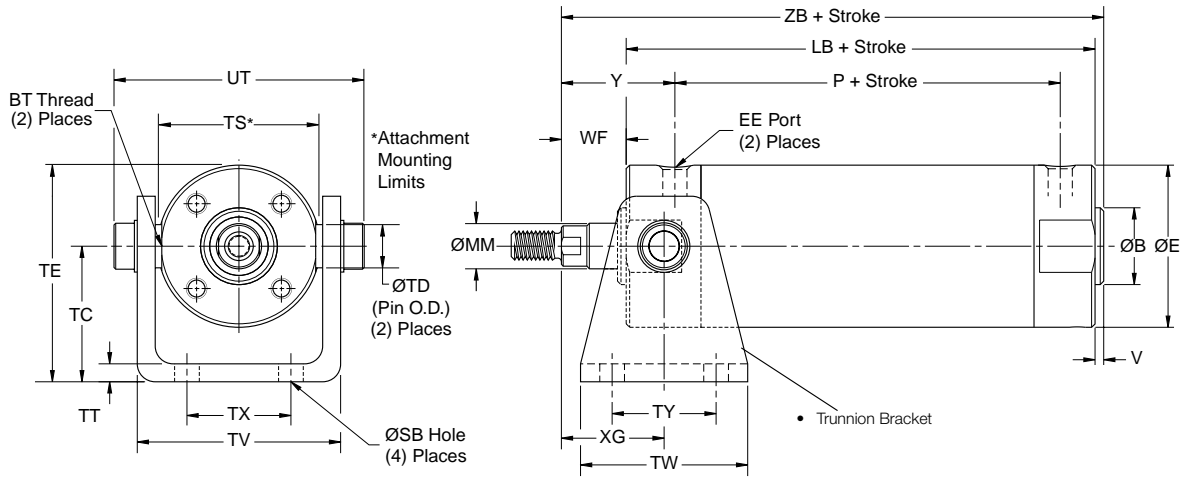
* Ports are M5 for cushioned versions, metric
 † Ports are 10-32 for cushioned versions, inch

B
 Round Body Cylinders
 Actuator Products
 SR/SW/SRD/SRDM
 Series
 SRX
 Series
 P1L
 Series
 P1A
 Series
 P
 Series



Style E - Front Trunnion

Typical 20 to 63 mm bore



Note: Trunnion Bracket must be ordered as separate item

Style E, envelope and mounting dimensions – mm (inch)

Bore size	ØB		BT	D	ØE	EE (BSPT)	ØMM rod dia.	V	WF	XG	Y	ØSB	TC
	+0	-0.02											
20	12	(0.472)	M5x0.80	6	(0.24)	1/8* (1/8†)	8	2	13	24	28	5.5	25
25	14	(0.551)	M6x0.75	8	(0.31)	1/8* (1/8†)	10	2	16	27	30	5.5	30
32	18	(0.709)	M8x1.00	10	(0.39)	1/8 (1/8)	12	2	22	33	40	7	35
40	25	(0.984)	M10x1.25	12	(0.47)	1/8 (1/8)	16	2	22	34	42	7	40
50	30	(1.181)	M12x1.25	16	(0.63)	1/4 (1/4)	20	2	30	43	53	9	50
63	32	(1.260)	M14x1.50	16	(0.63)	1/4 (1/4)	20	2	30	43	53	11	60

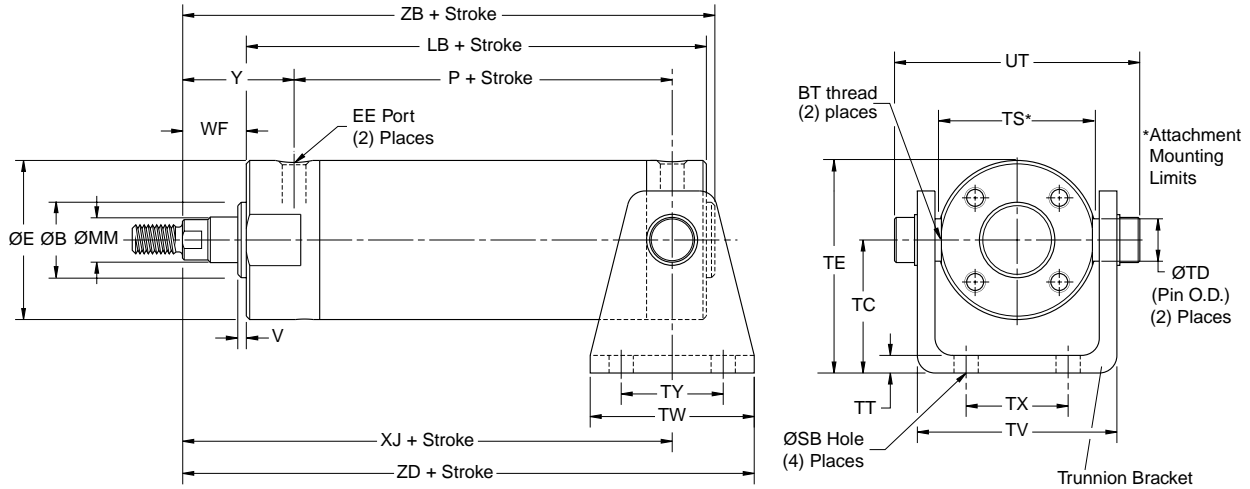
Bore size	ØTD e8	TE	TS	TT	TV	TW	TX	TY	UT	Add stroke		
										LB	P	ZB
20	8	38.5	28	3	35	42	16	28	47.5	69	45	83
25	10	46	33	3	39	42	20	28	53	69	46	86
32	12	54.5	40	4.5	49	48	22	28	68	71	43	95
40	14	64	49	4.5	58	56	30	30	79	78	49	102
50	16	79.5	60	6	72	64	36	36	99	90	53	122
63	18	96	74	8	90	74	46	46	119	90	52	122

* Ports are M5 for cushioned versions, metric
 † Ports are 10-32 for cushioned versions, inch



Style D - Rear Trunnion

Typical 20 to 63 mm bore



Note: Trunnion Bracket must be ordered as separate item

Style D, envelope and mounting dimensions – mm (inch)

Bore size	ØB	BT	ØE	EE (BSPT)	ØMM rod dia.	V	WF	Y	ØSB	TC	ØTD e8	TE
	+0 -0.02											
20	12 (0.472)	M5x0.80	27 (1.06)	1/8* (1/8†)	8 (0.315)	2 (0.08)	13 (0.50)	28 (1.10)	5.5 (0.22)	25 (0.98)	8 (0.315)	38.5 (1.51)
25	14 (0.551)	M6x0.75	32 (1.26)	1/8* (1/8†)	10 (0.394)	2 (0.08)	16 (0.62)	30 (1.18)	5.5 (0.22)	30 (1.18)	10 (0.394)	46 (1.81)
32	18 (0.709)	M8x1.00	39 (1.53)	1/8 (1/8)	12 (0.472)	2 (0.08)	22 (0.88)	40 (1.57)	7 (0.28)	35 (1.38)	12 (0.472)	54.5 (2.15)
40	25 (0.984)	M10x1.25	48.5 (1.91)	1/8 (1/8)	16 (0.630)	2 (0.08)	22 (0.88)	42 (1.65)	7 (0.28)	40 (1.57)	14 (0.551)	64 (2.53)
50	30 (1.181)	M12x1.25	59 (2.32)	1/4 (1/4)	20 (0.787)	2 (0.08)	30 (1.19)	53 (2.09)	9 (0.35)	50 (1.97)	16 (0.630)	79.5 (3.13)
63	32 (1.260)	M14x1.50	72 (2.83)	1/4 (1/4)	20 (0.787)	2 (0.08)	30 (1.19)	53 (2.09)	11 (0.43)	60 (2.36)	18 (0.709)	96 (3.78)

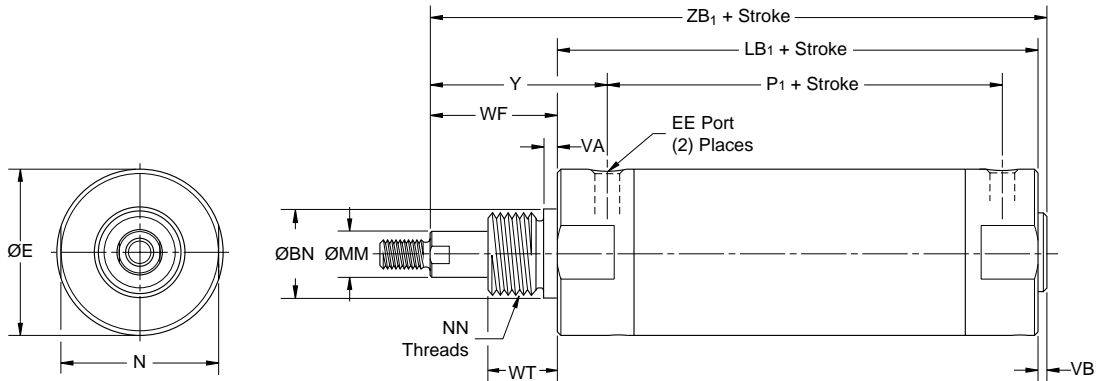
Bore size	Add stroke											
	TS	TT	TV	TW	TX	TY	UT	LB	P	XJ	ZB	ZD
20	28 (1.10)	3 (0.12)	35 (1.39)	42 (1.66)	16 (0.63)	28 (1.10)	47.5 (1.87)	69 (2.70)	45 (1.77)	70 (2.77)	83 (3.28)	91 (3.60)
25	33 (1.30)	3 (0.12)	39 (1.55)	42 (1.66)	20 (0.79)	28 (1.10)	53 (2.09)	69 (2.70)	46 (1.81)	73 (2.89)	86 (3.40)	94 (3.72)
32	40 (1.58)	4.5 (0.18)	49 (1.93)	48 (1.88)	22 (0.87)	28 (1.10)	68 (2.67)	71 (2.78)	43 (1.69)	83 (3.27)	95 (3.74)	107 (4.21)
40	49 (1.93)	4.5 (0.18)	58 (2.28)	56 (2.20)	30 (1.18)	30 (1.18)	79 (3.10)	78 (3.06)	49 (1.93)	90 (3.54)	102 (4.02)	118 (4.64)
50	60 (2.36)	6 (0.25)	72 (2.83)	64 (2.52)	36 (1.42)	36 (1.42)	99 (3.88)	90 (3.53)	53 (2.09)	108 (4.25)	122 (4.80)	140 (5.51)
63	74 (2.91)	8 (0.31)	90 (3.54)	74 (2.91)	46 (1.81)	46 (1.81)	119 (4.69)	90 (3.53)	52 (2.05)	108 (4.25)	122 (4.80)	145 (5.71)

* Ports are M5 for cushioned versions, metric
 † Ports are 10-32 for cushioned versions, inch



Style G - Nose Mount

Typical 20 to 25 mm bore



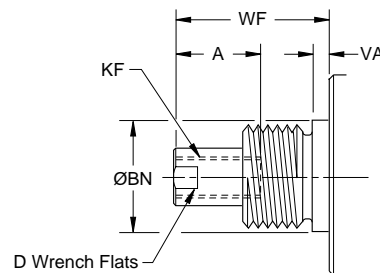
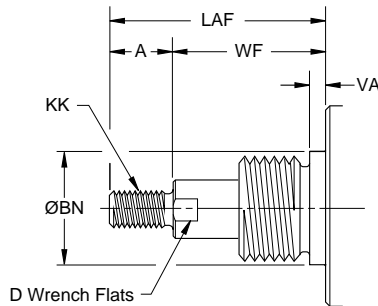
Rod end details – 20 and 25 mm bore

Male threads

Inch male - Style N
 Metric male - Style 5

Female threads

Inch female - Style 9
 Metric female - Style 6



Special rod end threads

Thread style 3

Special metric or inch threads, extension, blank, etc., are also available. To order, specify "Style 3" and give desired dimensions for KK or KF, A and LAF or WF (length dimensions in millimeters). If otherwise special, supply a dimensioned sketch.

Style G, envelope and mounting dimensions – mm (inch)

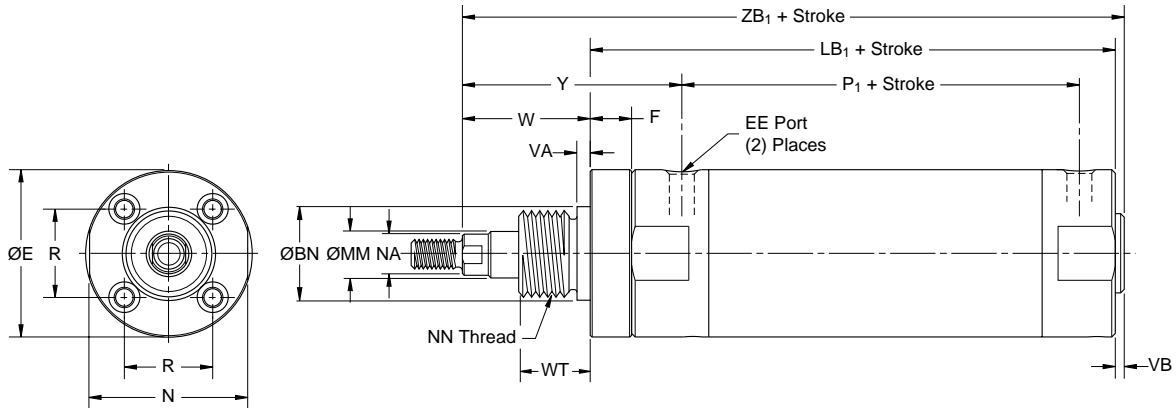
Bore size	A	BN +0 -0.08	D	ØE	EE (BSPT)	Thread KK Style 5	Thread KF Style 6	ØMM rod dia.	LAF	NN	N	VA	VB	WF	WT	Y	Add stroke		
																	LB ¹	P ¹	ZB ¹
20	13 (0.50)	19.02 (0.749)	6 (0.24)	27 (1.06)	1/8* (1/8†)	M8x1.25 (1/4-28)	M5x0.80 (#10-32)	35 (1.38)	8 (0.315)	3/4-16 (3/4-16)	24 (0.94)	3 (0.12)	2 (0.08)	22 (0.88)	16 (0.63)	32 (1.25)	66 (2.60)	47 (1.85)	90 (3.56)
25	13 (0.50)	19.02 (0.749)	8 (0.31)	32 (1.26)	1/8* (1/8†)	M10x1.25 (5/16-24)	M6x1.00 (1/4-28)	35 (1.38)	10 (0.394)	3/4-16 (3/4-16)	29 (1.14)	3 (0.12)	2 (0.08)	22 (0.88)	16 (0.63)	32 (1.25)	66 (2.60)	47 (1.85)	90 (3.56)

* Ports are M5 for cushioned versions, metric

† Ports are 10-32 for cushioned versions, inch

Style G - Nose Mount

Typical 32 to 63mm bore



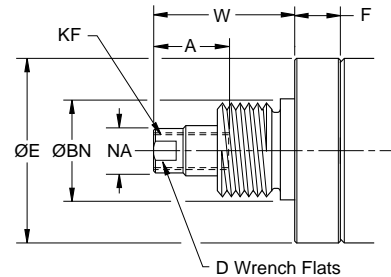
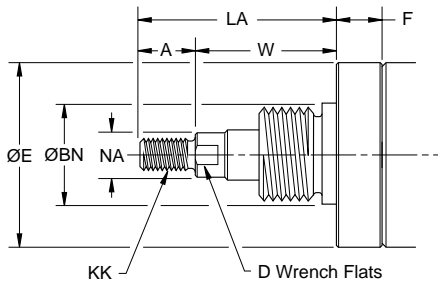
Rod end details – 32 to 63mm bore

Male threads

Inch male - Style N
Metric male - Style 5

Female threads

Inch female - Style 9
Metric female - Style 6



Special rod end threads

Thread style 3

Special metric or inch threads, extension, blank, etc., are also available. To order, specify "Style 3" and give desired dimensions for KK or KF, A and LAF or WF (Note: LAF = LA+F and WF = W+F), (length dimensions in millimeters). If otherwise special, supply a dimensioned sketch.

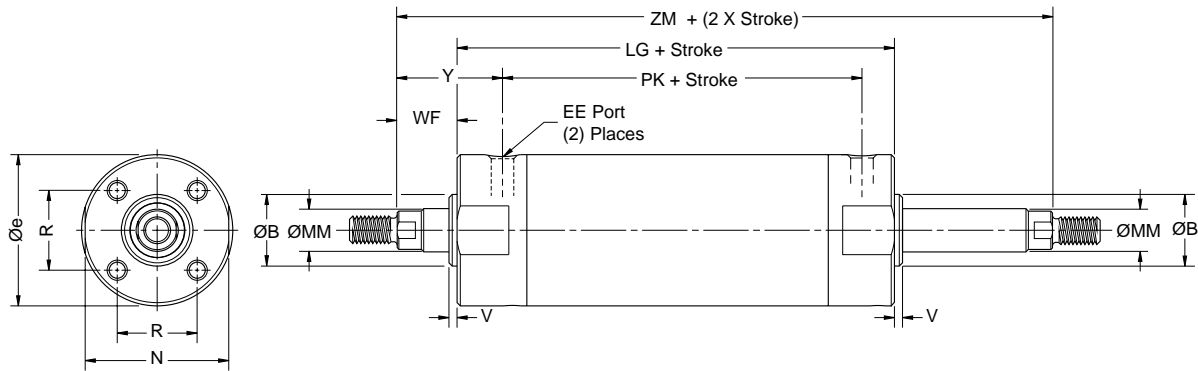
Style G, envelope and mounting dimensions – mm (inch)

Bore size	A	BN +0 -0.8	D	ØE	EE* (BSPT)	F	Thread KK Style 5	Thread KF Style 6	LA	ØMM rod dia.	NN	N	NA	R	VA	VB	W	WT	Y	Add stroke		
																				LB ¹	P ¹	ZB ¹
32	19 (0.75)	19.02 (0.749)	10 (0.39)	39 (1.53)	1/8 (1/8)	9 (0.37)	M10x1.25 (7/16-20)	M8x1.25 (5/16-24)	41 (1.63)	12 (0.472)	3/4-16 (3/4-16)	36 (1.42)	11 (0.43)	20 (0.79)	3 (0.12)	2 (0.08)	22 (0.88)	16 (0.63)	49 (1.93)	80 (3.15)	43 (1.69)	104 (4.11)
40	19 (0.75)	26.87 (1.058)	12 (0.47)	48.5 (1.91)	1/8 (1/8)	14 (0.56)	M14x1.5 (7/16-20)	M8x1.25 (3/8-24)	51 (2.00)	16 (0.630)	1-14 (1-14)	44 (1.73)	14 (0.55)	26 (1.02)	5 (0.19)	2 (0.08)	32 (1.25)	22 (0.88)	66 (2.60)	92 (3.62)	49 (1.93)	126 (4.95)
50	22 (0.88)	34.90 (1.374)	16 (0.63)	59 (2.32)	1/4 (1/4)	15 (0.59)	M18x1.5 (1/2-20)	M10x1.25 (1/2-20)	52 (2.07)	20 (0.787)	1-1/4-12 (1-1/4-12)	55 (2.17)	18 (0.71)	32 (1.26)	3 (0.12)	2 (0.08)	30 (1.19)	20.5 (0.81)	68 (2.68)	105 (4.12)	53 (2.09)	137 (5.39)
63	22 (0.88)	38.10 (1.500)	16 (0.63)	72 (2.83)	1/4 (1/4)	16 (0.63)	M18x1.5 (1/2-20)	M10x1.25 (1/2-20)	52 (2.07)	20 (0.787)	1-3/8-12 (1-3/8-12)	69 (2.72)	18 (0.71)	38 (1.50)	3 (0.12)	2 (0.08)	30 (1.19)	20.5 (0.81)	70 (2.76)	106 (4.19)	52 (2.05)	139 (5.46)

* See Metric Dimensions for BSPT Port Size.
See Inch Dimensions for NPTF Port Size.

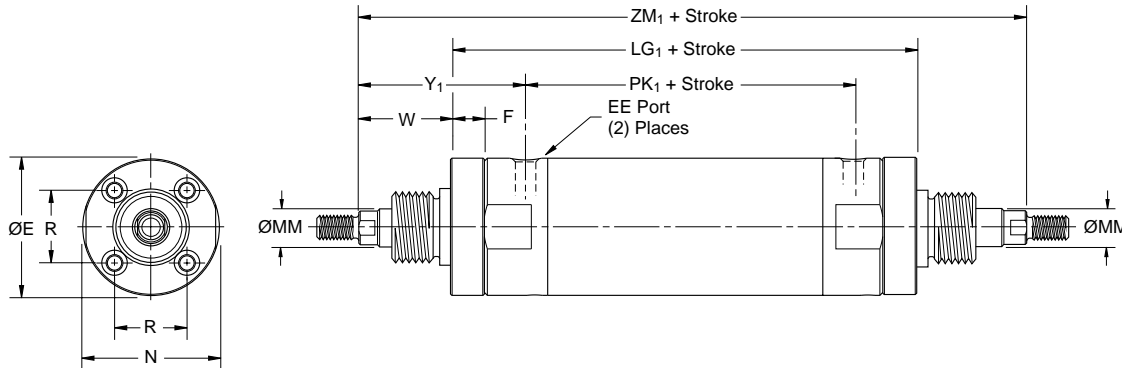
Double-Rod

Typical 20 to 100mm bore



Double-Rod

Nose Mount (32 to 63mm bore)



For detailed dimensions for the nose mount from 20 to 63 mm bore, please reference previous pages.

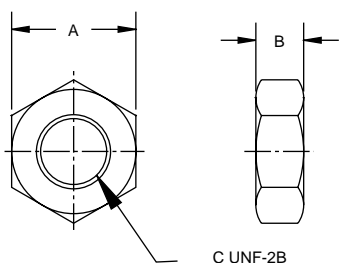
Double rod, envelope and mounting dimensions – mm (inch)

Bore size	ØB		F	EE (BSPT)	ØMM rod dia.			Add stroke										
	+0	-0.02			ØE	N	R	V	W	WF	Y	Y1	LG	LG1	PK	PK1	ZM	ZM1
20	12	27	-	1/8* (1/8†)	8	24	14	2	-	13	28	32	75	70	45	50	101	95
	(0.472)	(1.06)			(0.315)	(0.94)	(0.55)	(0.08)		(0.50)	(1.10)	(1.25)	(2.97)	(2.74)	(1.77)	(1.97)	(3.97)	(3.74)
25	14	32	-	1/8* (1/8†)	10	29	16.5	2	-	16	30	32	75	70	47	50	107	101
	(0.551)	(1.26)			(0.394)	(1.14)	(0.65)	(0.08)		(0.62)	(1.18)	(1.25)	(2.97)	(2.74)	(1.85)	(1.97)	(4.21)	(3.98)
32	18	39	9	1/8 (1/8)	12	36	20	2	22	22	40	49	78	97	42	42	122	141
	(0.709)	(1.53)	(0.37)		(0.472)	(1.42)	(0.79)	(0.08)	(0.88)	(0.88)	(1.57)	(1.93)	(3.06)	(3.80)	(1.65)	(1.65)	(4.82)	(5.56)
40	25	48.5	14	1/8 (1/8)	16	44	26	2	32	22	42	66	87	115	47	47	131	179
	(0.984)	(1.91)	(0.56)		(0.630)	(1.73)	(1.02)	(0.08)	(1.25)	(0.88)	(1.65)	(2.60)	(3.41)	(4.53)	(1.85)	(1.85)	(5.17)	(7.03)
50	30	59	15	1/4 (1/4)	20	55	32	2	30	30	53	68	100	130	54	54	160	190
	(1.181)	(2.32)	(0.59)		(0.787)	(2.17)	(1.26)	(0.08)	(1.19)	(1.19)	(2.09)	(2.68)	(3.93)	(5.11)	(2.13)	(2.13)	(6.31)	(7.49)
63	32	72	17	1/4 (1/4)	20	69	38	2	30	30	53	70	100	133	54	54	160	194
	(1.260)	(2.83)	(0.66)		(0.787)	(2.72)	(1.50)	(0.08)	(1.19)	(1.19)	(2.09)	(2.76)	(3.93)	(5.25)	(2.13)	(2.13)	(6.31)	(7.63)
80	40	90	-	3/8 (3/8)	25	86	50	3	-	31	59	-	119	-	61	-	181	-
	(1.575)	(3.54)			(0.984)	(3.39)	(1.97)	(0.12)		(1.22)	(2.32)		(4.70)		(2.40)		(7.14)	
100	50	110	-	1/2 (1/2)	32	106	60	3	-	31	57	-	119	-	65	-	181	-
	(1.968)	(4.33)			(1.260)	(4.17)	(2.36)	(0.12)		(1.22)	(2.24)		(4.70)		(2.56)		(7.14)	

* Ports are M5 for cushioned versions, metric
 † Ports are 10-32 for cushioned versions, inch



Rod Jam Nut



Rod jam nut should be ordered separately on all mounting styles.

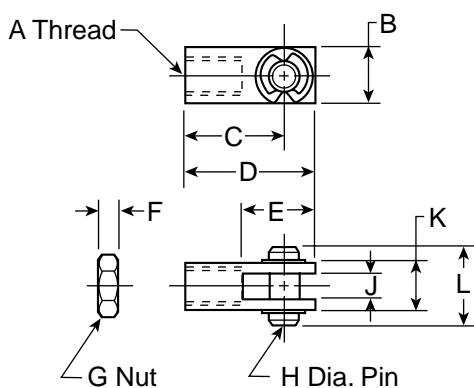
Rod Jam Nut Dimensions – mm

Bore size	A	B	C	Part number
20	13	4	M8 x 1.25	L075540008
25-32	17	5	M10 x 1.25	L075540010
40	22	7	M14 x 1.5	L075540014
50-63	27	8	M18 x 1.5	L075540018
80	32	11	M22 x 1.5	L075540022
100	41	16	M26 x 1.5	L075540026

Rod Jam Nut Dimensions – inch

Bore size	A	B	C	Part number
20	0.44	0.16	1/4-28	L077970025
25	0.50	0.19	5/16-24	L077970031
32-40	0.69	0.25	7/16-20	L077970044
50-63	0.75	0.31	1/2-20	L077970050
80	1.12	0.42	3/4 -16	L077970075
100	1.50	0.55	1-14	L077970100

Piston Rod Clevis



Piston Rod Clevis Dimensions – mm

Bore size	A	B	C	D	E	F	H h9	J	K	L	Part number
20	M8x1.25	13	24	30	18	4	6.35	6.5	13	17.5	L077590020
25	M10x1.25	19	24	30	18	5	6.35	6.5	19	24.5	L077590025
32	M10x1.25	19	34	43	24	5	9.52	10	19	26	L077590032
40	M14x1.5	19	34	43	24	7	9.52	10	19	26	L077590040
50	M18x1.5	28	34	43	24	8	9.52	10	28	36	L077590050
63	M18x1.5	28	34	43	24	8	9.52	10	28	36	L077590050
80	M22x1.5	38	50	71	48	11	18	28	56	64	PIM-4PRC
100	M26x1.5	44	55	79	55	16	22	32	63.5	72	L077590100

Piston Rod Clevis Dimensions – inch

Bore size	A	B	C	D	E	F	H	J	K +0 -0.02	L	Part number
20	1/4-28	0.50	0.94	1.19	0.69	0.16	0.250	0.26	0.50	0.69	L077960025
25	5/16-24	0.50	0.94	1.19	0.69	0.19	0.250	0.26	0.50	0.69	L077960031
32	7/16-20	0.75	1.32	1.69	0.94	0.25	0.375	0.38	0.75	1.03	L077960044
40	7/16-20	0.75	1.32	1.69	0.94	0.25	0.375	0.38	0.75	1.03	L077960044
50	1/2-20	0.75	1.32	1.69	0.94	0.31	0.375	0.38	0.75	1.03	L077960050
63	1/2-20	0.75	1.32	1.69	0.94	0.31	0.375	0.38	0.75	1.03	L077960050
80	3/4-16	1.25	1.81	2.38	1.31	0.42	0.437	0.52	1.25	1.66	L077960075
100	1-14	1.50	2.63	3.38	1.81	0.55	0.500	0.64	1.50	1.91	L077960100

B
 Round Body Cylinders
 Actuator Products
 SRX Series
 SR/SM/SRD/SRDM Series
 P1L Series
 P1A Series
 P Series



Mounting Kits & Accessories

How to order P1L mounting kits as a separate item

Bore size	Foot mounting		Flange		Trunnion / double clevis bracket	Single clevis bracket
	Inch	Metric	Inch	Metric		
20	L077440075	L077550020	L077450075	L077560020	L077510020	L077520075
25	L077440100	L077550025	L077450100	L077560025	L077510025	L077520075
32	L077440125	L077550032	L077450125	L077560032	L077510032	L077520125
40	L077440150	L077550040	L077450150	L077560040	L077510040	L077520150
50	L077440200	L077550050	L077450200	L077560050	L077510050	L077520200
63	L077440250	L077550063	L077450250	L077560063	L077510063	L077520250
80	L077440312	L077550080	L077450312	L077560080	L077510080	L077520312
100	L077440400	L077550100	L077450400	L077560100	L077510100	L077520400

Bore size	Single clevis		Double clevis		Single clevis pin	Double clevis pin
	Inch	Metric	Inch	Metric		
20	L077470075	L077570020	L077480075	L077580020	L077490075	L077500020
25	L077470100	L077570025	L077480100	L077580025	L077490075	L077500025
32	L077470125	L077570032	L077480125	L077580032	L077490125	L077500032
40	L077470150	L077570040	L077480150	L077580040	L077490150	L077500040
50	L077470200	L077570050	L077480200	L077580050	L077490200	L077500050
63	L077470250	L077570063	L077480250	L077580063	L077490200	L077500063
80	L077470312	L077570080	L077480312	L077580080	L077490312	L077500080
100	L077470400	L077570100	L077480400	L077580100	L077490400	L077500100

Notes:

- “Inch” mounting kits include inch threaded bolts, while “Metric” mounting kits include metric threaded bolts. Please verify that the kit style matches the cylinder Construction type (code “N” or “M”) for which it is intended.
- Clevis pins may be used for either Inch or Metric mounting kits.

Service kits

Bore size	Single rod cylinder repair kits		Double rod cylinder repair kits	
	Consisting of: 1 ea. Symbol #5, 7, 12, & 2 ea. Symbol #1, 8 11, 14		Consisting of: 1 ea. Symbol #5, 7, & 2 ea. Symbol #1, 8 11, 12, 14	
mm	Class 1 seals, std. service	Class 5 seals, high temp.	Class 1 seals, std. service	Class 5 seals, high temp.
	Part number	Part number	Part number	Part number
20	P1L020D001	P1L020D005	P1L020K001	P1L020K005
25	P1L025D001	P1L025D005	P1L025K001	P1L025K005
32	P1L032D001	P1L032D005	P1L032K001	P1L032K005
40	P1L040D001	P1L040D005	P1L040K001	P1L040K005
50	P1L050D001	P1L050D005	P1L050K001	P1L050K005
63	P1L063D001	P1L063D005	P1L063K001	P1L063K005
80	P1L080D001	P1L080D005	P1L080K001	P1L080K005
100	P1L100D001	P1L100D005	P1L100K001	P1L100K005

B
 Round Body Cylinders
 Actuator Products
 SR/SM/SRD/SRDM
 Series
 SRX
 Series
 P1L
 Series
 P1A
 Series
 P
 Series

