

- Economical square body compact cylinder
- 10 bore sizes available 12mm - 100mm
- 4 flexible mounting options
- Female and male rod ends available
- Bumpers standard on all models
- Magnetic and non-magnetic construction available



Operating information

Operating pressure: 10 bar (145 PSIG) maximum
Temperature range: -5°C to 60°C (23°F to 140°F)
Filtration requirements: 40 micron, dry filtered air
For technical information see CD

Metric Double Acting / Magnetic - Female Threaded Piston Rod

12mm

Stroke (mm)	Order Code
5	P1QS012DC7G0005
10	P1QS012DC7G0010
15	P1QS012DC7G0015
25	P1QS012DC7G0025
30	P1QS012DC7G0030

16mm

5	P1QS016DC7G0005
10	P1QS016DC7G0010
15	P1QS016DC7G0015
25	P1QS016DC7G0025
30	P1QS016DC7G0030

20mm

10	P1QS020DC7G0010
15	P1QS020DC7G0015
25	P1QS020DC7G0025
30	P1QS020DC7G0030
40	P1QS020DC7G0040
50	P1QS020DC7G0050

25mm

10	P1QS025DC7G0010
15	P1QS025DC7G0015
25	P1QS025DC7G0025
30	P1QS025DC7G0030
40	P1QS025DC7G0040
50	P1QS025DC7G0050

32mm

Stroke (mm)	Order Code
10	P1QS032DC7N0010
15	P1QS032DC7N0015
25	P1QS032DC7N0025
30	P1QS032DC7N0030
40	P1QS032DC7N0040
50	P1QS032DC7N0050
75	P1QS032DC7N0075
100	P1QS032DC7N0100

40mm

15	P1QS040DC7N0015
25	P1QS040DC7N0025
30	P1QS040DC7N0030
40	P1QS040DC7N0040
50	P1QS040DC7N0050
75	P1QS040DC7N0075
100	P1QS040DC7N0100

50mm

15	P1QS050DC7N0015
25	P1QS050DC7N0025
30	P1QS050DC7N0030
40	P1QS050DC7N0040
50	P1QS050DC7N0050
75	P1QS050DC7N0075
100	P1QS050DC7N0100

63mm

15	P1QS063DC7N0015
25	P1QS063DC7N0025
30	P1QS063DC7N0030
40	P1QS063DC7N0040
50	P1QS063DC7N0050
75	P1QS063DC7N0075

80mm

15	P1QS080DC7N0015
25	P1QS080DC7N0025
30	P1QS080DC7N0030
40	P1QS080DC7N0040
50	P1QS080DC7N0050
75	P1QS080DC7N0075

100mm

15	P1QS100DC7N0015
25	P1QS100DC7N0025
30	P1QS100DC7N0030
40	P1QS100DC7N0040
50	P1QS100DC7N0050
75	P1QS100DC7N0075

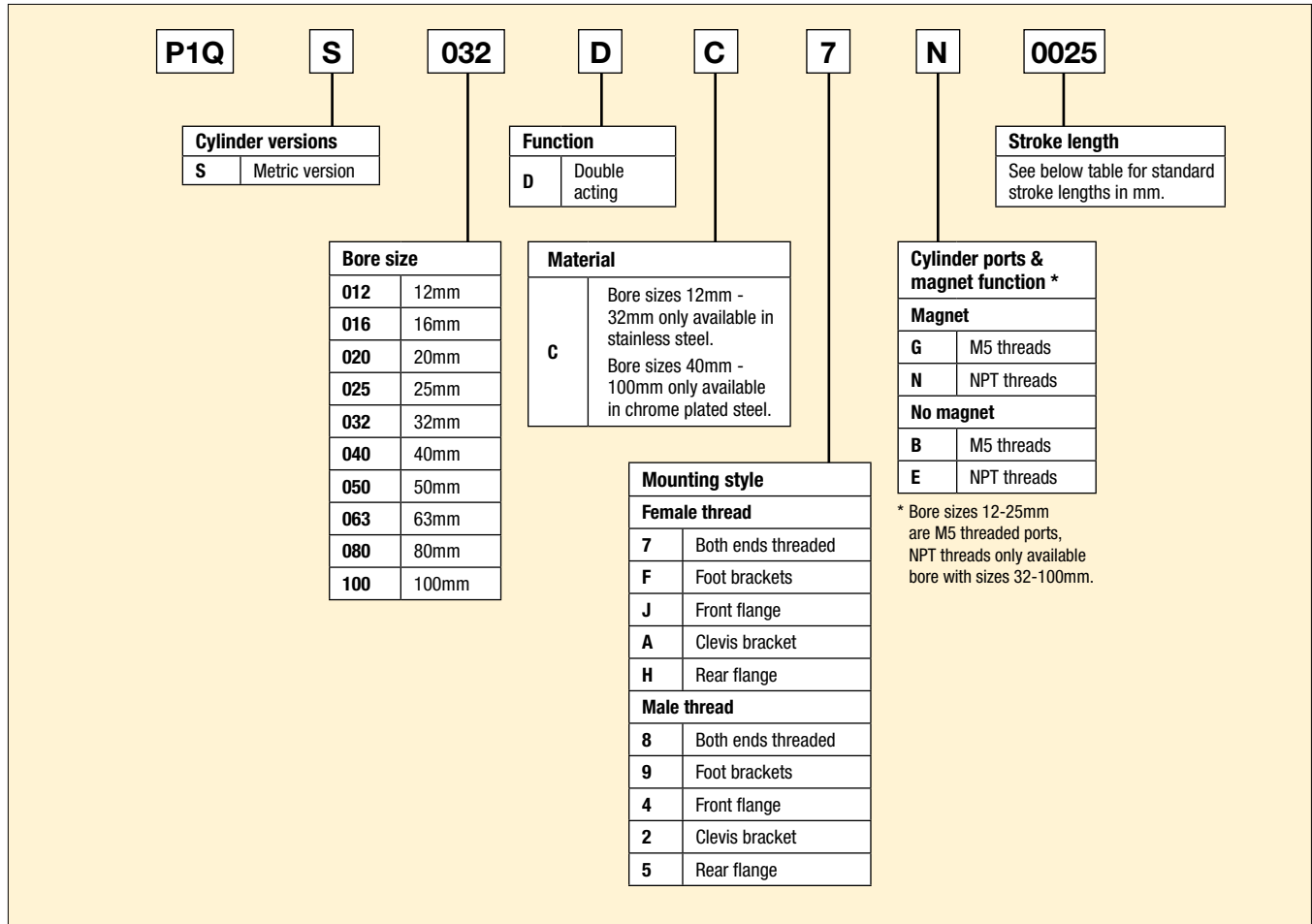
Most popular.

Sensors

For sensors see page B294.



Ordering information



B
Compact Cylinders
Actuator Products
P1Q Series
P1M Series
LP/LPM Series

Standard strokes

Bore size	5	10	15	25	30	40	50	75	100
12 - 16	•	•	•	•	•				
20 - 25		•	•	•	•	•	•		
32		•	•	•	•	•	•	•	•
40 - 50			•	•	•	•	•	•	•
63 - 100			•	•	•	•	•	•	•

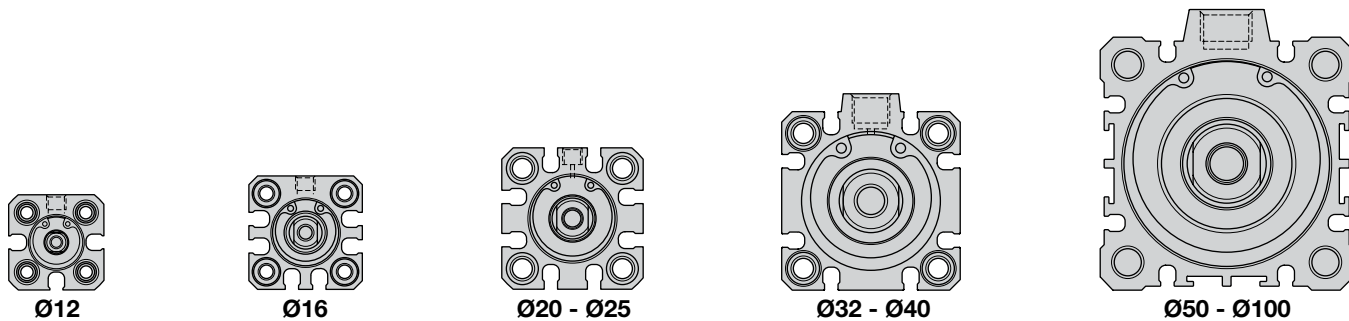
Cylinder forces, double acting variants

Cyl. bore/ pist. rod mm	Stroke piston area	cm ²	Max theoretical force in N (bar)								
			1.0	2.0	3.0	4.0	5.0	6.0	7.0	8.0	9.0
12/6	+	1.1	11	23	34	45	57	68	79	90	102
	-	0.8	8	17	25	34	42	51	59	68	76
16/8	+	2.0	20	40	60	80	101	121	141	161	181
	-	1.5	15	30	45	60	75	90	106	121	136
20/10	+	3.1	31	63	94	126	157	188	220	251	283
	-	2.4	24	47	71	94	118	141	165	188	212
25/12	+	4.9	49	98	147	196	245	295	344	393	442
	-	3.8	38	76	113	151	189	227	264	302	340
32/16	+	8.0	80	161	241	322	402	483	563	643	724
	-	6.0	60	121	181	241	302	362	422	483	543
40/16	+	12.6	126	251	377	503	628	754	880	1005	1131
	-	10.6	106	211	317	422	528	633	739	844	950
50/20	+	19.6	196	393	589	785	982	1178	1374	1571	1767
	-	16.5	165	330	495	660	825	990	1155	1319	1484
63/20	+	31.2	312	623	935	1247	1559	1870	2182	2494	2806
	-	28.0	280	561	841	1121	1402	1682	1962	2242	2523
80/25	+	50.3	503	1005	1508	2011	2513	3016	3519	4021	4524
	-	45.4	454	907	1361	1814	2268	2721	3175	3629	4082
100/32	+	78.5	785	1571	2356	3142	3927	4712	5498	6283	7069
	-	70.5	705	1410	2115	2820	3525	4230	4936	5640	6345

+ = Outward stroke
 - = Return stroke

Note:
 Select a theoretical force 50-100% larger than the force required

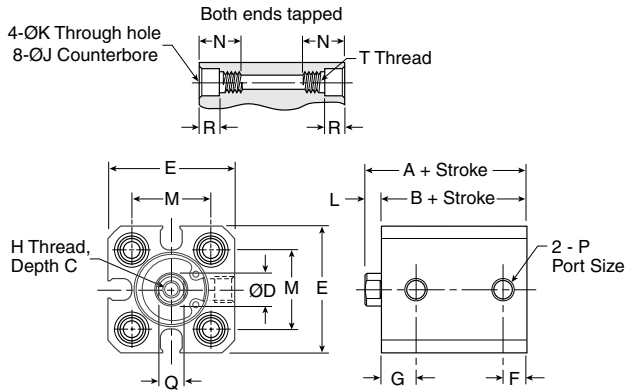
Front profiles by bore size



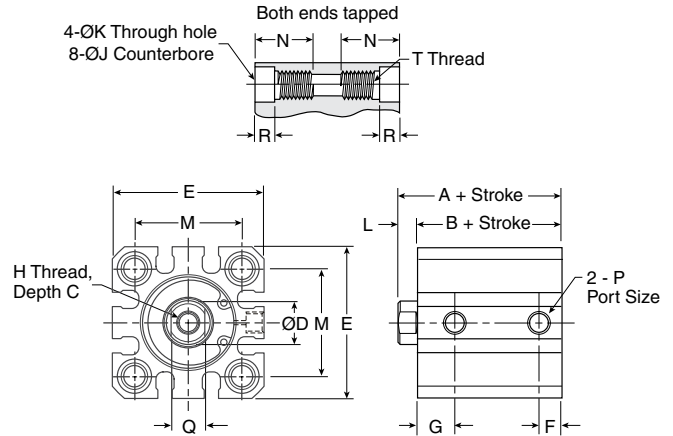
B
 Compact Cylinders
 Actuator Products
 P1Q Series
 P1M Series
 LP/LPM Series

Magnet Dimensions

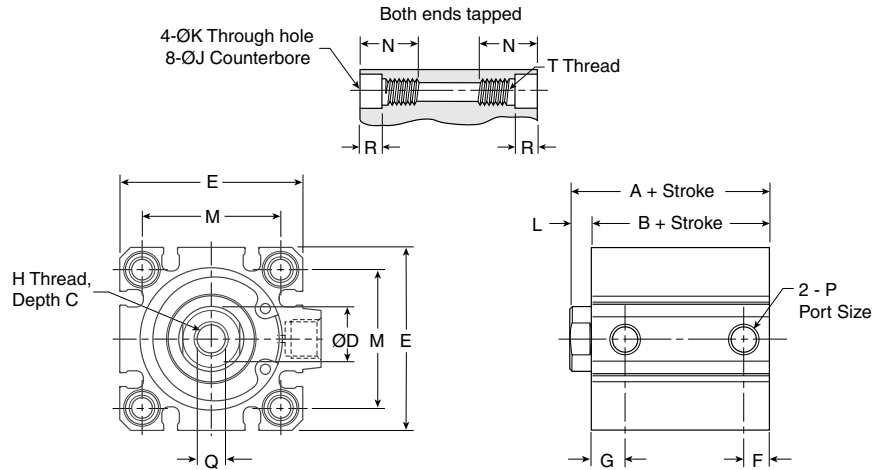
Ø12 - Ø16



Ø20 - Ø25



Ø32 - Ø100



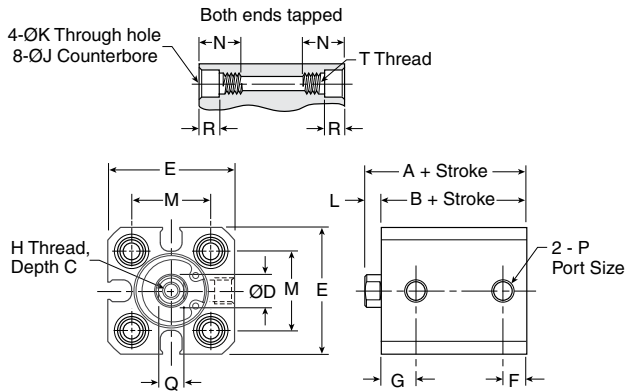
Bore size	A mm	B mm	C mm	D mm	E mm	F mm	G mm	H	J mm	K mm	L mm	M mm	N mm	P	Q mm	R mm	T
12	25.5	22	6	6	25	5	7.5	M3x0.5	6.5	3.5	3.5	15.5	11	M5x0.8	5	4	M4x0.7
16	25.5	22	8	8	29	5	7.5	M4x0.7	6.5	3.5	3.5	20	11	M5x0.8	6	4	M4x0.7
20	34	29.5	7	10	36	5.5	9	M5x0.8	9	5.4	4.5	25.5	17	M5x0.8	8	7	M6x1.0
25	37.5	32.5	12	12	40	5.5	11	M6x1.0	9	5.4	5	28	17	M5x0.8	10	7	M6x1.0
32	40	33	13	16	45	7.5	10.5	M8x1.25	9	5.5	7	34	17	1/8"	14	7	M6x1.0
40	46.5	39.5	13	16	52	8	11	M8x1.25	9	5.5	7	40	17	1/8"	14	7	M6x1.0
50	48.5	40.5	15	20	64	10.5	10.5	M10x1.5	11	6.6	8	50	22	1/4"	17	8	M8x1.25
63	54	46	15	20	77	10.5	15	M10x1.5	14	9	8	60	28.5	1/4"	17	10.5	M10x1.5
80	63.5	53.5	21	25	98	12.5	16	M16x2.0	17.5	11	10	77	35.5	3/8"	22	13.5	M12x1.75
100	75	63	27	30	117	13	23	M20x2.5	17.5	11	12	94	35.5	3/8"	27	13.5	M12x1.75

B
 Compact Cylinders
 Actuator Products
 P1Q Series
 P1M Series
 LP/LPM Series

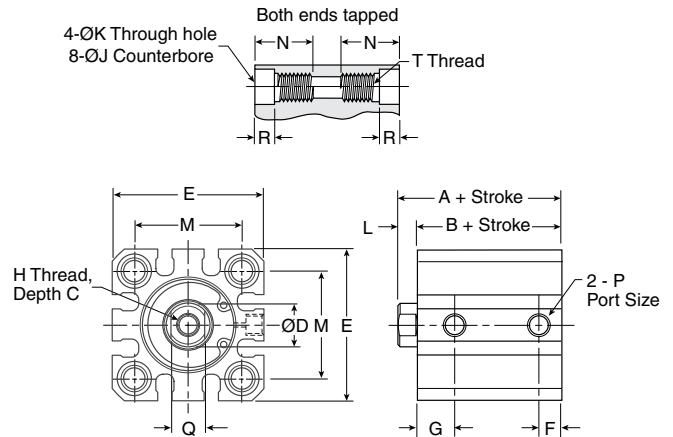


Non-magnet Dimensions

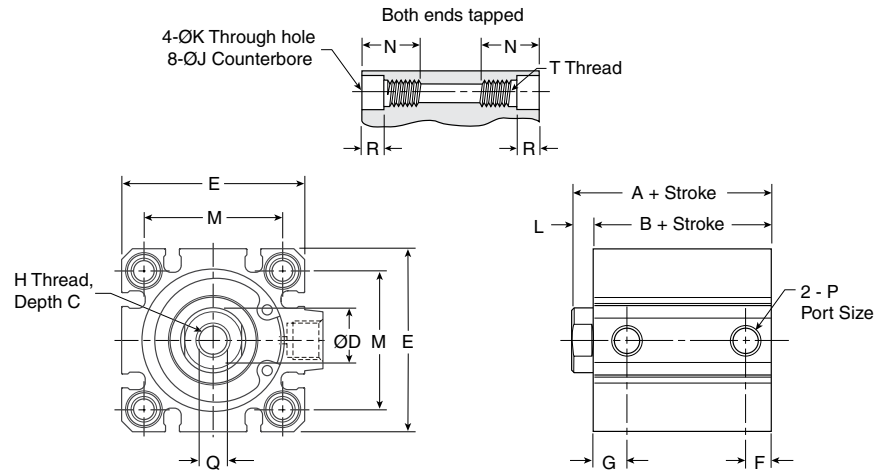
Ø12 - Ø16



Ø20 - Ø25



Ø32 - Ø100



Bore size	A		B		C mm	D mm	E mm	F mm	G mm	H	J mm	K mm	L mm	M mm	N mm	P	Q mm	R mm	T
	5 to 50mm	75 to 100mm	5 to 50mm	75 to 100mm															
12	20.5	-	17	-	6	6	25	5	7.5	M3x0.5	6.5	3.5	3.5	15.5	11	M5x0.8	5	4	M4x0.7
16	20.5	-	17	-	8	8	29	5	7.5	M4x0.7	6.5	3.5	3.5	20	11	M5x0.8	6	4	M4x0.7
20	24	-	19.5	-	7	10	36	5.5	9	M5x0.8	9	5.4	4.5	25.5	17	M5x0.8	8	7	M6x1.0
25	27.5	-	22.5	-	12	12	40	5.5	11	M6x1.0	9	5.4	5	28	17	M5x0.8	10	7	M6x1.0
32	30	40	23	33	13	16	45	7.5	10.5	M8x1.25	9	5.5	7	34	17	1/8"	14	7	M6x1.0
40	36.5	46.5	29.5	39.5	13	16	52	8	11	M8x1.25	9	5.5	7	40	17	1/8"	14	7	M6x1.0
50	38.5	48.5	30.5	40.5	15	20	64	10.5	10.5	M10x1.5	11	6.6	8	50	22	1/4"	17	8	M8x1.25
63	44	54	36	46	15	20	77	10.5	15	M10x1.5	14	9	8	60	28.5	1/4"	17	10.5	M10x1.5
80	53.5	63.5	43.5	53.5	21	25	98	12.5	16	M16x2.0	17.5	11	10	77	35.5	3/8"	22	13.5	M12x1.75
100	65	75	53	63	27	30	117	13	23	M20x2.5	17.5	11	12	94	35.5	3/8"	27	13.5	M12x1.75

B
 Compact Cylinders
 Actuator Products
 P1Q Series
 P1M Series
 LP/LPM Series



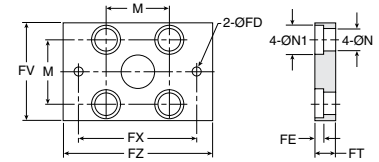
Flange Mounting – Style J, H, 4, 5



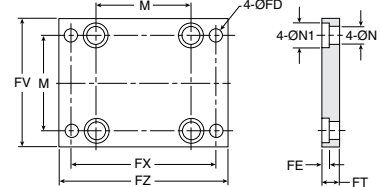
Intended for fixed mounting of cylinder. Flange can be fitted to front or rear of cylinder.

Material
 Flange: surface treated steel, black
 Supplied complete with mounting screws for attachment to cylinder.

Ø12 - Ø25



Ø32 - Ø100



Bore size	FD mm	FT mm	FV mm	FX mm	FZ mm	M mm	N mm	N1 mm	Mass kg	Part number
12	4.5	5.5	25	45	55	15.5	4.5	7.5	0.08	P1Q-4DMB
16	4.5	5.5	30	45	55	20	4.5	7.5	0.10	P1Q-4FMB
20	6.5	8	39	48	60	25.5	6.5	10.5	0.16	P1Q-4HMB
25	6.5	8	42	52	64	28	6.5	10.5	0.20	P1Q-4JMB
32	5.5	8	48	56	65	34	6.5	10.5	0.23	P1Q-4KMB
40	5.5	8	54	62	72	40	6.5	10.5	0.28	P1Q-4LMB
50	6.5	9	67	76	89	50	8.5	13.5	0.53	P1Q-4MMB
63	9	9	80	92	108	60	10.5	16.5	0.71	P1Q-4NMB
80	11	11	99	116	134	77	12.5	18.5	1.59	P1Q-4PMB
100	11	11	117	136	154	94	12.5	18.5	2.19	P1Q-4QMB

Foot Mounting – Style F, 9

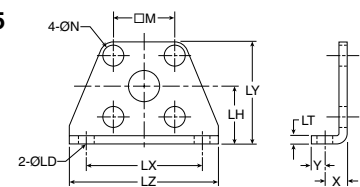


Intended for fixed mounting of cylinder. Angle bracket can be fitted to front and rear of cylinder.

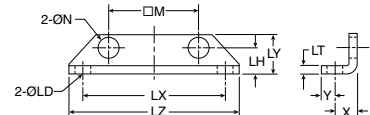
Material
 Angle bracket: surface treated steel, black
 Supplied in pairs with mounting screws for attachment to cylinder.

* Weight per item

Ø12 - Ø25



Ø32 - Ø100



Bore size	LD mm	LH mm	LT mm	LX mm	LY mm	LZ mm	X mm	Y mm	M mm	N mm	Mass kg	Part number
12	4.5	17	2	34	29.5	44	8	4.5	15.5	4.5	0.02*	P1Q-4DMF
16	4.5	19	2	38	33.5	48	8	5	20	4.5	0.02*	P1Q-4FMF
20	6.5	24	3.2	48	42	62	9.2	5.8	25.5	6.5	0.04*	P1Q-4HMF
25	6.5	26	3.2	52	46	66	10.7	5.8	28	6.5	0.05*	P1Q-4JMF
32	6.5	13	3.2	57	20	71	11.2	5.8	34	6.5	0.06*	P1Q-4KMF
40	6.5	13	3.2	64	20	78	11.2	7	40	6.5	0.08*	P1Q-4LMF
50	8.5	14	3.2	79	22	95	12.2	8	50	8.5	0.16*	P1Q-4MMF
63	10.5	16	3.2	95	26	113	13.7	9	60	10.5	0.25*	P1Q-4NMF
80	13	20.5	4.5	118	32	140	16.5	11	77	13	0.50*	P1Q-4PMF
100	13	24	6	137	36	162	23	11.5	94	13	0.85*	P1Q-4QMF

B
 Compact Cylinders
 Actuator Products
 P1Q Series
 P1M Series
 LP/LPM Series

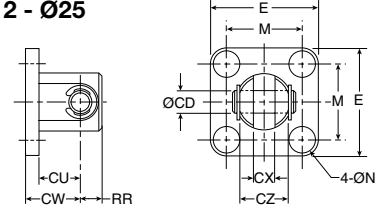
Clevis Mounting – Style A, 2



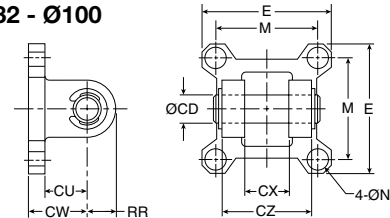
Intended for flexible mounting of cylinder. Clevis bracket can be fitted to the rear of cylinder.

Material
 Clevis bracket: surface treated steel, black
 Supplied complete with mounting screws for attachment to cylinder.

Ø12 - Ø25



Ø32 - Ø100



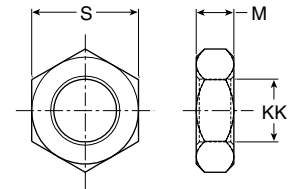
Bore size	CD mm	CU mm	CW mm	CX mm	CZ mm	N mm	RR mm	M mm	E mm	Mass kg	Part number
12	5	9.5	14	5.3	9.8	4.5	6	15.5	25	0.02	P1Q-4DMT
16	5	10.5	15	6.8	11.8	4.5	6	20	29	0.03	P1Q-4FMT
20	8	12.5	18	8.3	15.8	6.5	9	25.5	36	0.05	P1Q-4HMT
25	10	14.5	20	10.3	19.8	6.5	10	28	40	0.06	P1Q-4JMT
32	10	14.5	20	18.3	35.8	6.5	10	34	45.5	0.08	P1Q-4KMT
40	10	15	22	18.3	35.8	6.5	10	40	53.5	0.11	P1Q-4LMT
50	14	20	28	22.3	43.8	8.5	14	50	64.5	0.14	P1Q-4MMT
63	14	21	30	22.3	43.8	10.5	14	60	77.5	0.29	P1Q-4NMT
80	18	28	38	28.3	55.8	12.5	18	77	98.5	0.36	P1Q-4PMT
100	22	32	45	32.3	63.8	12.5	22	94	117.5	0.64	P1Q-4QMT

Jam Nut



Intended for fixed mounting of accessories to the piston rod.

Materials
 Galvanized steel
 Cylinders supplied with galvanized nut.



Bore size	KK	M	S	Mass kg	Part number
12	M5x0.8	2.7	18	0.002	L075540005
16	M6x1.0	3.2	10	0.002	L075540006
20	M8x1.25	4	13	0.005	L075540008
25	M10x1.25	5	17	0.007	L075540010
32	M14x1.5	7	22	0.010	L075540014
40	M14x1.5	7	22	0.010	L075540014
50	M18x1.5	8	27	0.021	L075540018
63	M18x1.5	8	27	0.021	L075540018
80	M22x1.5	11	32	0.040	L075540022
100	M26x1.5	16	41	0.040	L075540026

B

Compact Cylinders
Actuator Products

P1Q
Series

P1M
Series

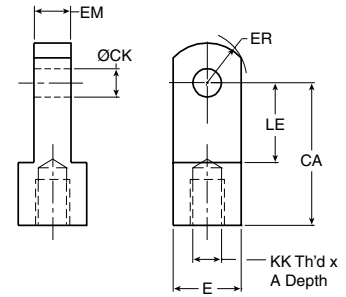
LP/LPM
Series

Rod Eye



Rod eye for articulated mounting of cylinder.
 Rod eye can be combined with clevis bracket.
 Maintenance-free.

Material
 Rod eye, nut: galvanized steel



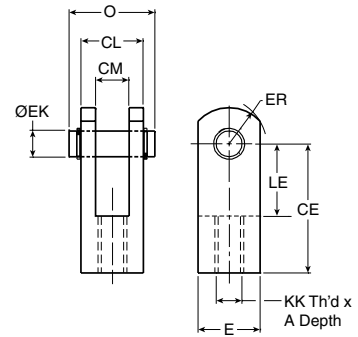
Bore size	A	E	CA	KK	ER	LE	CK	EM	Mass kg	Part number
12	7	9.5 Sq.	16	M5x0.8	6.5	7	5	5	0.03	P1M-4DRE
16	8	11 Sq.	25	M6x1.0	8	14	5	6.5	0.03	P1M-4FRE
20	8.5	16 Sq.	25	M8x1.25	10.5	11.5	8	8	0.05	P1M-4HRE
25	10.5	19 Sq.	30	M10x1.25	13	14	10	10	0.07	P1M-4JRE
32	14	22 Dia.	30	M14x1.5	12	14	10	18	0.08	P1M-4LRE
40	14	22 Dia.	30	M14x1.5	12	14	10	18	0.12	P1M-4LRE
50	18.5	28 Dia.	40	M18x1.5	16	20	14	22	0.25	P1M-4MRE
63	18.5	28 Dia.	40	M18x1.5	16	20	14	22	0.25	P1M-4MRE
80	22	38 Dia.	50	M22x1.5	21	27	18	28	0.25	P1M-4PRE

Rod Clevis



Clevis for articulated mounting of cylinder.

Material
 Clevis, clip, nut: galvanized steel
 Pin: hardened steel



Bore size	A	E	CE	KK	ER	LE	EK (h9)	CM	CL	O	Mass kg	Part number
12	7	9.5	16	M5x0.8	6.5	7	5	5	9.5	14.5	0.02	P1M-4DRC
16	11	11	21	M6x1.0	8	10	5	6.5	11	16.5	0.02	P1M-4FRC
20	8.5	16	25	M8x1.25	10.5	11.5	8	8	16	21	0.05	P1M-4HRC
25	10.5	19	30	M10x1.25	13	14	10	10	19	25.5	0.09	P1M-4JRC
32	16	22 Dia.	30	M14x1.25	12	14	10	18	36	41.5	0.09	P1M-4LRC
40	16	22 Dia.	30	M14x1.25	12	14	10	18	36	41.5	0.15	P1M-4LRC
50	20	28 Dia.	40	M18x1.5	16	20	14	22	44	50.5	0.35	P1M-4MRC
63	20	28 Dia.	40	M18x1.5	16	20	14	22	44	50.5	0.35	P1M-4MRC
80	23	38 Dia.	50	M22x1.5	21	27	18	28	56	64	0.75	P1M-4PRC

B
 Compact Cylinders
 Actuator Products
 P1Q Series
 P1M Series
 LP/LPM Series

