

- Single or double vane rotary actuator
- 3 standard rotations: 90°, 180°, or 270°
- Output torque @ 0.7 MPa:  
 16 to 1120 N•cm (1.4 to 99 in-lb)
- Internal bumpers are standard
- Shock absorbers are available for high inertia loads



**Operating information**

Operating pressure: 100 PSIG  
 Temperature range: -5°C to 80°C (-23°F to 176°F)  
 Filtration requirements: 40 micron, dry filtered air  
 For technical information see CD

**Ordering information**

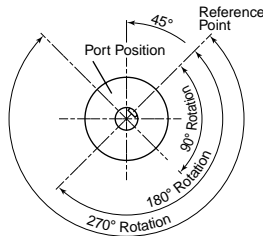
<b>PRNA</b>	<b>20</b>	<b>S - 90 - 90 S</b>																				
<table border="1"> <tr><th>Type</th></tr> <tr><td>PRNA</td><td>Sizes 1-20</td></tr> <tr><td>PRN</td><td>Sizes 30-800</td></tr> </table>	Type	PRNA	Sizes 1-20	PRN	Sizes 30-800	<table border="1"> <tr><th>Size</th></tr> <tr><td>1</td></tr> <tr><td>3</td></tr> <tr><td>10</td></tr> <tr><td>20</td></tr> <tr><td>30</td></tr> <tr><td>50</td></tr> <tr><td>150</td></tr> <tr><td>300</td></tr> <tr><td>800</td></tr> </table>	Size	1	3	10	20	30	50	150	300	800	<table border="1"> <tr><th>Type</th></tr> <tr><td>S</td><td>Single vane</td></tr> <tr><td>D</td><td>Double vane</td></tr> </table>	Type	S	Single vane	D	Double vane
Type																						
PRNA	Sizes 1-20																					
PRN	Sizes 30-800																					
Size																						
1																						
3																						
10																						
20																						
30																						
50																						
150																						
300																						
800																						
Type																						
S	Single vane																					
D	Double vane																					
		<table border="1"> <tr><th>Porting</th></tr> <tr><td>Omit</td><td>Standard porting</td></tr> <tr><td>S</td><td>Rear porting (sizes 3-20 only)</td></tr> </table>	Porting	Omit	Standard porting	S	Rear porting (sizes 3-20 only)															
Porting																						
Omit	Standard porting																					
S	Rear porting (sizes 3-20 only)																					
		<table border="1"> <tr><th>Rotation angle</th></tr> <tr><td>90</td><td>90° (all sizes, single and double vane)</td></tr> <tr><td>100</td><td>100° (sizes 50 through 800, double vane only)</td></tr> <tr><td>180</td><td>180° (all sizes, single vane only)</td></tr> <tr><td>270</td><td>270° (single vane only, not available on size 1)</td></tr> <tr><td>280</td><td>280° (sizes 50 through 800, single vane only)</td></tr> </table>	Rotation angle	90	90° (all sizes, single and double vane)	100	100° (sizes 50 through 800, double vane only)	180	180° (all sizes, single vane only)	270	270° (single vane only, not available on size 1)	280	280° (sizes 50 through 800, single vane only)									
Rotation angle																						
90	90° (all sizes, single and double vane)																					
100	100° (sizes 50 through 800, double vane only)																					
180	180° (all sizes, single vane only)																					
270	270° (single vane only, not available on size 1)																					
280	280° (sizes 50 through 800, single vane only)																					
		<table border="1"> <tr><th>Oscillating reference point*</th></tr> <tr><td>40</td><td>40°</td></tr> <tr><td>45</td><td>45°</td></tr> <tr><td>90</td><td>90°</td></tr> </table>	Oscillating reference point*	40	40°	45	45°	90	90°													
Oscillating reference point*																						
40	40°																					
45	45°																					
90	90°																					

\* See specification tables for availability of rotation angle /reference point combinations for the selected model.

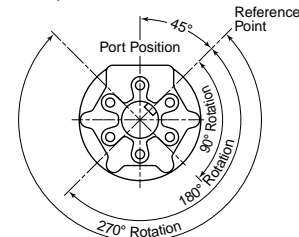
**Sensors**  
 For sensors see page B294.

**Reference point and rotation orientations**

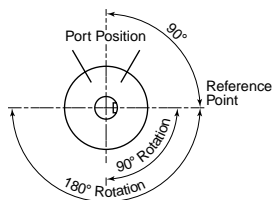
**PRNA1S/D, PRNA3S/D, PRNA10S/D PRNA20S/D, PRN30S/D**  
 Reference point at 45°



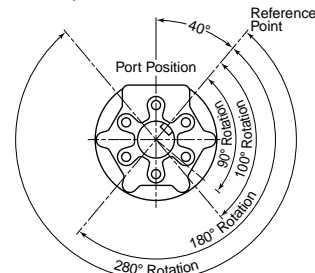
**PRN50, 150, 300, 800**  
 Reference point at 45°



**PRN1AS, PRNA3S PRNA10S, PRNA20S**  
 Reference point at 90°



**PRN50, 150, 300, 800**  
 Reference point at 40°



**Quick reference data – PRNA miniature**

Type	Model number	Theoretical output torque								Maximum breakaway pressure		Unit weight	
		0.3 MPa (45 PSI)		0.5 MPa (75 PSI)		0.7 MPa (100 PSI)		1.0 MPa (145 PSI)		MPa	PSI	kg	lb
		Ncm	(in-lb)	Ncm	(in-lb)	Ncm	(in-lb)	Ncm	(in-lb)				
Single vane	PRNA1S	8	(0.7)	13	(1.2)	19	(1.6)	—	—	0.08	(12)	0.04	(0.08)
	PRNA3S	17	(1.5)	31	(3)	45	(4.0)	—	—	0.10	(15)	0.07	(0.15)
	PRNA10S	46	(4.1)	86	(7.6)	127	(11)	—	—	0.10	(15)	0.14	(0.31)
	PRNA20S	80	(7.1)	159	(14)	240	(21)	350	(31)	0.10	(15)	0.25	(0.55)
Double vane	PRNA1D	17	(1.5)	28	(2.5)	41	(3.6)	—	—	0.10	(15)	0.04	(0.09)
	PRNA3D	32	(2.9)	54	(4.8)	76	(6.7)	—	—	0.07	(10)	0.07	(0.16)
	PRNA10D	101	(8.9)	168	(15)	235	(21)	—	—	0.07	(10)	0.15	(0.33)
	PRNA20D	165	(15)	330	(29)	530	(47)	800	(71)	0.06	(9)	0.26	(0.57)

**Quick reference data – PRN**

Type	Model number	Theoretical output torque								Maximum breakaway pressure		Unit weight	
		0.3 MPa (45 PSI)		0.5 MPa (75 PSI)		0.7 MPa (100 PSI)		1.0 MPa (145 PSI)		MPa	PSI	kg	(lb)
		Ncm	(in-lb)	Ncm	(in-lb)	Ncm	(in-lb)	Ncm	(in-lb)				
Single vane	PRN30S	180	(16)	319	(28)	480	(42)	720	(64)	0.10	(15)	0.47	(1.04)
	PRN50S	259	(23)	479	(42)	700	(62.0)	1060	(94)	0.10	(15)	0.8	(1.8)
	PRN150S	850	(75)	1500	(133)	2100	(186)	3050	(270)	0.08	(12)	2.0	(4.4)
	PRN300S	1650	(146)	2850	(252)	4050	(358)	5750	(509)	0.08	(12)	3.7	(8.2)
	PRN800S	5910	(523)	10200	(903)	14400	(1274)	20500	(1814)	0.05	(7)	13	(28)
Double vane	PRN30D	440	(39)	770	(68)	1120	(99)	1660	(147)	0.08	(12)	0.48	(1.06)
	PRN50D	579	(51)	1040	(92.0)	1510	(134)	2250	(199)	0.08	(12)	0.8	(1.8)
	PRN150D	1900	(168)	3500	(310)	4800	(425)	6900	(611)	0.06	(9)	2.0	(4.4)
	PRN300D	3900	(345)	6800	(602)	9700	(858)	1370	(121)	0.06	(9)	4.3	(9.5)
	PRN800D	12000	(1062)	20600	(1823)	28800	(2549)	41100	(3637)	0.05	(7)	13	(28)

**Kinetic energy ratings and bearing load capacities – sizes 1 to 30**

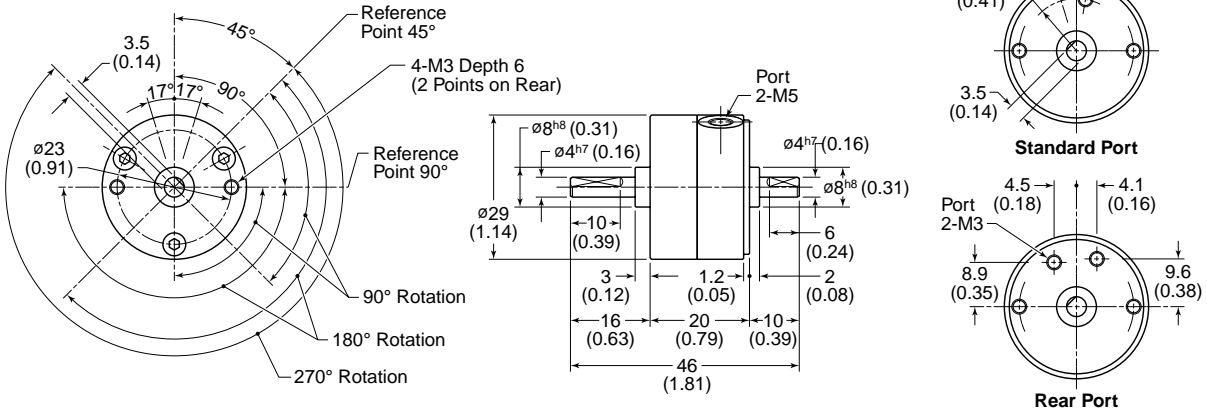
Model number	Bearing load capacities				Distance between centerline bearings		Maximum kinetic energy rating	
	Thrust load		Radial load		mm	in	mJ	in-lb
	N	lb	N	lb				
PRNA1S	1	0.2	10	2	15	0.6	0.8	0.01
PRNA3S	4	0.9	40	9	20	0.8	4	0.03
PRNA10S	4	0.9	50	11	30	1.2	8	0.07
PRNA20S	25	5.6	300	67	42	1.7	40	0.35
PRN30S	30	6.7	400	90	48	1.9	67	0.60

**Kinetic energy ratings and bearing load capacities – sizes 50 to 800**

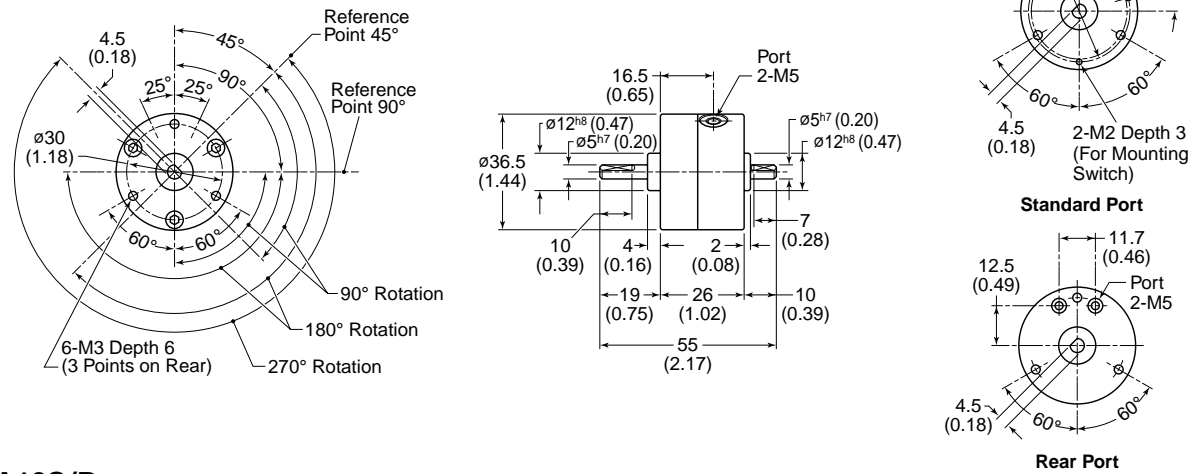
Model	Bearing load capacities						Maximum kinetic energy rating					
	Thrust load		Radial load		Distance between centerline bearings		Standard unit		Shock absorber (per cycle)		Shock absorber (per cycle)	
	N	lb	N	lb	mm	in	J	in-lb	J	in-lb	J/hr	in-lb/hr
PRN50S/D	44.1	9.9	588	132	66	2.6	0.13	1.2	7.8	69	3100	27000
PRN150S/D	88.2	19.8	1176	264	79.5	3.1	0.6	5.3	10	231	11300	100000
PRN300S/D	147	33.0	1960	441	97.5	3.8	8.0	70	20	462	22000	194000
PRN800S/D	490	110.2	4900	1102	138.5	5.5	10.5	92	156	1387	56500	500000



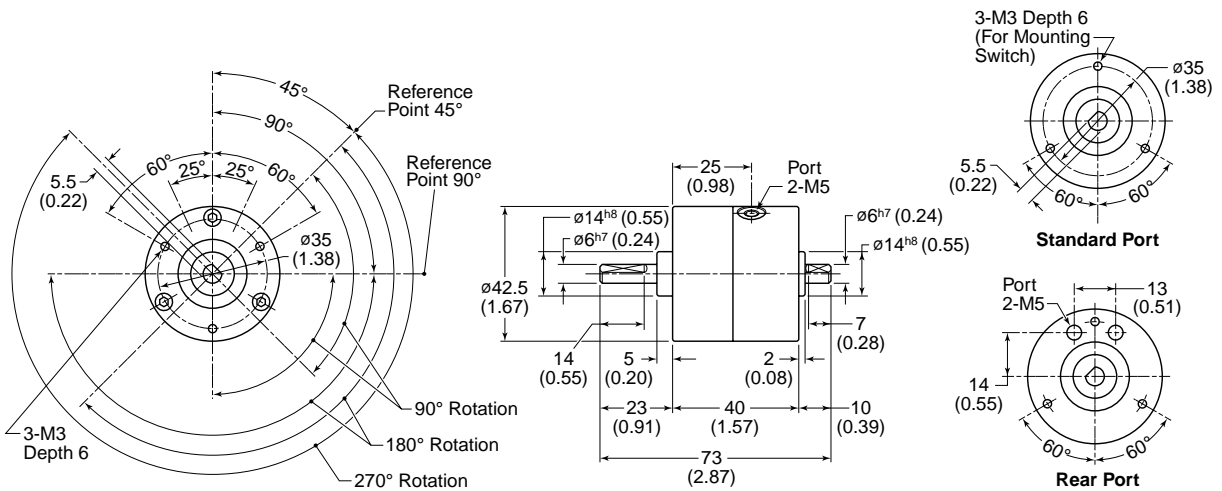
**PRNA1S**



**PRNA3S/D**



**PRNA10S/D**

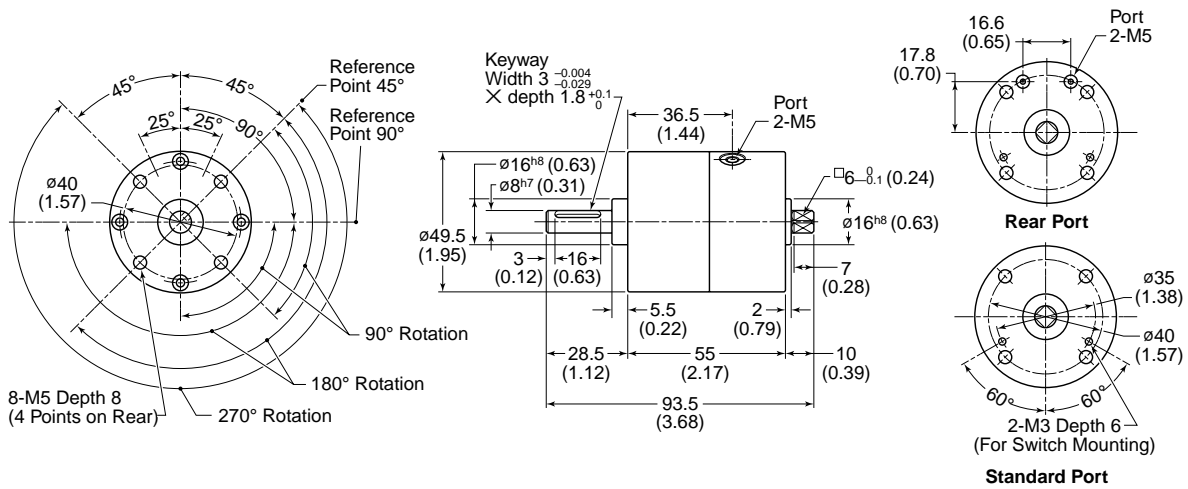


Dimensions in mm (inch)

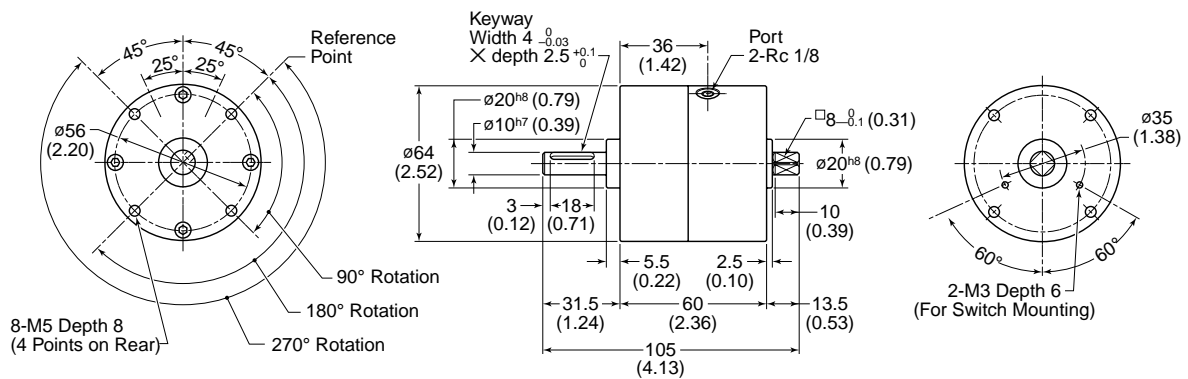
<b>B</b>	Rotary Actuators
	Actuator Products
Series	PV
Series	PRN(A)
Series	PTR
Series	HP
Series	P1V-S



**PRNA20S/D**



**PRN30S/D**



Dimensions in mm (inch)



B277

[www.comoso.com](http://www.comoso.com)

**Parker Hannifin Corporation**  
 Pneumatic Division  
 Richland, Michigan  
[www.parker.com/pneumatics](http://www.parker.com/pneumatics)

**B**

Rotary Actuators  
 Actuator Products

PV  
 Series

PRN(A)  
 Series

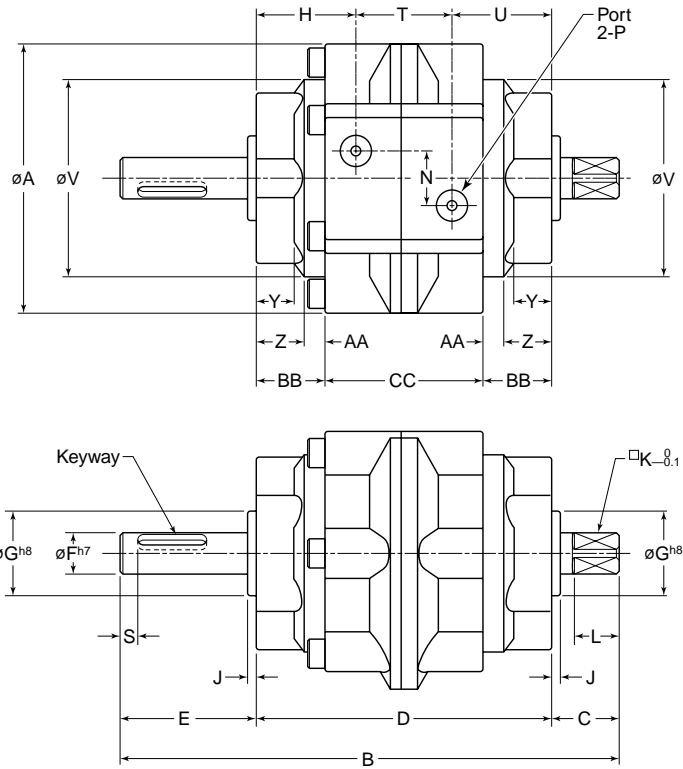
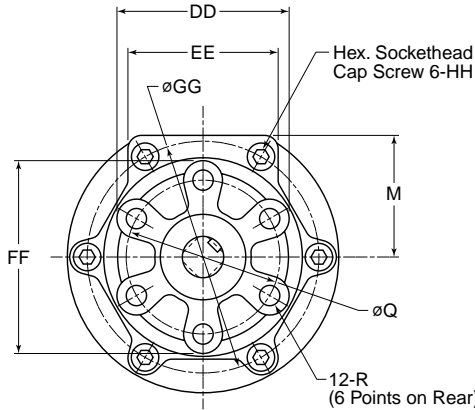
PTR  
 Series

HP  
 Series

P1V-S  
 Series

**PRN Sizes 50 to 800**

**B**  
 Rotary Actuators  
 Actuator Products  
 PV  
 Series  
 PRN(A)  
 Series  
 PTR  
 Series  
 HP  
 Series  
 P1V-S  
 Series



Dimensions in mm (inch)

Model number	A	B	C	D	E	F	G	H	J	K	L	M	N	P	Q	R	S
PRN50	79 (3.11)	145 (5.71)	19.5 (0.77)	86 (3.39)	39.5 (1.56)	12 (0.47)	25 (0.98)	29 (1.14)	2.5 (0.10)	10 (0.39)	13 (0.51)	36 (1.42)	16 (0.63)	Rc1/8	45 (1.77)	M6 x 1, Depth 9	5 (0.20)
PRN150	110 (4.33)	180 (7.09)	23.5 (0.93)	103 (4.06)	53.5 (2.11)	17 (0.67)	30 (1.18)	34.5 (1.36)	3 (0.12)	13 (0.51)	16 (0.63)	51 (2.01)	24 (0.94)	Rc1/4	70 (2.76)	M8 x 1.25, Depth 12	5 (0.20)
PRN300	141.5 (5.57)	220 (8.66)	30 (1.18)	125 (4.92)	65 (2.56)	25 (0.98)	45 (1.77)	41.5 (1.63)	3.5 (0.14)	19 (0.75)	22 (0.87)	66 (2.60)	32 (1.26)	Rc3/8	80 (3.15)	M10 x 1.5, Depth 15	5 (0.20)
PRN800	196 (7.72)	285 (11.22)	44.5 (1.75)	171 (6.73)	69.5 (2.74)	40 (1.57)	70 (2.76)	53.5 (2.11)	4.5 (0.18)	32 (1.26)	35 (1.38)	90 (3.54)	44 (1.73)	Rc1/2	120 (4.72)	M12 x 1.75, Depth 18	10 (0.39)

Model number	T	U	V	Y	Z	AA	BB	CC	DD	EE	FF	GG	HH	Keyway width x depth x length
PRN50	28 (1.10)	29 (1.14)	58 (2.28)	11 (0.43)	14 (0.55)	6 (0.24)	20 (0.79)	46 (1.81)	51 (2.01)	44 (1.73)	57 (2.24)	68 (2.68)	M5 x 30	4 <sup>0</sup> <sub>-0.03</sub> x 2.5 <sup>+0.1</sup> <sub>0</sub> x 20
PRN150	34 (1.34)	34.5 (1.36)	85.2 (3.35)	10.5 (0.41)	15.5 (0.61)	8 (0.31)	23.5 (0.93)	56 (2.20)	75 (2.95)	61 (2.40)	85 (3.35)	97 (3.82)	M6 x 35	5 <sup>0</sup> <sub>-0.03</sub> x 3 <sup>+0.1</sup> <sub>0</sub> x 36
PRN300	42 (1.65)	41.5 (1.63)	110 (4.33)	13 (0.51)	17.5 (0.69)	10 (0.39)	27.5 (1.08)	70 (2.76)	88.5 (3.48)	78 (3.07)	98.5 (3.88)	125 (4.92)	M8 x 45	7 <sup>0</sup> <sub>-0.03</sub> x 4 <sup>+0.1</sup> <sub>0</sub> x 40
PRN800	64 (2.52)	53.5 (2.11)	152 (5.98)	14.5 (0.57)	21.1 (0.83)	11.4 (0.45)	32.5 (1.28)	106 (4.17)	130 (5.12)	110 (4.33)	145 (5.71)	173 (6.81)	M12 x 70	12 <sup>0</sup> <sub>-0.043</sub> x 5 <sup>+0.2</sup> <sub>0</sub> x 40

