

Always filtrate the vacuum system to protect the components from damaging particles absorbed from the environment. Elements should be replaced periodically to prevent slower response and overall performance of the system.

Specifications

Media	Non-corrosive air
Operating vacuum	0 to 28 inHg
Maximum pressure	60 PSI
Operating temperature	32 to 140°F
Filtration	120 µm (VF-2), 130 µm (VF-3, VF-5, VF-6, VFL-44, 66, 88)



VF & VL Series Ordering Information

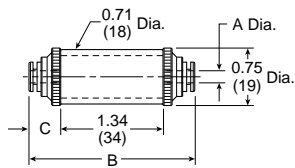
Application	Male connection	Replacement elements	Replacement cover, o-ring	Part number
CV-05, CV-10	G1/8"	VF-2E	—	VF-2G
CV-05, CV-10	G1/8"	VF-3E	VF-3K	VF-3G
CV-15, MCA-10/13	G1/4"	VF-5E	VF-3K	VF-5G
CV-20/25/30	G3/8"	VF-6E	VF-3K	VF-6G
General use	4mm - Tube	VFL-E	VFL-44K	VFL-44
General use	6mm - Tube	VFL-E	VFL-66K	VFL-66
General use	8mm - Tube	VFL-88E	VFL-88K	VFL-88

Material Specifications

Part number	Material housing	Material element	Weight (oz.)
VF-2G	Aluminum	Acrylic, Stainless steel	1.54
VF-3G	Aluminum	PC, Polyvinyl	3.10
VF-5G	Aluminum	PC, Polyvinyl	5.15
VF-6G	Aluminum	PC, Polyvinyl	8.25
VFL-44	Poly-carbonate	PC, Polyvinyl	0.67
VFL-66	Poly-carbonate	PC, Polyvinyl	0.74
VFL-88	Poly-carbonate	PC, Polyvinyl	0.81

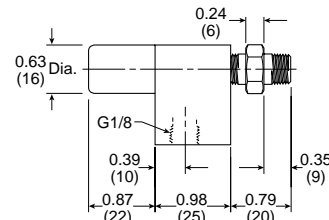
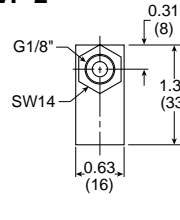
Dimensions

VFL Series

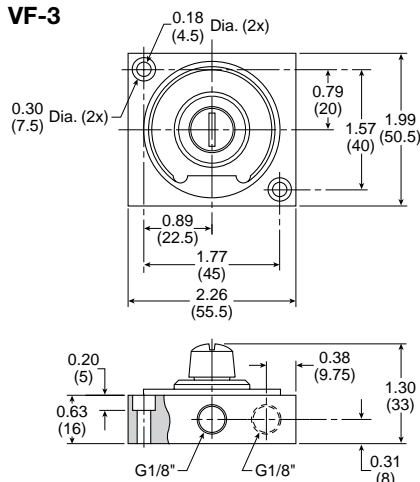


Part number	A	B	C
VFL-44	0.16 (4)	2.17 (55)	0.41 (10.5)
VFL-66	0.24 (6)	2.28 (58)	0.47 (12)
VFL-88	0.31 (8)	2.44 (62)	0.55 (14)

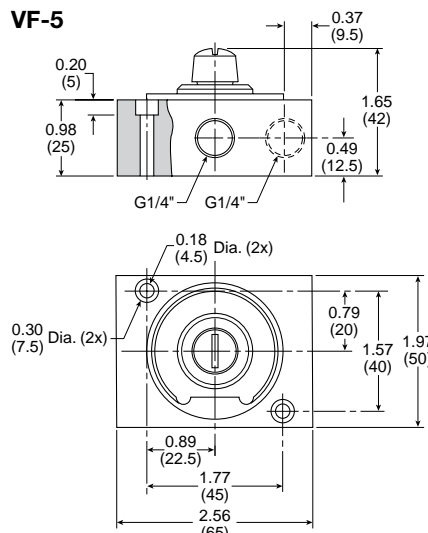
VF-2



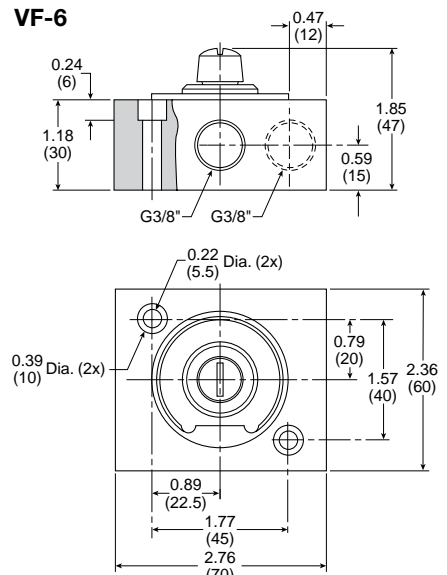
VF-3



VF-5



VF-6



Most popular.

