

Parflex Hand Pumps

Hand Pump

Part No. 82C-0HP-PFD (for use with Karrykrimp only)
Ease of operation hand pump delivers 10,000 psi.

Length 22-11/16"
Width 3-1/4"
Height 4-11/16"
Port Size 3/8" NPTF
Weight 9 lb.
Hydraulic Fluid Enerpac Oil



Hand Pump

Part No. 85C-0HP-PFD (for use with Karrykrimp and Karrykrimp 2)
Ease of operation hand pump delivers 10,000 psi.

Length 28-15/16"
Width 2-1/8"
Height 11"
Port Size 3/8" NPTF
Weight 61 lb.
Hydraulic Fluid Enerpac Oil

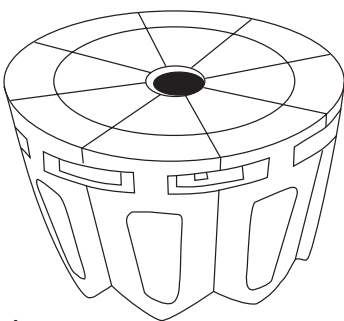


Parflex Parkrimp Dies

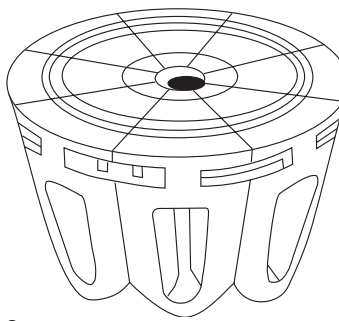
Parflex introduces the newly designed Parkrimp dies, specifically engineered for thermoplastic and TFE hose. The die segments are linked together so that there are no loose parts to handle or mismatch. Each die is well defined with identification grooves to indicate the fitting series, and is color coded to specify the fitting size.

This die is for use with the Parker Parkrimp and Karrykrimp units.

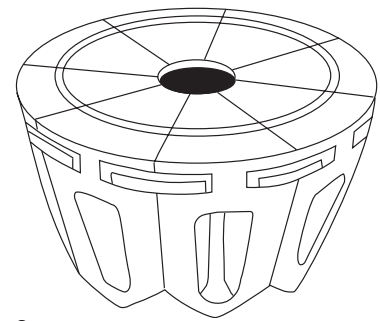
Note: Parflex dies have been designed for use with the silver die ring.



1 groove
55 series



3 grooves
91N, 93N, 92 series



2 grooves
58 series

Parkrimp silver die ring part no. 80C-R01-PFD
Karrykrimp silver die ring part no. 82C-R01-PFD
Used with all Parflex hoses

NOTE: See Swage and Crimp Die Selection Chart in Section J of this catalog for proper part number selection.